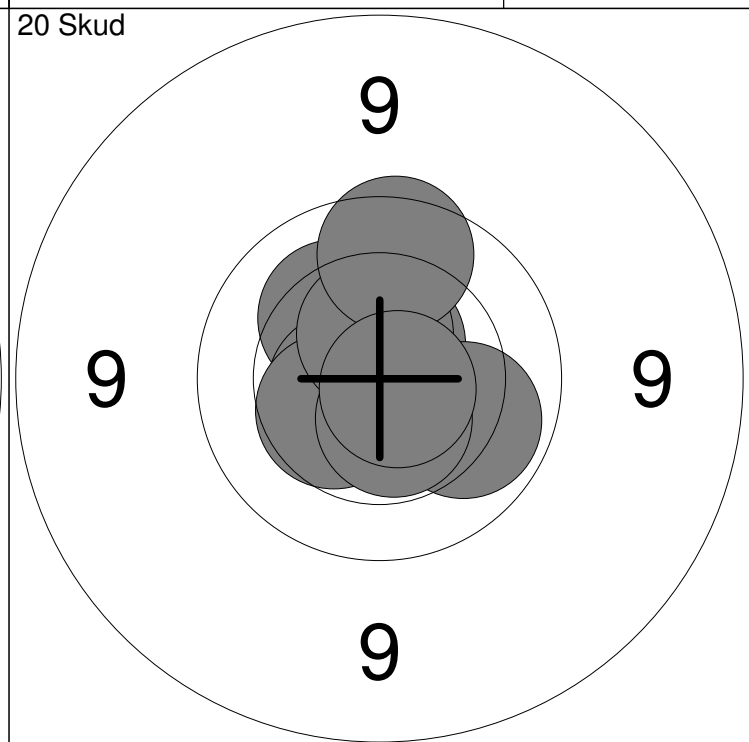
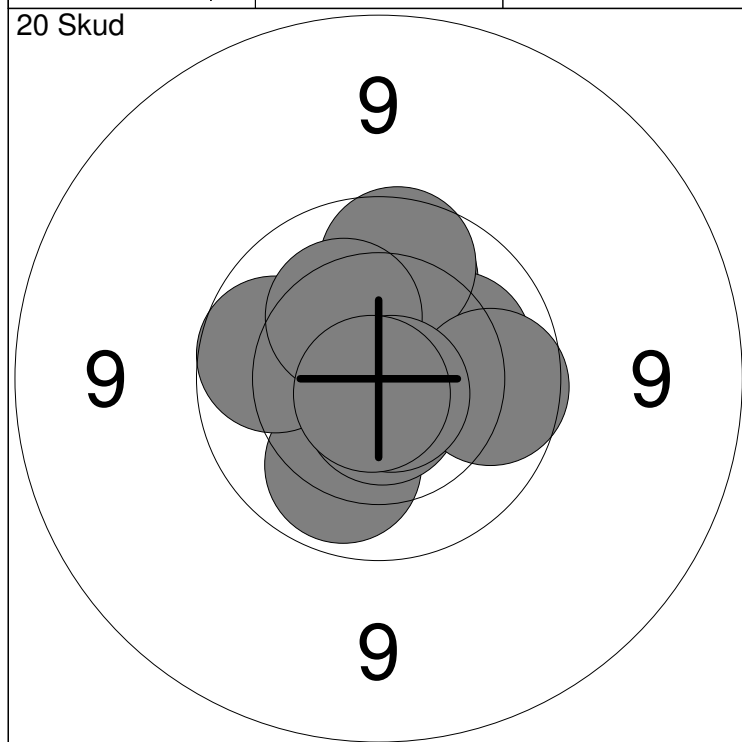


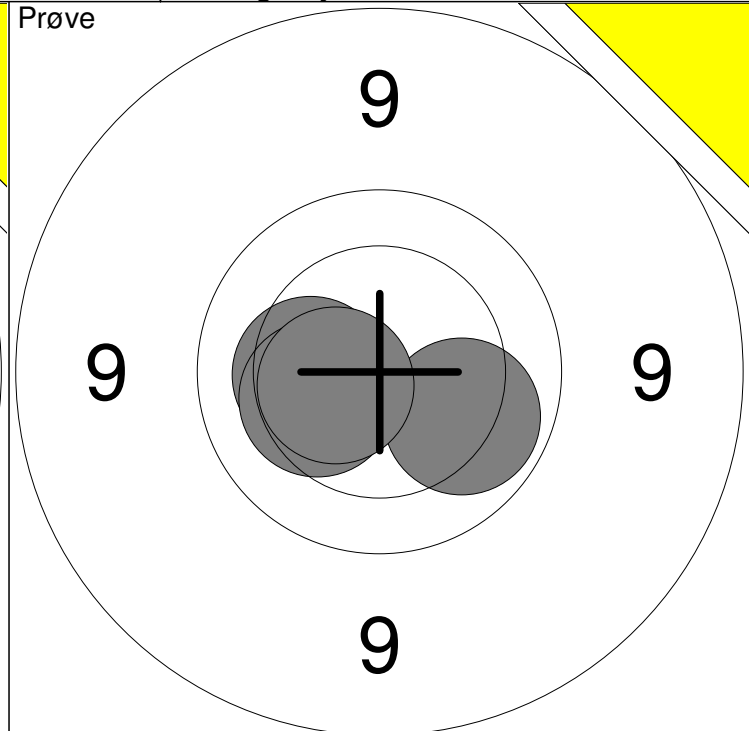
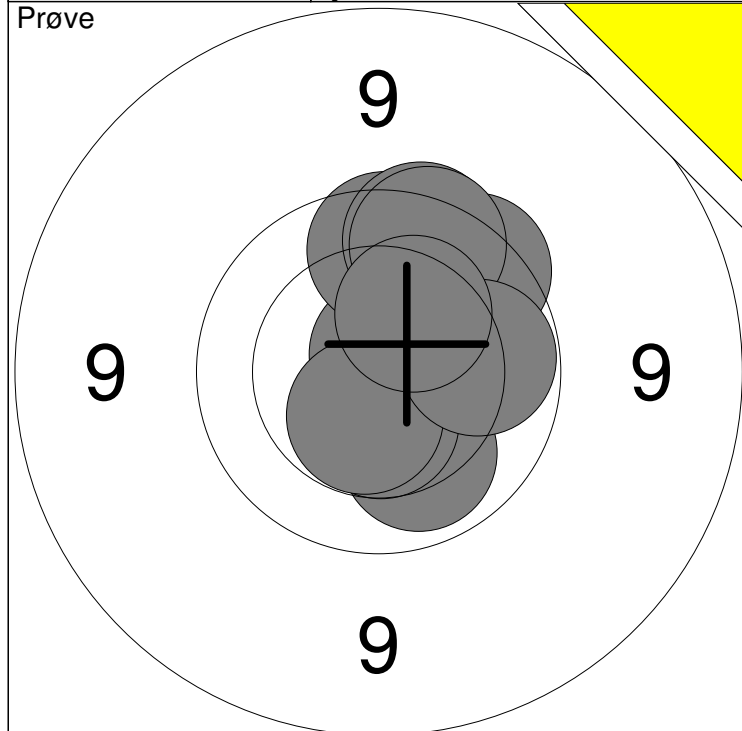
1: 8.8 ↗	6: 10.6x ←	Serie	96
2: 10.5 ↘	7: 9.8 ↗		
3: 10.2 ←	8: 10.2 ↓	Total	0
4: 10.5x ↗	9: 10.4 ↗		
5: 10.1 ↓	10: 9.8 ↘		

11: 10.8x ↗	Serie	20
12: 10.8x →		
Total		0



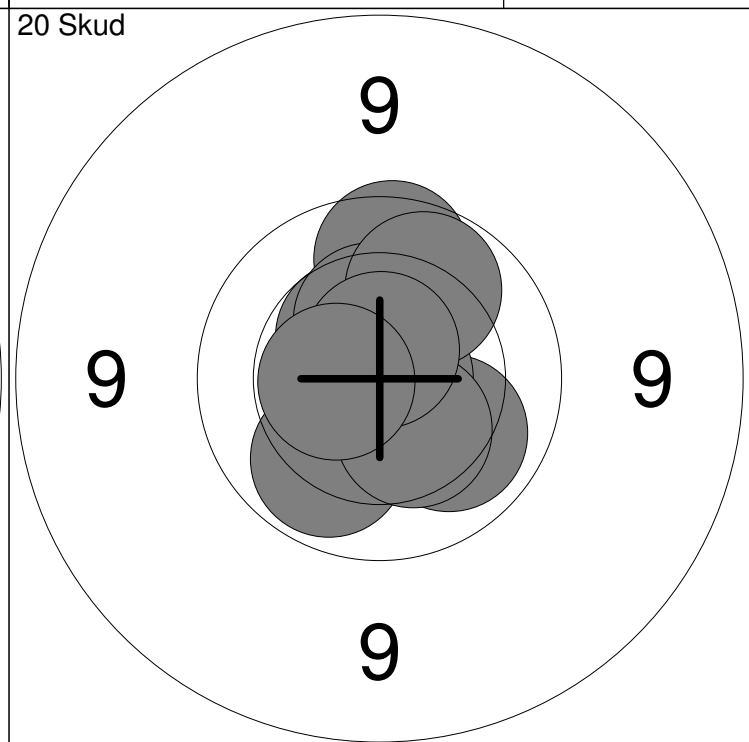
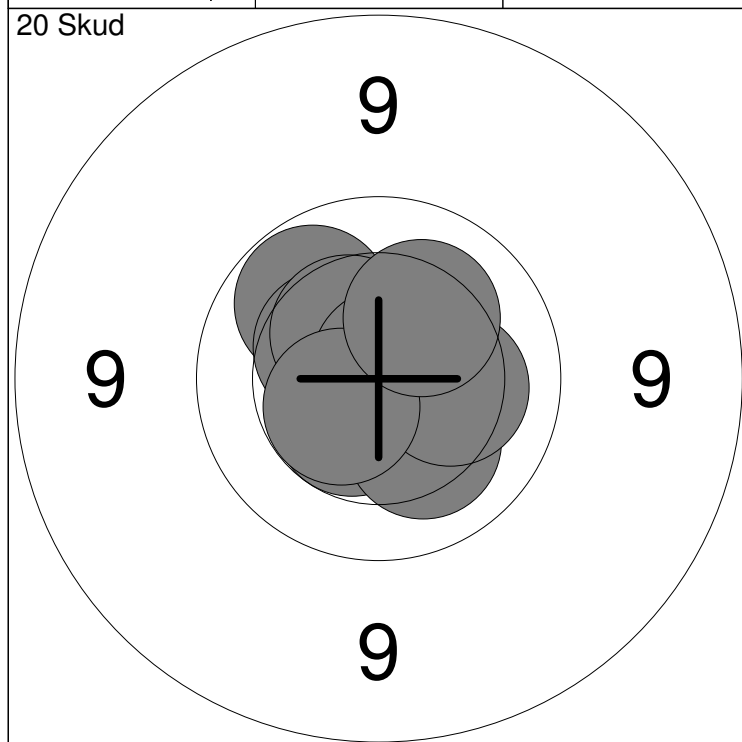
1: 10.0 ↘	6: 9.9 →	Serie	97
2: 10.0 ↑	7: 9.9 ←		
3: 10.7x ↓	8: 10.3 ↗	Total	97
4: 10.2 →	9: 10.8x ↘		
5: 9.9 ↑	10: 10.8x ↘		

11: 10.7x ←	16: 10.5x ↑	Serie	99
12: 10.2 ↗	17: 10.0 →		
13: 10.6x ←	18: 10.5x ↓	Total	196
14: 10.6x ↑	19: 9.8 ↑		
15: 10.4 ↘	20: 10.7x →		



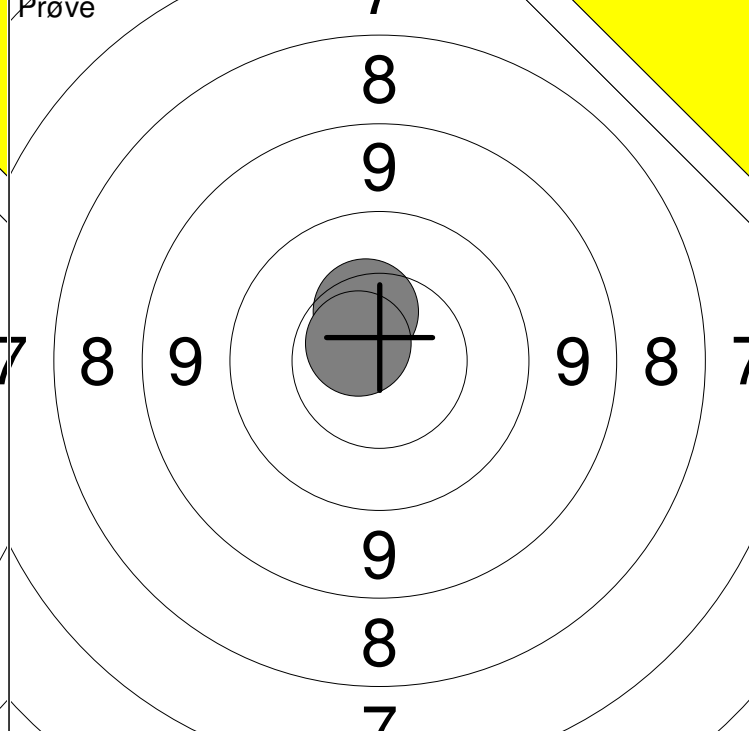
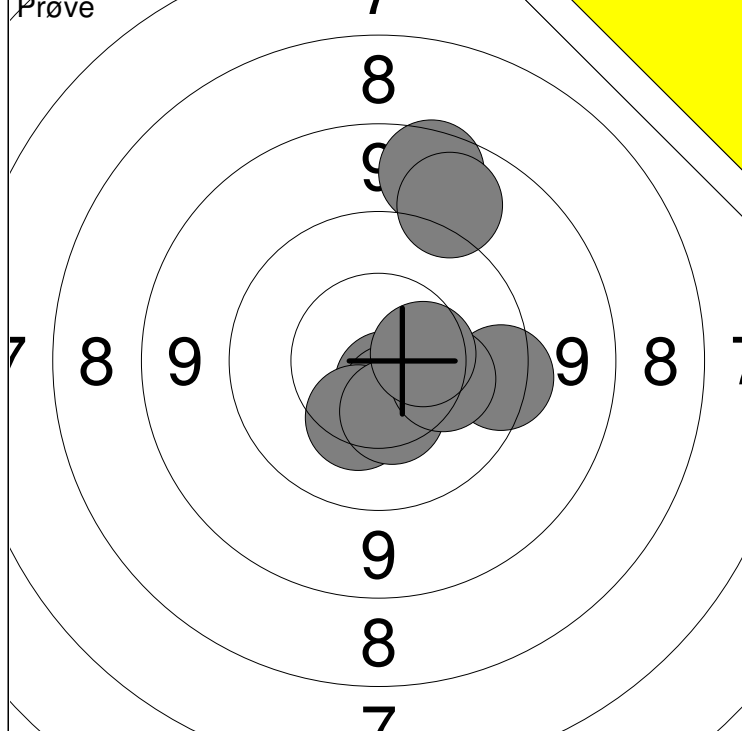
1: 10.1 ↓	6: 10.5x ↓	Serie	96
2: 10.8x ↗	7: 9.8 ↗		
3: 9.8 ↗	8: 9.8 ↗	Total	0
4: 9.8 ↑	9: 10.0 →		
5: 10.5 ↓	10: 10.3 ↗		

11: 10.3 ←	Serie	40
12: 10.3 ←		
13: 10.0 →	Total	0
14: 10.5x ←		



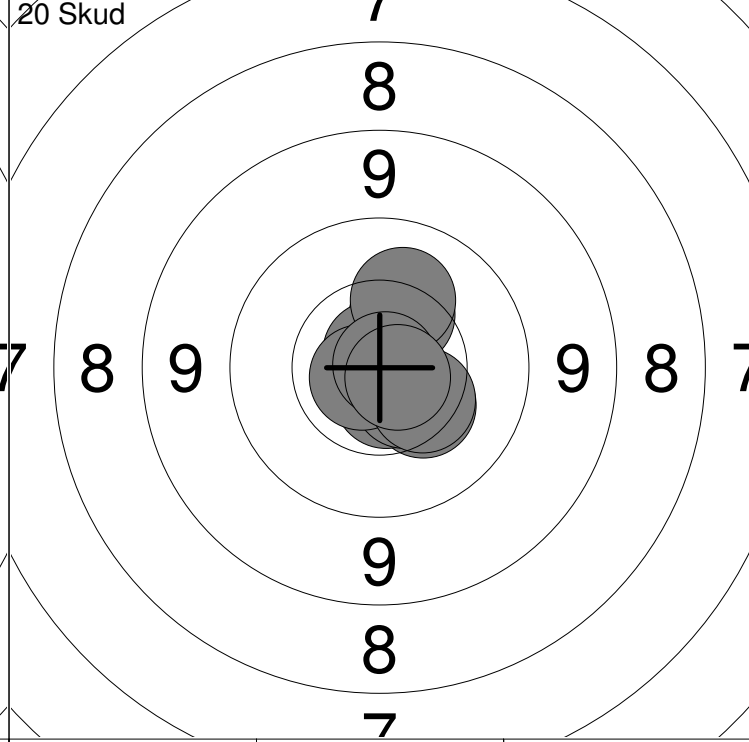
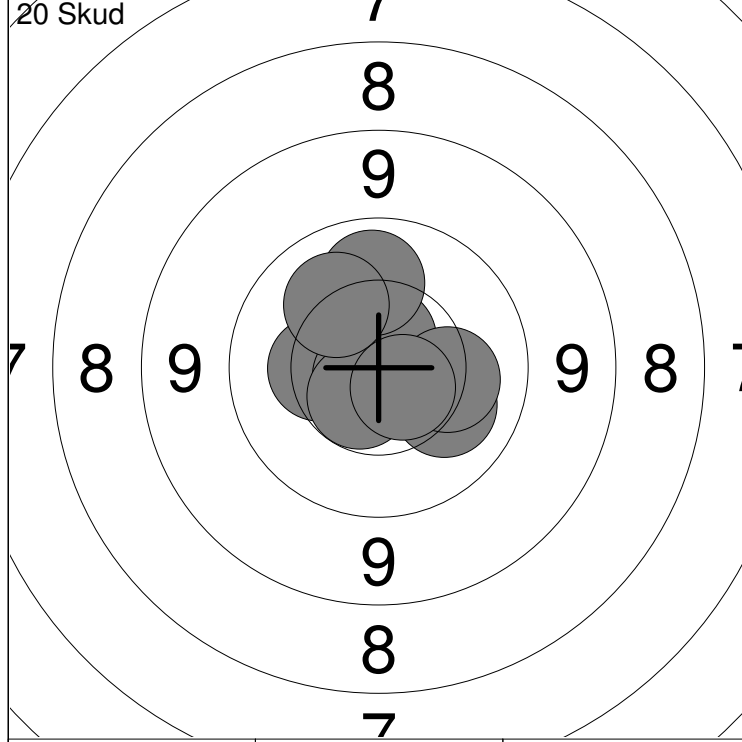
1: 10.5x ↗	6: 10.8x ↗	Serie	100
2: 10.5x ↓	7: 10.2 ↓		
3: 10.0 ↗	8: 10.2 →	Total	100
4: 10.4 ↗	9: 10.5x ←		
5: 10.4 ↗	10: 10.2 ↗		

11: 10.5 ↗	16: 10.8x →	Serie	99
12: 10.0 ↓	17: 10.0 ↗		
13: 10.1 ↓	18: 10.4 ↓	Total	199
14: 9.9 ↑	19: 10.7x ↑		
15: 10.4 ↑	20: 10.5x ←		



1: 8.8 ↑	6: 10.6 ↓	Serie	96
2: 9.1 ↑	7: 10.3 ↓		Total
3: 9.6 →	8: 10.4 ↓		
4: 10.6 ↓	9: 10.3 →		
5: 10.7x ↓	10: 10.5 →		

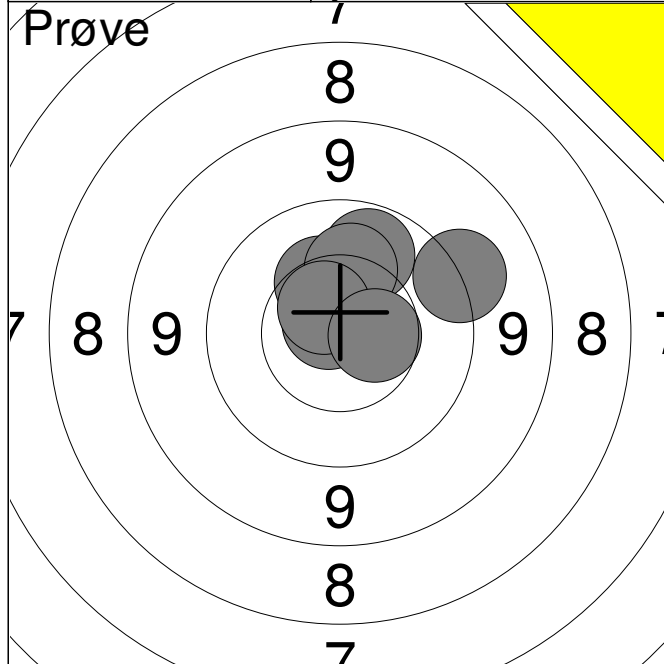
11: 10.4 ↑	Serie	20
12: 10.7x ↖		Total



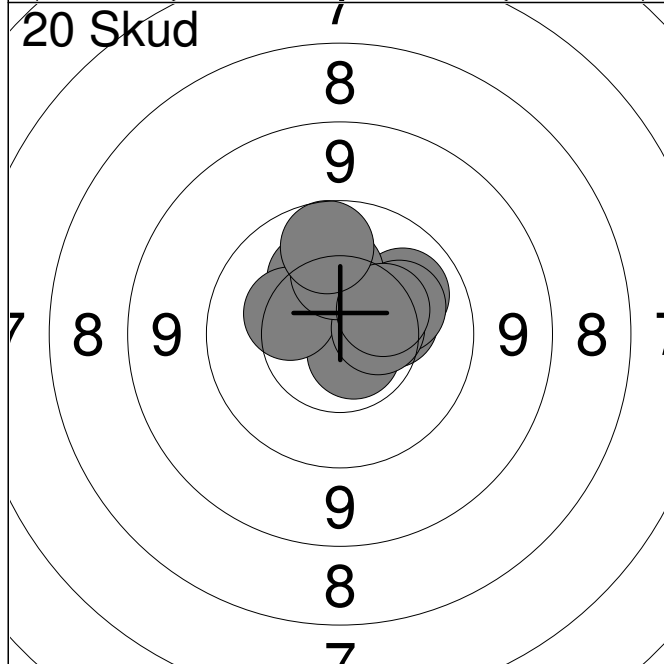
1: 10.3 ↑	6: 10.2 →	Serie	100
2: 10.3 ←	7: 10.1 ↑		Total
3: 10.8x ↙	8: 10.6x ↓		
4: 10.7x ↑	9: 10.6x ↓		
5: 10.2 ↘	10: 10.2 ↗		

11: 10.4 ↑	16: 10.2 ↑	Serie	100
12: 10.4 ↓	17: 10.7x ↙		Total
13: 10.6x ↓	18: 10.9x →		
14: 10.8x ↑	19: 10.4 ↓		
15: 10.6 ↓	20: 10.7x ↘		

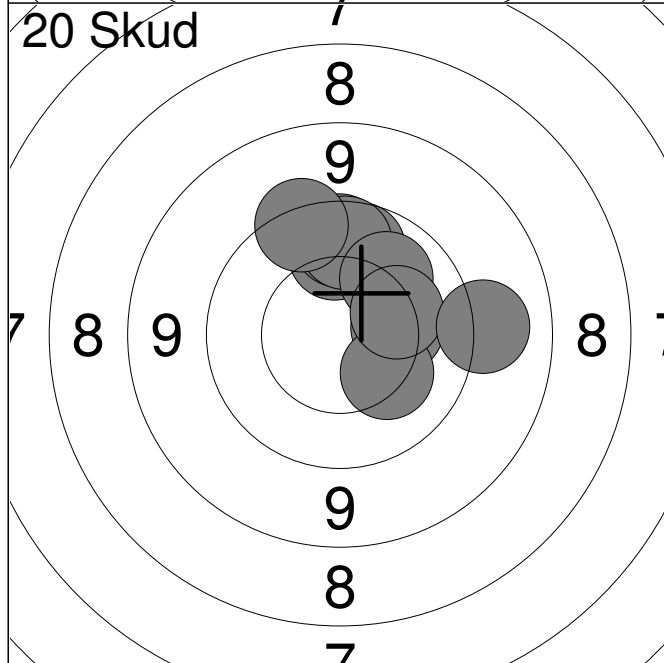
Hold	Skive	Jonas Ø. Pedersen		
1	4	Aalborg Skyttekreds		J1
AAS		Jyllandsstævne 2016		Aalborg Skyttekreds
Prøve		1:	10.3	↓
		2:	10.6x	↗
		3:	10.3	↑
		4:	10.5x	↗
		Serie	40.0	
Total	0.0			
20 Skud		1:	10.7x	↑
		2:	10.8x	←
		3:	10.7x	↑
		4:	10.7x	↑
		5:	10.7x	↑
		6:	10.6x	↑
		7:	10.8x	↗
		8:	10.3	↙
		9:	10.5	←
		10:	9.9	→
		Serie	99.0	
Total	99.0			
20 Skud		11:	10.4	←
		12:	10.1	↑
		13:	10.7x	↗
		14:	10.6x	↗
		15:	10.1	↓
		16:	10.0	↗
		17:	10.5x	↙
		18:	10.7x	↖
		19:	10.5	↓
		20:	10.6x	↖
		Serie	100.0	
Total	199.0			



1:	10.3	↑
2:	10.0	↑
3:	10.2	↑
4:	10.8x	↖
5:	9.4	↗
6:	10.6x	↑
7:	10.5	→
<b>Serie</b>		<b>69.0</b>
<b>Total</b>		<b>0.0</b>

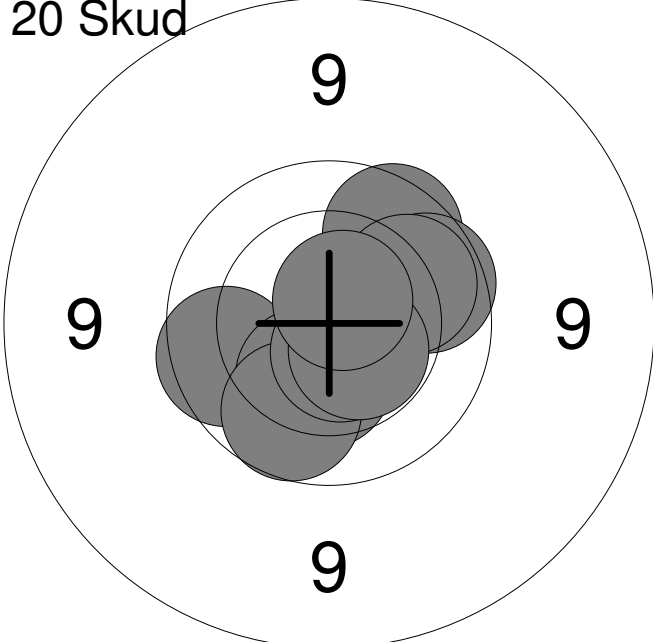


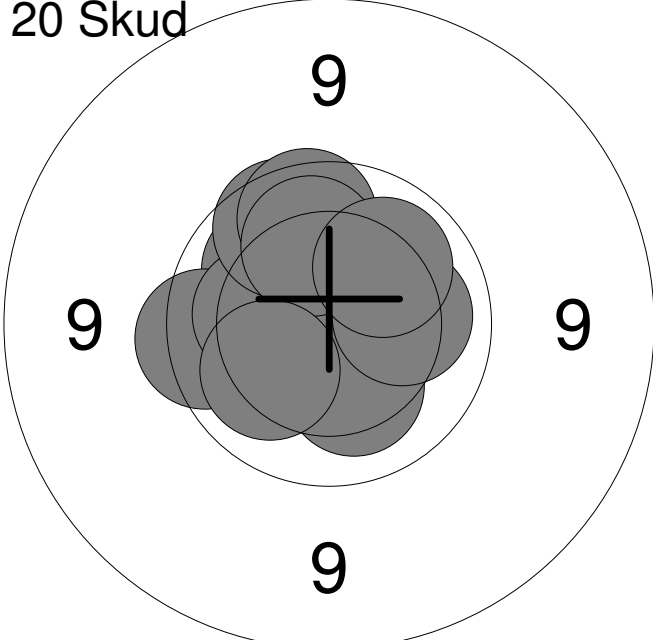
1:	10.2	↑
2:	10.1	↗
3:	10.7x	↓
4:	10.3	→
5:	10.2	↗
6:	10.3	↖
7:	10.5	→
8:	10.2	↑
9:	10.4	↗
10:	9.9	↑
<b>Serie</b>		<b>99.0</b>
<b>Total</b>		<b>99.0</b>

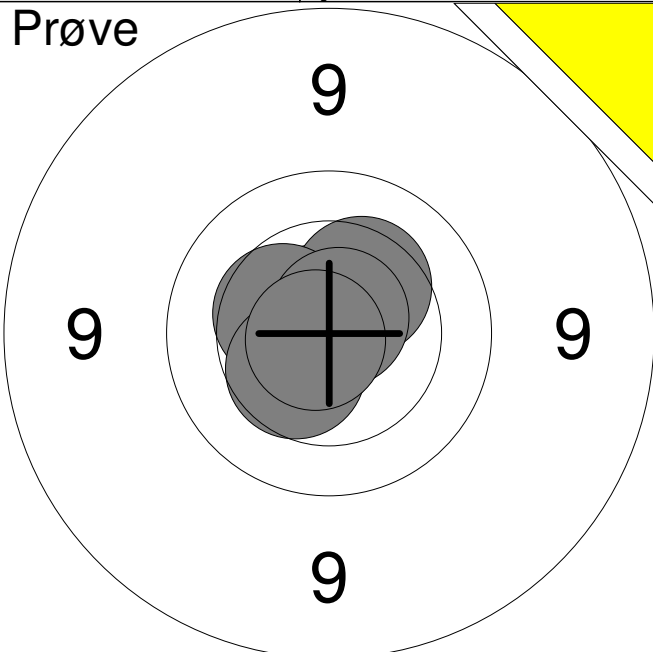
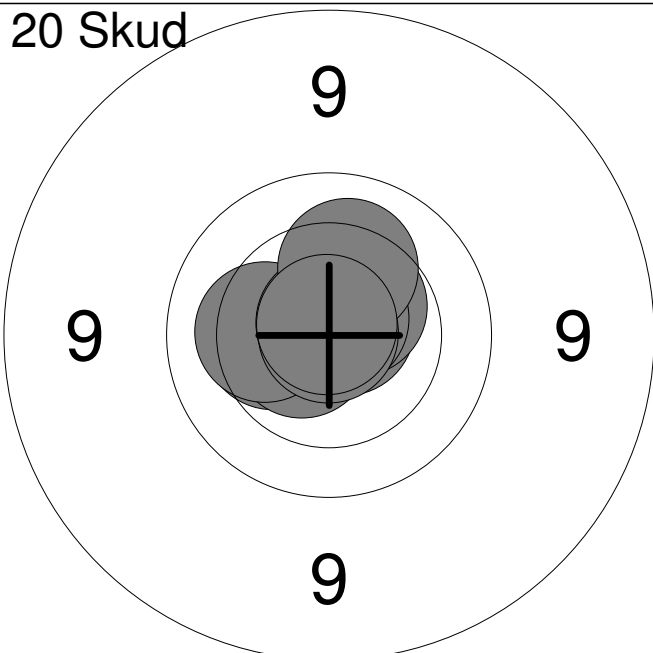


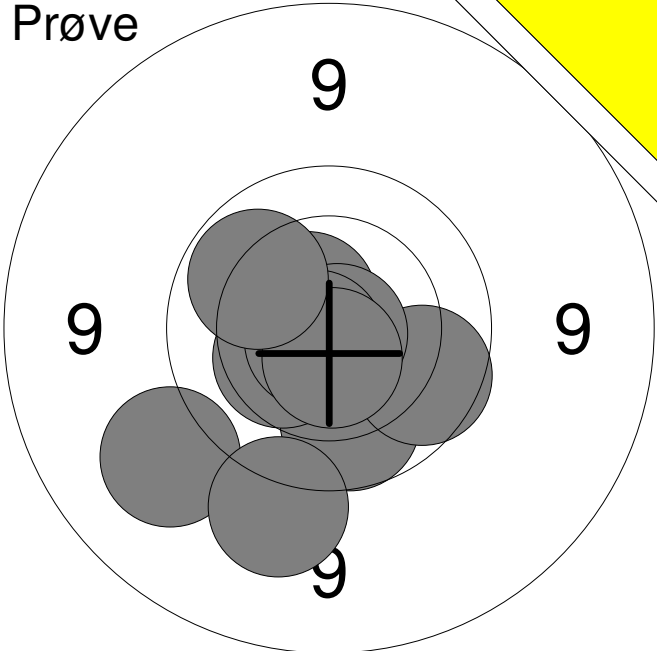
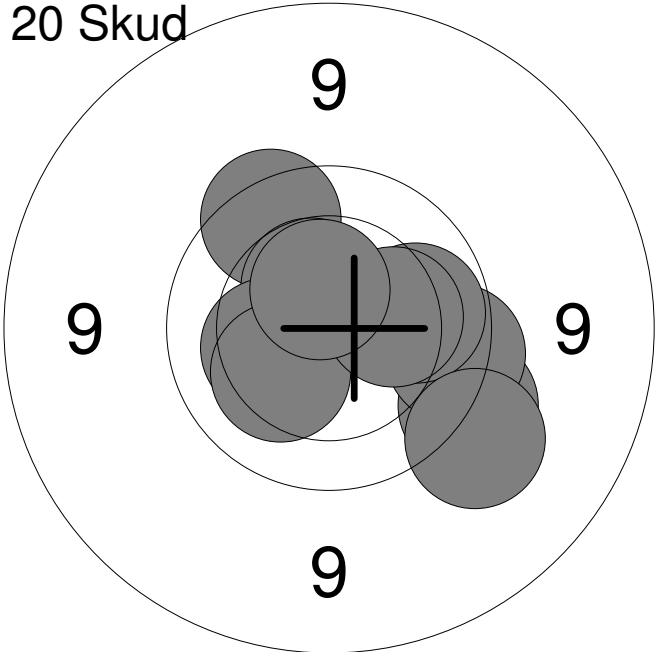
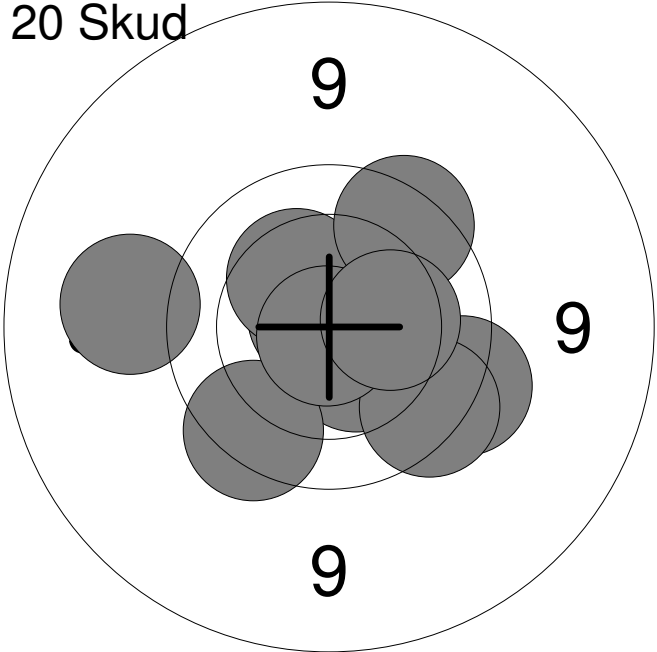
11:	10.3	→
12:	9.9	↑
13:	10.0	↑
14:	9.9	↑
15:	9.9	↑
16:	10.1	↗
17:	10.2	↓
18:	10.2	↗
19:	9.6	↑
20:	9.2	→
<b>Serie</b>		<b>95.0</b>
<b>Total</b>		<b>194.0</b>

<b>Prøve</b> 	1:	9.3	↓
	2:	9.9	↘
	3:	9.8	↓
	4:	10.5	←
	5:	10.7x	↗
	6:	9.7	↙
	7:	9.7	↗
	8:	9.9	←
	9:	10.6x	↗
	10:	10.5x	↑
	Serie		94.0
Total		0.0	

<b>20 Skud</b> 	1:	10.4	↓
	2:	9.8	↗
	3:	9.9	←
	4:	9.9	↗
	5:	10.3	↓
	6:	9.9	↓
	7:	10.0	↗
	8:	10.6x	↓
	9:	10.5x	↘
	10:	10.7x	↗
	Serie		96.0
Total		96.0	

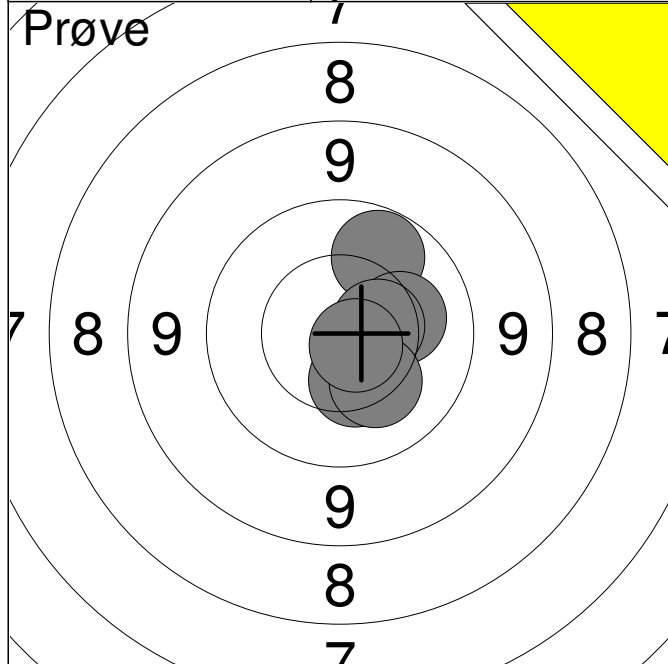
<b>20 Skud</b> 	11:	10.1	↗
	12:	10.2	↓
	13:	9.8	←
	14:	10.2	←
	15:	10.2	→
	16:	9.9	↗
	17:	9.9	↑
	18:	10.1	↑
	19:	10.1	↙
	20:	10.1	↗
	Serie		97.0
Total		193.0	

Hold	Skive	Nicklas Christensen		
1	10	Aalborg Skyttekreds		BK1
AAS		Jyllandsstævne 2016		Aalborg Skyttekreds
Prøve		1:	10.7x	↗
		2:	10.3	↗
		3:	10.8x	↗
		4:	10.4	↖
		5:	10.7x	↗
		6:	10.4	↙
		7:	10.8x	↙
		Serie	70.0	
		Total	0.0	
20 Skud		1:	10.7x	↗
		2:	10.5x	↗
		3:	10.3	↖
		4:	10.6x	↖
		5:	10.3	↖
		6:	10.8x	↗
		7:	10.7x	↗
		8:	10.9x	↗
		9:	10.2	↗
		10:	10.8x	↗
		Serie	100.0	
		Total	100.0	
20 Skud		11:	10.1	↘
		12:	10.2	→
		13:	10.1	↘
		14:	10.5x	↘
		15:	10.2	↗
		16:	10.6x	↖
		17:	10.3	↖
		18:	10.6x	↗
		19:	10.8x	↖
		20:	10.6x	↗
		Serie	100.0	
		Total	200.0	

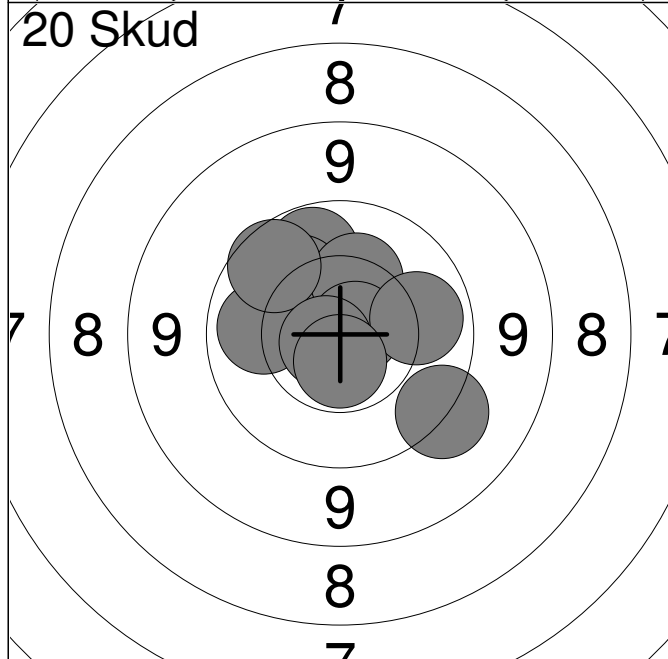
Hold	Skive	Henrik Frankfurth		
1	11	Aalborg Skyttekreds		VS1
AAS		Jyllandsstævne 2016		Aalborg Skyttekreds
<b>Prøve</b> 	1:	9.3	↙	
	2:	9.9	↓	
	3:	9.9	↘	
	4:	9.4	↙	
	5:	10.6x	↗	
	6:	10.4	↙	
	7:	10.8x	↘	
	8:	10.7x	↙	
	9:	10.6x	↓	
	10:	10.0	↗	
	Serie			96.0
Total			0.0	
<b>20 Skud</b> 	1:	9.5	↘	
	2:	9.8	↗	
	3:	10.5	↗	
	4:	9.7	→	
	5:	10.3	↙	
	6:	10.0	→	
	7:	9.4	↘	
	8:	10.2	↙	
	9:	10.2	→	
	10:	10.5x	↗	
	Serie			96.0
Total			96.0	
<b>20 Skud</b> 	11:	9.6	↘	
	12:	10.8x	↗	
	13:	10.3	↗	
	14:	10.5	↘	
	15:	9.7	↗	
	16:	9.7	↙	
	17:	9.3	←	
	18:	9.7	↘	
	19:	10.8x	↘	
	20:	10.3	→	
	Serie			95.0
Total			191.0	



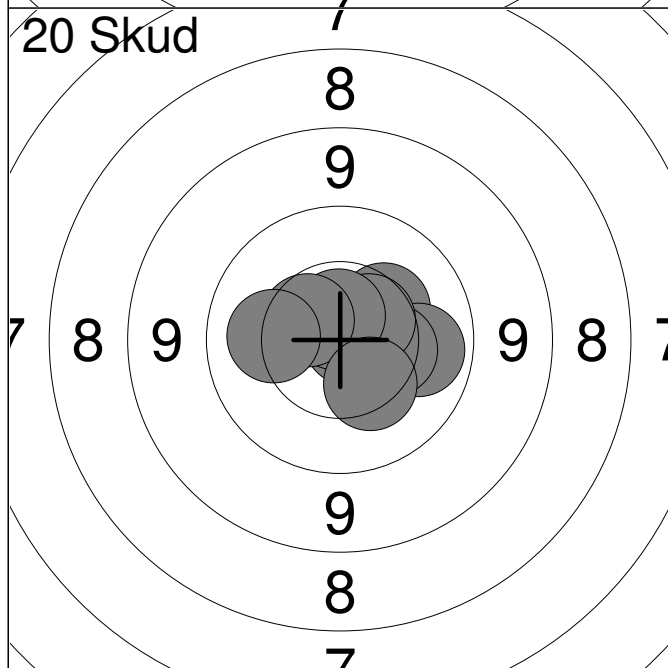
Hold	Skive	Niklas Pedersen		
1	12	Aalborg Skyttekreds		BK2
AAS		Jyllandsstævne 2016		Aalborg Skyttekreds
Prøve		1:	9.8	↘
		2:	10.4	←
		3:	10.3	↑
		4:	10.1	↑
		5:	10.5	↑
		6:	10.7x	↙
		7:	10.1	→
		8:	10.3	↙
		9:	10.1	→
		10:	10.1	↘
		Serie		99.0
Total		0.0		
20 Skud		1:	10.0	←
		2:	10.2	↘
		3:	10.6x	←
		4:	10.5	←
		5:	10.6x	↗
		6:	10.6x	↘
		7:	10.9x	↑
		8:	10.4	↘
		9:	10.6x	↙
		10:	10.8x	↘
		Serie		100.0
Total		100.0		
20 Skud		11:	10.5x	↘
		12:	10.3	↘
		13:	10.6x	↘
		14:	10.6x	↘
		15:	10.4	↘
		16:	10.0	→
		17:	10.4	↘
		18:	10.5x	↙
		19:	9.9	↙
		20:	10.8x	←
		Serie		99.0
Total		199.0		



1:	10.0	↗
2:	10.2	→
3:	10.5	→
4:	10.4	↓
5:	10.3	↘
6:	10.7x	↘
<b>Serie</b>		<b>60.0</b>
<b>Total</b>		<b>0.0</b>

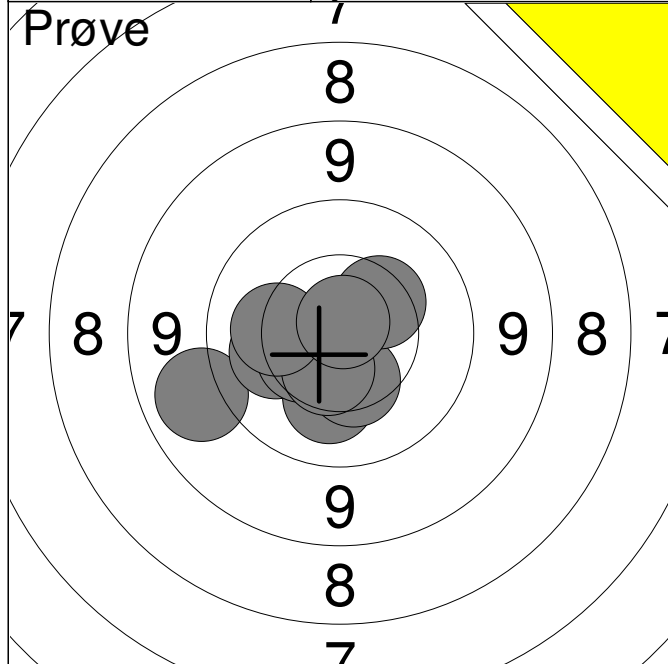


1:	10.0	↗
2:	10.2	↗
3:	10.1	←
4:	10.3	↑
5:	10.8x	→
6:	9.8	↗
7:	10.0	→
8:	10.8x	↖
9:	10.6x	↓
10:	9.4	↘
<b>Serie</b>		<b>98.0</b>
<b>Total</b>		<b>98.0</b>

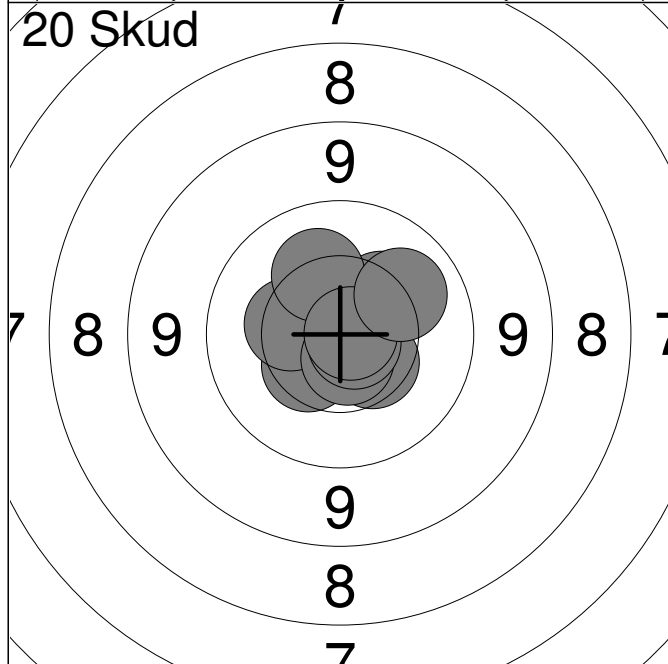


11:	10.8x	→
12:	10.3	↗
13:	10.0	→
14:	10.4	→
15:	10.7x	↑
16:	10.5	↗
17:	10.7x	↑
18:	10.5	↗
19:	10.2	←
20:	10.3	↘
<b>Serie</b>		<b>100.0</b>
<b>Total</b>		<b>198.0</b>

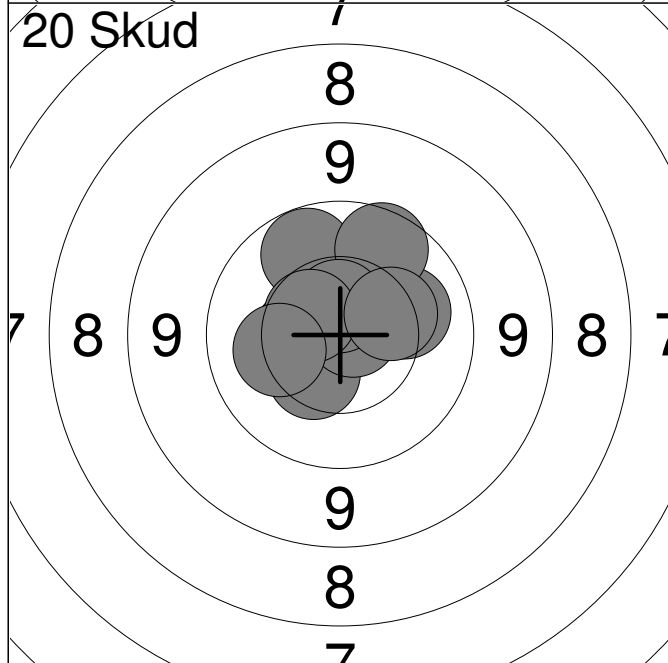
Hold	Skive	Henrik Frankfurth		
2	2	Aalborg Skyttekreds	MVS1	
AAS		Jyllandsstævne 2016	Aalborg Skyttekreds	
Prøve		1:	9.1	→
		2:	9.9	↑
		3:	9.5	↗
		4:	9.8	↗
		5:	9.8	→
		6:	9.8	→
		7:	10.5x	↑
		8:	10.5	↗
		9:	10.2	↗
		10:	9.8	↑
		Serie		93.0
Total		0.0		
20 Skud		1:	10.7x	↘
		2:	9.6	←
		3:	10.6x	↑
		4:	10.4	↑
		5:	9.4	→
		6:	10.3	←
		7:	10.7x	↘
		8:	9.8	↗
		9:	10.5x	↑
		10:	10.7x	←
		Serie		97.0
Total		97.0		
20 Skud		11:	9.9	→
		12:	9.6	→
		13:	9.8	↘
		14:	10.8x	→
		15:	9.8	↗
		16:	10.3	←
		17:	10.7x	↑
		18:	10.5	↘
		19:	10.3	↘
		20:	10.6x	↑
		Serie		96.0
Total		193.0		



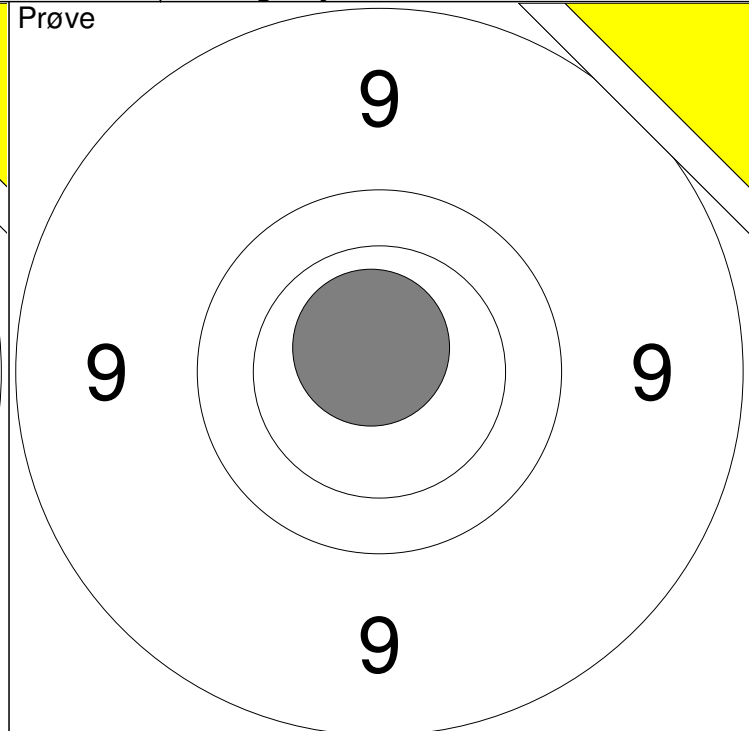
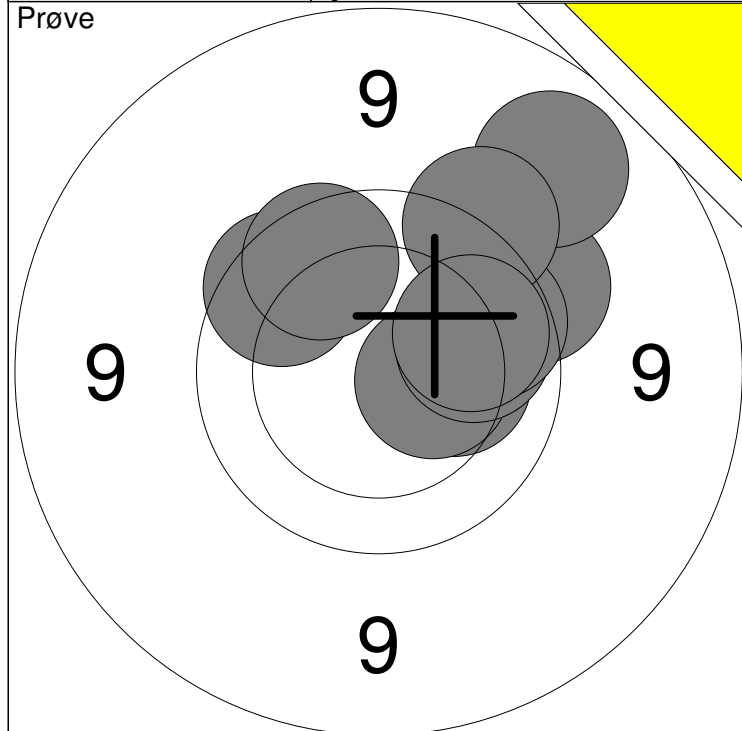
1:	10.2	↓
2:	9.1	←
3:	10.4	↓
4:	10.2	←
5:	10.4	←
6:	10.4	↗
7:	10.5	↓
8:	10.2	←
9:	10.8x	↑
<b>Serie</b>		<b>89.0</b>
<b>Total</b>		<b>0.0</b>



1:	10.4	←
2:	10.4	←
3:	10.8x	↓
4:	10.5	↓
5:	10.7x	↓
6:	10.3	↗
7:	10.8x	↓
8:	10.2	↑
9:	10.8x	→
10:	10.1	↗
<b>Serie</b>		<b>100.0</b>
<b>Total</b>		<b>100.0</b>

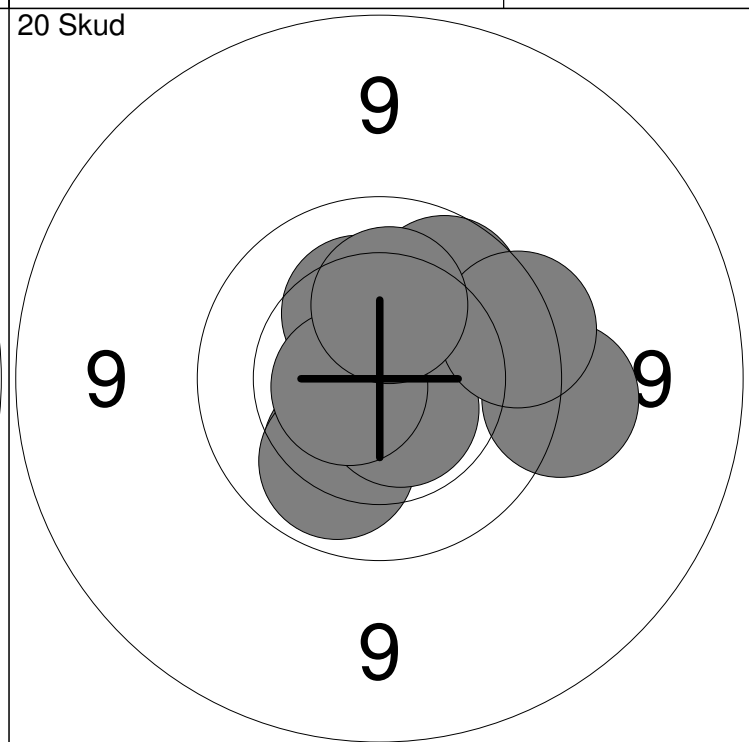
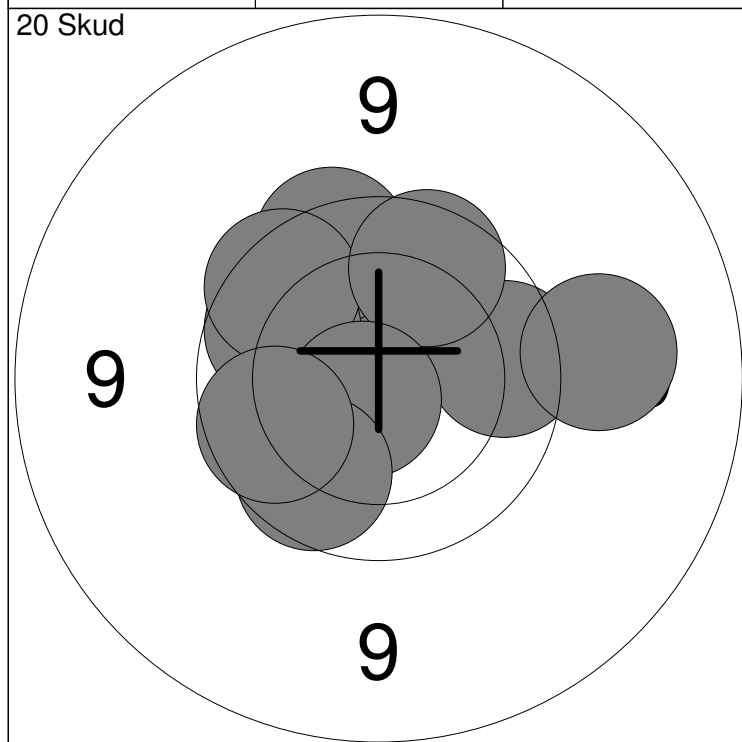


11:	10.2	→
12:	10.0	↑
13:	9.8	↗
14:	10.5	←
15:	10.4	↓
16:	10.8x	→
17:	10.6x	↑
18:	10.5	↗
19:	10.3	→
20:	10.2	←
<b>Serie</b>		<b>99.0</b>
<b>Total</b>		<b>199.0</b>



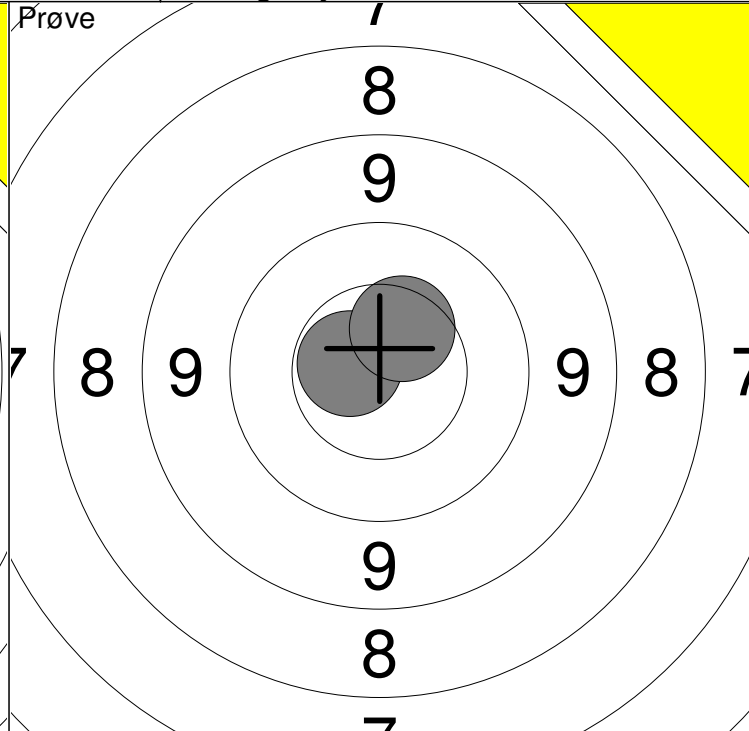
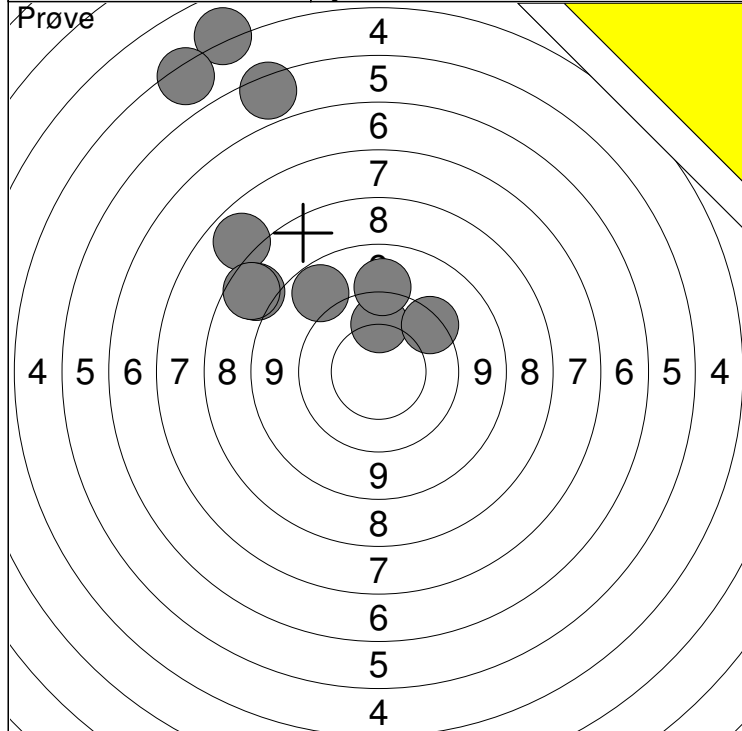
1: 10.2 →	6: 9.8 ↖	Serie	94
2: 9.6 ↗	7: 9.1 ↗		
3: 9.8 ↖	8: 9.9 →	Total	0
4: 10.4 →	9: 9.5 ↗		
5: 10.0 →	10: 10.0 ↗		

11: 10.7x ↖	Serie	10
	Total	0



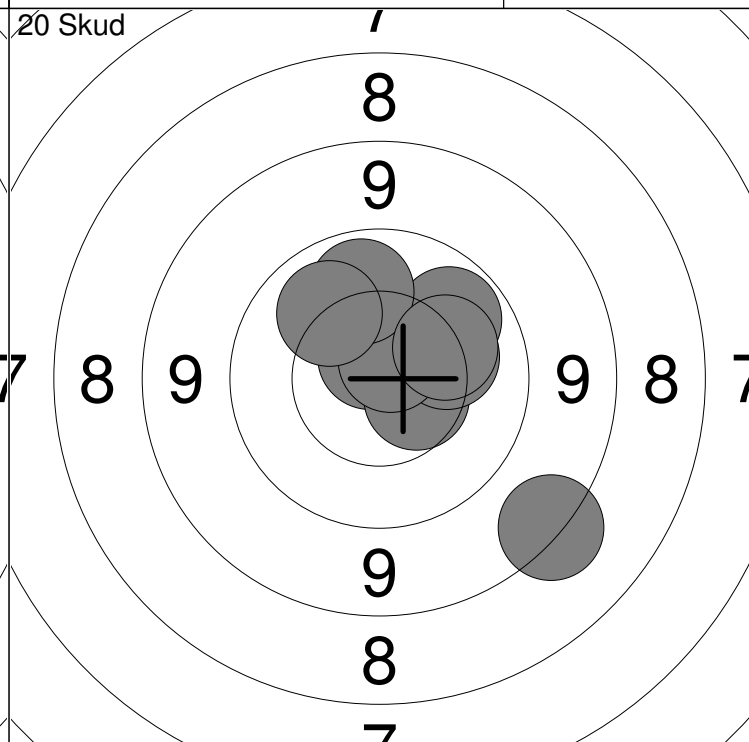
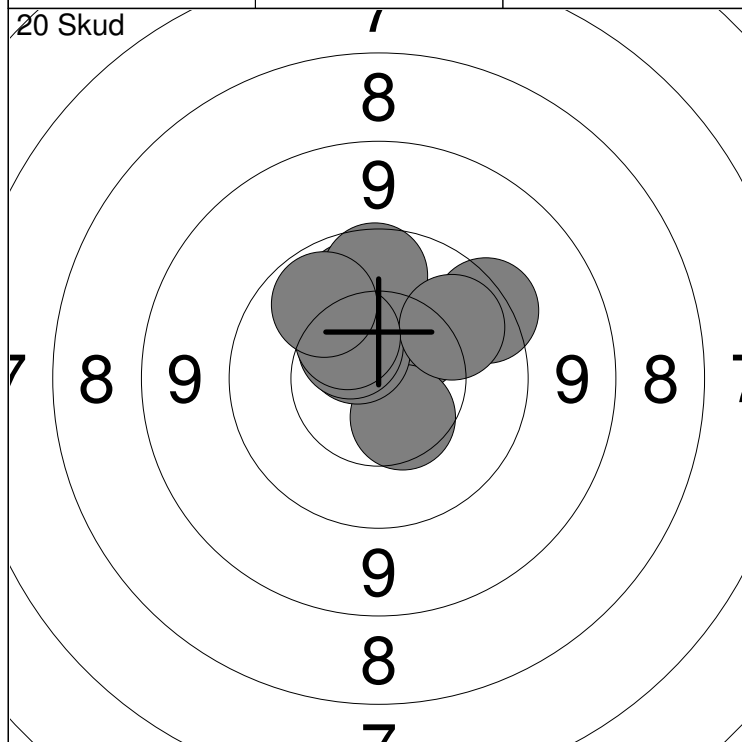
1: 10.3 ↑	6: 9.9 ↗	Serie	92
2: 9.7 ↑	7: 10.7x ↘		
3: 9.9 ↖	8: 9.9 ↘	Total	92
4: 9.8 →	9: 9.3 →		
5: 9.8 ↖	10: 9.9 ←		

11: 10.2 ↘	16: 9.9 ↗	Serie	97
12: 10.6x ↖	17: 10.6x ↘		
13: 9.5 →	18: 10.6x ←	Total	189
14: 10.3 ↑	19: 9.7 →		
15: 10.1 ↘	20: 10.2 ↑		



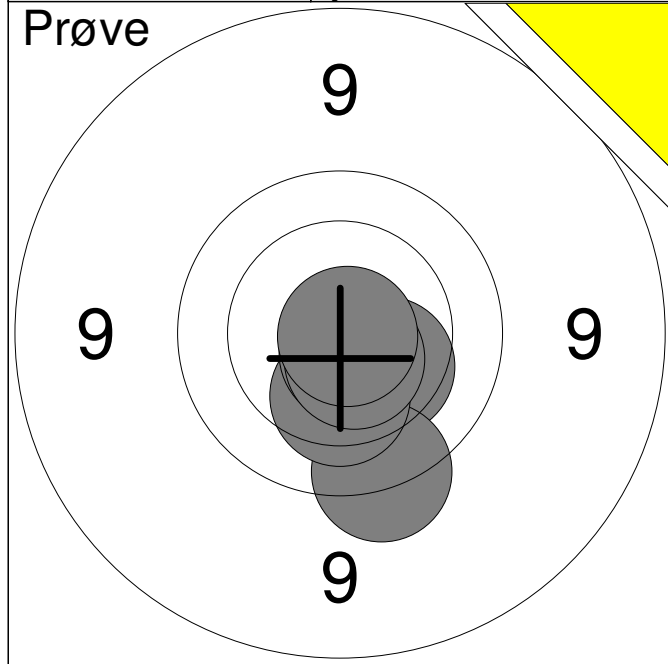
1: 3.2 ↗	6: 7.9 ↗	Serie	68
2: 4.7 ↗	7: 9.0 ↗		
3: 3.6 ↗	8: 10.0 ↑	Total	0
4: 7.1 ↗	9: 9.3 ↑		
5: 7.9 ↗	10: 9.6 ↗		

11: 10.6x ←	Serie	20
12: 10.4 ↗		
Total		0



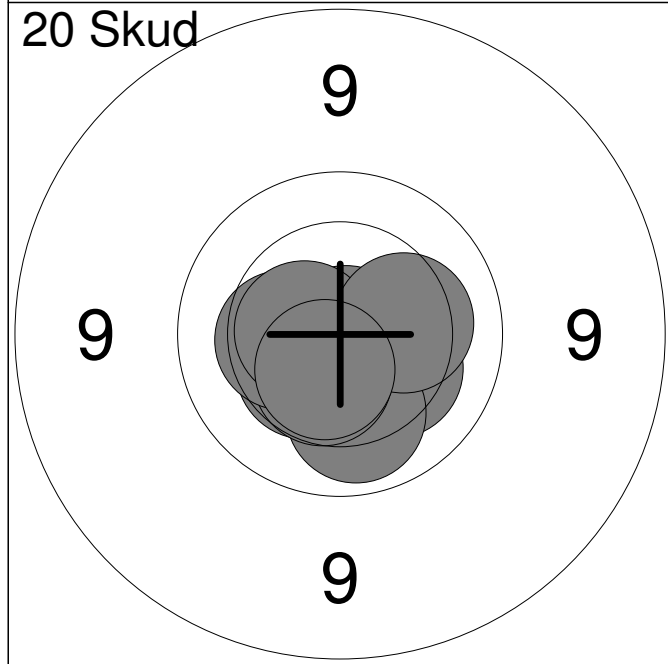
1: 10.4 ↗	6: 9.6 ↗	Serie	98
2: 10.0 ↗	7: 9.9 ↑		
3: 10.5 ↘	8: 10.0 ↗	Total	98
4: 10.6x ↗	9: 10.4 ↗		
5: 10.5 ↗	10: 10.0 ↗		

11: 10.7x ↗	16: 10.7x ↗	Serie	98
12: 10.7x ↗	17: 8.5 ↘		
13: 10.5 ↘	18: 10.0 ↑	Total	196
14: 10.0 ↗	19: 10.2 ↗		
15: 10.2 ↗	20: 10.1 ↗		



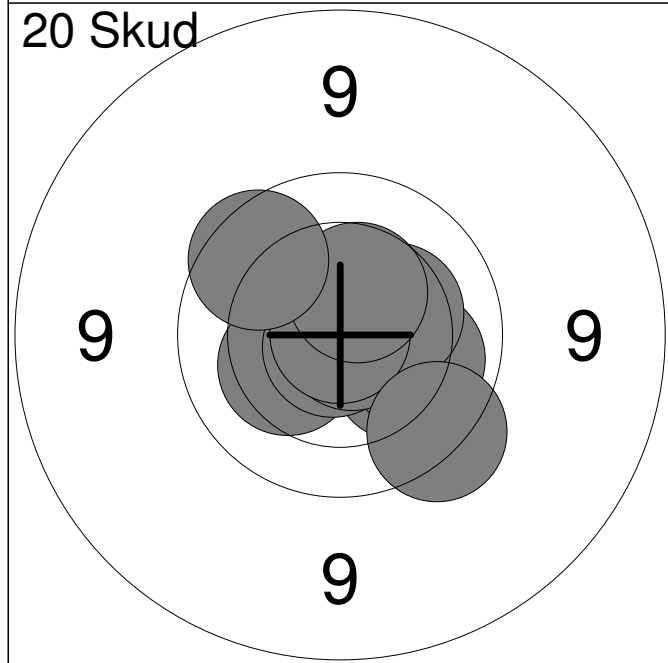
1:	10.3	↘
2:	9.6	↘
3:	10.3	↘
4:	10.7x	↘
5:	10.6x	↘
6:	10.9x	↘

Serie	59.0
Total	0.0



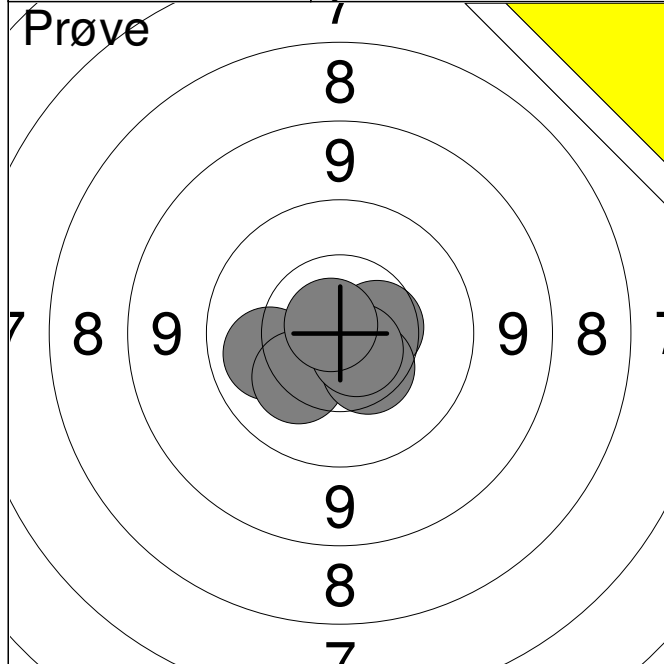
1:	10.4	↙
2:	10.3	↘
3:	10.8x	↘
4:	10.1	↘
5:	10.5	↘
6:	10.9x	→
7:	10.3	←
8:	10.6x	←
9:	10.3	→
10:	10.5x	↘

Serie	100.0
Total	100.0

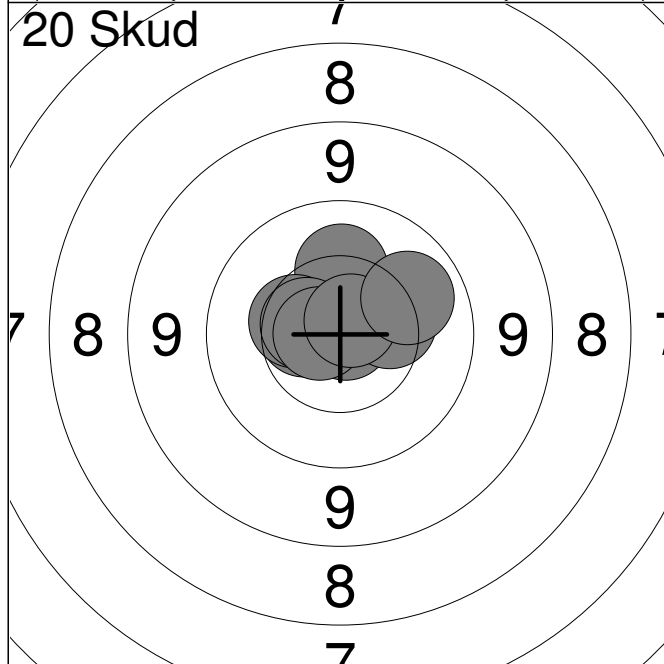


11:	10.2	↘
12:	10.3	↙
13:	10.1	→
14:	10.8x	↙
15:	10.8x	→
16:	10.3	→
17:	10.9x	↑
18:	10.5	↑
19:	9.7	↘
20:	9.8	↗

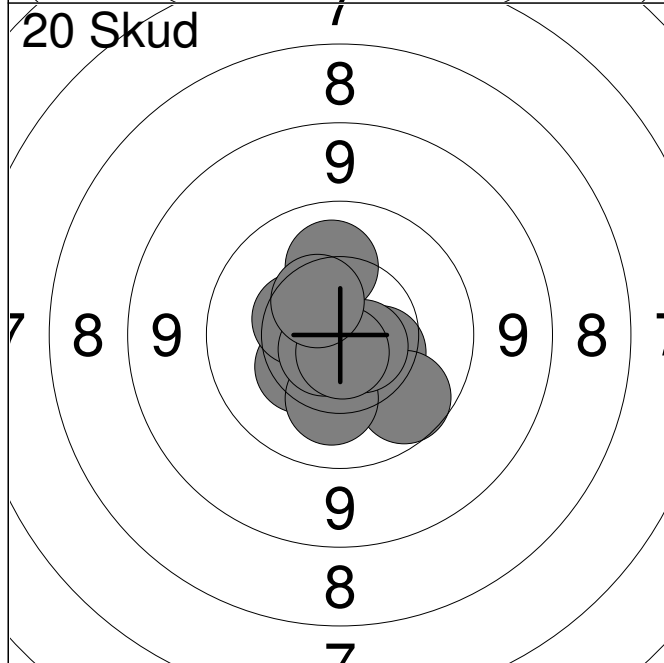
Serie	98.0
Total	198.0



	1:	10.1	←
	2:	10.3	↙
	3:	10.5	→
	4:	10.4	↘
	5:	10.7x	↘
	6:	10.8x	↗
<b>Serie</b>			<b>60.0</b>
<b>Total</b>			<b>0.0</b>

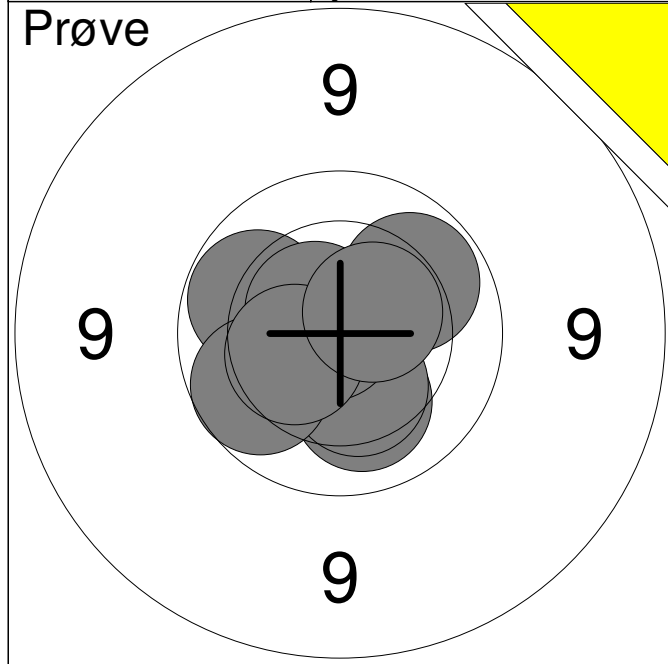


	1:	10.3	→
	2:	10.9x	→
	3:	10.5	←
	4:	10.2	↑
	5:	10.4	←
	6:	10.5	←
	7:	10.4	→
	8:	10.7x	←
	9:	10.8x	↗
	10:	10.1	↗
<b>Serie</b>			<b>100.0</b>
<b>Total</b>			<b>100.0</b>

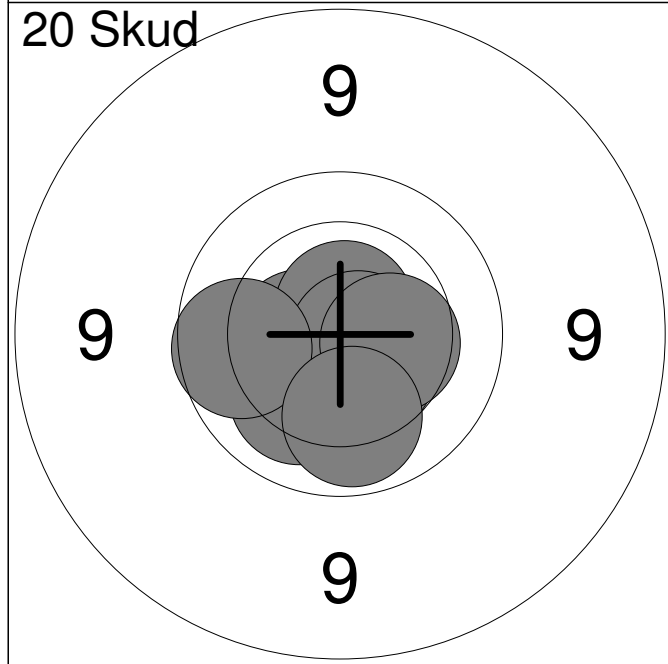


	11:	10.5	↘
	12:	10.4	↙
	13:	10.4	↖
	14:	10.2	↑
	15:	9.9	↘
	16:	10.2	↘
	17:	10.7x	↘
	18:	10.7x	↙
	19:	10.7x	↘
	20:	10.5	↗
<b>Serie</b>			<b>99.0</b>
<b>Total</b>			<b>199.0</b>

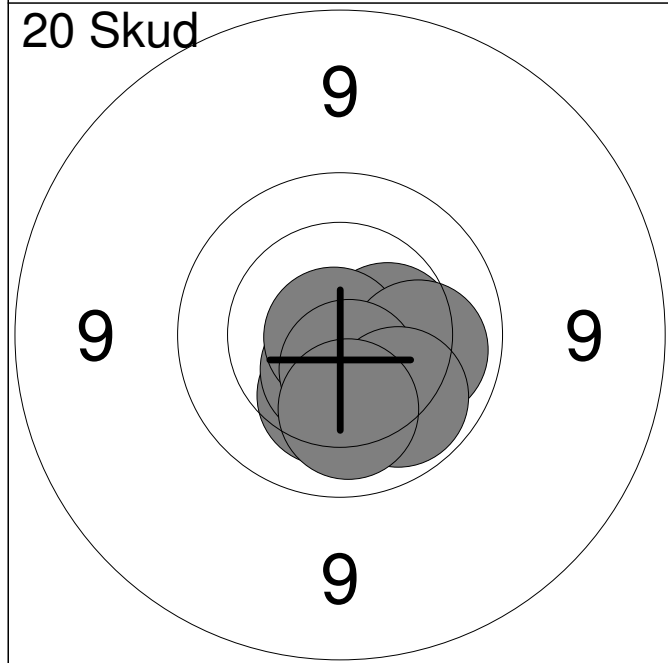




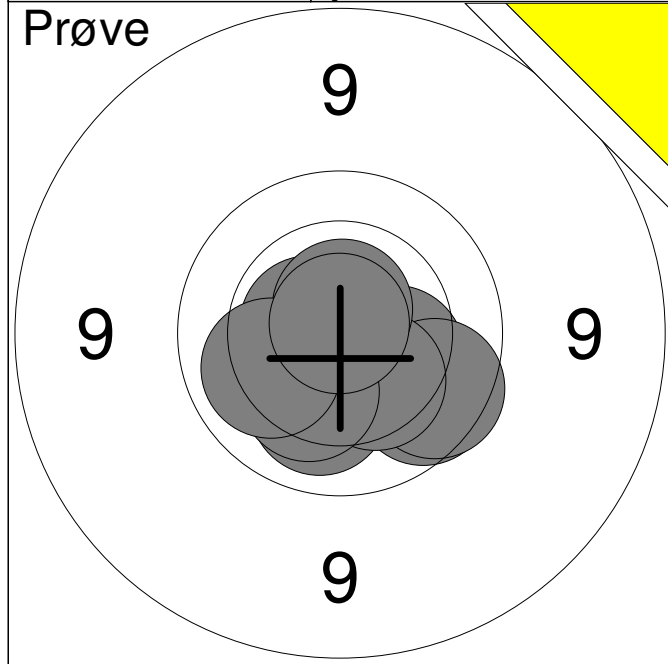
1:	10.0	↖
2:	10.2	↓
3:	10.6x	↙
4:	10.3	↓
5:	9.9	↖
6:	10.0	↗
7:	10.8x	↖
8:	10.6x	↗
9:	10.4	↖
10:	10.5x	↗
Serie		99.0
Total		0.0



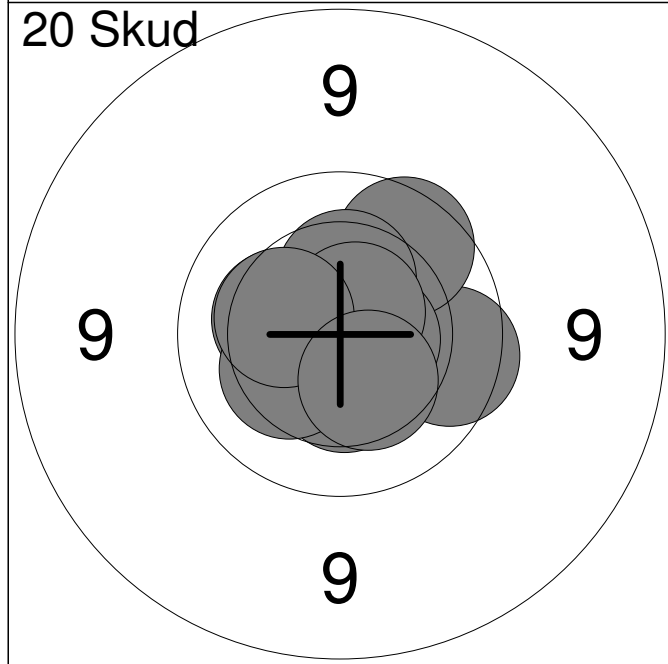
1:	10.5	↓
2:	10.5x	↖
3:	10.2	↙
4:	10.7x	↓
5:	10.7x	↑
6:	10.5	↙
7:	10.7x	→
8:	9.9	↖
9:	10.4	→
10:	10.0	↓
Serie		99.0
Total		99.0



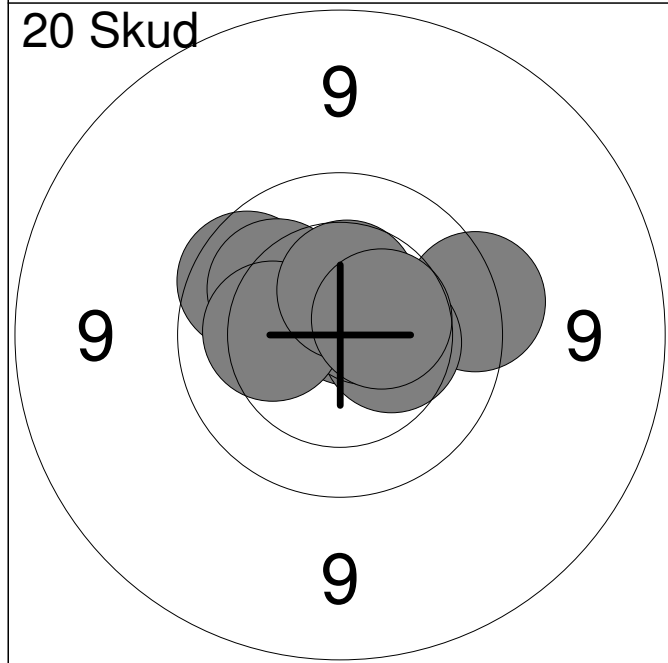
11:	10.3	↓
12:	10.2	↓
13:	10.6x	↙
14:	10.4	↙
15:	10.4	→
16:	10.9x	↖
17:	10.1	→
18:	10.6x	↙
19:	10.0	↙
20:	10.1	↓
Serie		100.0
Total		199.0



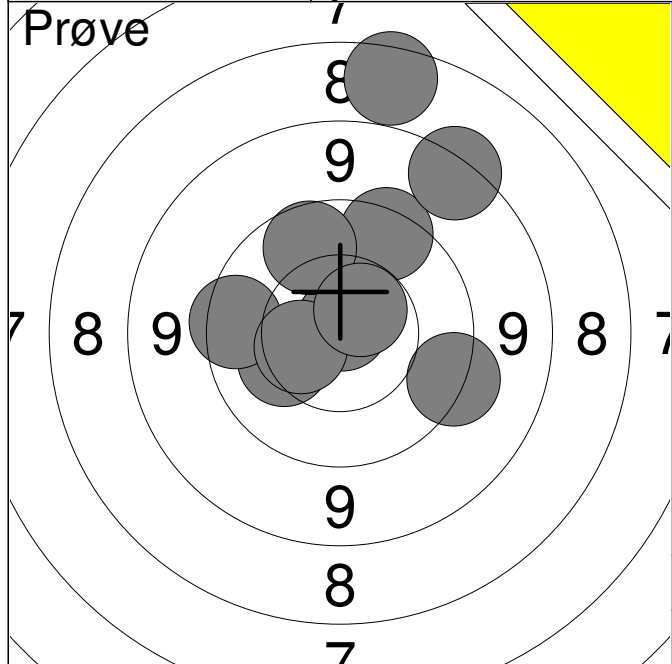
1:	10.6x	←
2:	10.3	→
3:	9.9	↘
4:	10.1	↓
5:	9.8	↘
6:	10.3	↘
7:	10.7x	↑
8:	10.2	↘
9:	10.1	←
10:	10.8x	↑
Serie		98.0
Total		0.0



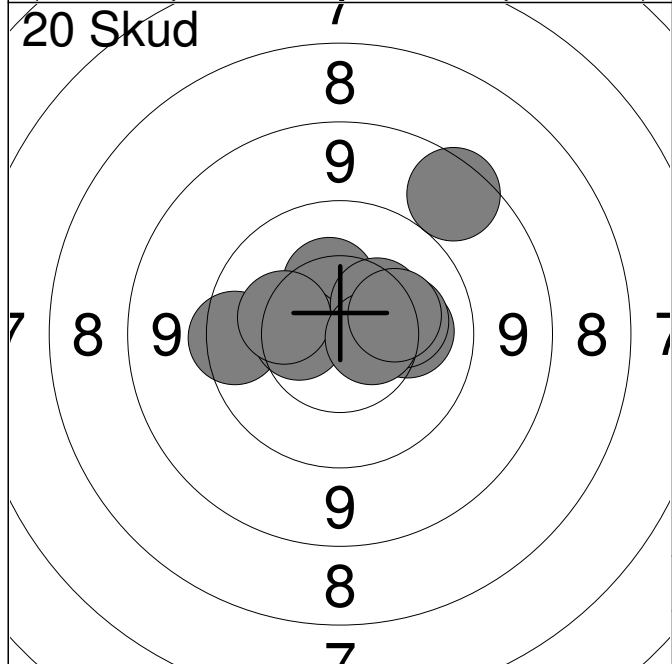
1:	10.3	←
2:	9.8	→
3:	9.9	↗
4:	10.6x	→
5:	10.4	↓
6:	10.3	←
7:	10.4	↑
8:	10.7x	↗
9:	10.3	←
10:	10.4	↓
Serie		98.0
Total		98.0



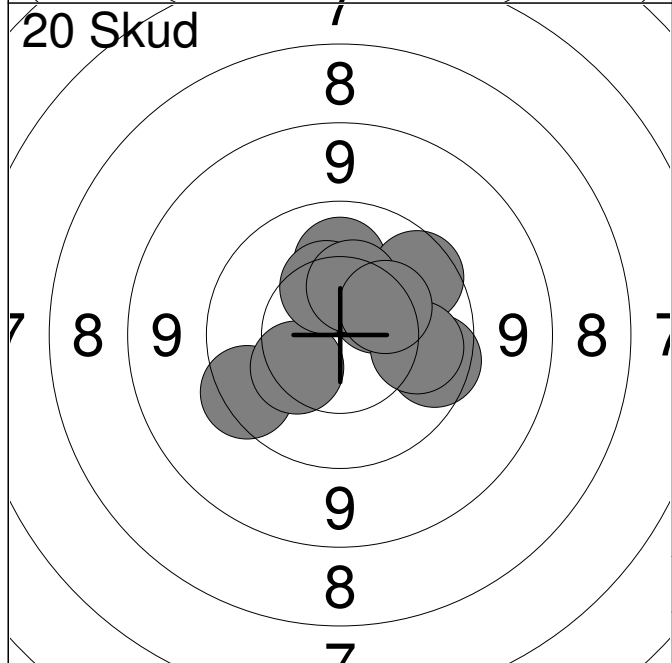
11:	10.5x	↗
12:	9.7	→
13:	10.7x	↗
14:	10.4	→
15:	10.6x	↗
16:	9.9	↗
17:	10.1	↗
18:	10.2	←
19:	10.5	↑
20:	10.5	↗
Serie		98.0
Total		196.0



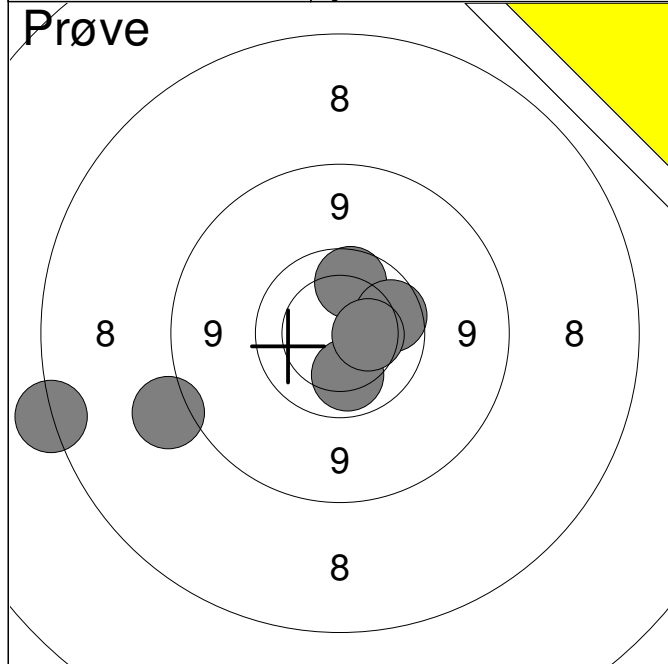
1:	10.2	←
2:	10.8x	↑
3:	9.7	←
4:	9.7	↑
5:	9.5	→
6:	8.5	↗
7:	9.9	↑
8:	7.7	↑
9:	10.5	←
10:	10.6x	↗
<b>Serie</b>		<b>91.0</b>
<b>Total</b>		<b>0.0</b>



1:	8.8	↗
2:	9.7	←
3:	10.4	↑
4:	10.5	←
5:	10.2	→
6:	10.4	↗
7:	10.2	→
8:	10.3	←
9:	10.6	→
10:	10.3	→
<b>Serie</b>		<b>97.0</b>
<b>Total</b>		<b>97.0</b>

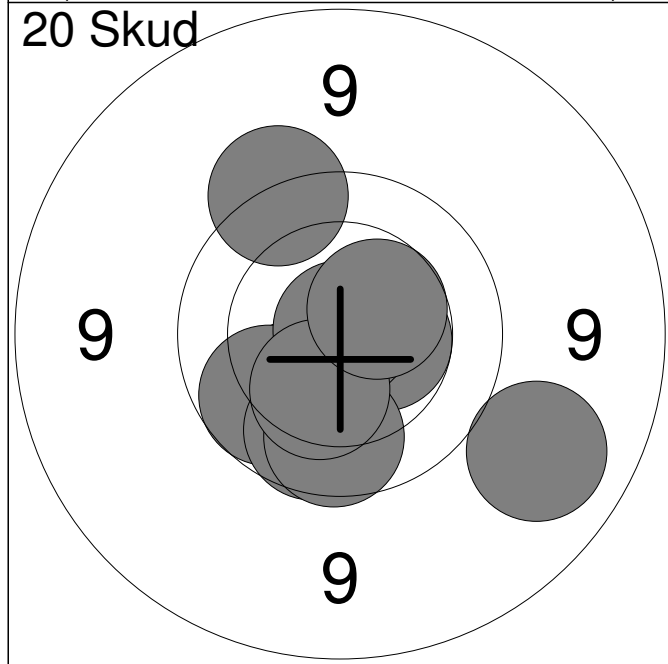


11:	9.8	→
12:	9.7	←
13:	10.1	↑
14:	10.3	←
15:	9.8	↗
16:	10.4	↑
17:	10.4	↗
18:	10.4	↑
19:	10.0	→
20:	10.3	↗
<b>Serie</b>		<b>97.0</b>
<b>Total</b>		<b>194.0</b>



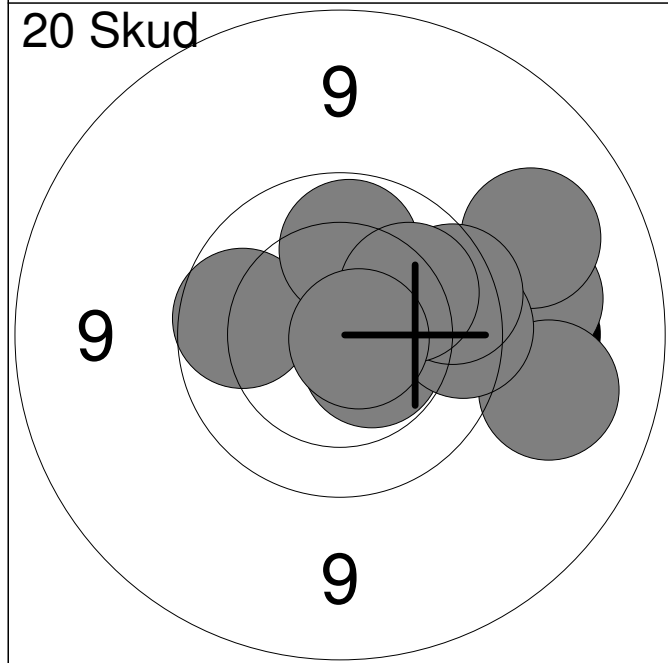
1:	7.7	←
2:	8.5	←
3:	9.9	↑
4:	9.9	→
5:	10.1	↓
6:	10.4	→

Serie	53.0
Total	0.0



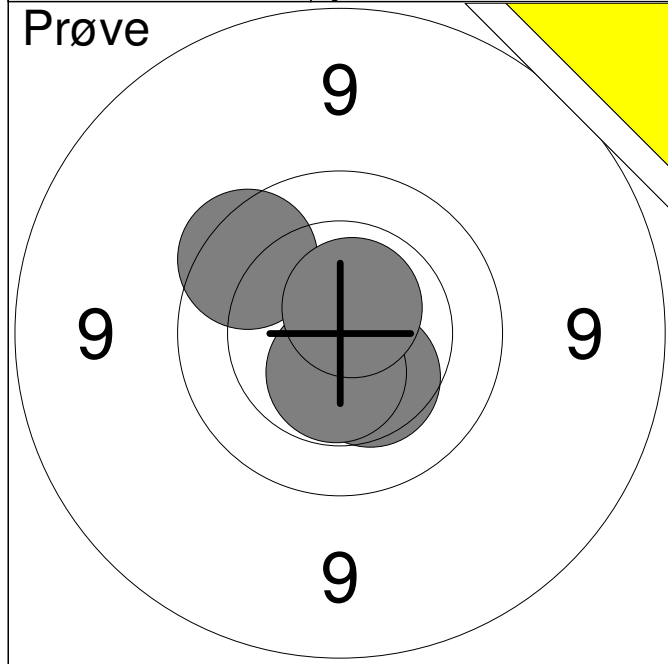
1:	10.2	↙
2:	10.5x	→
3:	9.1	↘
4:	9.9	↙
5:	9.9	↓
6:	9.9	↓
7:	10.9x	↗
8:	9.6	↖
9:	10.3	↘
10:	10.5	↗

Serie	95.0
Total	95.0

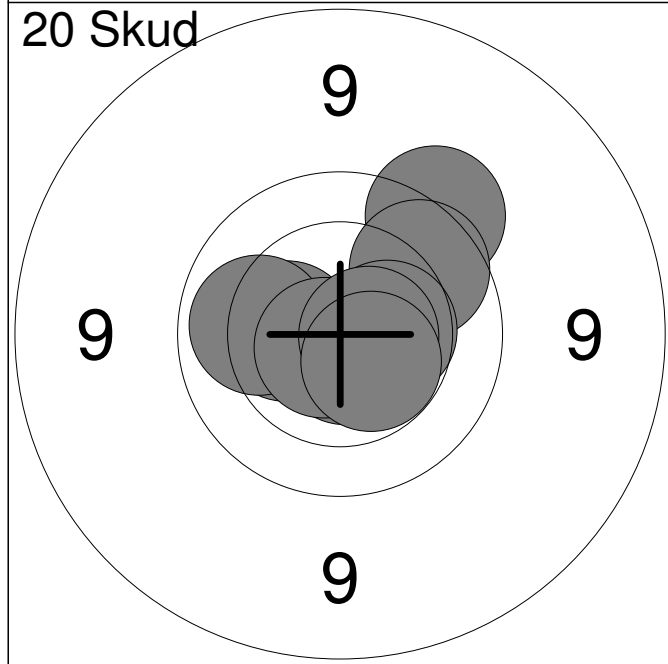


11:	9.3	→
12:	9.2	↗
13:	9.9	←
14:	10.5x	↘
15:	9.2	→
16:	9.8	→
17:	9.8	↗
18:	10.0	↑
19:	10.1	↗
20:	10.7x	→

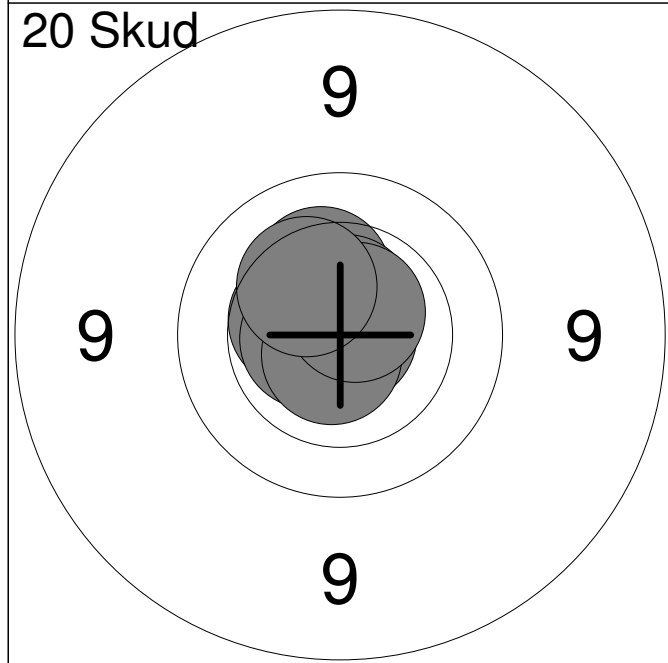
Serie	94.0
Total	189.0



1:	10.4	↘
2:	10.5x	↘
3:	9.8	↗
4:	10.6x	↗
<b>Serie</b>		<b>39.0</b>
<b>Total</b>		<b>0.0</b>

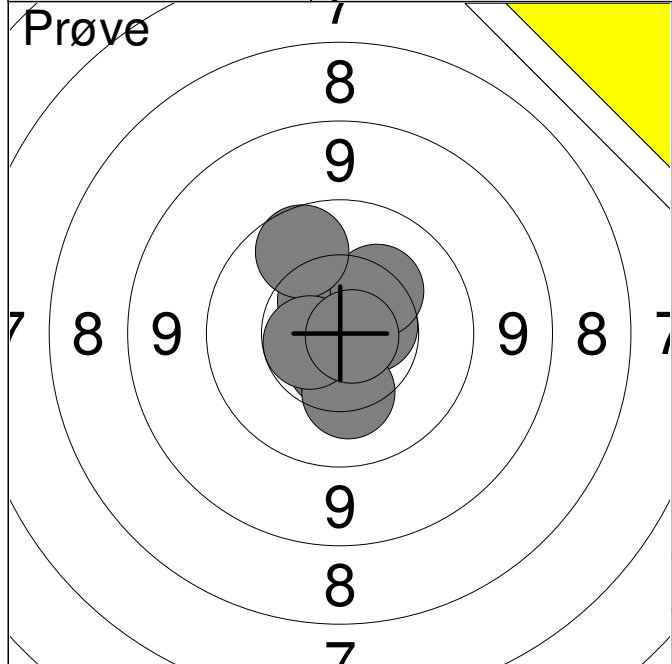


1:	10.4	←
2:	10.1	←
3:	9.6	↗
4:	9.9	↗
5:	10.7x	↘
6:	10.5x	→
7:	10.4	→
8:	10.7x	↙
9:	10.6x	→
10:	10.5x	↘
<b>Serie</b>		<b>98.0</b>
<b>Total</b>		<b>98.0</b>

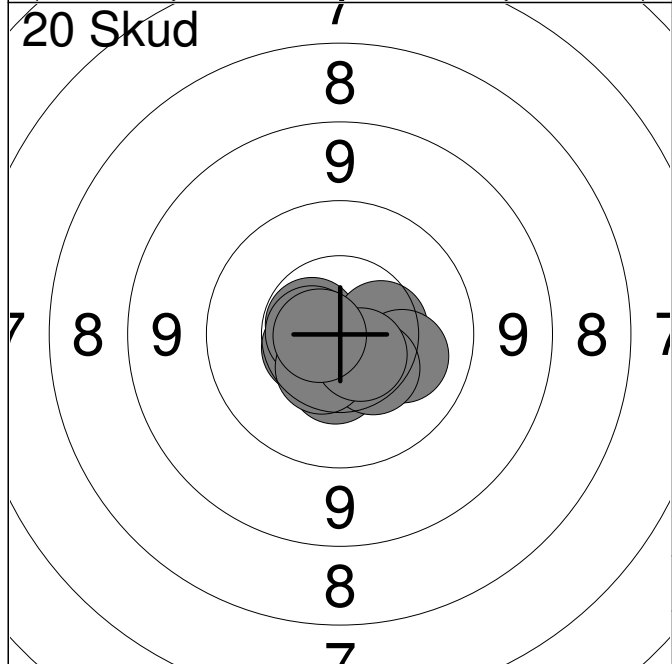


11:	10.7x	↖
12:	10.9x	→
13:	10.3	↗
14:	10.6x	↗
15:	10.7x	↙
16:	10.5	↖
17:	10.6x	←
18:	10.7x	↘
19:	10.7x	↗
20:	10.3	↖
<b>Serie</b>		<b>100.0</b>
<b>Total</b>		<b>198.0</b>

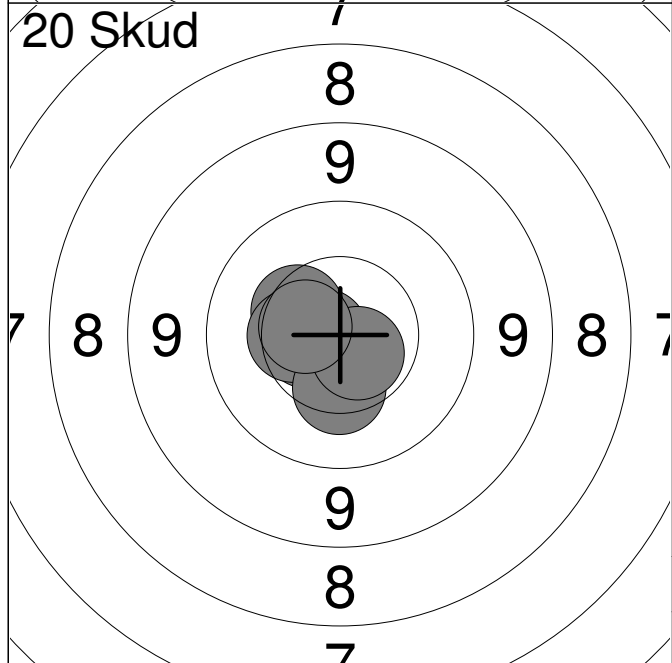
Hold	Skive	Jonas Brix Kristensen			
3	5	AAS	Vester Hassing Skf.		
		Jyllandsstævne 2016	Aalborg Skyttekreds		
		MJ1			
Prøve		1:	10.2	←	
		2:	10.8x	↓	
		3:	10.4	↓	
		4:	10.5	←	
		5:	10.3	→	
		6:	10.6x	↗	
		7:	10.8x	←	
		8:	10.9x	←	
		Serie		80.0	
		Total		0.0	
20 Skud		1:	10.1	↓	
		2:	10.5	↓	
		3:	10.5x	→	
		4:	10.7x	↓	
		5:	10.5	↗	
		6:	10.3	↗	
		7:	10.6x	↗	
		8:	9.9	→	
		9:	10.6x	↓	
		10:	10.4	→	
Serie		99.0			
Total		99.0			
20 Skud		11:	10.8x	↗	
		12:	10.5x	↓	
		13:	10.4	↓	
		14:	10.9x	↓	
		15:	10.5x	↑	
		16:	10.9x	↓	
		17:	10.6x	↗	
		18:	10.6x	↓	
		19:	10.1	↗	
		20:	10.5x	→	
Serie		100.0			
Total		199.0			



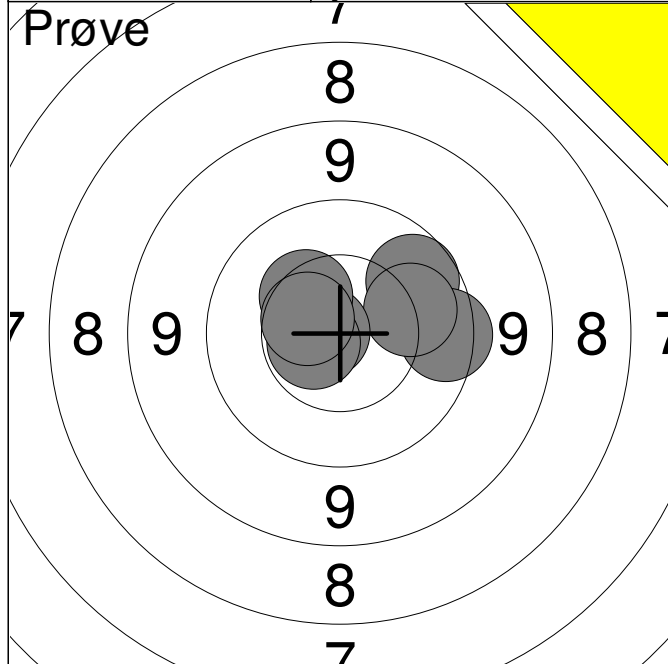
1:	10.6x	→
2:	10.6x	↓
3:	10.5	↑
4:	10.6	→
5:	10.3	↗
6:	10.8x	↓
7:	9.9	↗
8:	10.3	↓
9:	10.6	←
10:	10.8x	→
<b>Serie</b>		<b>99.0</b>
<b>Total</b>		<b>0.0</b>



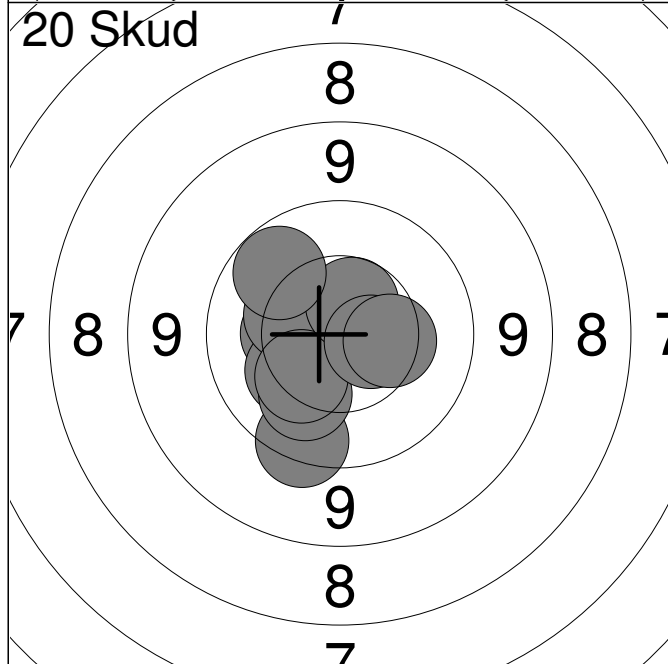
1:	10.6x	←
2:	10.4	↓
3:	10.6	←
4:	10.5	→
5:	10.2	↘
6:	10.4	↓
7:	10.6x	←
8:	10.5	↓
9:	10.6x	↓
10:	10.7x	←
<b>Serie</b>		<b>100.0</b>
<b>Total</b>		<b>100.0</b>



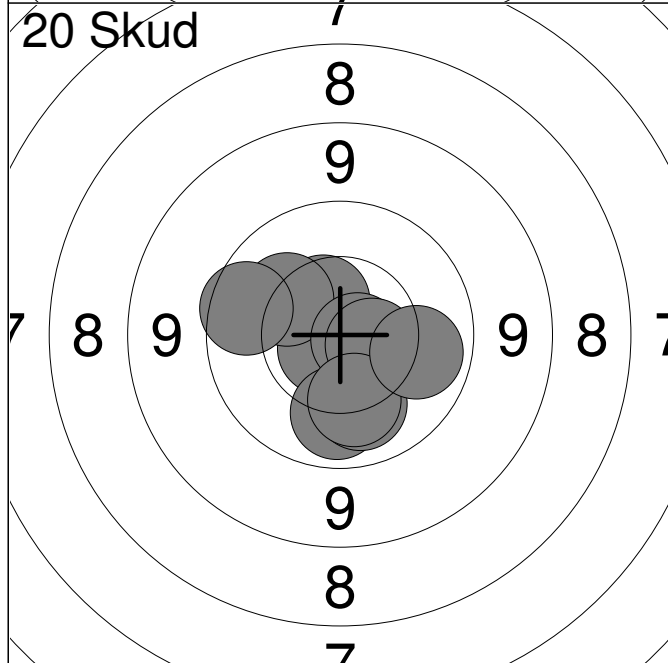
11:	10.7x	←
12:	10.6x	↓
13:	10.6x	↓
14:	10.6	←
15:	10.6	←
16:	10.4	↗
17:	10.4	←
18:	10.3	↓
19:	10.7x	↓
20:	10.5	←
<b>Serie</b>		<b>100.0</b>
<b>Total</b>		<b>200.0</b>



1:	9.9	↗
2:	9.7	→
3:	10.1	→
4:	10.8x	←
5:	10.6x	←
6:	10.4	↗
7:	10.5	↗
<b>Serie</b>		<b>68.0</b>
<b>Total</b>		<b>0.0</b>

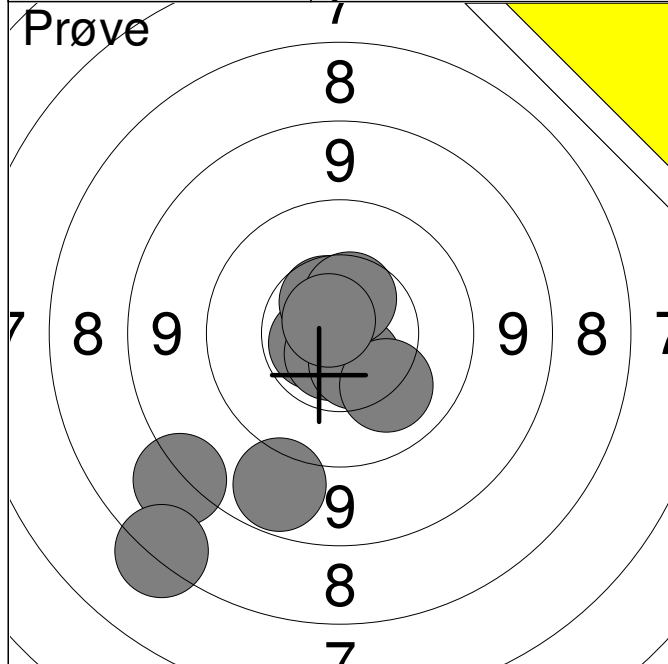


1:	10.3	←
2:	9.6	↘
3:	10.2	↘
4:	10.3	↖
5:	10.1	↘
6:	10.3	↘
7:	10.6	↗
8:	10.0	↗
9:	10.6	→
10:	10.4	→
<b>Serie</b>		<b>99.0</b>
<b>Total</b>		<b>99.0</b>

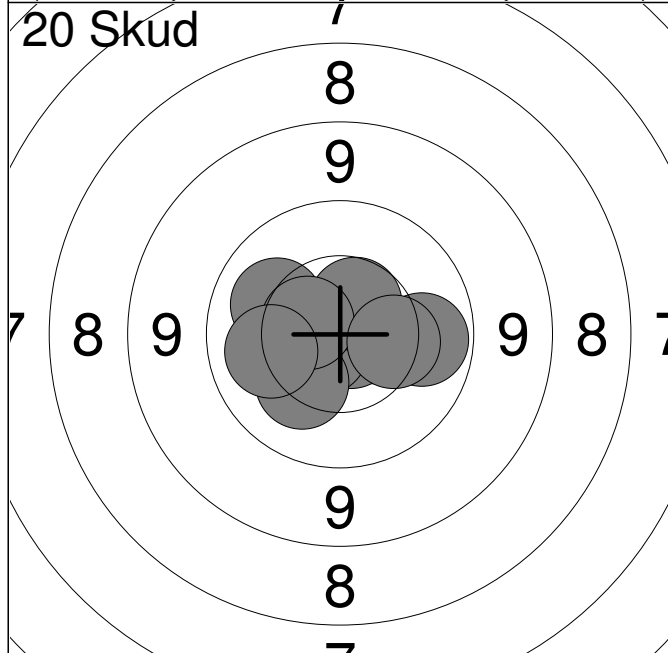


11:	10.5	↗
12:	10.7x	↖
13:	10.2	↗
14:	10.0	↘
15:	9.8	↖
16:	10.7x	→
17:	10.1	↘
18:	10.6	→
19:	10.2	↘
20:	10.0	→
<b>Serie</b>		<b>99.0</b>
<b>Total</b>		<b>198.0</b>

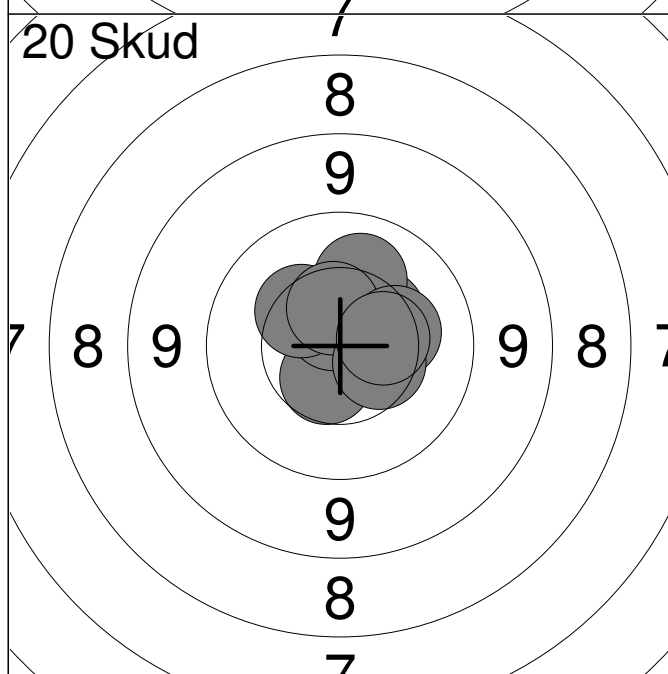




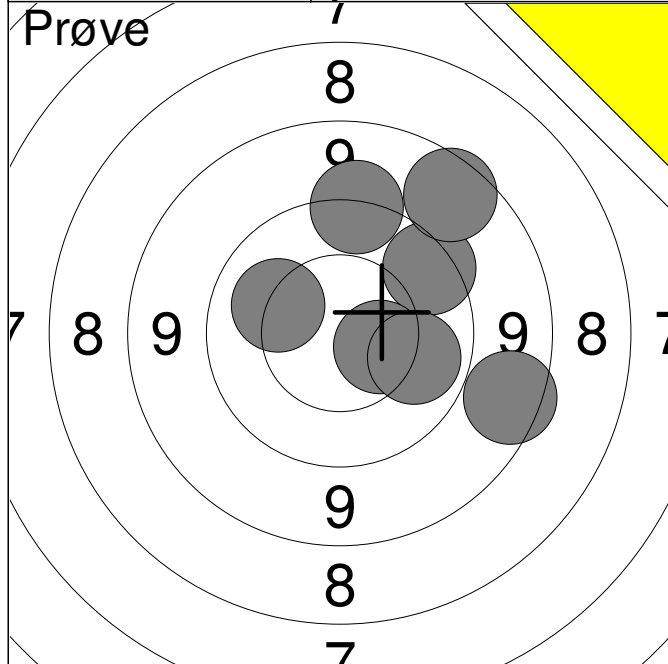
1:	8.3	↙
2:	7.5	↙
3:	9.0	↙
4:	10.6x	↙
5:	10.7x	↙
6:	10.6	↙
7:	10.6	↗
8:	10.1	↙
9:	10.5	↗
10:	10.8x	↗
<b>Serie</b>		<b>94.0</b>
<b>Total</b>		<b>0.0</b>



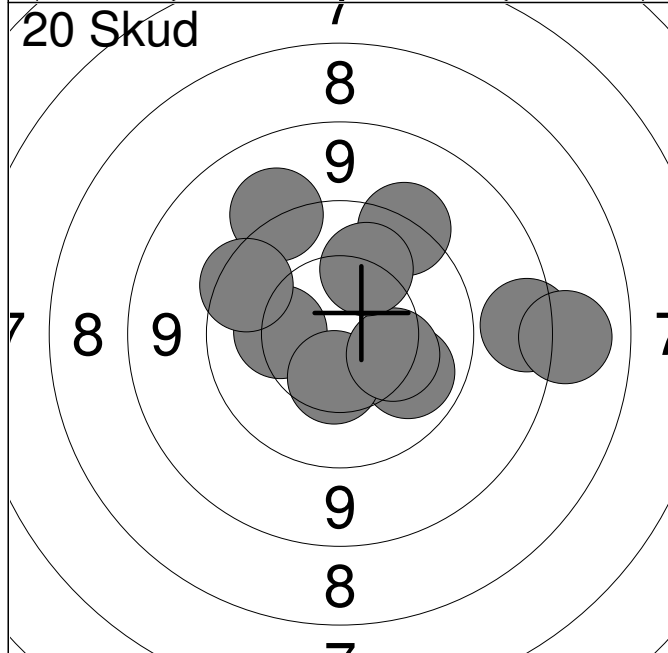
1:	10.0	→
2:	10.6	→
3:	10.8x	↙
4:	10.1	↗
5:	10.7x	↙
6:	10.2	↙
7:	10.6	↗
8:	10.6	↙
9:	10.1	←
10:	10.3	→
<b>Serie</b>		<b>100.0</b>
<b>Total</b>		<b>100.0</b>



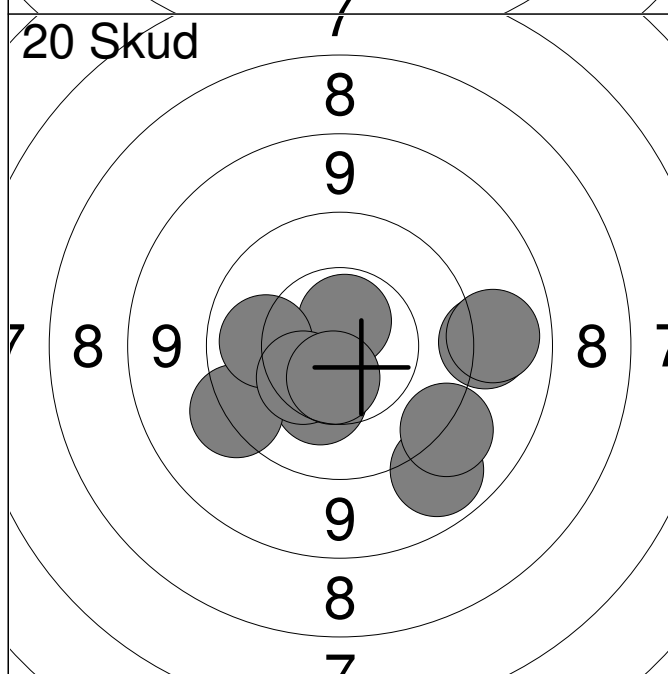
11:	10.5	↙
12:	10.6x	↗
13:	10.7x	↗
14:	10.4	↗
15:	10.3	↙
16:	10.2	↗
17:	10.5	↗
18:	10.3	→
19:	10.5	↙
20:	10.4	→
<b>Serie</b>		<b>100.0</b>
<b>Total</b>		<b>200.0</b>



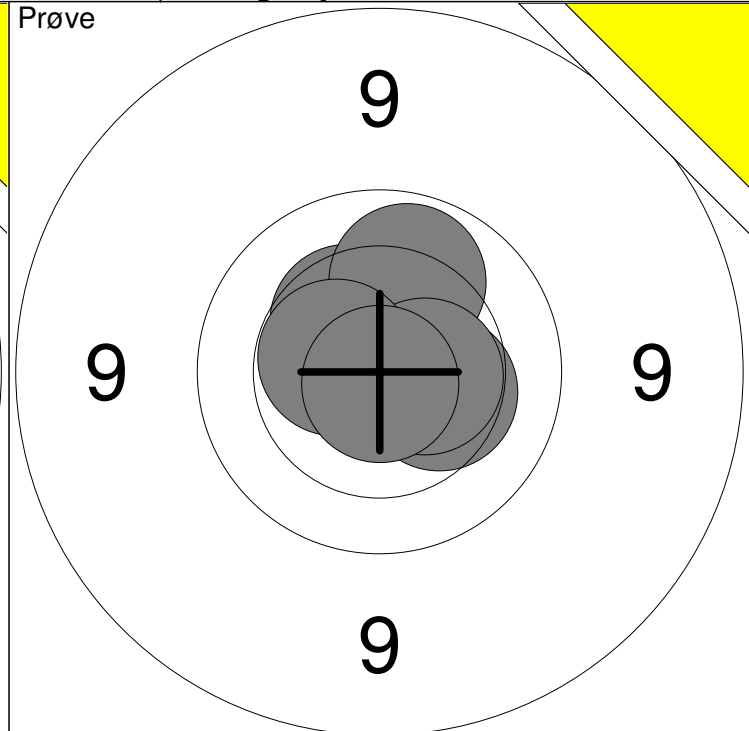
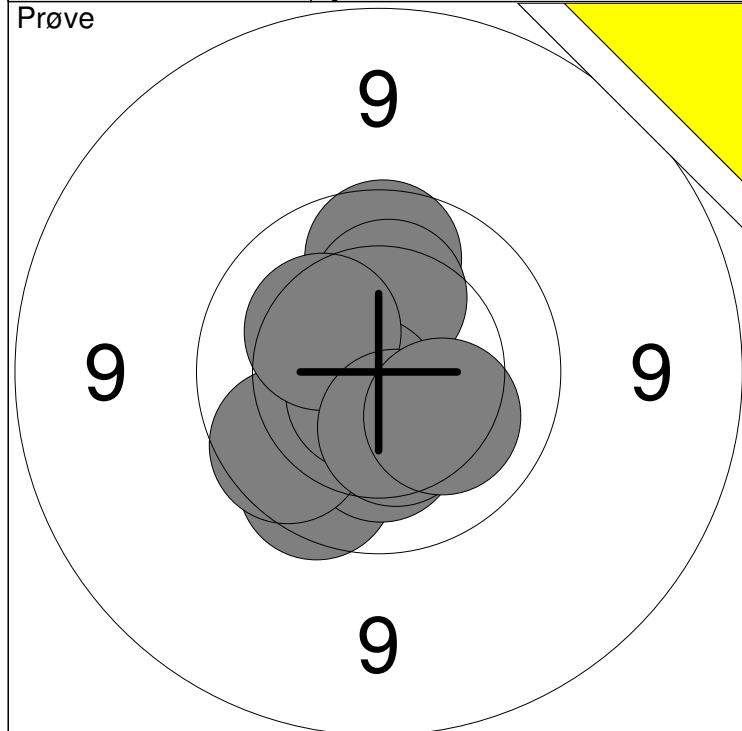
1:	9.4	↑
2:	9.6	↗
3:	10.5	→
4:	8.8	↗
5:	8.7	→
6:	10.2	↗
7:	10.0	→
<b>Serie</b>		<b>64.0</b>
<b>Total</b>		<b>0.0</b>



1:	9.3	↗
2:	10.3	←
3:	8.7	→
4:	9.5	↗
5:	9.7	↗
6:	10.1	↘
7:	10.4	↓
8:	8.2	→
9:	10.3	→
10:	10.1	↗
<b>Serie</b>		<b>93.0</b>
<b>Total</b>		<b>93.0</b>

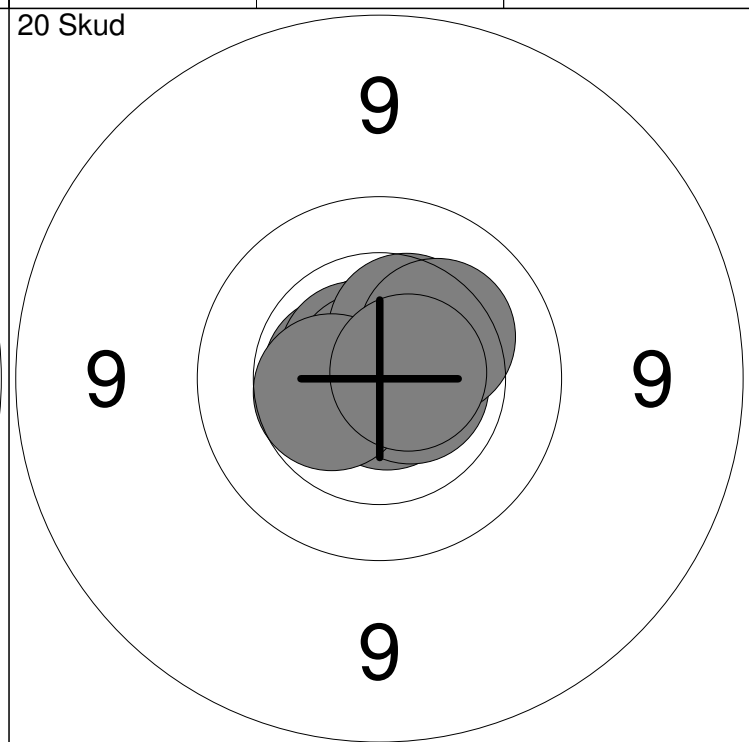
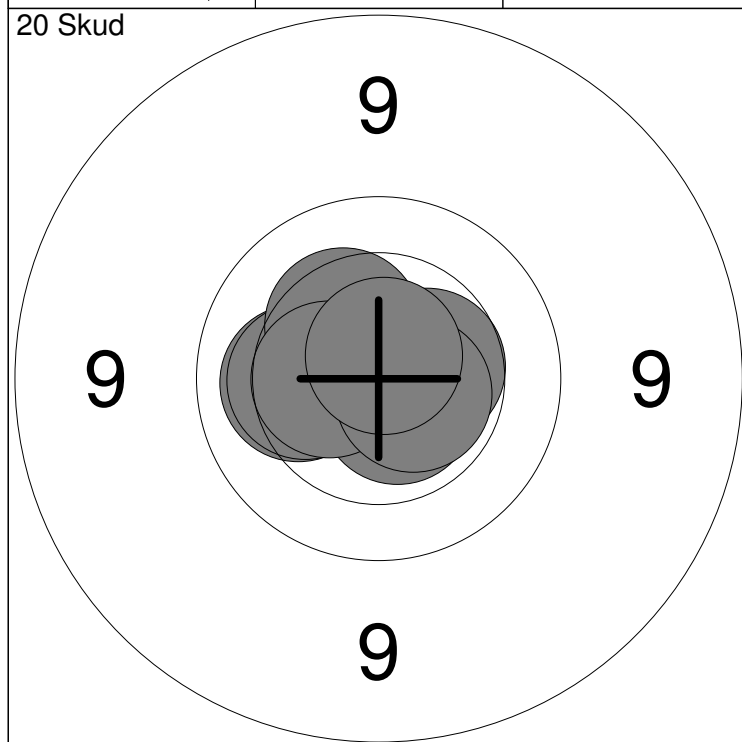


11:	9.2	→
12:	9.1	↘
13:	9.1	→
14:	10.3	↘
15:	9.5	↙
16:	10.7x	↑
17:	10.1	←
18:	10.4	↙
19:	10.6	↘
20:	9.3	↘
<b>Serie</b>		<b>95.0</b>
<b>Total</b>		<b>188.0</b>



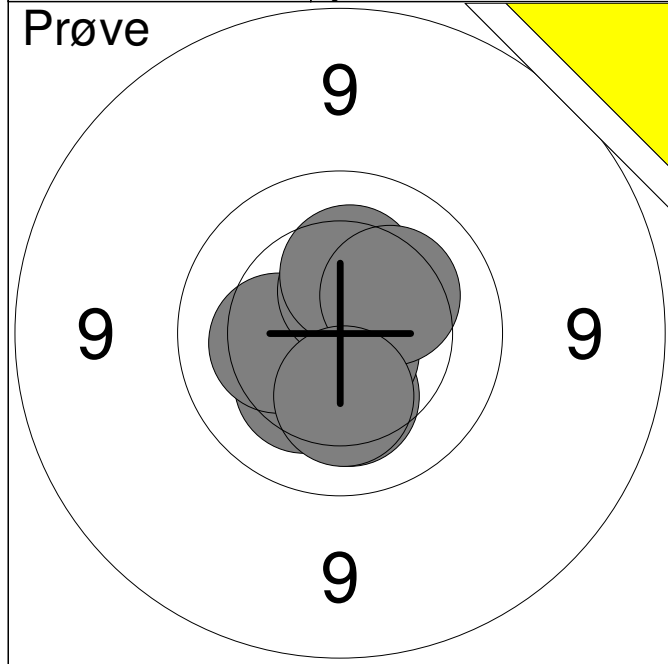
1: 9.8 ↙	6: 9.9 ↙	Serie	97
2: 10.6x ↓	7: 10.7x ↙		
3: 9.9 ↑	8: 10.3 ↖	Total	0
4: 10.3 ↓	9: 10.4 ↓		
5: 10.2 ↑	10: 10.2 ↘		

11: 10.4 ↗	16: 10.8x ↓	Serie	60
12: 10.3 →	13: 10.0 ↑		
14: 10.5x →	15: 10.5x ↖	Total	0

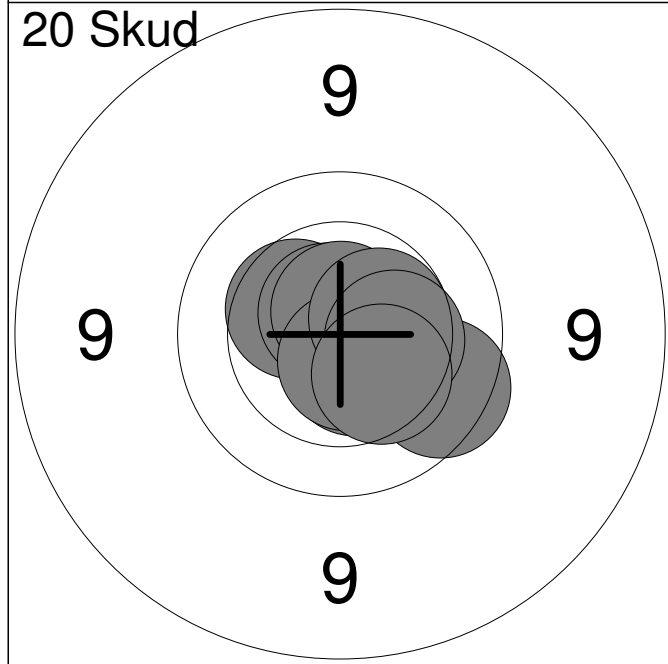


1: 10.2 ←	6: 10.6x ↓	Serie	100
2: 10.5 →	7: 10.8x ↗		
3: 10.8x ↓	8: 10.5 ←	Total	100
4: 10.2 ←	9: 10.6x ↘		
5: 10.3 ↗	10: 10.7x ↑		

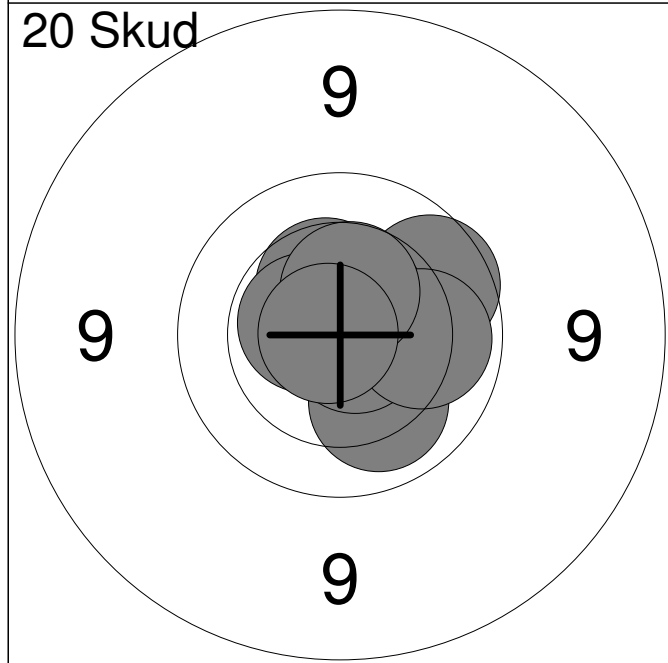
11: 10.6x ←	16: 10.8x ↓	Serie	100
12: 10.7x ↑	17: 10.6x →		
13: 10.7x ↖	18: 10.3 ↗	Total	200
14: 10.8x ↖	19: 10.5 ←		
15: 10.4 ↗	20: 10.7x →		



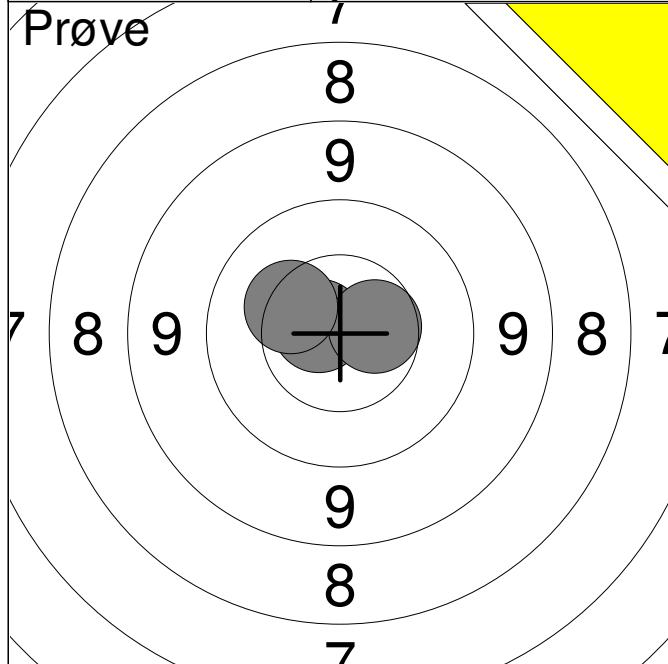
1:	10.3	↓
2:	10.6x	↓
3:	10.3	↙
4:	10.7x	↓
5:	10.3	←
6:	10.5	↑
7:	10.3	↑
8:	10.3	↗
9:	10.3	↓
<b>Serie</b>		<b>90.0</b>
<b>Total</b>		<b>0.0</b>



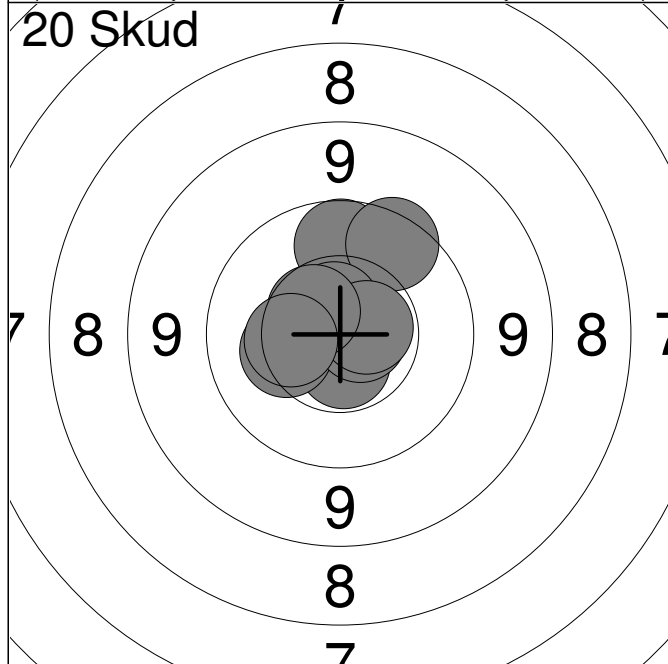
1:	10.4	↗
2:	10.7x	↑
3:	9.8	↘
4:	10.7x	↑
5:	10.6x	↓
6:	10.4	→
7:	10.6x	↓
8:	10.5x	→
9:	10.4	→
10:	10.3	↓
<b>Serie</b>		<b>99.0</b>
<b>Total</b>		<b>99.0</b>



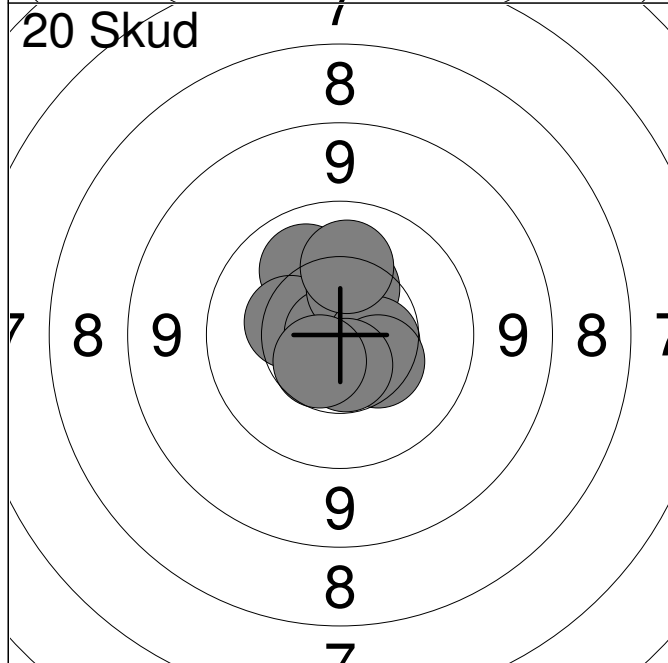
11:	10.1	↓
12:	10.8x	↓
13:	10.4	↑
14:	9.9	↗
15:	10.6x	↑
16:	10.8x	↗
17:	10.1	→
18:	10.6x	←
19:	10.5	↑
20:	10.8x	←
<b>Serie</b>		<b>99.0</b>
<b>Total</b>		<b>198.0</b>



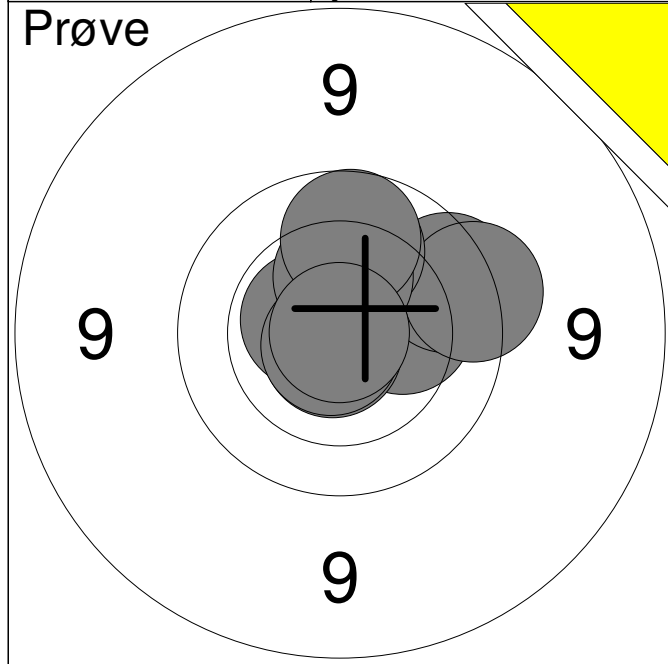
	1:	10.7x	↖
	2:	10.5	→
	3:	10.3	↗
<hr/>			
	Serie		30.0
	Total		0.0



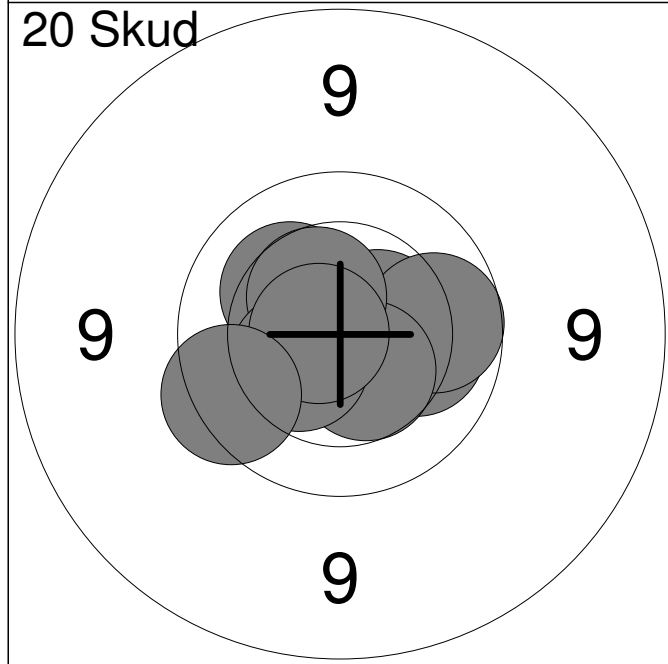
	1:	9.9	↑
	2:	10.6x	↓
	3:	10.3	↖
	4:	10.7x	↗
	5:	9.7	↗
	6:	10.7x	→
	7:	10.6x	↑
	8:	10.6x	→
	9:	10.5	↗
	10:	10.4	↖
<hr/>			
	Serie		98.0
	Total		98.0



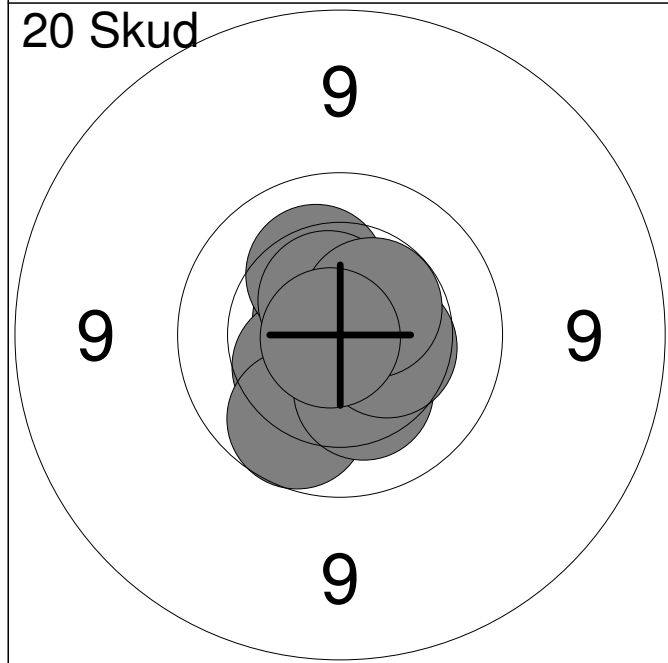
	11:	10.1	↗
	12:	10.7x	↖
	13:	10.4	↖
	14:	10.8x	↖
	15:	10.4	↑
	16:	10.6	→
	17:	10.4	↘
	18:	10.6x	↓
	19:	10.6	↙
	20:	10.2	↑
<hr/>			
	Serie		100.0
	Total		198.0



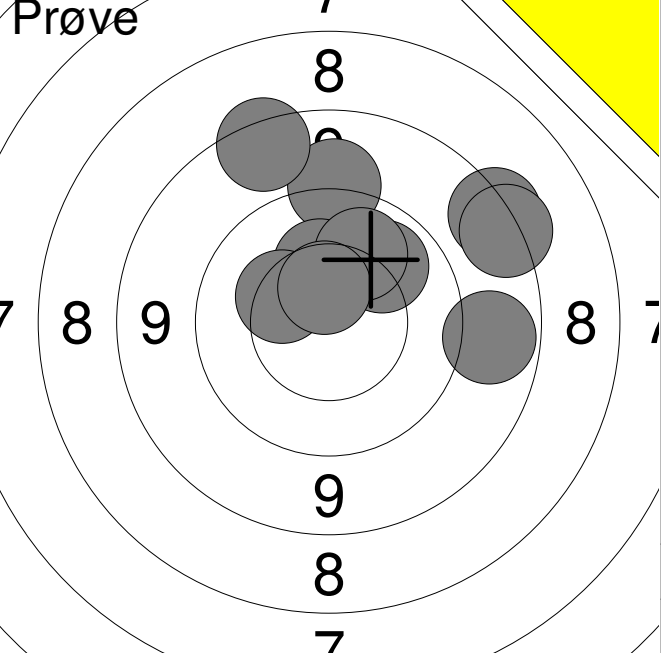
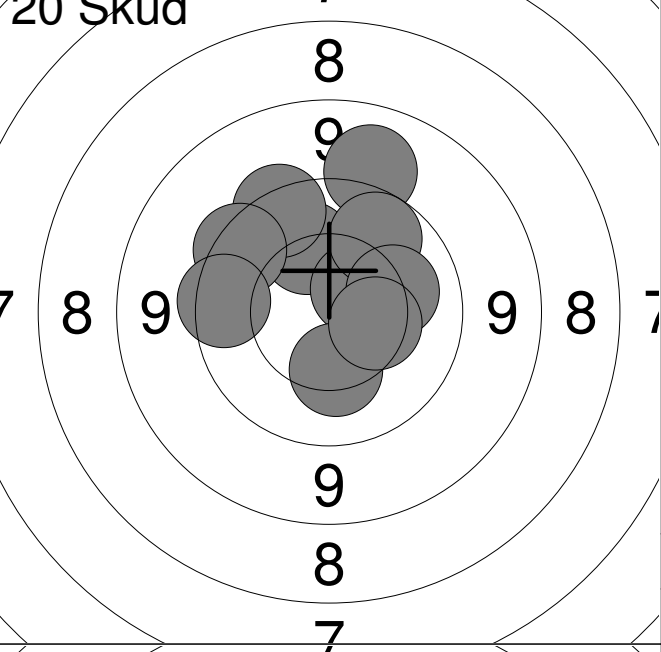
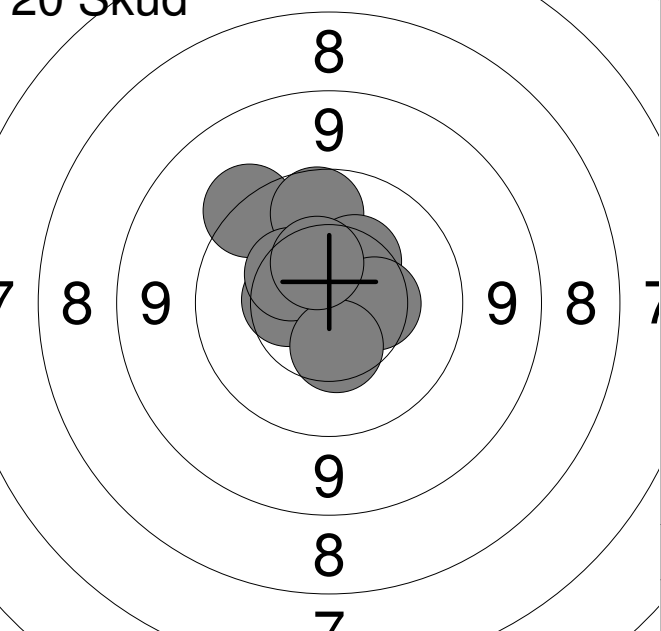
1:	10.3	→
2:	9.8	→
3:	10.6x	↖
4:	9.7	→
5:	10.1	↑
6:	10.3	↑
7:	9.9	↑
8:	10.8x	↙
9:	10.8x	↙
10:	10.9x	↖
<b>Serie</b>		<b>97.0</b>
<b>Total</b>		<b>0.0</b>

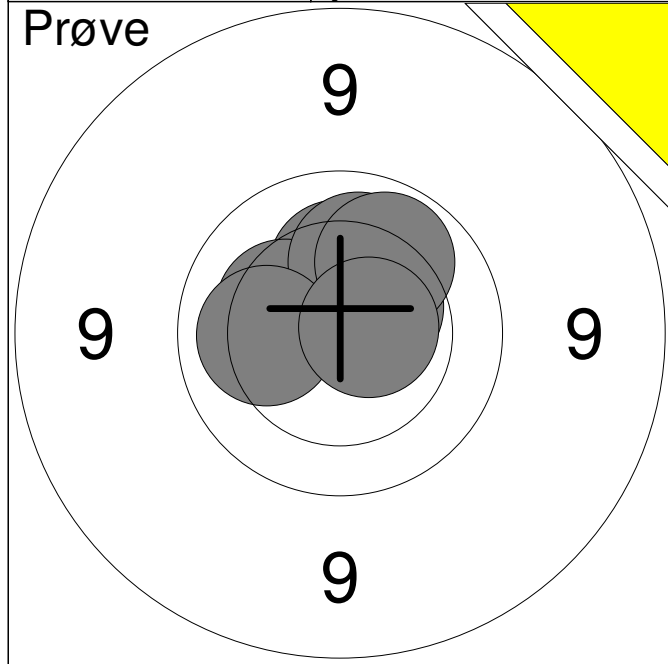


1:	10.5x	→
2:	10.1	→
3:	9.9	→
4:	10.6x	←
5:	10.5	↘
6:	10.2	↗
7:	10.5	↗
8:	10.4	↙
9:	10.7x	←
10:	9.8	↙
<b>Serie</b>		<b>98.0</b>
<b>Total</b>		<b>98.0</b>

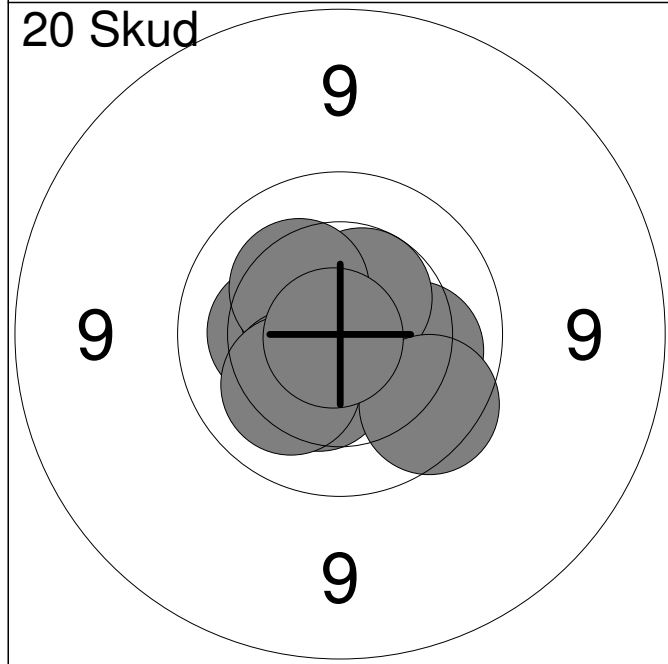


11:	10.5x	→
12:	10.7x	↗
13:	10.4	↙
14:	9.9	↘
15:	10.3	↘
16:	10.2	↗
17:	10.6x	↗
18:	10.4	→
19:	10.5x	↗
20:	10.8x	←
<b>Serie</b>		<b>99.0</b>
<b>Total</b>		<b>197.0</b>

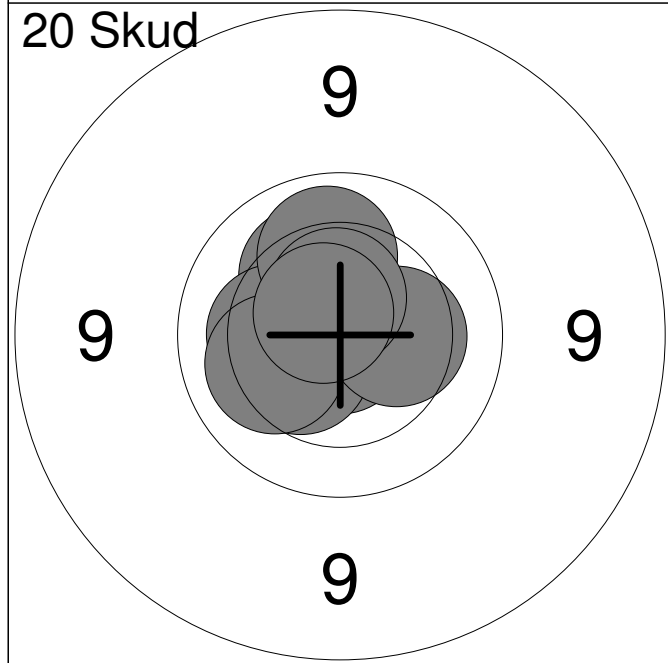
	Jyllandsstævne 2016		Aalborg Skyttekreds
<b>Prøve</b> 	7		1: 9.3 ↑
	8		2: 8.6 ↑
	9		3: 9.0 →
	8		4: 10.1 ↗
	9		5: 8.5 ↗
	8		6: 8.5 →
	9		7: 10.3 ↑
	8		8: 10.1 ↑
	9		9: 10.3 ↗
	8		10: 10.5 ↑
		<b>Serie</b>	
	<b>Total</b>		<b>0.0</b>
<b>20 Skud</b> 	7		1: 10.2 ↑
	8		2: 10.5 ↗
	9		3: 9.2 ↑
	8		4: 9.9 ↗
	9		5: 10.2 →
	8		6: 9.6 ↑
	9		7: 9.7 ↗
	8		8: 10.3 ↓
	9		9: 9.7 ←
	8		10: 10.4 →
		<b>Serie</b>	
	<b>Total</b>		<b>95.0</b>
<b>20 Skud</b> 	7		11: 10.6x ↗
	8		12: 10.7x ↑
	9		13: 9.5 ↗
	8		14: 10.5 ←
	9		15: 9.9 ↑
	8		16: 10.4 ↗
	9		17: 10.4 →
	8		18: 10.4 ↗
	9		19: 10.4 ↓
	8		20: 10.5 ↑
		<b>Serie</b>	
	<b>Total</b>		<b>193.0</b>



1:	10.5x	↗
2:	10.3	↑
3:	10.4	↑
4:	10.3	↖
5:	10.6x	↗
6:	10.2	↑
7:	10.0	↗
8:	10.2	←
9:	10.6x	→
<b>Serie</b>		<b>90.0</b>
<b>Total</b>		<b>0.0</b>

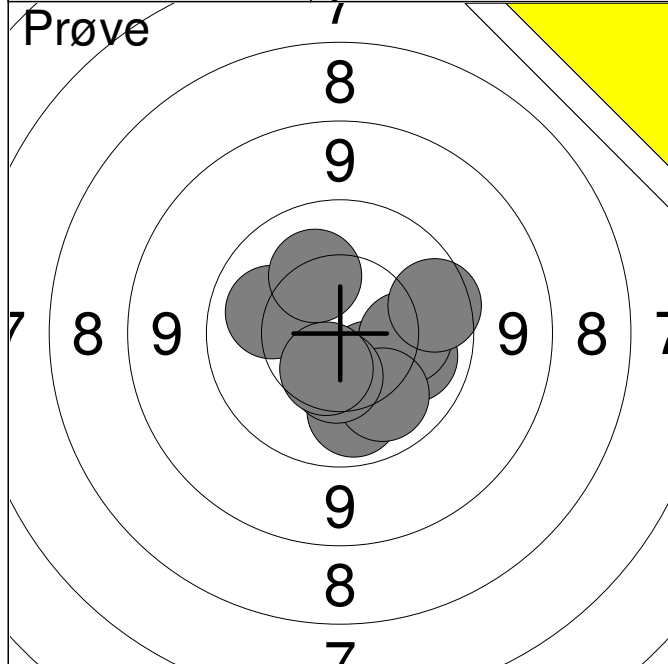


1:	10.3	←
2:	10.5x	↗
3:	10.1	→
4:	10.5x	↗
5:	10.3	↗
6:	10.3	↙
7:	10.4	↙
8:	9.8	↘
9:	10.2	↙
10:	10.9x	↙
<b>Serie</b>		<b>99.0</b>
<b>Total</b>		<b>99.0</b>

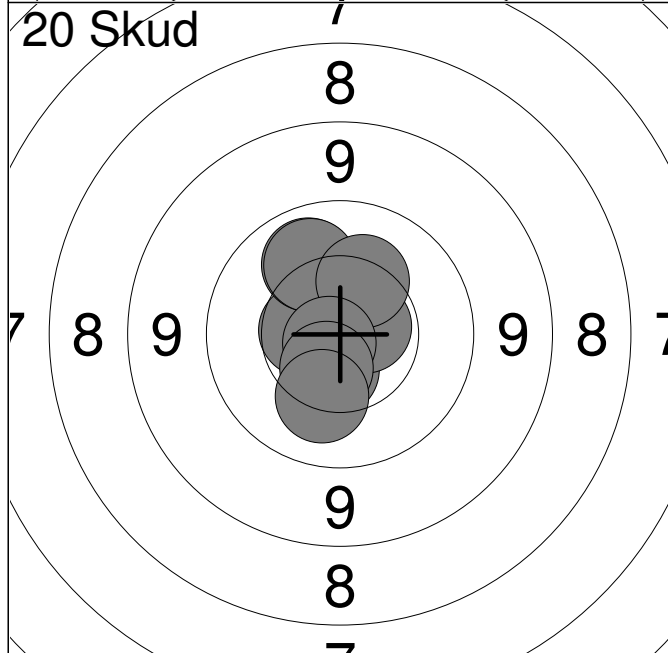


11:	10.2	↖
12:	10.8x	↓
13:	10.3	←
14:	10.1	↑
15:	10.7x	←
16:	10.4	↙
17:	10.2	↙
18:	10.3	→
19:	10.6x	↑
20:	10.7x	↖
<b>Serie</b>		<b>100.0</b>
<b>Total</b>		<b>199.0</b>

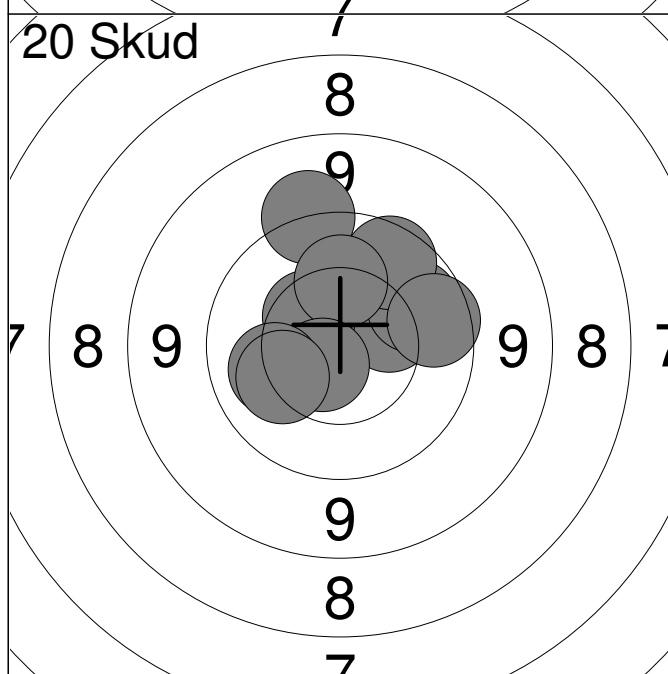




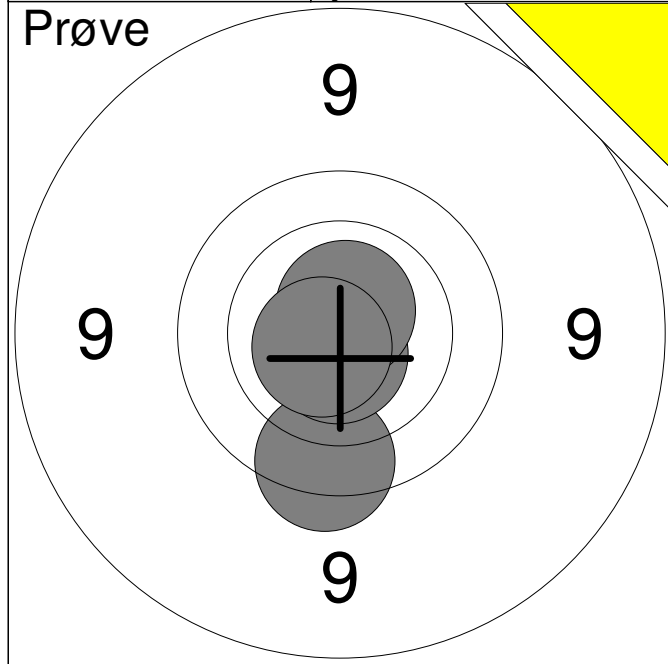
1:	10.4	↘
2:	10.1	→
3:	10.2	→
4:	10.0	↘
5:	9.8	→
6:	10.1	↘
7:	10.4	↘
8:	10.1	←
9:	10.5	↘
10:	10.2	↑
<b>Serie</b>		<b>99.0</b>
<b>Total</b>		<b>0.0</b>



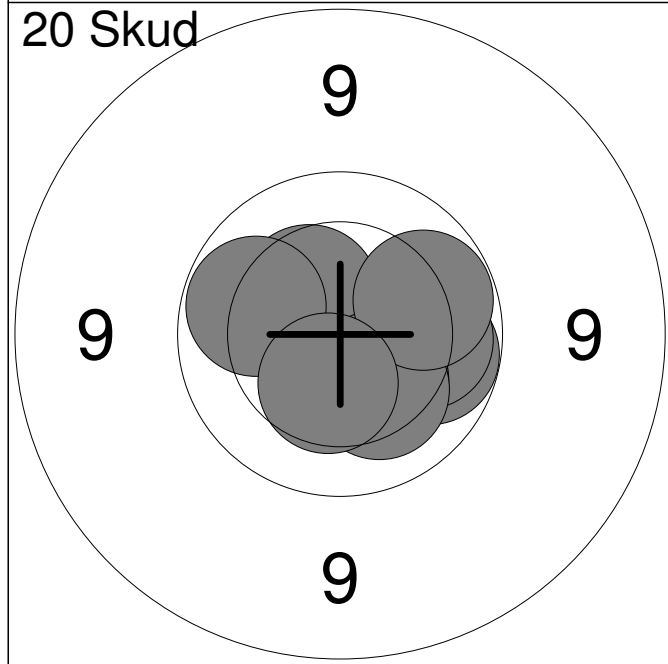
1:	10.4	↑
2:	10.5	↘
3:	10.5	←
4:	10.6x	→
5:	10.1	↑
6:	10.1	↑
7:	10.3	↑
8:	10.8x	↙
9:	10.5	↘
10:	10.2	↘
<b>Serie</b>		<b>100.0</b>
<b>Total</b>		<b>100.0</b>



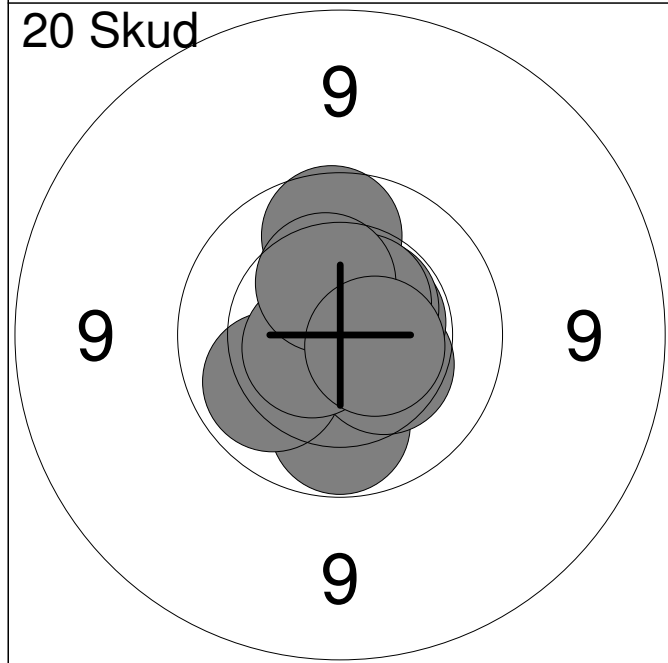
11:	10.3	→
12:	10.5	↖
13:	10.0	→
14:	9.4	↑
15:	9.8	↑
16:	9.8	→
17:	10.2	↑
18:	10.7x	↙
19:	10.1	←
20:	10.2	↙
<b>Serie</b>		<b>97.0</b>
<b>Total</b>		<b>197.0</b>



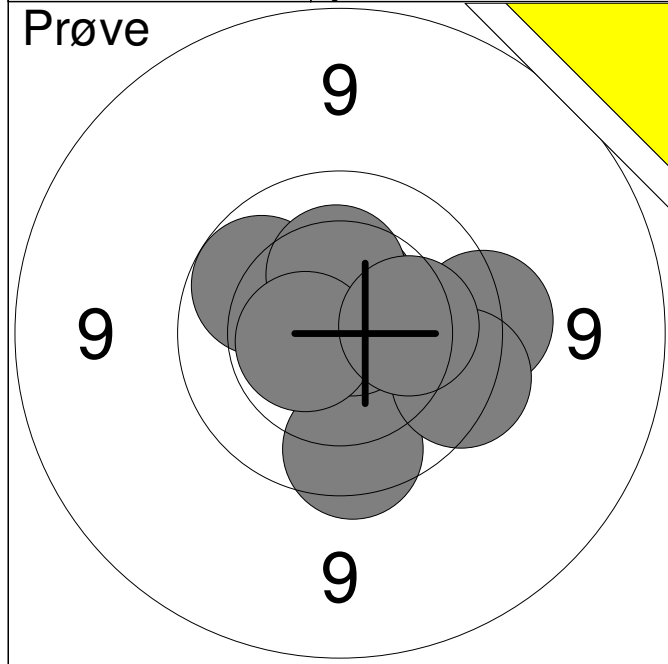
1:	9.7	↓
2:	10.7x	↓
3:	10.7x	↑
4:	10.7x	↙
Serie		39.0
Total		0.0



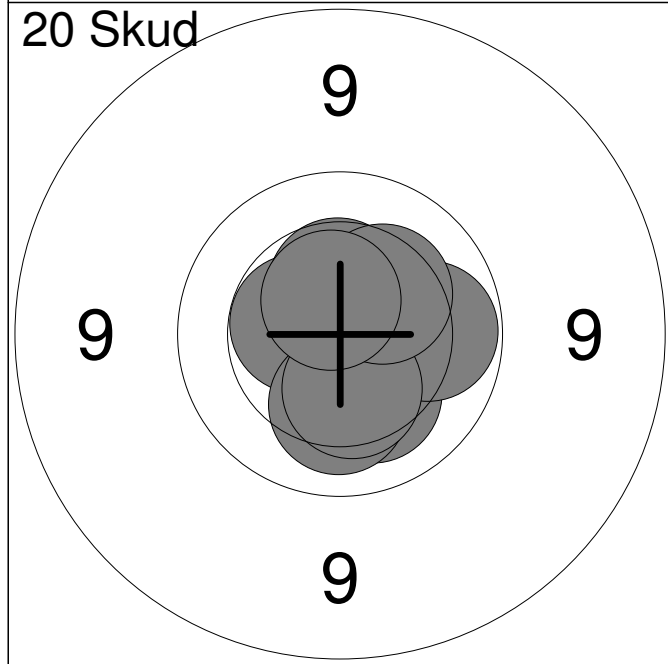
1:	10.0	→
2:	10.4	↖
3:	10.6x	↓
4:	10.0	→
5:	10.4	↗
6:	10.3	↓
7:	10.2	↓
8:	10.0	→
9:	10.0	↖
10:	10.4	↓
Serie		100.0
Total		100.0



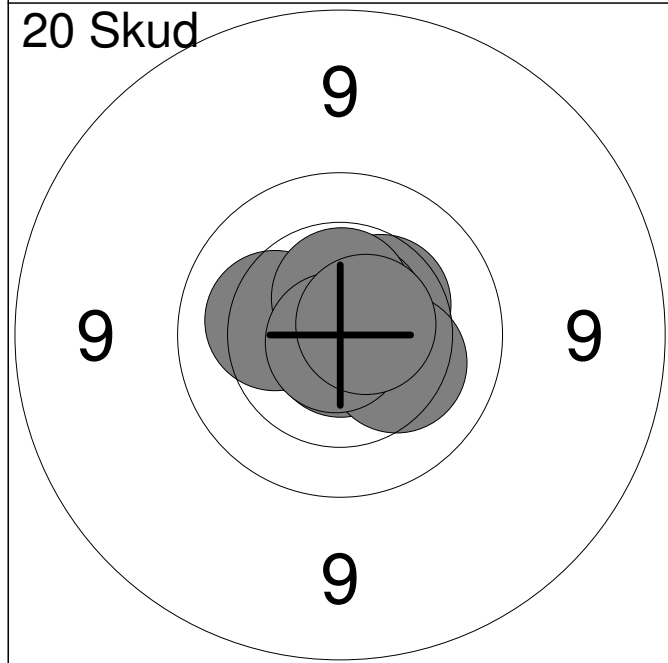
11:	10.0	↓
12:	10.1	↙
13:	10.4	↘
14:	10.5x	→
15:	10.5x	↗
16:	9.9	↑
17:	10.5x	↗
18:	10.6x	↙
19:	10.4	↑
20:	10.6x	→
Serie		99.0
Total		199.0



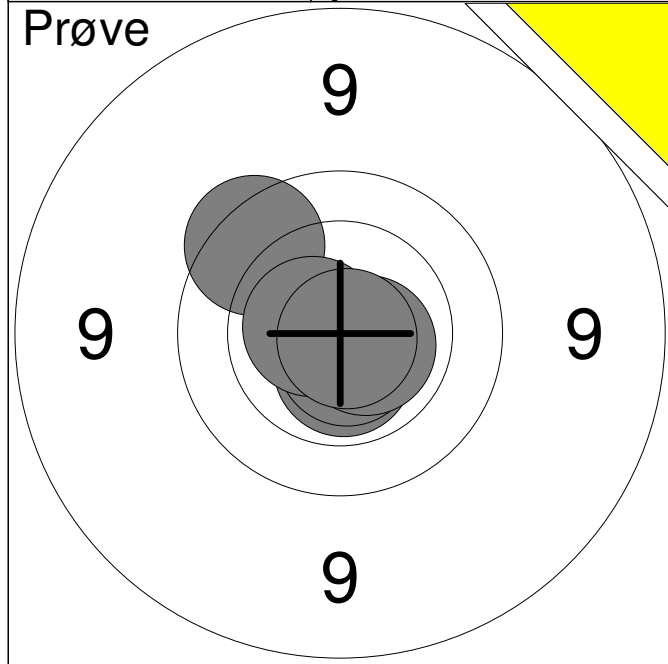
1:	9.6	→
2:	10.2	→
3:	9.8	↓
4:	9.7	→
5:	10.8x	↗
6:	10.0	↖
7:	10.5x	↑
8:	10.3	↑
9:	10.6x	←
10:	10.2	→
Serie		97.0
Total		0.0



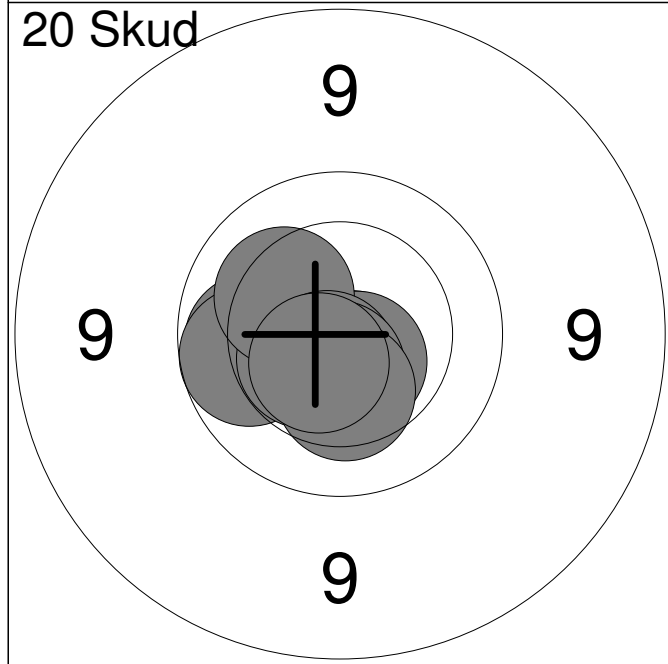
1:	10.5x	←
2:	10.2	↓
3:	10.2	↓
4:	10.5x	→
5:	10.7x	↑
6:	10.0	→
7:	10.3	↓
8:	10.5	↑
9:	10.3	↗
10:	10.6x	↑
Serie		100.0
Total		100.0



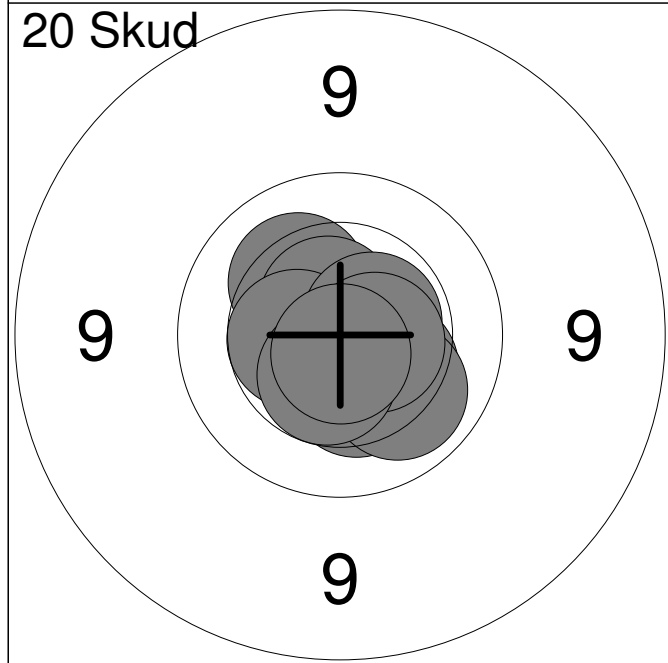
11:	10.6x	←
12:	10.4	↗
13:	10.8x	↑
14:	10.2	←
15:	10.7x	↗
16:	10.8x	↓
17:	10.3	→
18:	10.6x	↑
19:	10.9x	↙
20:	10.6x	→
Serie		100.0
Total		200.0



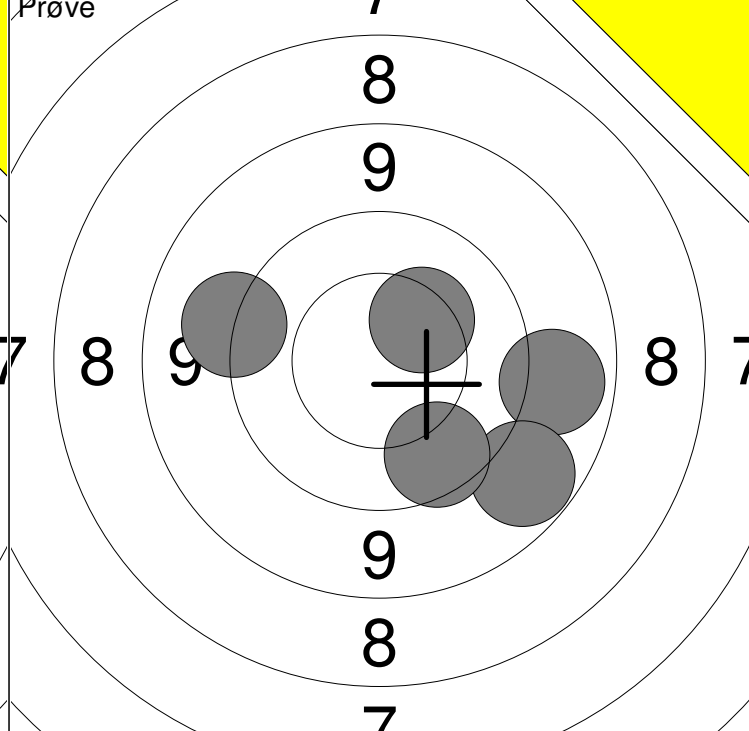
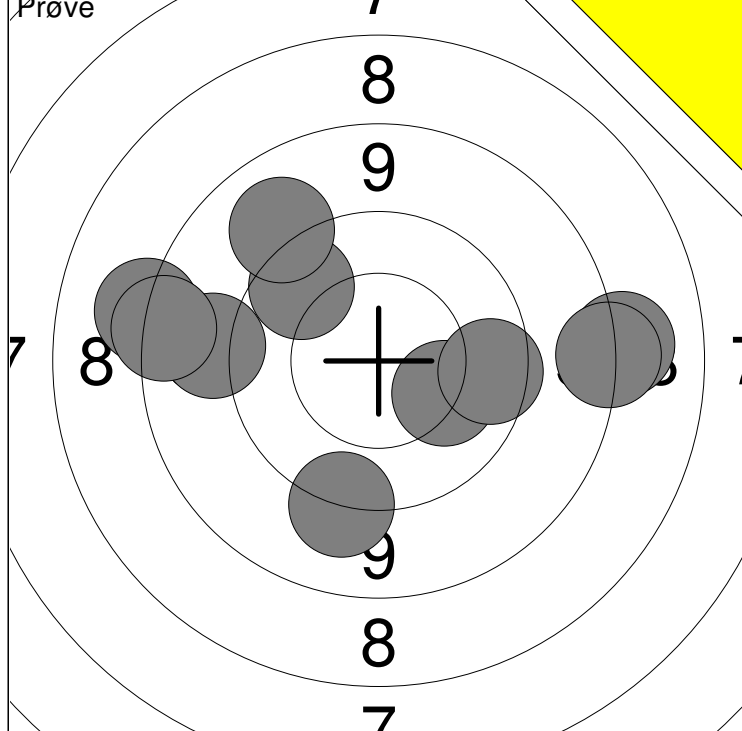
1:	9.8	↗
2:	10.6x	↓
3:	10.7x	↙
4:	10.6x	↗
5:	10.6x	↘
6:	10.9x	↘
<b>Serie</b>		<b>59.0</b>
<b>Total</b>		<b>0.0</b>



1:	10.6x	↘
2:	10.6x	↘
3:	10.0	←
4:	9.9	←
5:	10.5x	↙
6:	10.2	↗
7:	10.6x	↘
8:	10.6x	↘
9:	10.3	↘
10:	10.6x	↙
<b>Serie</b>		<b>99.0</b>
<b>Total</b>		<b>99.0</b>

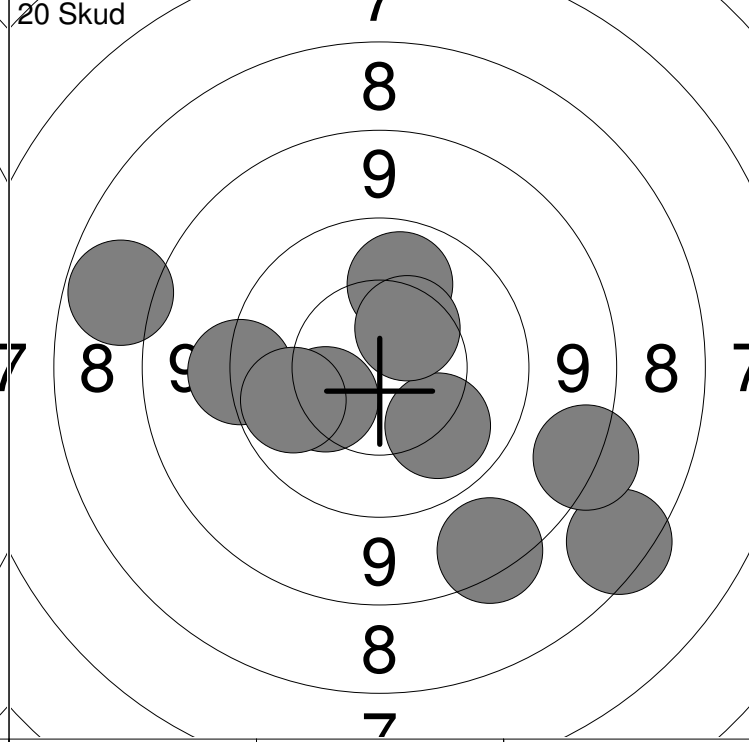
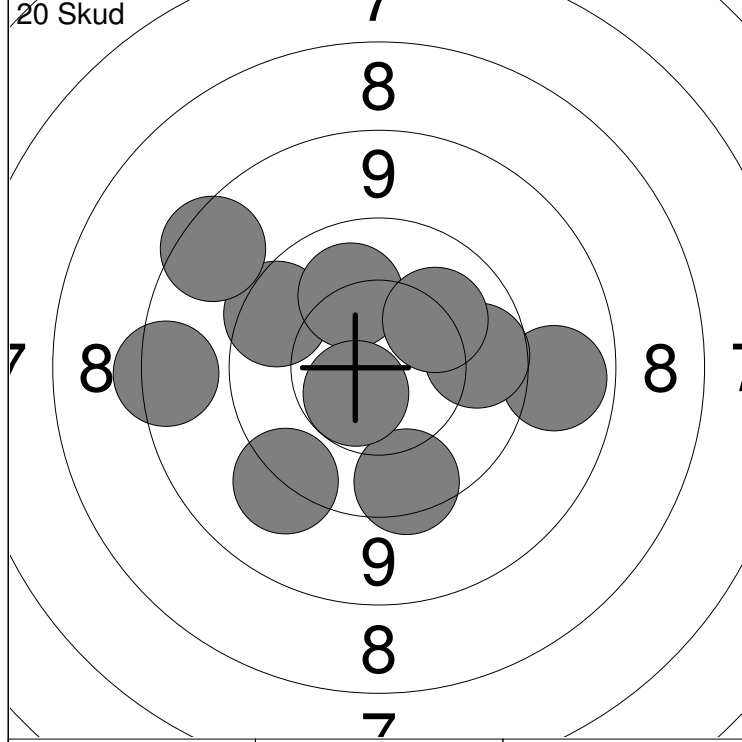


11:	10.2	↗
12:	10.6x	↗
13:	10.3	↘
14:	10.5	←
15:	10.4	↘
16:	10.6x	↗
17:	10.1	↘
18:	10.6x	→
19:	10.5x	↘
20:	10.7x	↘
<b>Serie</b>		<b>100.0</b>
<b>Total</b>		<b>199.0</b>



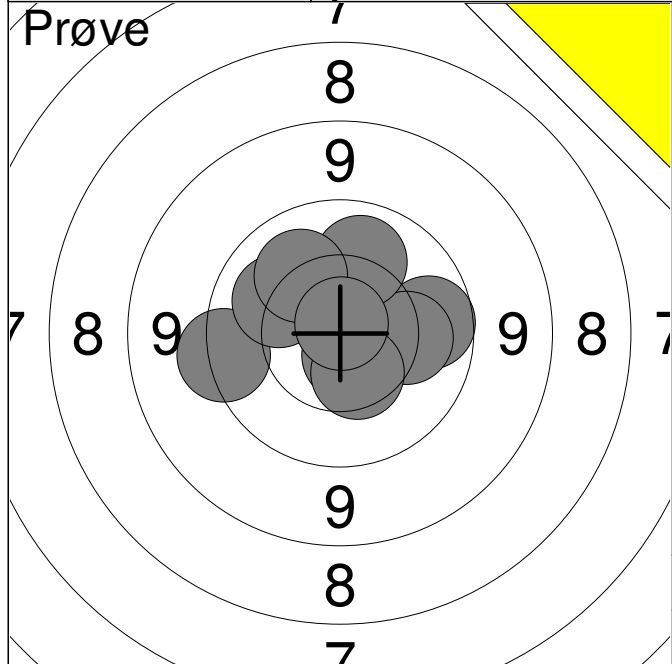
1: 10.2 ↘	6: 9.8 ↗	Serie	87
2: 9.8 →	7: 9.2 ↗		
3: 8.3 →	8: 8.6 ←	Total	0
4: 9.2 ←	9: 9.4 ↓		
5: 8.4 ←	10: 8.4 →		

11: 9.1 →	Serie	46
12: 9.3 ←		
13: 9.0 ↓	Total	0
14: 10.3 ↗		
15: 9.8 ↓		



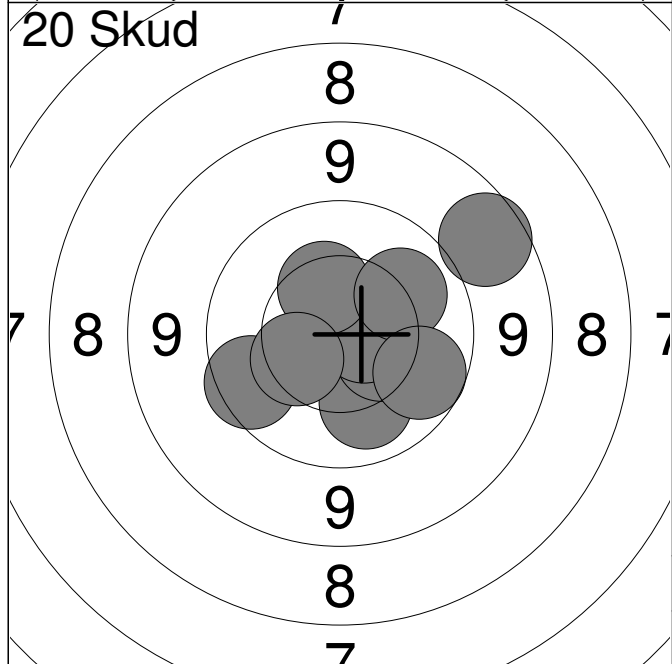
1: 9.7 ↓	6: 10.6x ↙	Serie	91
2: 9.7 ↗	7: 9.1 →		
3: 8.6 ←	8: 9.9 →	Total	91
4: 10.2 ↗	9: 8.7 ↗		
5: 9.4 ↙	10: 10.2 ↗		

11: 8.0 ←	Serie	90
12: 10.1 ↗		
13: 7.7 ↓	Total	181
14: 8.5 ↘		
15: 10.1 ↓		



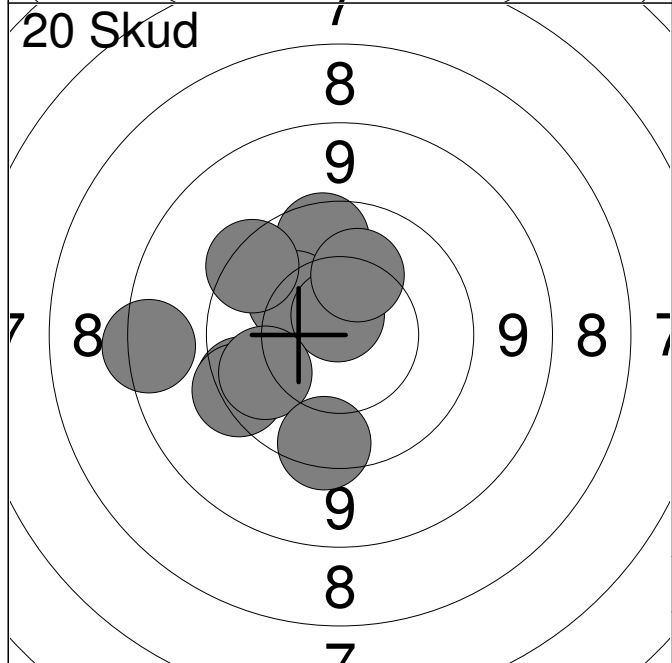
1:	9.5	←
2:	10.1	↗
3:	10.7x	↓
4:	9.9	→
5:	10.2	→
6:	10.1	↗
7:	10.1	↗
8:	10.4	↓
9:	10.8x	↑

Serie	88.0
Total	0.0



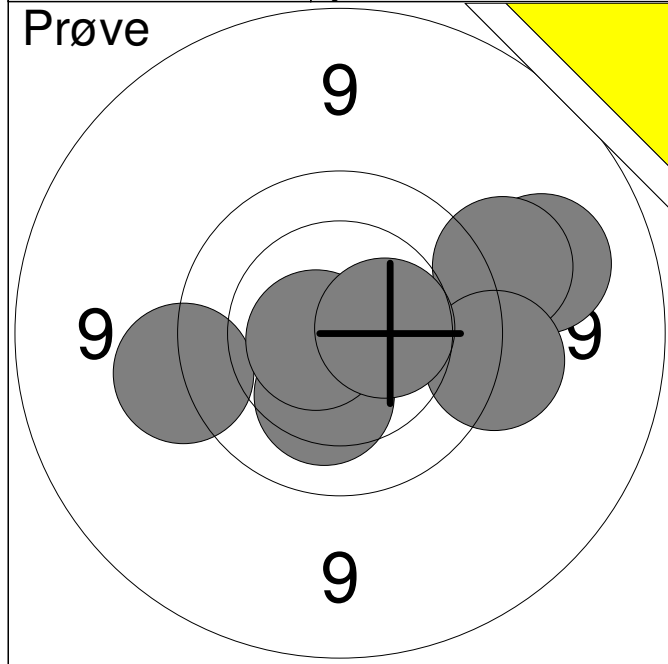
1:	9.8	↙
2:	10.1	↘
3:	10.1	↓
4:	8.8	↗
5:	10.4	↘
6:	10.7x	→
7:	10.4	↗
8:	10.1	↗
9:	9.9	↘
10:	10.4	↙

Serie	96.0
Total	96.0

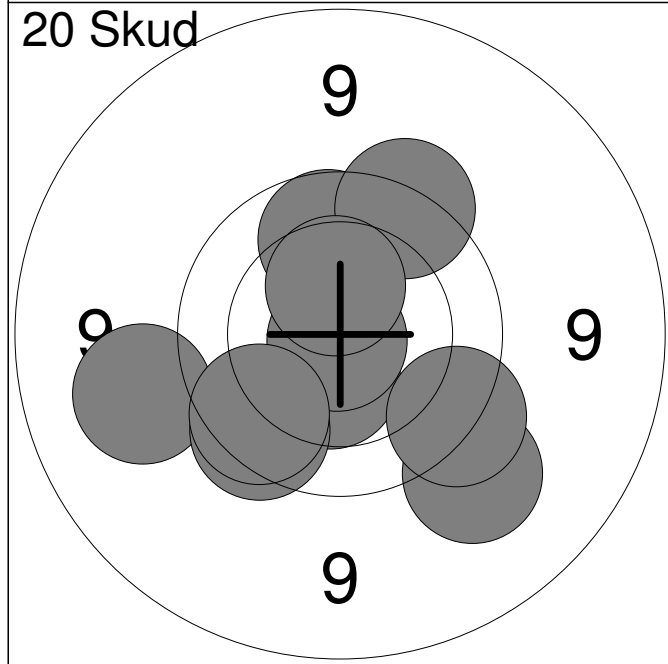


11:	9.8	↑
12:	10.3	↗
13:	9.6	↗
14:	10.7x	↑
15:	9.7	↙
16:	9.6	↙
17:	10.2	↗
18:	10.0	↙
19:	8.6	←
20:	9.7	↓

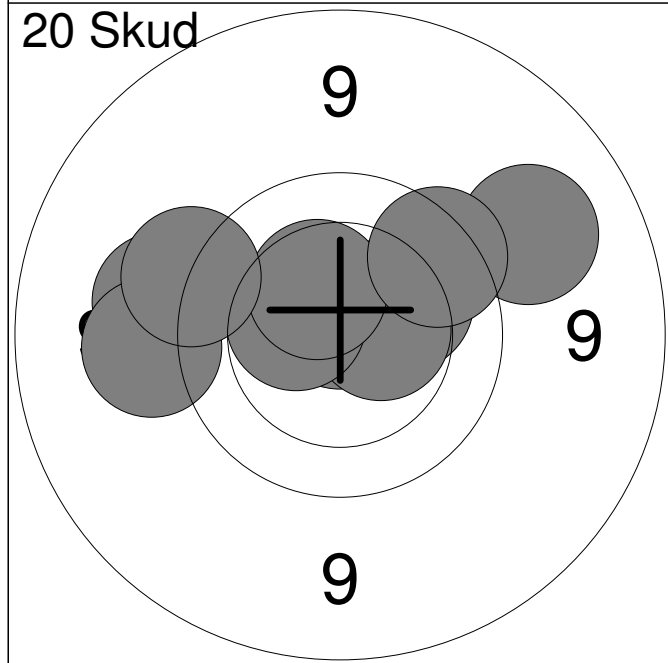
Serie	93.0
Total	189.0



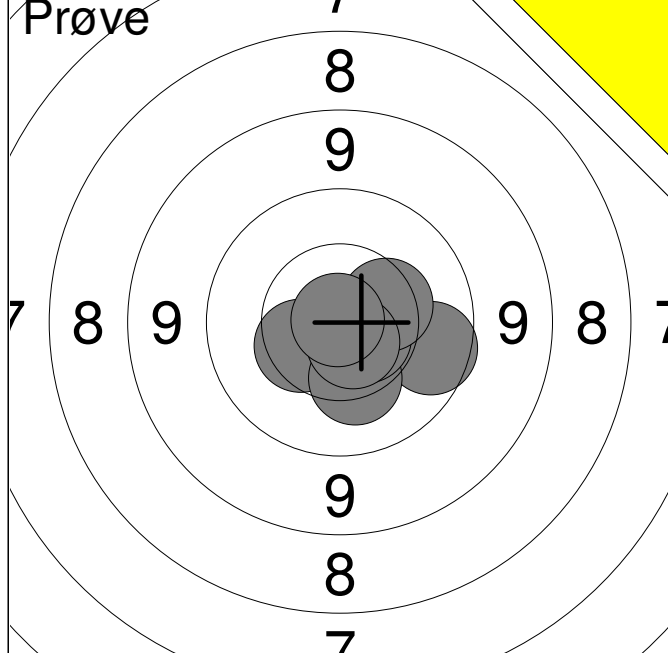
1:	9.5	←
2:	10.3	↓
3:	10.7x	←
4:	9.2	→
5:	9.4	→
6:	9.6	→
7:	10.5	→
<b>Serie</b>		<b>66.0</b>
<b>Total</b>		<b>0.0</b>



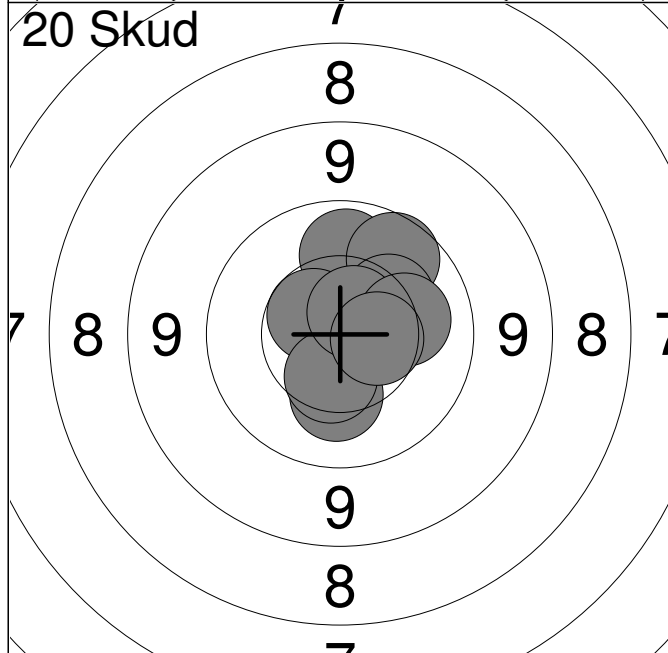
1:	9.9	↑
2:	10.5	↓
3:	9.3	←
4:	9.3	↓
5:	9.6	↑
6:	9.7	↓
7:	9.6	↓
8:	10.9x	↓
9:	10.4	↑
10:	9.8	↙
<b>Serie</b>		<b>93.0</b>
<b>Total</b>		<b>93.0</b>



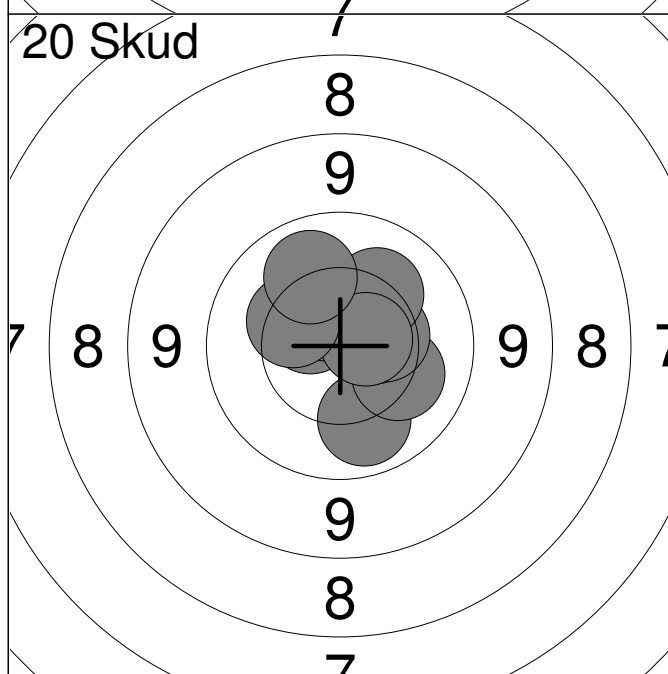
11:	9.4	←
12:	9.2	→
13:	10.8x	↑
14:	10.2	→
15:	10.5x	→
16:	10.5	←
17:	10.4	↑
18:	9.8	↗
19:	9.4	←
20:	9.5	↙
<b>Serie</b>		<b>95.0</b>
<b>Total</b>		<b>188.0</b>



1:	9.8	→
2:	10.4	↙
3:	10.3	↓
4:	10.6x	↘
5:	10.4	→
6:	10.7x	↙
7:	10.9x	↗
<b>Serie</b>		<b>69.0</b>
<b>Total</b>		<b>0.0</b>

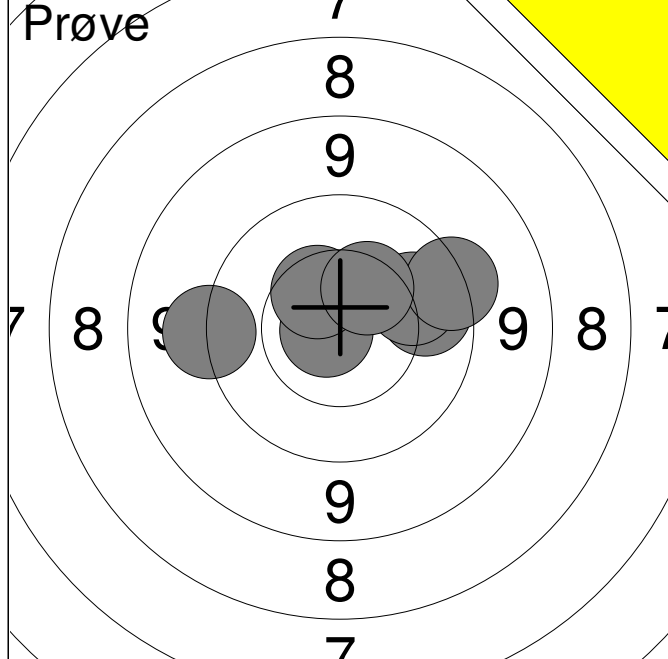


1:	10.0	↑
2:	10.8x	↑
3:	10.6	↖
4:	9.9	↗
5:	10.2	↓
6:	10.4	↓
7:	10.3	↗
8:	10.6x	↗
9:	10.2	→
10:	10.5	→
<b>Serie</b>		<b>99.0</b>
<b>Total</b>		<b>99.0</b>

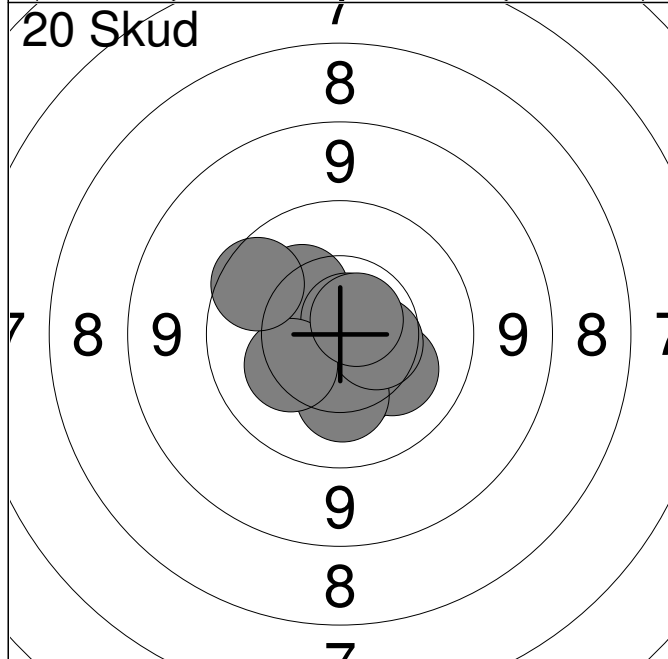


11:	10.5	↖
12:	10.1	↓
13:	10.2	↘
14:	10.6	→
15:	10.6	↗
16:	10.4	→
17:	10.2	↗
18:	10.6x	→
19:	10.3	↖
20:	10.1	↖
<b>Serie</b>		<b>100.0</b>
<b>Total</b>		<b>199.0</b>

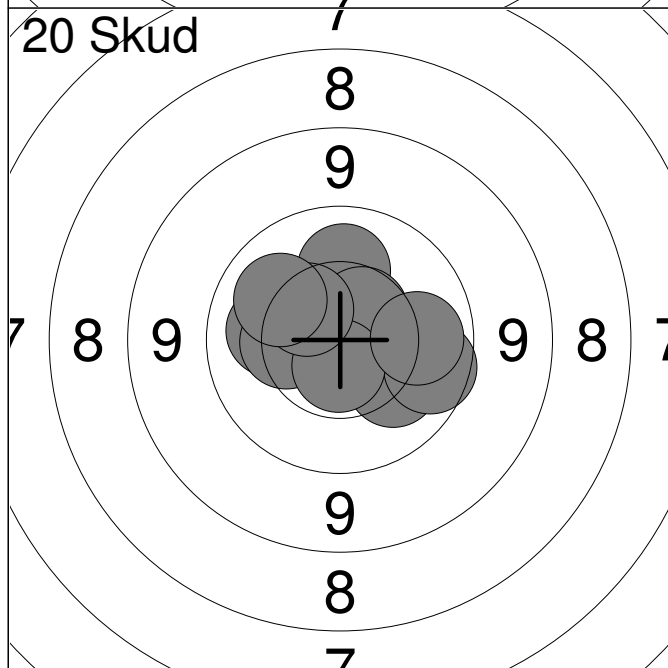




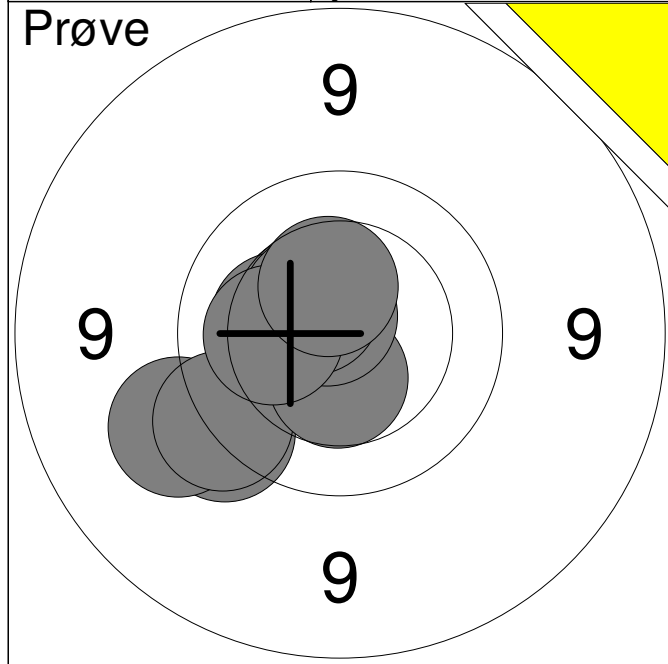
1:	9.9	→
2:	10.0	→
3:	9.5	→
4:	10.8x	←
5:	10.5	↑
6:	9.4	←
7:	10.4	↗
<b>Serie</b>		<b>67.0</b>
<b>Total</b>		<b>0.0</b>



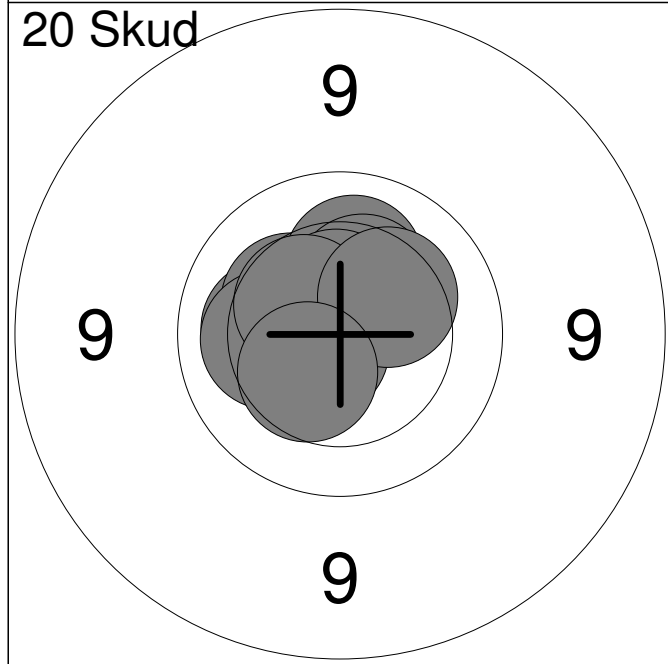
1:	10.3	↗
2:	10.4	↓
3:	10.8x	↗
4:	10.5	↓
5:	10.2	↘
6:	10.2	↓
7:	10.5	→
8:	10.3	←
9:	10.7x	↗
10:	9.8	↖
<b>Serie</b>		<b>99.0</b>
<b>Total</b>		<b>99.0</b>



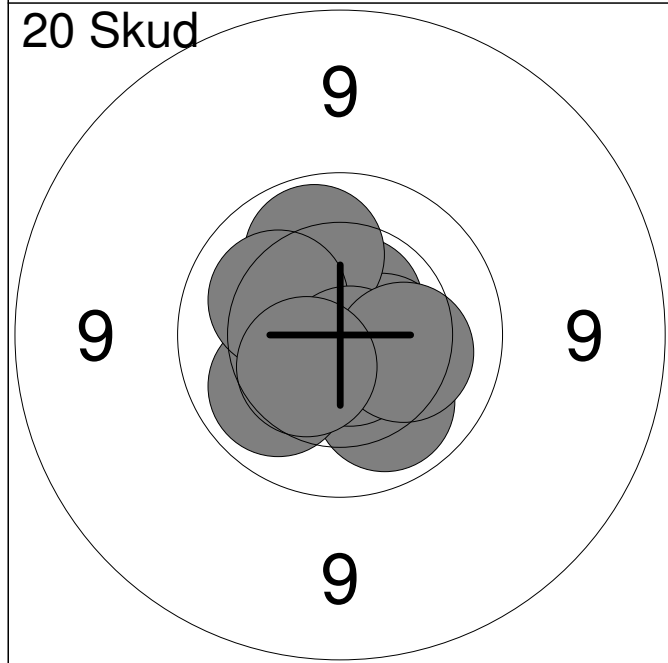
11:	10.1	↑
12:	10.2	←
13:	10.3	←
14:	10.2	↘
15:	10.6	↗
16:	9.9	→
17:	10.7x	↓
18:	10.4	↗
19:	10.1	→
20:	10.1	↗
<b>Serie</b>		<b>99.0</b>
<b>Total</b>		<b>198.0</b>



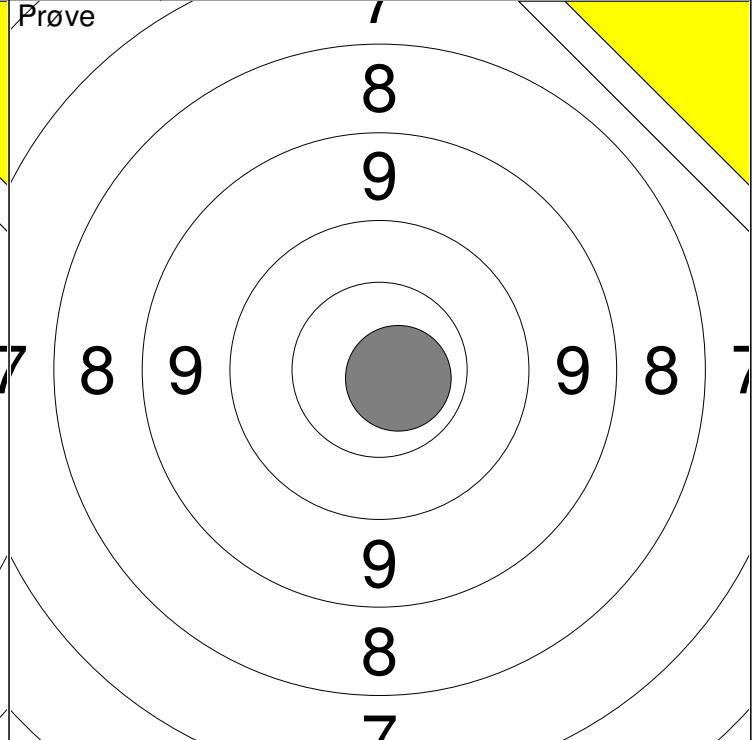
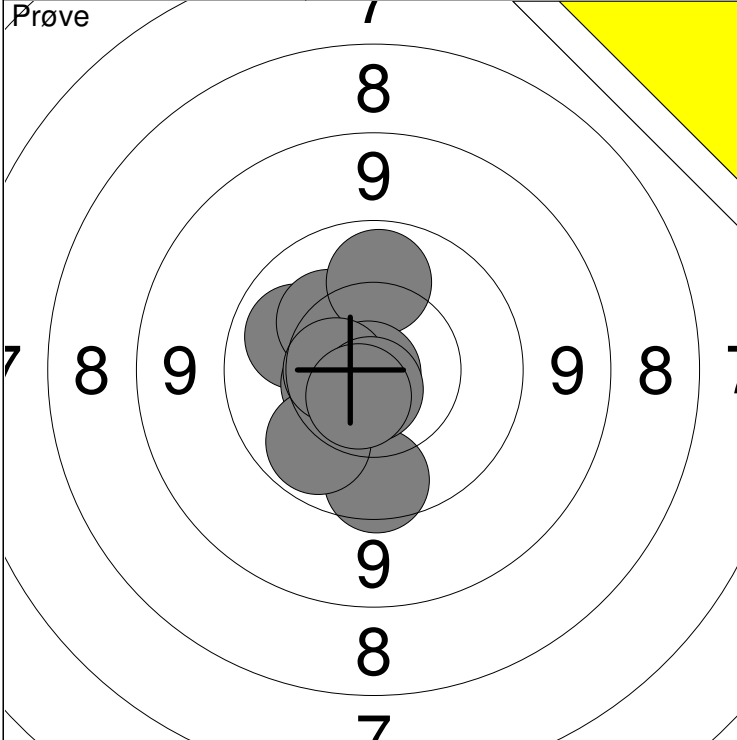
1:	9.6	↙
2:	9.4	↙
3:	9.6	↙
4:	10.5	↗
5:	10.3	←
6:	10.5	↓
7:	10.7x	↗
8:	10.5x	↗
9:	10.2	←
10:	10.4	↗
<b>Serie</b>		<b>97.0</b>
<b>Total</b>		<b>0.0</b>



1:	10.2	←
2:	10.3	↗
3:	10.7x	↙
4:	10.2	←
5:	10.2	↑
6:	10.4	↗
7:	10.6x	↑
8:	10.4	↖
9:	10.3	↗
10:	10.4	↙
<b>Serie</b>		<b>100.0</b>
<b>Total</b>		<b>100.0</b>

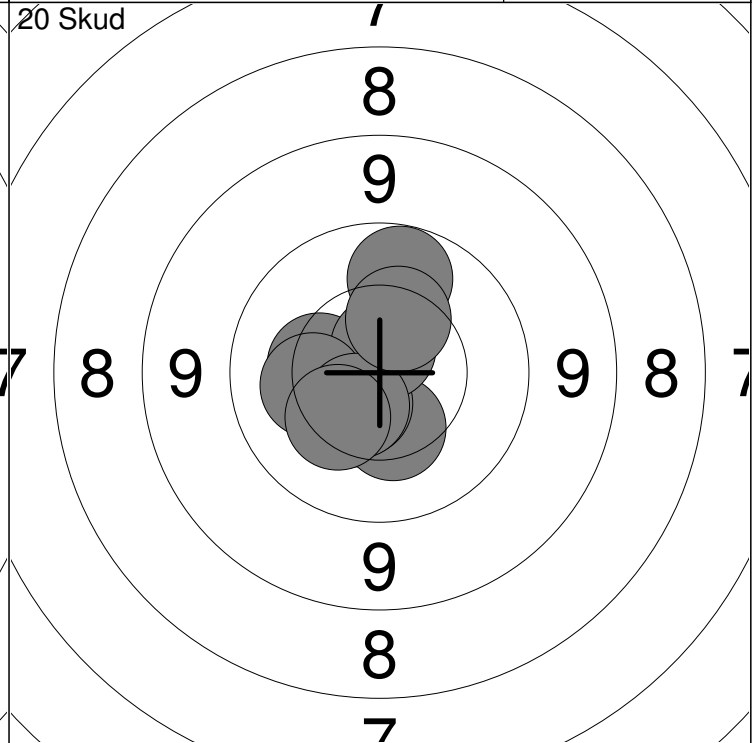
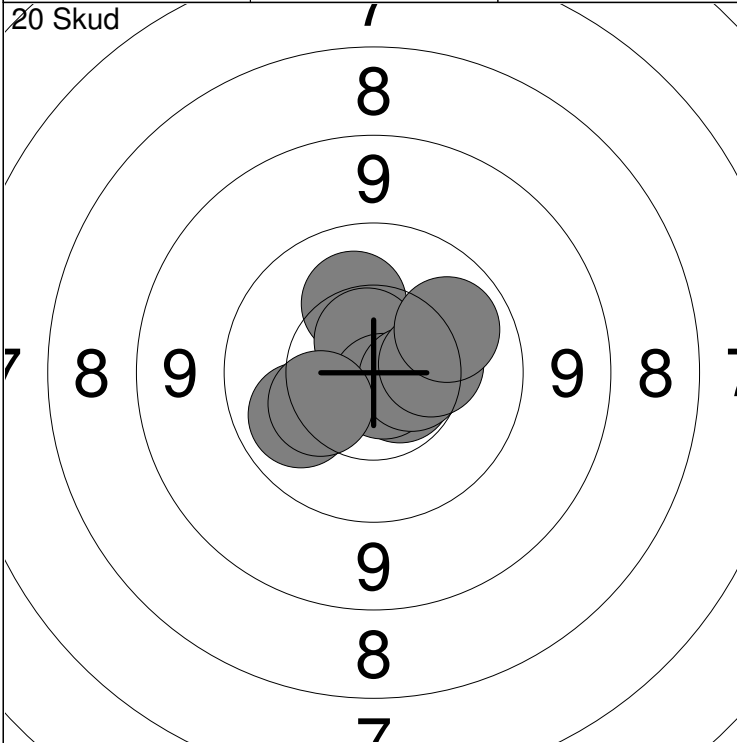


11:	10.6x	↑
12:	10.1	↓
13:	10.6x	↗
14:	10.5x	→
15:	10.0	↑
16:	10.1	↙
17:	10.2	↗
18:	10.7x	↓
19:	10.2	→
20:	10.4	↙
<b>Serie</b>		<b>100.0</b>
<b>Total</b>		<b>200.0</b>



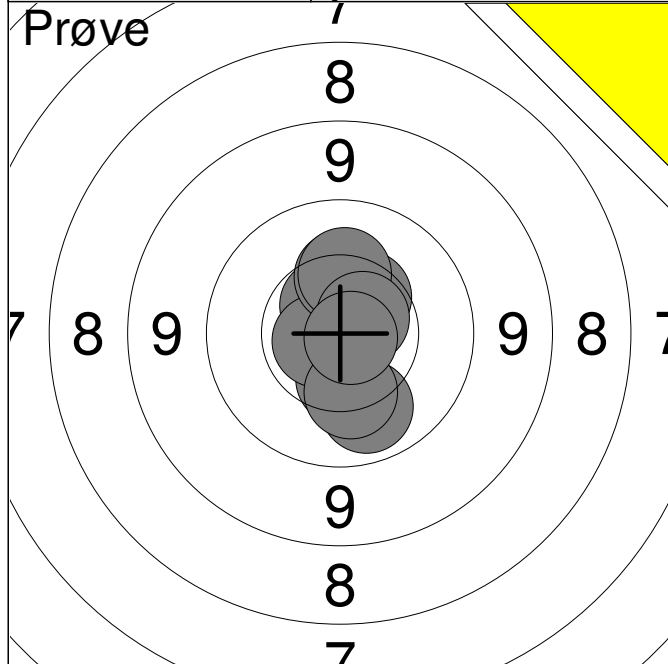
1: 10.1 ↙	6: 10.0 ↑	Serie	99
2: 9.8 ↓	7: 10.9x ↙		
3: 10.5 ↙	8: 10.6 ←	Total	0
4: 10.0 ↙	9: 10.7x ↓		
5: 10.3 ↖	10: 10.6x ↙		

11: 10.7x ➔	Serie	10
	Total	0

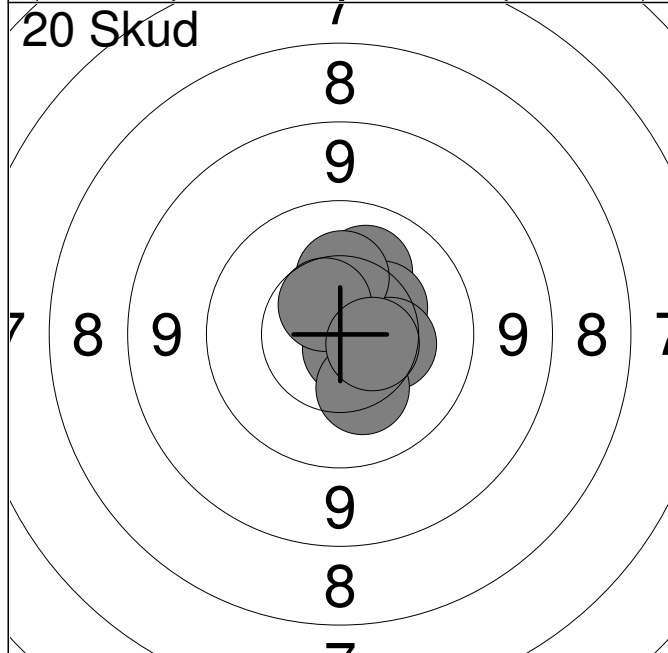


1: 10.8x ↙	6: 10.6 ➔	Serie	100
2: 10.2 ↑	7: 10.4 ➔		
3: 10.6x ↑	8: 10.1 ➔	Total	100
4: 10.6x ↙	9: 10.1 ←		
5: 10.8x ↙	10: 10.3 ↙		

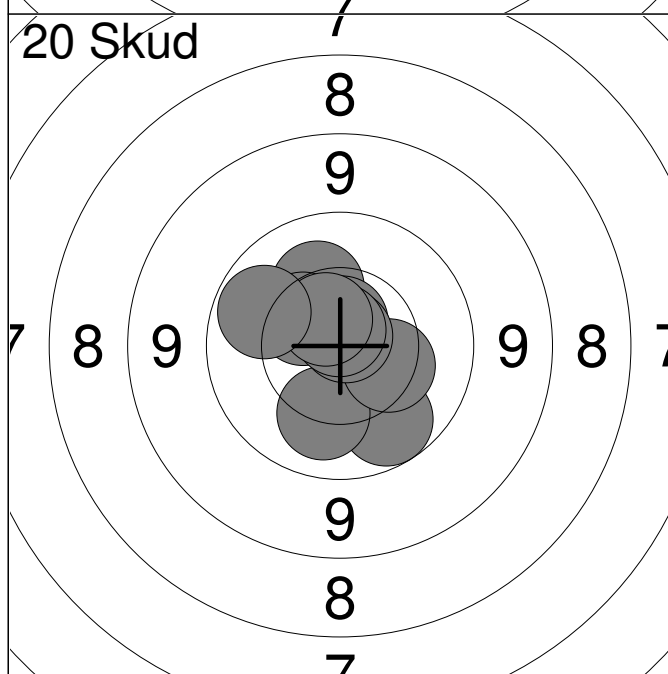
11: 10.5 ↙	16: 10.0 ↑	Serie	100
12: 10.4 ↓	17: 10.2 ←		
13: 10.6 ↙	18: 10.5 ↙	Total	200
14: 10.3 ←	19: 10.3 ↙		
15: 10.7x ↑	20: 10.4 ↑		



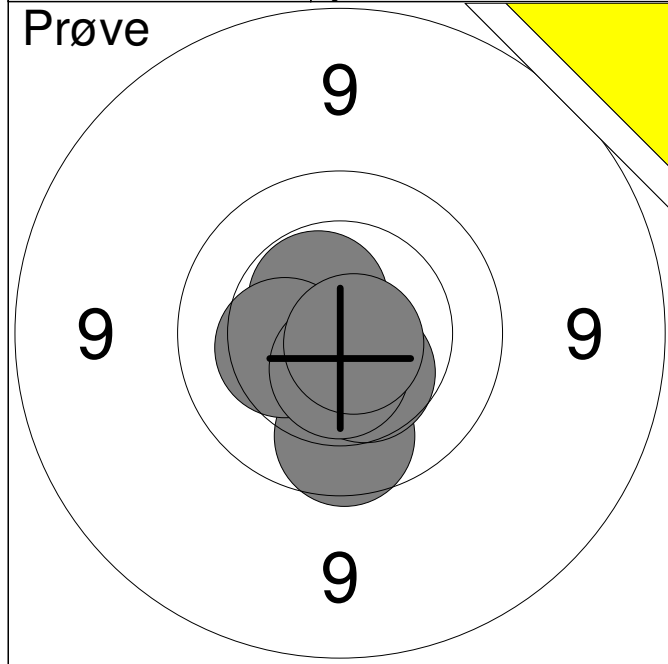
1:	10.4	↓
2:	10.4	↗
3:	10.6x	↗
4:	10.7x	←
5:	10.3	↑
6:	10.0	↓
7:	10.3	↓
8:	10.3	↑
9:	10.6x	↗
10:	10.8x	↘
<b>Serie</b>		<b>100.0</b>
<b>Total</b>		<b>0.0</b>



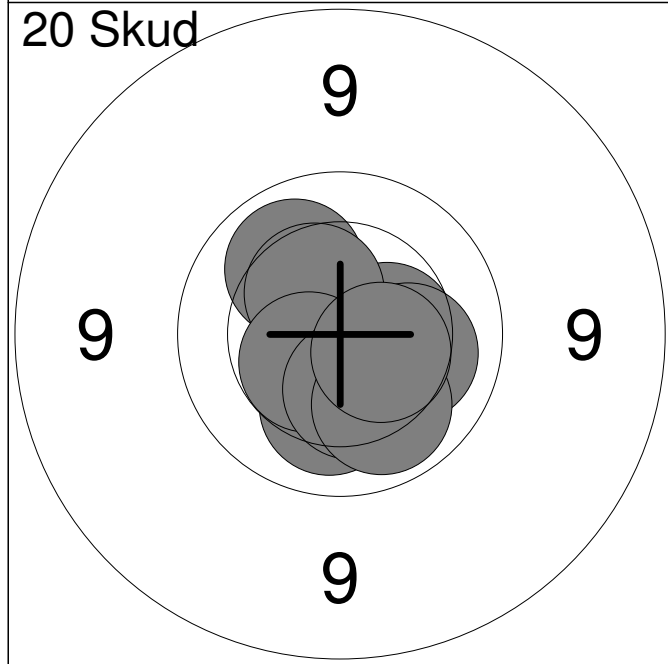
1:	10.8x	↘
2:	10.7x	↘
3:	10.2	↗
4:	10.8x	↘
5:	10.4	↗
6:	10.4	→
7:	10.3	↑
8:	10.6	↗
9:	10.3	↓
10:	10.6	→
<b>Serie</b>		<b>100.0</b>
<b>Total</b>		<b>100.0</b>



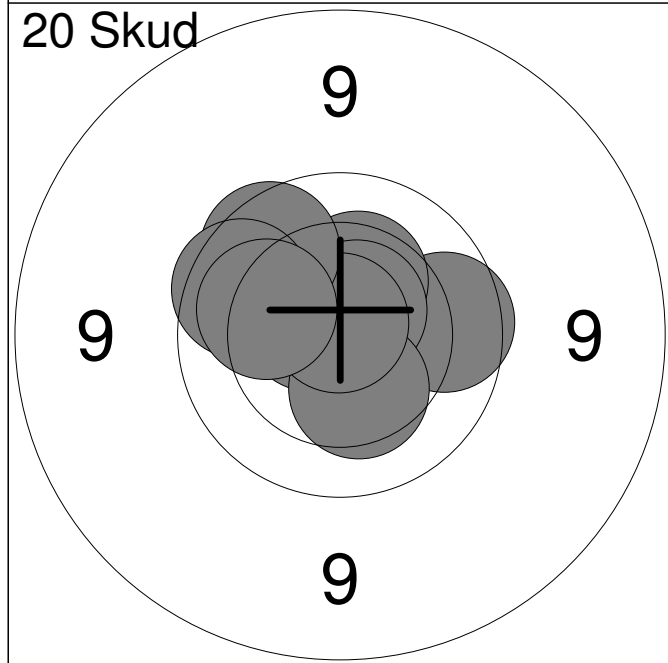
11:	10.0	↘
12:	10.2	↗
13:	10.1	↘
14:	10.4	↗
15:	10.3	↘
16:	10.7x	↑
17:	10.8x	↗
18:	10.8x	↑
19:	10.6x	↗
20:	10.0	←
<b>Serie</b>		<b>100.0</b>
<b>Total</b>		<b>200.0</b>



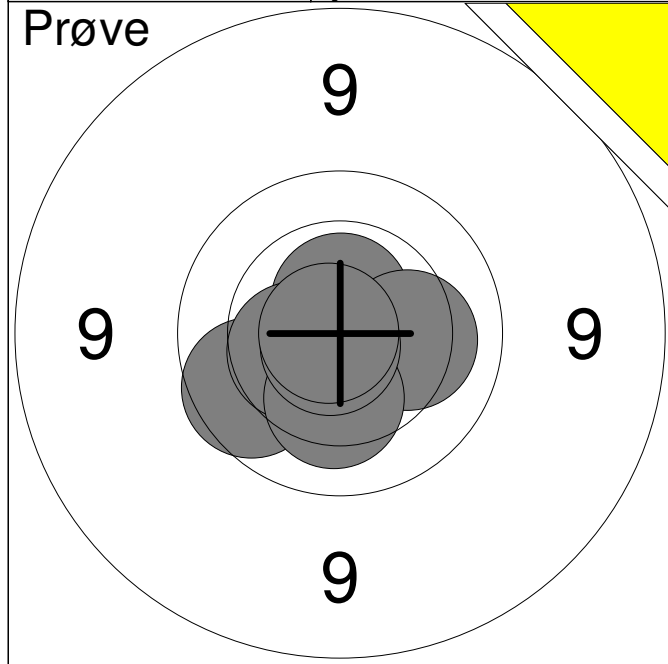
1:	9.9	↓
2:	10.7x	↙
3:	10.5x	↗
4:	10.4	↓
5:	10.3	↙
6:	10.6x	↓
7:	10.8x	↘
<b>Serie</b>		<b>69.0</b>
<b>Total</b>		<b>0.0</b>



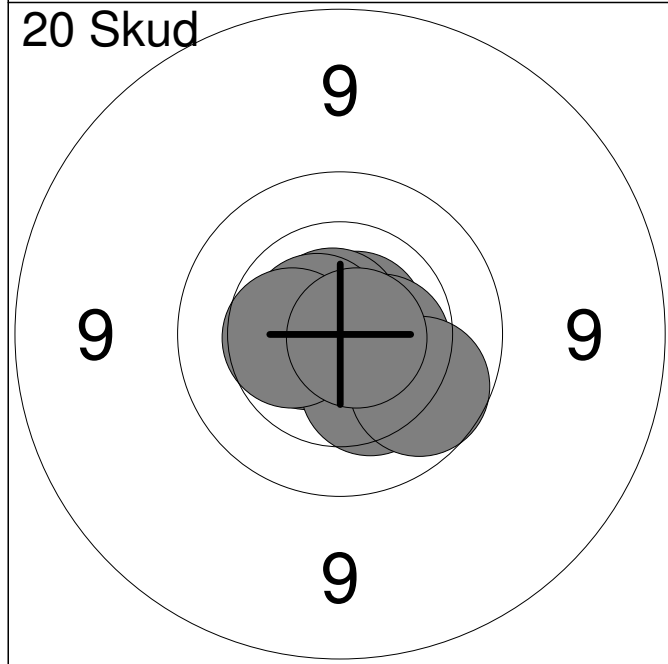
1:	10.7x	↗
2:	10.2	↓
3:	10.1	↗
4:	10.4	→
5:	10.4	↗
6:	10.5x	↙
7:	10.2	→
8:	10.3	↓
9:	10.1	↓
10:	10.5	↘
<b>Serie</b>		<b>100.0</b>
<b>Total</b>		<b>100.0</b>



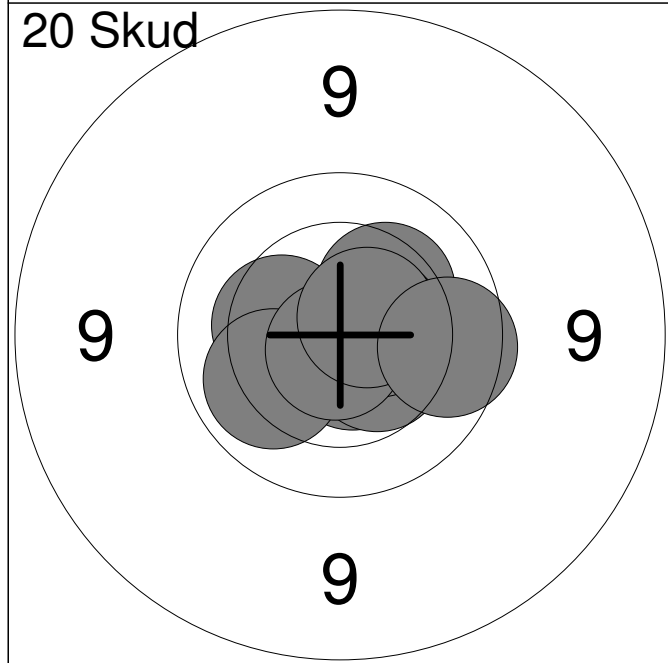
11:	9.9	→
12:	10.6x	↗
13:	10.4	↗
14:	10.3	↗
15:	10.6x	↗
16:	10.3	↓
17:	10.8x	↗
18:	9.8	↗
19:	9.9	↗
20:	10.1	↙
<b>Serie</b>		<b>97.0</b>
<b>Total</b>		<b>197.0</b>



1:	10.8x	↘
2:	10.8x	↓
3:	9.9	↙
4:	10.9x	↗
5:	10.6x	↑
6:	10.2	→
7:	10.4	↖
8:	10.2	↓
9:	10.8x	↘
10:	10.8x	←
<b>Serie</b>		<b>99.0</b>
<b>Total</b>		<b>0.0</b>



1:	10.7x	↗
2:	10.8x	↑
3:	10.6x	↖
4:	10.4	↘
5:	10.5x	→
6:	10.7x	↗
7:	10.3	↘
8:	9.9	↘
9:	10.4	←
10:	10.8x	→
<b>Serie</b>		<b>99.0</b>
<b>Total</b>		<b>99.0</b>



11:	10.7x	↘
12:	10.4	←
13:	10.3	↗
14:	10.3	↖
15:	10.1	↖
16:	10.5	↘
17:	10.5x	→
18:	10.8x	↘
19:	10.6x	↗
20:	9.9	→
<b>Serie</b>		<b>99.0</b>
<b>Total</b>		<b>198.0</b>