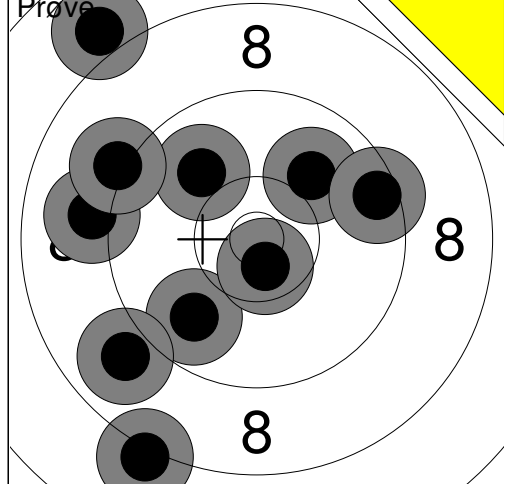
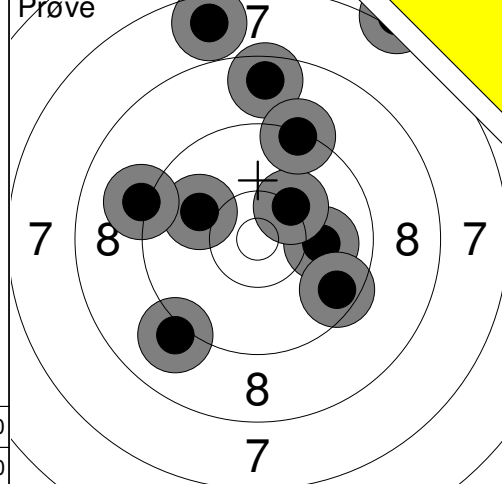


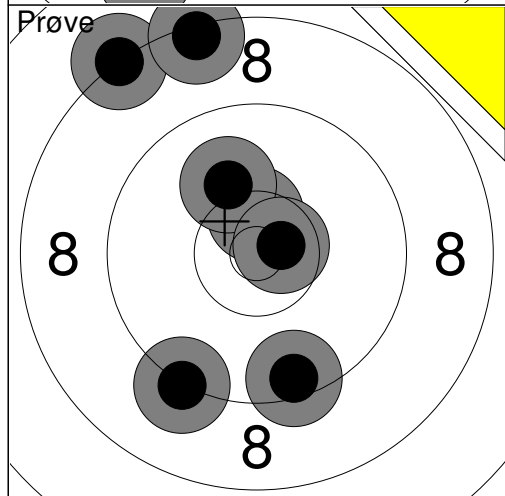
	10 meter luftstævne 2015	Aalborg Skyttekreds
--	--------------------------	---------------------



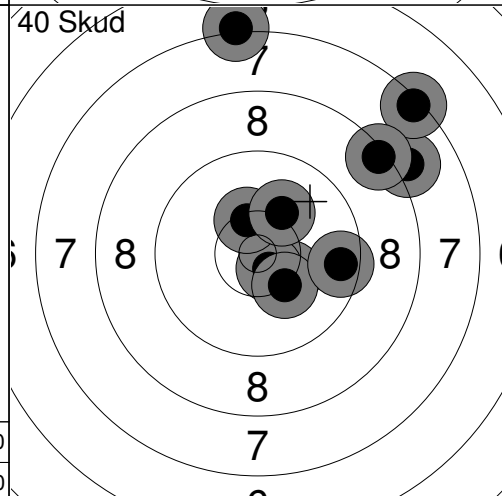
1:	10.0	↗
2:	10.0	↗
3:	9.8	↘
4:	8.9	↘
5:	9.0	←
6:	10.6x	↘
7:	8.1	↘
8:	7.9	↗
9:	9.5	→
10:	9.1	↖
Serie		89.0
Total		0.0



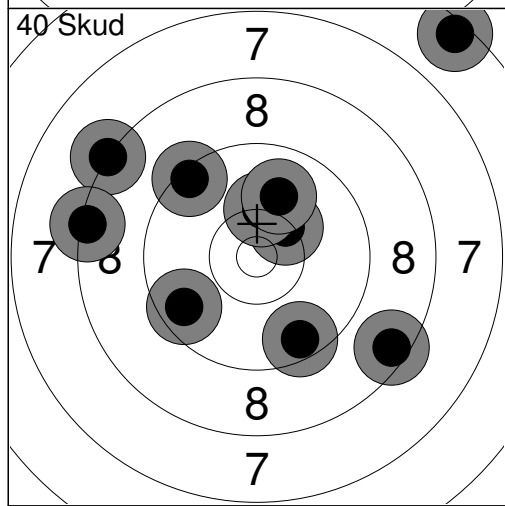
11:	10.0	→
12:	8.6	↑
13:	9.1	↘
14:	10.0	↖
15:	9.1	↖
16:	10.3	↗
17:	7.0	↗
18:	9.3	↗
19:	9.6	↘
20:	7.7	↑
Serie		88.0
Total		0.0



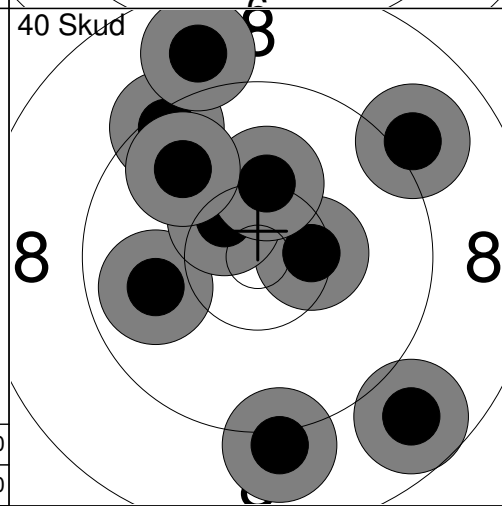
21:	10.5x	↑
22:	8.2	↗
23:	8.4	↗
24:	9.2	↘
25:	10.1	↗
26:	9.5	↘
27:	10.7x	→
Serie		64.0
Total		0.0



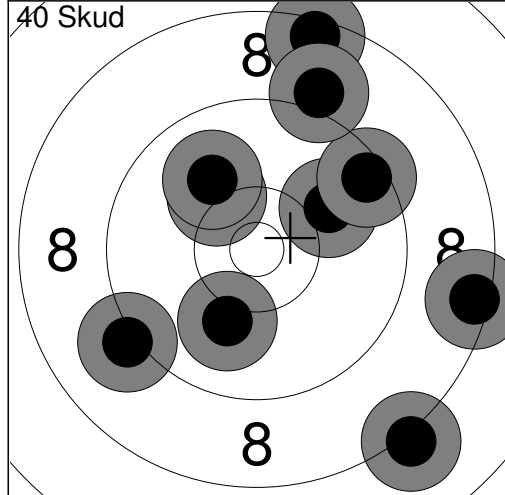
1:	10.3	↘
2:	10.6x	↘
3:	10.3	↘
4:	8.0	↗
5:	7.2	↑
6:	7.4	↗
7:	9.5	→
8:	10.4x	↑
9:	8.4	↗
10:	10.2	↗
Serie		89.0
Total		89.0



11:	10.3	↗
12:	6.4	↗
13:	9.4	↗
14:	9.5	↘
15:	10.2	↑
16:	10.0	↑
17:	8.2	↗
18:	8.5	↘
19:	8.3	←
20:	9.6	↘
Serie		87.0
Total		176.0



21:	9.9	←
22:	10.4x	→
23:	9.1	↘
24:	9.1	↗
25:	9.4	↗
26:	10.4x	↗
27:	8.8	↘
28:	8.9	↑
29:	10.2	↑
30:	9.8	↗
Serie		91.0
Total		267.0



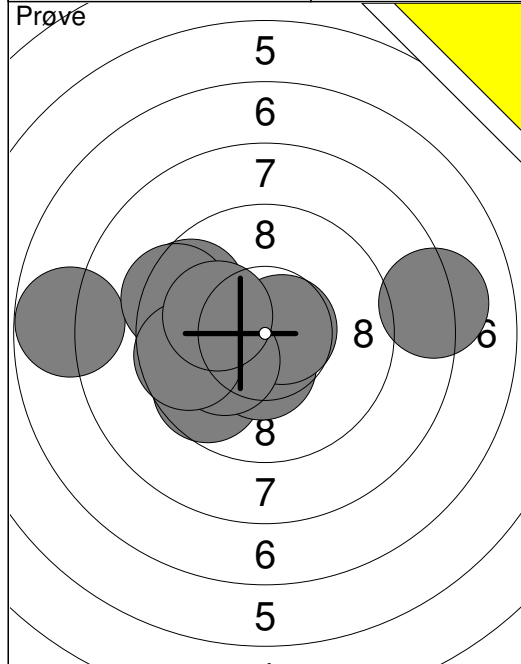
31:	9.1	↖
32:	8.4	↑
33:	10.2	↗
34:	10.0	↗
35:	8.1	↘
36:	9.5	↗
37:	8.4	→
38:	9.0	↗
39:	10.0	↗
40:	10.1	↘
Serie		91.0
Total		358.0

Prøve	Prøve		
		2: 9.5 ↙ 3: 9.7 → 4: 10.1 ↗ 5: 9.8 ↗ 6: 10.2x ← 7: 10.8x ↗ 8: 10.3x ↑ 9: 9.8 ↑ 10: 10.1 ↙	11: 10.1 → 12: 9.1 ↗ 13: 9.5 ↗ 14: 9.6 ↑ 15: 10.8x ↑ 16: 10.4x →
Serie	90.3	Serie	59.5
Total	0.0	Total	0.0
60 Skud	60 Skud		
		1: 9.3 ↗ 2: 10.3x ↓ 3: 10.1 ← 4: 10.7x ↑ 5: 10.2x ↗ 6: 9.4 ↙ 7: 10.4x → 8: 10.6x ↓ 9: 10.7x ← 10: 10.6x ←	11: 10.6x ↓ 12: 10.1 ↓ 13: 10.7x ↓ 14: 10.5x ↗ 15: 10.2x → 16: 9.9 ↗ 17: 9.1 ↗ 18: 9.8 ↗ 19: 10.7x ↑ 20: 9.6 ↗
Serie	102.3	Serie	101.2
Total	102.3	Total	203.5
60 Skud	60 Skud		
		21: 9.7 ↑ 22: 9.8 → 23: 10.2x → 24: 10.3x ↑ 25: 9.3 ↗ 26: 10.2x → 27: 10.0 ↓ 28: 9.6 ↗ 29: 10.5x → 30: 10.0 ↗	31: 10.8x ↙ 32: 9.8 ← 33: 9.5 ↓ 34: 10.3x → 35: 10.0 ← 36: 10.8x ↑ 37: 8.0 → 38: 9.6 ↙ 39: 10.4x ← 40: 10.4x ←
Serie	99.6	Serie	99.6
Total	303.1	Total	402.7
60 Skud	60 Skud		
		41: 10.2x ↗ 42: 9.5 ← 43: 10.3x ↗ 44: 10.7x ↗ 45: 8.8 → 46: 9.5 ↗ 47: 10.5x ↗ 48: 9.6 ↑ 49: 9.7 → 50: 10.3x ↓	51: 10.5x ↓ 52: 10.5x ↓ 53: 10.2x → 54: 10.1 ↗ 55: 10.2x ↓ 56: 10.2x ← 57: 10.2x ← 58: 10.2x ↗ 59: 10.8x → 60: 9.7 →
Serie	99.1	Serie	102.6
Total	501.8	Total	604.4

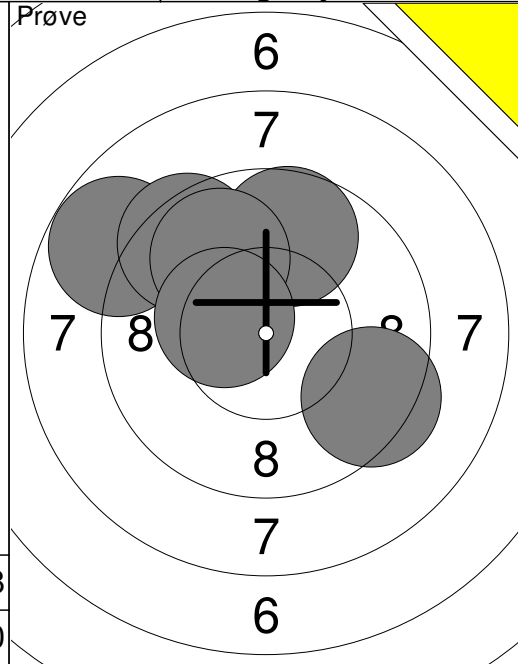
Prøve 	2: 9.7 ← 3: 8.6 ↓ 4: 10.6x↓ 5: 9.3 ← 6: 10.0 ↓ 7: 10.7x→ 8: 9.1 ← 9: 9.9 → 10: 10.0 → <hr/> Serie 87.9 Total 0.0	Prøve 	11: 10.2x↗ <hr/> Serie 10.2 Total 0.0
-----------	--	-----------	---

40 Skud 	1: 9.6 ↓ 2: 8.9 → 3: 9.4 ↓ 4: 9.0 ← 5: 10.1 → 6: 9.1 ← 7: 10.1 ↑ 8: 9.5 ← 9: 9.8 ← 10: 9.3 → <hr/> Serie 94.8 Total 94.8	40 Skud 	11: 10.0 ↙ 12: 10.2x↘ 13: 8.9 ↓ 14: 10.7x↗ 15: 9.8 → 16: 7.9 → 17: 9.3 ↓ 18: 8.5 ← 19: 9.3 ← 20: 10.0 → <hr/> Serie 94.6 Total 189.4
-------------	---	-------------	---

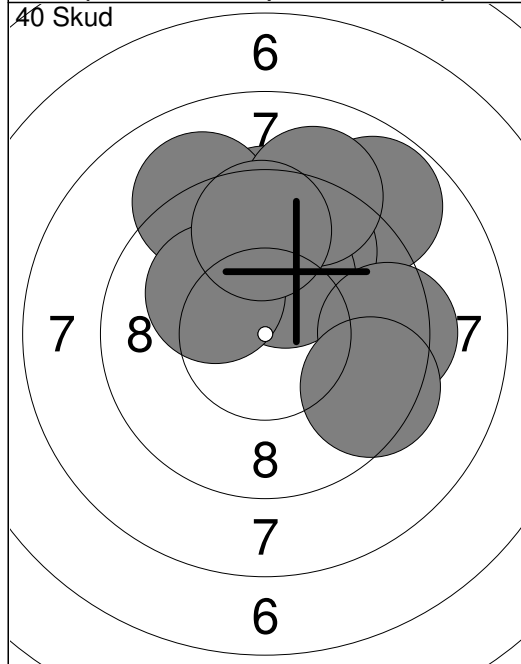
40 Skud 	21: 10.2x↗ 22: 10.1 ↗ 23: 9.8 ↓ 24: 10.3x↗ 25: 9.9 → 26: 9.1 → 27: 10.4x↖ 28: 8.8 ↓ 29: 9.0 ↓ 30: 9.4 ← <hr/> Serie 97.0 Total 286.4	40 Skud 	31: 8.6 ← 32: 10.3x↘ 33: 10.4x↘ 34: 9.8 ↓ 35: 9.3 ← 36: 9.3 ← 37: 9.4 ↓ 38: 8.0 ↓ 39: 9.7 ↓ 40: 10.4x↖ <hr/> Serie 95.2 Total 381.6
-------------	---	-------------	--



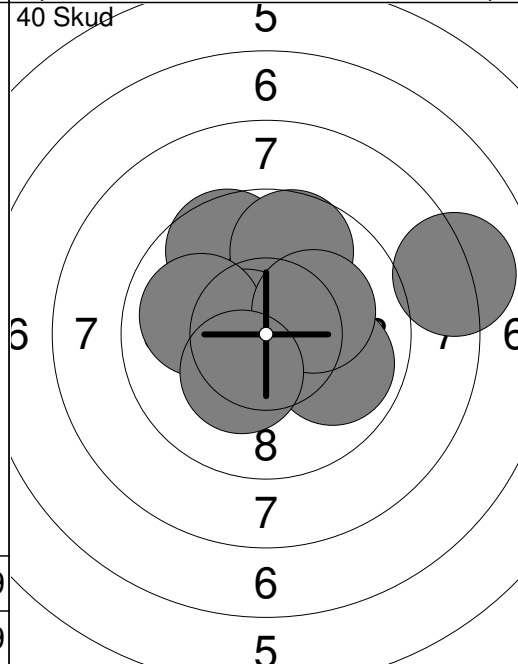
1:	9.7 ↙
2:	7.8 ←
3:	10.4x↓
4:	9.6 ↙
5:	8.2 →
6:	10.7x→
7:	10.2x↙
8:	9.4 ↙
9:	9.7 ←
10:	10.1↙
Serie 95.8	
Total 0.0	



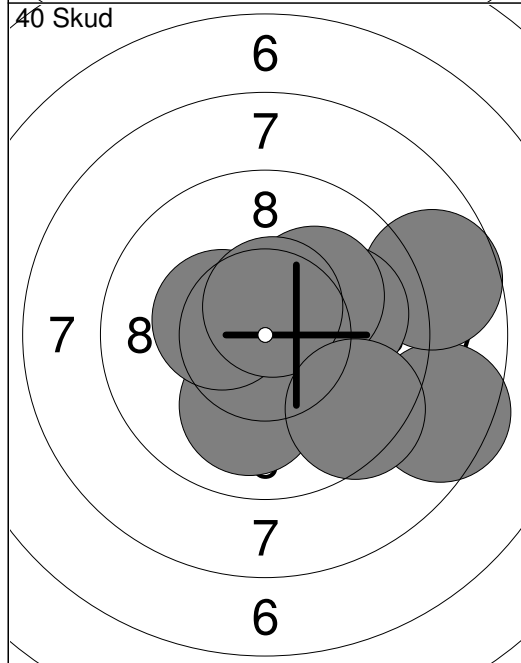
11:	9.7 ↑
12:	8.8 ↙
13:	9.4 ↗
14:	9.4 ↘
15:	9.8 ↗
16:	10.4x↘
Serie 57.5	
Total 0.0	



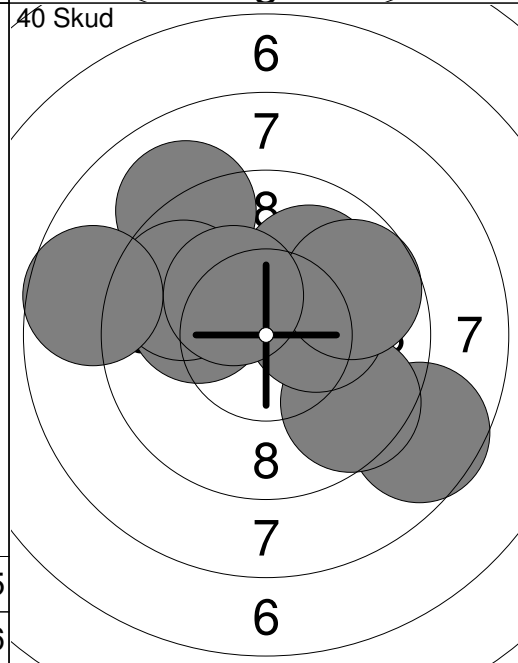
1:	9.4 ↑
2:	8.8 ↗
3:	9.8 ↗
4:	10.2x↑
5:	9.1 ↑
6:	9.4 →
7:	10.1↙
8:	9.1 ↑
9:	9.4 ↘
10:	9.6 ↑
Serie 94.9	
Total 94.9	



11:	10.6x↘
12:	9.9 ↘
13:	9.6 ↗
14:	10.1 ↗
15:	8.1 →
16:	9.7 ↑
17:	10.7x↘
18:	10.0↙
19:	10.2x→
20:	10.3x↙
Serie 99.2	
Total 194.1	

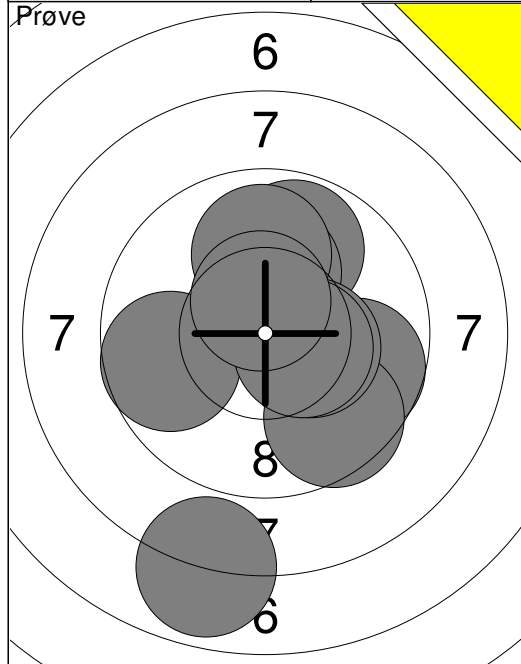


21:	10.1 ↘
22:	8.5 ↘
23:	10.5x↘
24:	10.0 ↓
25:	8.7 →
26:	10.0 →
27:	10.2x↗
28:	10.4x↙
29:	10.6x↑
30:	9.5 ↘
Serie 98.5	
Total 292.6	

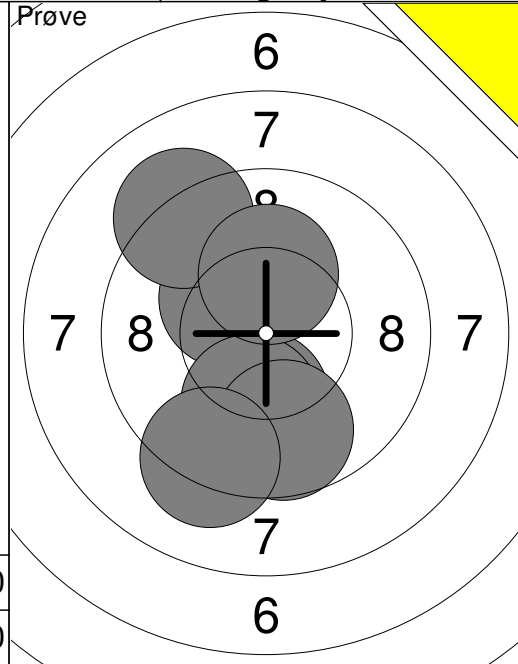


31:	10.0 ↗
32:	8.6 ↘
33:	10.1↙
34:	9.1 ↗
35:	9.6 ↘
36:	10.3x→
37:	9.8 ↙
38:	8.7 ↙
39:	9.7 ↗
40:	10.3x↙
Serie 96.2	
Total 388.8	

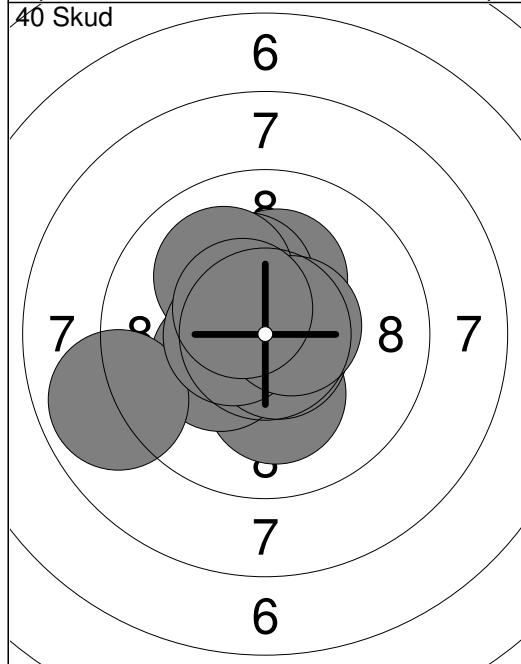
Hold	Skive	Henrik Strand		
64	6			
Vesterkæret		Viborg Skytteforening	H R	
		10 meter luftstævne 2015	Aalborg Skyttekreds	
Prøve		1: 7.0 ↘ 2: 8.9 ↗ 3: 8.6 ↗ 4: 8.3 → 5: 9.4 ↘ 6: 9.6 ↘ 7: 9.6 → 8: 9.8 → 9: 9.8 → 10: 9.5 ↗	Prøve	11: 8.5 ↗ 12: 9.7 ↗ 13: 10.4x ↗ 14: 9.7 ↗ 15: 10.5x ↗ 16: 10.3x ↖ 17: 10.2x ↗ 18: 9.4 ↗ 19: 9.2 ↗ 20: 8.8 ↗
		Serie 90.5 Total 0.0	Serie 96.7 Total 0.0	
Prøve		21: 9.3 ↗	60 Skud	1: 10.0 ↗ 2: 9.7 ↗ 3: 9.5 ↗ 4: 8.3 ↗ 5: 9.0 → 6: 10.4x ↗ 7: 10.0 ↗ 8: 8.2 ↖ 9: 9.5 ↘ 10: 10.7x ↗
		Serie 9.3 Total 0.0	Serie 95.3 Total 95.3	
60 Skud		11: 10.1 ↗ 12: 10.8x ↗ 13: 10.4x ↘ 14: 10.6x ↗ 15: 10.0 ↘ 16: 10.5x → 17: 9.3 → 18: 10.1 ↘ 19: 9.6 → 20: 9.8 ↘	60 Skud	21: 9.4 → 22: 10.8x ↗ 23: 10.3x ↖ 24: 8.3 → 25: 10.3x ↖ 26: 10.5x ↗ 27: 10.6x ↗ 28: 7.3 ↖ 29: 10.6x ↗ 30: 10.4x ↖
		Serie 101.2 Total 196.5	Serie 98.5 Total 295.0	
60 Skud		31: 10.0 ↖ 32: 9.5 ↖ 33: 9.8 → 34: 9.6 ↗ 35: 10.3x ↘ 36: 9.3 ↗ 37: 10.3x ↖ 38: 10.5x ↗ 39: 10.3x ↗ 40: 9.2 ↗	60 Skud	41: 10.0 ↗ 42: 10.4x ↘ 43: 9.9 ↘ 44: 8.3 ↖ 45: 10.1 ↗ 46: 9.9 ↘ 47: 8.7 → 48: 10.9x ↗ 49: 10.3x ↗ 50: 9.3 →
		Serie 98.8 Total 393.8	Serie 97.8 Total 491.6	
60 Skud		51: 8.7 ↗ 52: 10.5x ↖ 53: 10.1 ↗ 54: 10.0 ↗ 55: 10.4x ↘ 56: 9.8 → 57: 10.4x ↗ 58: 10.2x ↘ 59: 9.0 ↗ 60: 9.9 →		
		Serie 99.0 Total 590.6		



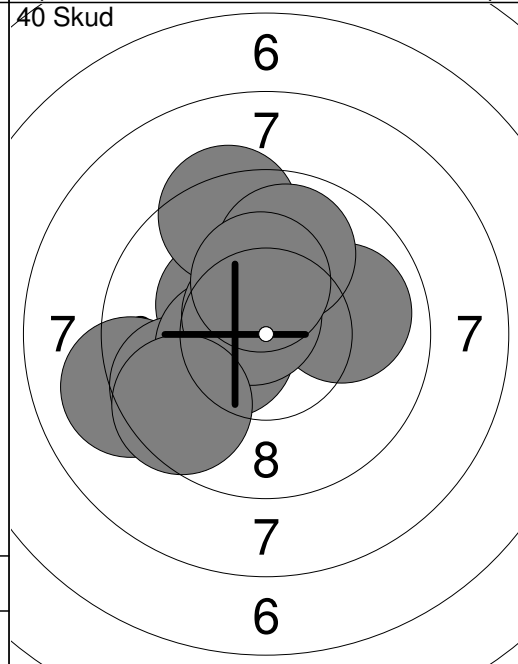
1: 9.7	→
2: 9.6	↘
3: 9.7	←
4: 9.8	↑
5: 10.2x	↑
6: 9.9	↑
7: 10.3x	→
8: 7.9	↘
9: 10.4x	→
10: 10.5x	↑
Serie 98.0	
Total 0.0	



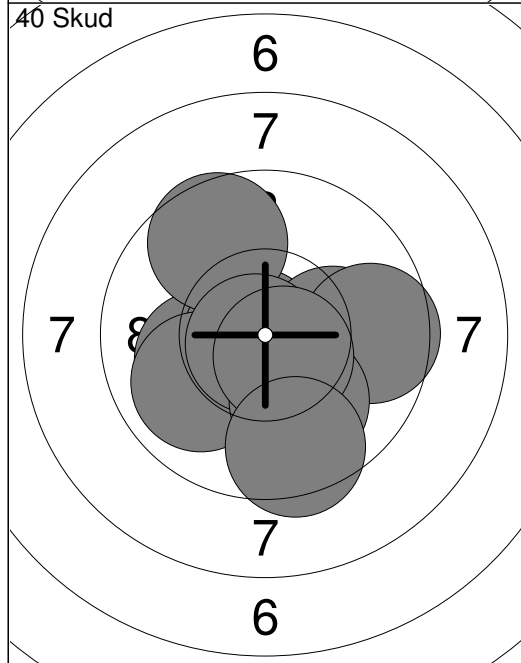
11: 10.1	↓
12: 10.3x	↘
13: 9.1	↖
14: 10.0	↓
15: 9.7	↘
16: 9.2	↘
17: 10.2x	↑
Serie 68.6	
Total 0.0	



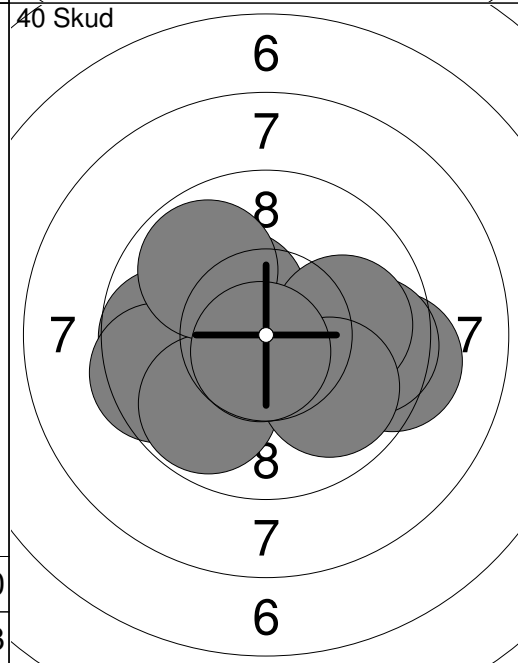
1: 10.2x	↘
2: 10.2x	↑
3: 10.3x	↘
4: 10.7x	↘
5: 10.2x	↑
6: 8.9	←
7: 10.0	↖
8: 10.5x	←
9: 10.6x	→
10: 10.5x	↘
Serie 102.1	
Total 102.1	



11: 9.1	←
12: 10.3x	↘
13: 9.7	←
14: 10.4x	←
15: 9.9	→
16: 9.4	↑
17: 10.6x	↘
18: 9.9	↑
19: 10.3x	↑
20: 9.6	↘
Serie 99.2	
Total 201.3	



21: 10.1	←
22: 10.8x	←
23: 9.6	↑
24: 9.9	↖
25: 10.1	→
26: 9.6	→
27: 10.8x	↘
28: 10.0	↓
29: 10.6x	↘
30: 9.5	↓
Serie 101.0	
Total 302.3	



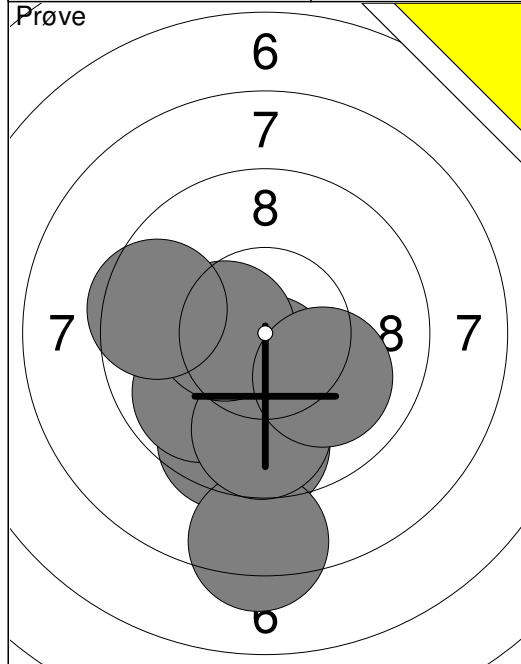
31: 9.7	←
32: 9.3	→
33: 9.6	→
34: 10.4x	↘
35: 9.5	←
36: 9.8	↖
37: 10.0	→
38: 9.8	↖
39: 9.9	↘
40: 10.7x	↘
Serie 98.7	
Total 401.0	

<p>Prøve</p>	<p>1: 9.2 ↖ 2: 9.8 ↖ 3: 9.4 ↑ 4: 9.8 ↗ 5: 10.2x ← 6: 10.6x ↑ 7: 9.9 ↗ 8: 10.3x ↖ 9: 10.8x ↗ 10: 10.0 ←</p> <p>Serie 100.0 Total 0.0</p>	<p>Prøve</p>	<p>11: 10.3x ← 12: 9.9 ↘ 13: 10.5x ← 14: 10.5x → 15: 10.8x ↘ 16: 9.9 ↗ 17: 10.3x → 18: 10.7x ↖ 19: 10.7x ←</p> <p>Serie 93.6 Total 0.0</p>
--------------	---	--------------	--

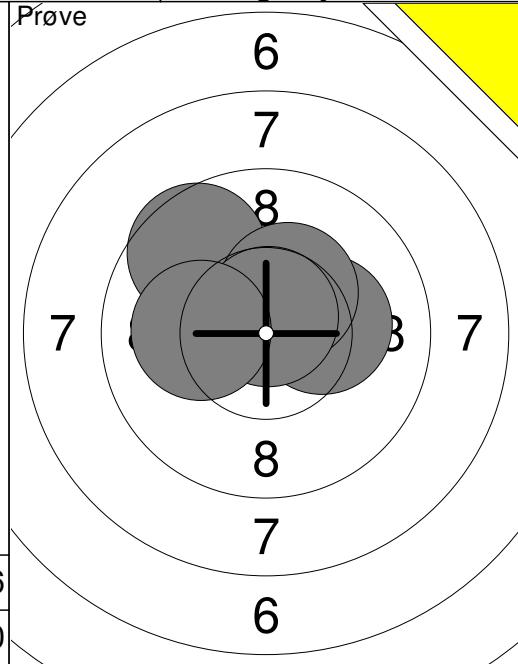
<p>60 Skud</p>	<p>1: 9.9 ↘ 2: 10.1 → 3: 9.8 → 4: 10.5x ↗ 5: 10.6x → 6: 10.2x ↑ 7: 10.2x ↘ 8: 9.9 → 9: 10.4x ← 10: 10.3x ↗</p> <p>Serie 101.9 Total 101.9</p>	<p>60 Skud</p>	<p>11: 10.4x ↓ 12: 10.3x ← 13: 10.0 ↘ 14: 10.4x ↑ 15: 10.3x ↗ 16: 9.7 ↗ 17: 10.6x → 18: 10.9x ← 19: 10.2x ↗ 20: 10.4x ↗</p> <p>Serie 103.2 Total 205.1</p>
----------------	---	----------------	--

<p>60 Skud</p>	<p>21: 10.0 ↘ 22: 10.3x ← 23: 10.0 ← 24: 10.7x ↗ 25: 10.6x ↗ 26: 10.4x → 27: 10.3x ↗ 28: 10.6x ↗ 29: 10.6x ↘ 30: 10.3x ↘</p> <p>Serie 103.8 Total 308.9</p>	<p>60 Skud</p>	<p>31: 10.6x ↗ 32: 10.2x ↘ 33: 10.8x ↘ 34: 10.1 → 35: 10.5x ↗ 36: 9.8 ↗ 37: 9.8 ↗ 38: 10.4x ↖ 39: 10.2x ↘ 40: 10.5x ↘</p> <p>Serie 102.9 Total 411.8</p>
----------------	---	----------------	--

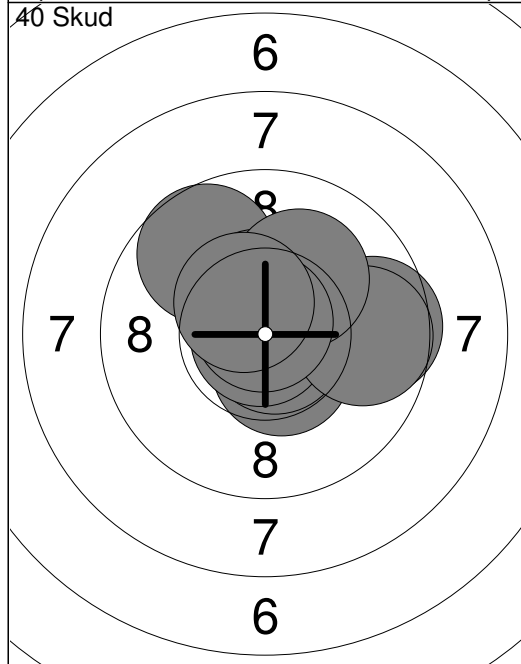
<p>60 Skud</p>	<p>41: 10.1 ↑ 42: 9.8 ↗ 43: 10.4x ↘ 44: 10.3x → 45: 10.3x ↘ 46: 10.0 ↗ 47: 10.2x → 48: 10.5x ↘ 49: 10.6x ↗ 50: 10.7x ↑</p> <p>Serie 102.9 Total 514.7</p>	<p>60 Skud</p>	<p>51: 10.1 ← 52: 10.5x ← 53: 10.6x ↘ 54: 10.6x ← 55: 10.7x → 56: 10.5x → 57: 10.4x ↑ 58: 9.7 ↗ 59: 10.5x ← 60: 10.2x ↗</p> <p>Serie 103.8 Total 618.5</p>
----------------	---	----------------	--



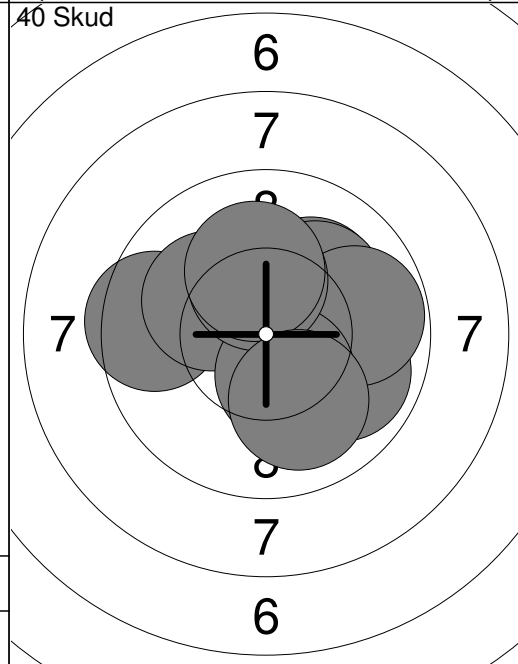
1:	9.5	↓
2:	10.5x	↓
3:	9.5	↓
4:	8.3	↓
5:	10.4x	↘
6:	9.8	↙
7:	9.7	↓
8:	10.4x	↙
9:	9.5	←
10:	10.0	↘
Serie		97.6
Total		0.0



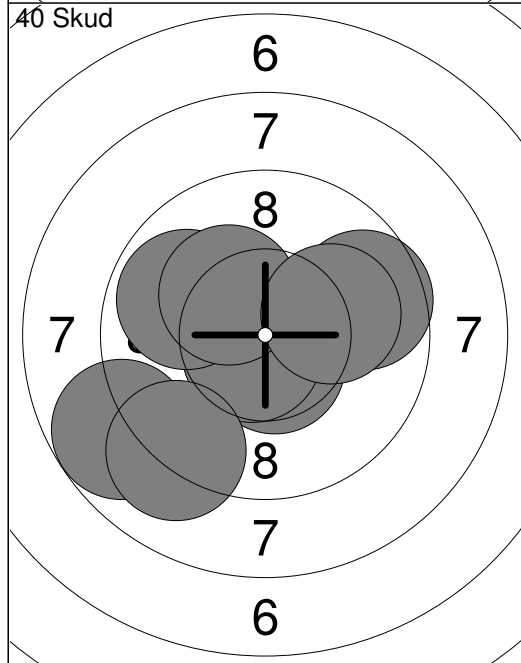
11:	10.2x	→
12:	9.6	↖
13:	10.4x	↗
14:	10.7x	↗
15:	10.1	←
Serie		51.0
Total		0.0



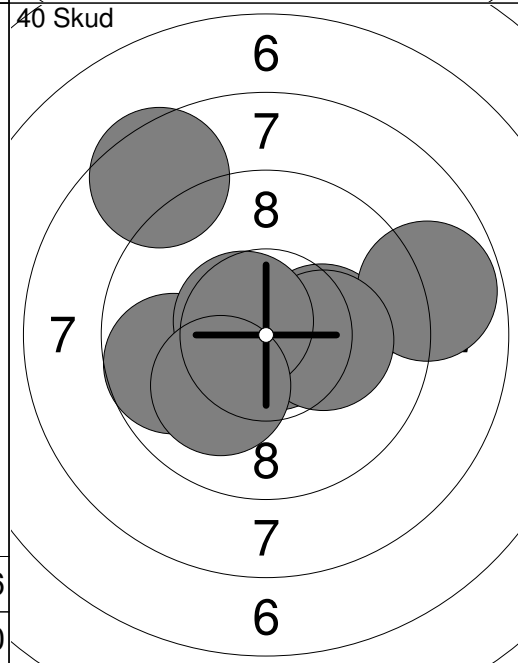
1:	10.5x	↘
2:	10.8x	↘
3:	9.7	↖
4:	10.9x	↘
5:	9.6	→
6:	9.7	→
7:	10.5x	↗
8:	10.1	↗
9:	10.8x	↗
10:	10.5x	↘
Serie		103.1
Total		103.1



11:	9.9	→
12:	9.5	←
13:	10.1	↗
14:	10.1	↗
15:	9.8	→
16:	10.1	↙
17:	10.4x	↘
18:	10.3x	↗
19:	10.1	↑
20:	10.0	↘
Serie		100.3
Total		203.4



21:	10.8x	↘
22:	10.8x	↘
23:	9.6	→
24:	10.6x	↘
25:	10.7x	↘
26:	9.8	↙
27:	10.3x	↘
28:	10.1	→
29:	8.8	↙
30:	9.1	↘
Serie		100.6
Total		304.0



31:	10.8x	↘
32:	10.3x	↘
33:	8.5	↖
34:	10.2x	→
35:	10.8x	↙
36:	8.8	→
37:	9.7	←
38:	10.2x	→
39:	10.6x	↘
40:	10.1	↙
Serie		100.0
Total		404.0

10 meter luftstævne 2015	Aalborg Skyttekreds
--------------------------	---------------------

<p>Prøve</p>	<p>2: 7.1 ↓ 3: 8.6 ↓ 4: 10.3x ← 5: 10.1 ↓ 6: 9.9 ↓ 7: 9.5 ↓ 8: 10.4x ↓ 9: 10.1 ↓ 10: 10.4x ↓</p> <p>Serie 86.4 Total 0.0</p>	<p>Prøve</p>	<p>11: 10.2x ← 12: 10.1 ↑ 13: 10.5x ↑ 14: 9.8 ↗ 15: 9.4 ↘ 16: 10.4x ↓ 17: 10.6x ↓</p> <p>Serie 71.0 Total 0.0</p>
--------------	--	--------------	---

<p>60 Skud</p>	<p>1: 10.4x ↗ 2: 10.1 ↘ 3: 10.5x ↖ 4: 10.3x ↓ 5: 10.5x ↓ 6: 9.9 ↗ 7: 9.7 → 8: 10.0 ↗ 9: 9.5 ↗ 10: 10.0 ↑</p> <p>Serie 100.9 Total 100.9</p>	<p>60 Skud</p>	<p>11: 9.8 ← 12: 10.5x ↑ 13: 10.6x ↘ 14: 10.4x ↗ 15: 10.2x ← 16: 10.8x ↘ 17: 10.5x ↗ 18: 10.6x ↗ 19: 10.4x → 20: 10.0 ↑</p> <p>Serie 103.8 Total 204.7</p>
----------------	---	----------------	--

<p>60 Skud</p>	<p>21: 10.8x ↓ 22: 10.4x ↓ 23: 10.6x ↗ 24: 9.9 ← 25: 10.7x ↑ 26: 10.6x ↗ 27: 10.5x ↗ 28: 10.8x ← 29: 10.0 ↑ 30: 10.6x →</p> <p>Serie 104.9 Total 309.6</p>	<p>60 Skud</p>	<p>31: 10.4x ← 32: 10.3x ↗ 33: 9.6 ↓ 34: 10.2x ↓ 35: 9.5 ↓ 36: 9.3 ← 37: 10.0 ↑ 38: 10.1 ↗ 39: 9.7 ↓ 40: 10.0 ←</p> <p>Serie 99.1 Total 408.7</p>
----------------	--	----------------	---

<p>60 Skud</p>	<p>41: 9.3 ↓ 42: 10.3x → 43: 10.4x ↓ 44: 10.1 ↗ 45: 10.6x ↖ 46: 10.0 ← 47: 9.7 ↗ 48: 9.5 ↖ 49: 9.7 ↓ 50: 9.4 ↓</p> <p>Serie 99.0 Total 507.7</p>	<p>60 Skud</p>	<p>51: 10.8x → 52: 9.0 ↗ 53: 10.5x ↗ 54: 9.6 ↖ 55: 9.9 ↗ 56: 10.3x → 57: 9.4 ← 58: 9.4 ↓ 59: 10.8x → 60: 10.3x ↗</p> <p>Serie 100.0 Total 607.7</p>
----------------	--	----------------	---

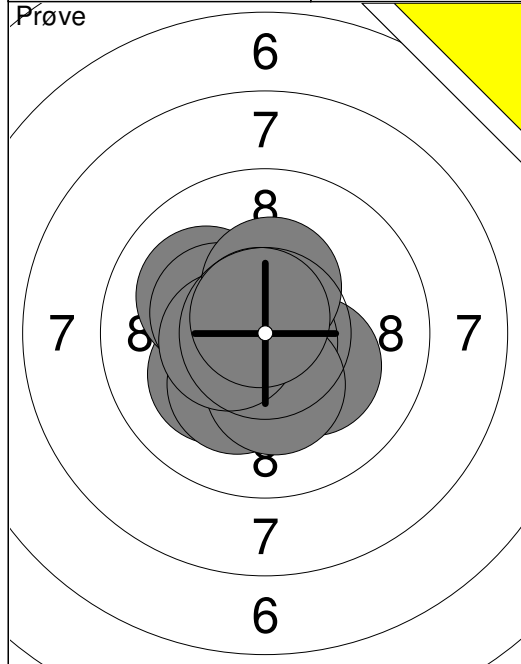
Prøve 	2: 7.5 ↓ 3: 8.4 ↓ 4: 9.2 → 5: 9.3 ↗ 6: 10.2x ↗ 7: 9.0 ↗ 8: 9.4 ↓ 9: 10.2x ↓ 10: 10.3x ↓ <hr/> Serie 83.5 Total 0.0	Prøve 	11: 9.4 ← 12: 9.9 ↗ 13: 9.7 ↓ 14: 9.5 ↓ 15: 9.9 ↗ 16: 9.7 ↗ 17: 10.0 ↗ 18: 9.6 → 19: 9.5 → 20: 9.5 ↓ <hr/> Serie 96.7 Total 0.0
-----------	--	-----------	--

Prøve 	21: 9.1 → 22: 10.1 ↓ <hr/> Serie 19.2 Total 0.0	60 Skud 	1: 10.2x → 2: 10.6x ↑ 3: 10.4x → 4: 10.2x ↓ 5: 9.3 ← 6: 10.4x → 7: 9.9 ↓ 8: 9.8 ↓ 9: 10.5x ↓ 10: 9.9 ↓ <hr/> Serie 101.2 Total 101.2
-----------	--	-------------	---

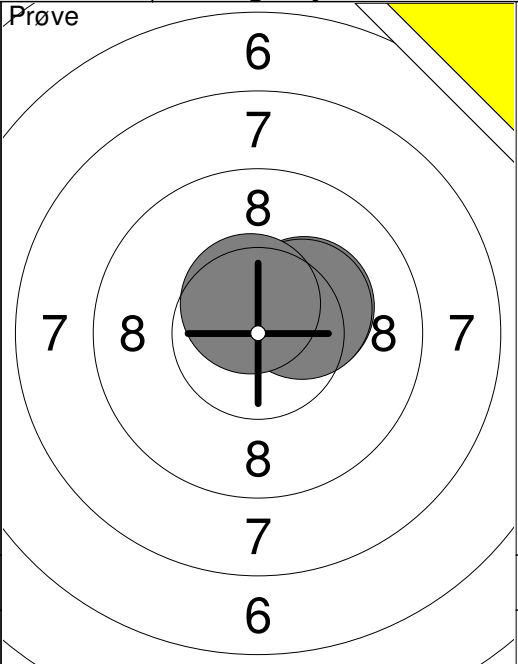
60 Skud 	11: 9.9 → 12: 10.4x ↓ 13: 10.1 → 14: 9.9 → 15: 10.6x ↓ 16: 9.2 → 17: 10.0 ↑ 18: 10.5x → 19: 10.4x ↑ 20: 10.5x ↓ <hr/> Serie 101.5 Total 202.7	60 Skud 	21: 10.6x ↗ 22: 10.0 ↑ 23: 10.2x ↑ 24: 10.3x ← 25: 9.2 ↗ 26: 10.6x ↓ 27: 9.7 ↗ 28: 10.2x → 29: 10.0 ↗ 30: 9.4 ↗ <hr/> Serie 100.2 Total 302.9
-------------	--	-------------	--

60 Skud 	31: 10.0 ↓ 32: 10.6x ↗ 33: 9.6 ← 34: 10.0 ← 35: 10.4x ↗ 36: 9.9 → 37: 10.3x ↑ 38: 10.0 ↑ 39: 9.6 ↗ 40: 10.2x ↗ <hr/> Serie 100.6 Total 403.5	60 Skud 	41: 10.3x → 42: 9.8 ↓ 43: 10.3x ↗ 44: 10.1 ↗ 45: 9.5 ↓ 46: 9.4 ↗ 47: 10.0 ↗ 48: 10.7x ↑ 49: 9.2 ↓ 50: 10.2x → <hr/> Serie 99.5 Total 503.0
-------------	---	-------------	---

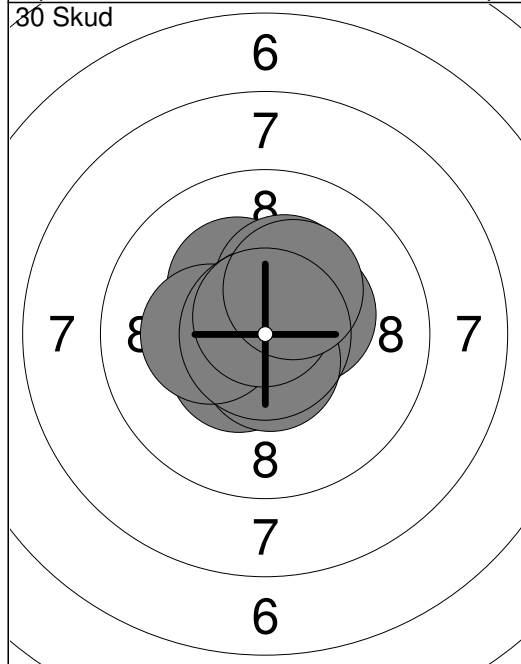
60 Skud 	51: 9.6 ↓ 52: 10.5x ← 53: 10.6x → 54: 10.7x ↗ 55: 10.7x ↓ 56: 9.7 ↓ 57: 10.0 ← 58: 9.3 ↓ 59: 10.3x ← 60: 10.4x ↑ <hr/> Serie 101.8 Total 604.8		
-------------	---	--	--



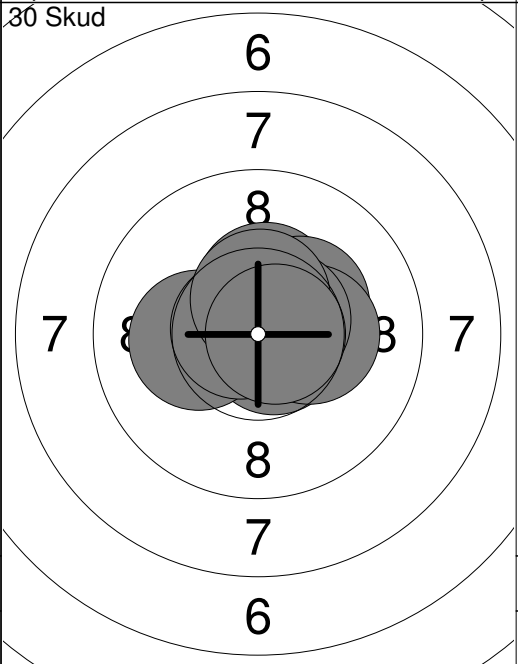
1:	10.2x↘
2:	10.1↙
3:	10.2x↘
4:	10.8x↓
5:	10.2x↘
6:	10.3x↓
7:	10.3x↘
8:	10.5x↔
9:	10.4x↑
10:	10.7x↑
Serie	103.7
Total	0.0



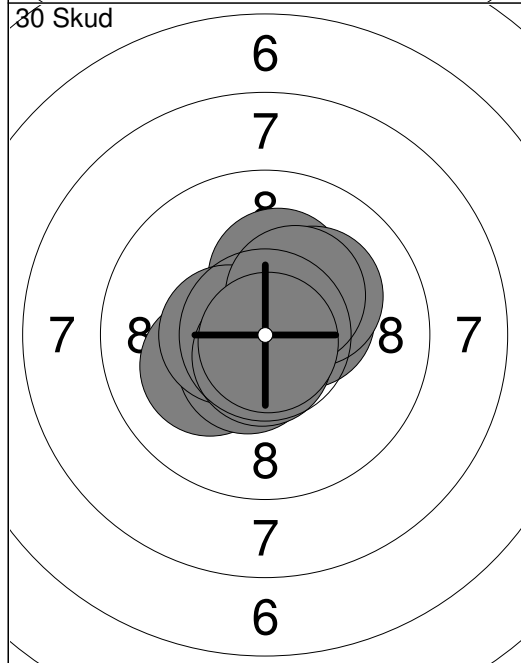
11:	10.3x↗
12:	10.3x↗
13:	10.6x↑
Serie	31.2
Total	0.0



1:	10.4x↗
2:	10.7x↑
3:	10.5x↘
4:	10.6x↘
5:	10.3x↘
6:	10.6x↓
7:	10.3x↔
8:	10.3x↑
9:	10.7x↑
10:	10.3x↑
Serie	104.7
Total	104.7



11:	10.7x↘
12:	10.2x↔
13:	10.4x↑
14:	10.7x↔
15:	10.4x↗
16:	10.3x↗
17:	10.3x➤
18:	10.6x↗
19:	10.5x↑
20:	10.7x➤
Serie	104.8
Total	209.5

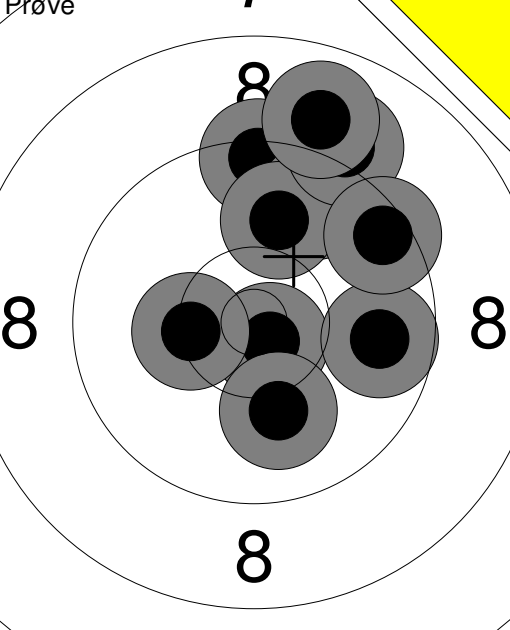
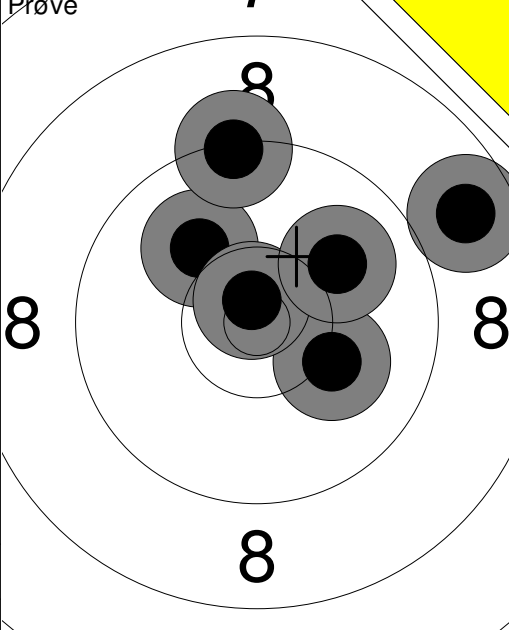


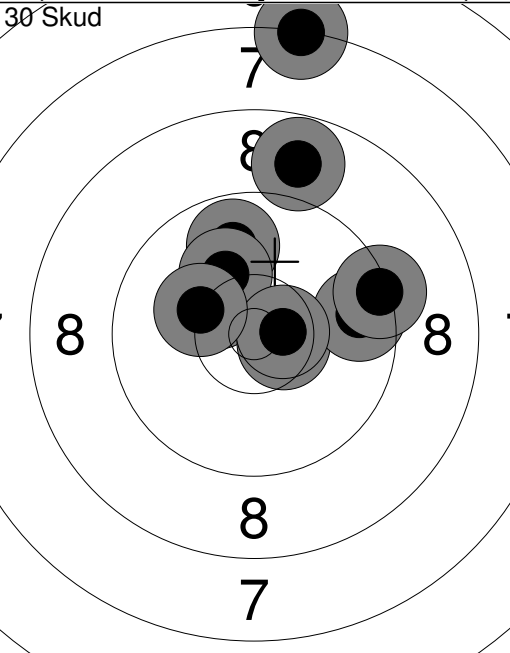
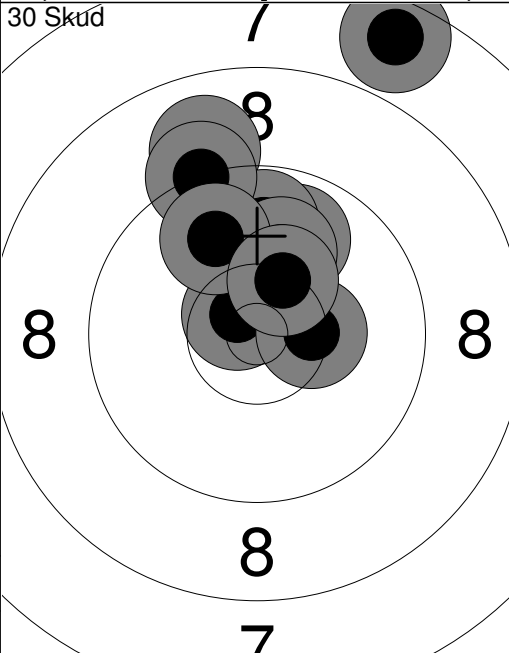
21:	10.5x↘
22:	10.4x➤
23:	10.2x↑
24:	10.2x↗
25:	10.1↙
26:	10.5x↘
27:	10.5x↔
28:	10.7x↓
29:	10.3x↗
30:	10.8x↓
Serie	104.2
Total	313.7

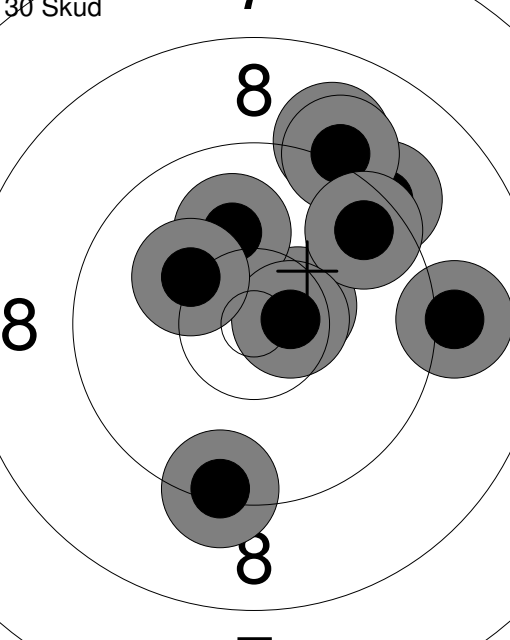
<p>Prøve</p>	<p>1: 8.2 ↘</p> <p>2: 8.2 ↘</p> <p>3: 9.1 ↓</p> <p>4: 7.0 ↓</p> <p>5: 9.9 ↘</p> <p>6: 6.7 ↗</p> <p>7: 8.3 ↖</p> <p>8: 7.5 ←</p> <p>9: 4.0 ↘</p> <p>10: 8.2 ↘</p>	<p>Prøve</p>	<p>11: 8.9 →</p> <p>12: 6.9 ←</p> <p>13: 6.3 ↓</p> <p>14: 9.6 ↑</p> <p>15: 8.7 ↘</p>
Serie 74.0		Serie 37.0	
Total 0.0		Total 0.0	

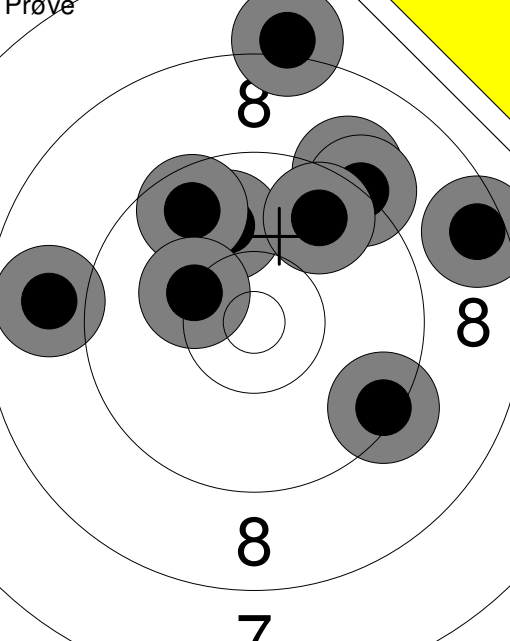
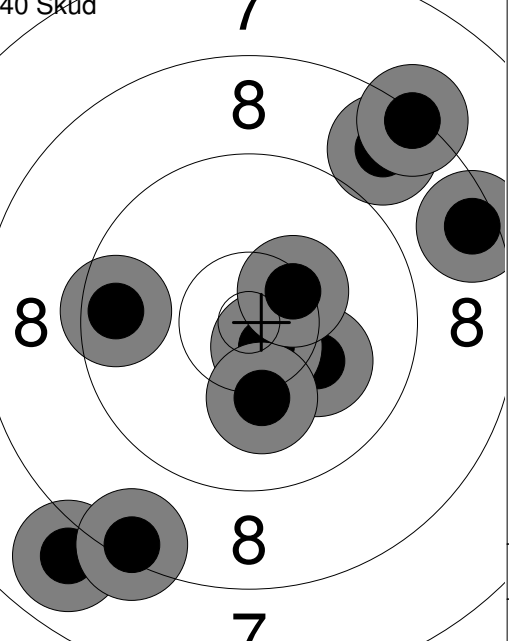
<p>30 Skud</p>	<p>1: 7.1 ↑</p> <p>2: 6.7 ↓</p> <p>3: 8.1 ←</p> <p>4: 8.2 →</p> <p>5: 6.0 ↗</p> <p>6: 10.1 ↖</p> <p>7: 2.8 ↗</p> <p>8: 8.6 ↓</p> <p>9: 10.5x ↓</p> <p>10: 9.2 ↖</p>	<p>30 Skud</p>	<p>11: 8.5 ↓</p> <p>12: 7.6 ↗</p> <p>13: 6.9 ↖</p> <p>14: 8.7 ↓</p> <p>15: 8.9 ←</p> <p>16: 7.3 ↑</p> <p>17: 7.8 →</p> <p>18: 7.6 ←</p> <p>19: 3.3 ↑</p> <p>20: 6.0 ↓</p>
Serie 74.0		Serie 67.0	
Total 74.0		Total 141.0	

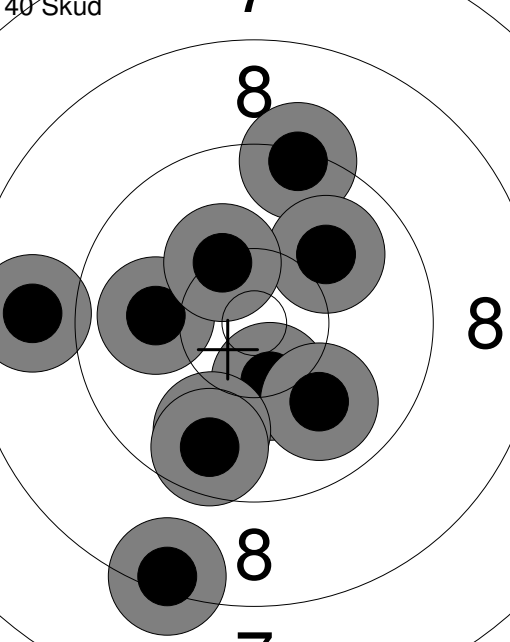
<p>30 Skud</p>	<p>21: 10.4x ↑</p> <p>22: 8.6 ↑</p> <p>23: 6.8 ↑</p> <p>24: 5.0 ←</p> <p>25: 9.6 ↖</p> <p>26: 10.3 ↗</p> <p>27: 9.5 ↓</p> <p>28: 6.1 ↓</p> <p>29: 4.1 ↗</p> <p>30: 8.5 ↑</p>		
Serie 75.0			
Total 216.0			

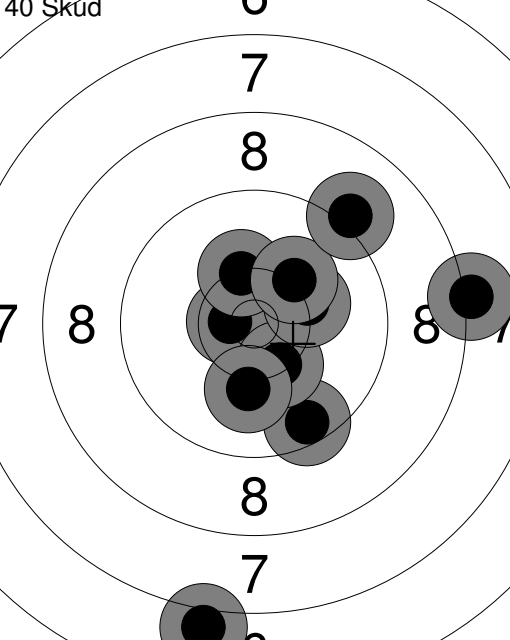
Prøve 	1: 10.7x↘ 2: 9.4 ↑ 3: 9.7 ↗ 4: 10.3← 5: 10.0 ↑ 6: 9.1 ↗ 7: 9.7 → 8: 9.5 ↗ 9: 8.9 ↑ 10: 10.1 ↓ Serie 93.0 Total 0.0	Prøve 	11: 10.2 ↘ 12: 10.1 ↖ 13: 10.7x↖ 14: 8.7 ↗ 15: 9.3 ↑ 16: 10.0 ↗ Serie 57.0 Total 0.0
---	---	---	---

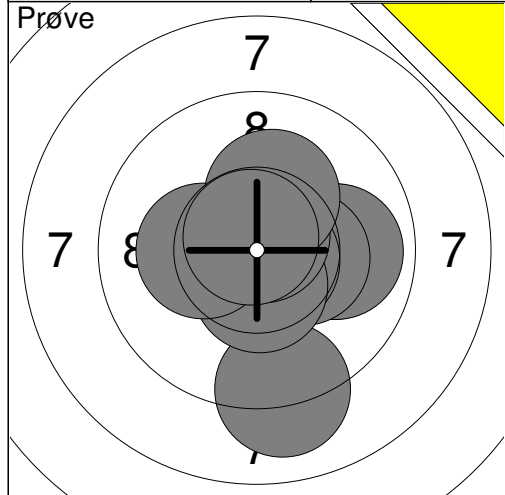
30 Skud 	1: 9.9 ↑ 2: 10.4x↘ 3: 7.3 ↑ 4: 10.1 ↖ 5: 10.6x↘ 6: 9.7 → 7: 9.4 → 8: 10.6x↘ 9: 10.2↖ 10: 8.8 ↑ Serie 92.0 Total 92.0	30 Skud 	11: 7.6 ↗ 12: 9.0 ↖ 13: 9.9 ↗ 14: 9.8 ↑ 15: 10.7x↘ 16: 9.3 ↖ 17: 10.4x↘ 18: 10.1 ↑ 19: 9.9 ↖ 20: 10.3 ↗ Serie 92.0 Total 184.0
--	---	--	---

30 Skud 	21: 10.5x↗ 22: 9.1 → 23: 9.2 ↗ 24: 9.4 ↓ 25: 9.1 ↗ 26: 10.1 ↖ 27: 9.1 ↗ 28: 9.6 ↗ 29: 10.6x↘ 30: 10.2↖ Serie 94.0 Total 278.0		
---	--	--	--

Prøve 	40 Skud 	<table border="1" style="width:100%; border-collapse: collapse;"> <tr><td>1: 8.9</td><td>←</td></tr> <tr><td>2: 9.2</td><td>↗</td></tr> <tr><td>3: 9.2</td><td>↗</td></tr> <tr><td>4: 9.9</td><td>↑</td></tr> <tr><td>5: 9.7</td><td>↖</td></tr> <tr><td>6: 8.1</td><td>↑</td></tr> <tr><td>7: 8.5</td><td>→</td></tr> <tr><td>8: 9.7</td><td>↗</td></tr> <tr><td>9: 9.4</td><td>↘</td></tr> <tr><td>10: 10.3</td><td>↖</td></tr> <tr><td colspan="2">Serie 88.0</td></tr> <tr><td colspan="2">Total 0.0</td></tr> </table>	1: 8.9	←	2: 9.2	↗	3: 9.2	↗	4: 9.9	↑	5: 9.7	↖	6: 8.1	↑	7: 8.5	→	8: 9.7	↗	9: 9.4	↘	10: 10.3	↖	Serie 88.0		Total 0.0	
1: 8.9	←																									
2: 9.2	↗																									
3: 9.2	↗																									
4: 9.9	↑																									
5: 9.7	↖																									
6: 8.1	↑																									
7: 8.5	→																									
8: 9.7	↗																									
9: 9.4	↘																									
10: 10.3	↖																									
Serie 88.0																										
Total 0.0																										

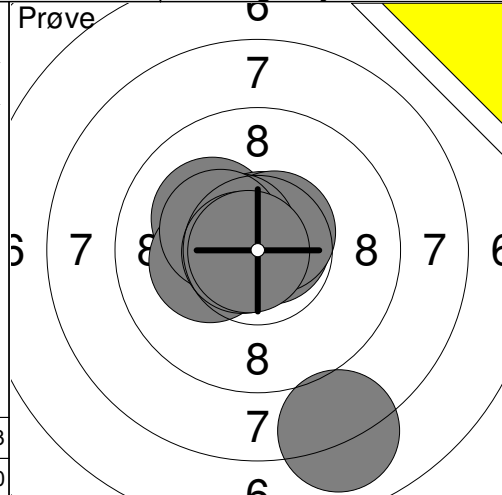
40 Skud 	40 Skud 	<table border="1" style="width:100%; border-collapse: collapse;"> <tr><td>11: 8.4</td><td>↓</td></tr> <tr><td>12: 10.4</td><td>✕</td></tr> <tr><td>13: 10.0</td><td>↘</td></tr> <tr><td>14: 8.8</td><td>←</td></tr> <tr><td>15: 9.3</td><td>↑</td></tr> <tr><td>16: 10.0</td><td>↗</td></tr> <tr><td>17: 10.0</td><td>←</td></tr> <tr><td>18: 9.8</td><td>↓</td></tr> <tr><td>19: 10.3</td><td>↗</td></tr> <tr><td>20: 9.7</td><td>↓</td></tr> <tr><td colspan="2">Serie 93.0</td></tr> <tr><td colspan="2">Total 181.0</td></tr> </table>	11: 8.4	↓	12: 10.4	✕	13: 10.0	↘	14: 8.8	←	15: 9.3	↑	16: 10.0	↗	17: 10.0	←	18: 9.8	↓	19: 10.3	↗	20: 9.7	↓	Serie 93.0		Total 181.0	
11: 8.4	↓																									
12: 10.4	✕																									
13: 10.0	↘																									
14: 8.8	←																									
15: 9.3	↑																									
16: 10.0	↗																									
17: 10.0	←																									
18: 9.8	↓																									
19: 10.3	↗																									
20: 9.7	↓																									
Serie 93.0																										
Total 181.0																										

40 Skud 	<table border="1" style="width:100%; border-collapse: collapse;"> <tr><td>21: 10.3</td><td>↑</td></tr> <tr><td>22: 10.4</td><td>✕</td></tr> <tr><td>23: 10.2</td><td>↖</td></tr> <tr><td>24: 10.1</td><td>↑</td></tr> <tr><td>25: 10.2</td><td>↖</td></tr> <tr><td>26: 9.3</td><td>→</td></tr> <tr><td>27: 8.5</td><td>↓</td></tr> <tr><td>28: 7.5</td><td>↖</td></tr> <tr><td>29: 10.1</td><td>↖</td></tr> <tr><td>30: 8.8</td><td>→</td></tr> <tr><td colspan="2">Serie 92.0</td></tr> <tr><td colspan="2">Total 273.0</td></tr> </table>	21: 10.3	↑	22: 10.4	✕	23: 10.2	↖	24: 10.1	↑	25: 10.2	↖	26: 9.3	→	27: 8.5	↓	28: 7.5	↖	29: 10.1	↖	30: 8.8	→	Serie 92.0		Total 273.0	
21: 10.3	↑																								
22: 10.4	✕																								
23: 10.2	↖																								
24: 10.1	↑																								
25: 10.2	↖																								
26: 9.3	→																								
27: 8.5	↓																								
28: 7.5	↖																								
29: 10.1	↖																								
30: 8.8	→																								
Serie 92.0																									
Total 273.0																									



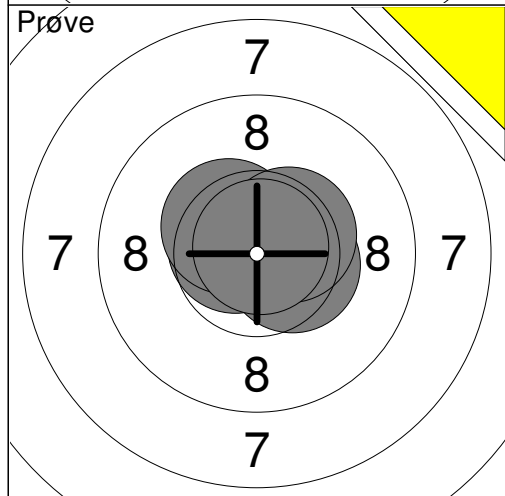
1:	9.1	↓
2:	9.9	→
3:	9.9	→
4:	10.3x	→
5:	10.7x	↓
6:	10.5x	↓
7:	10.2x	←
8:	10.7x	↑
9:	10.2x	↑
10:	10.8x	↑

Serie	102.3
Total	0.0



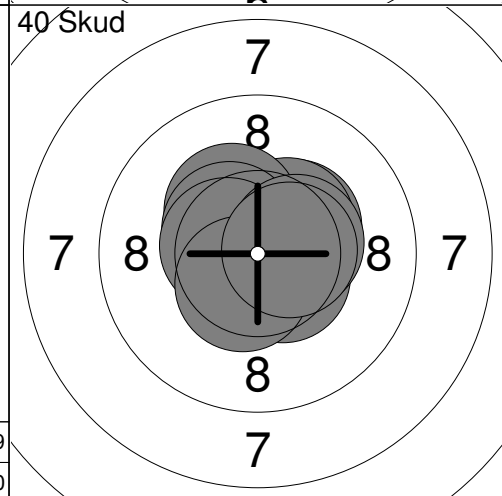
11:	10.1	↖
12:	8.0	↓
13:	10.7x	↑
14:	10.8x	↗
15:	10.6x	↗
16:	10.2x	←
17:	10.6x	↖
18:	10.3x	↖
19:	10.7x	←
20:	10.8x	←

Serie	102.8
Total	0.0



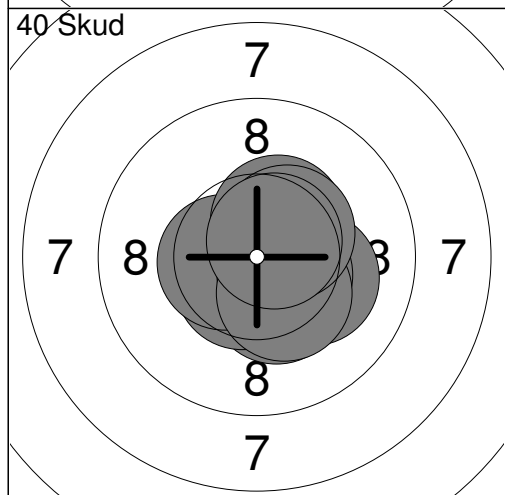
21:	10.7x	↖
22:	10.5x	→
23:	10.4x	↗
24:	10.5x	↗
25:	10.8x	↗

Serie	52.9
Total	0.0



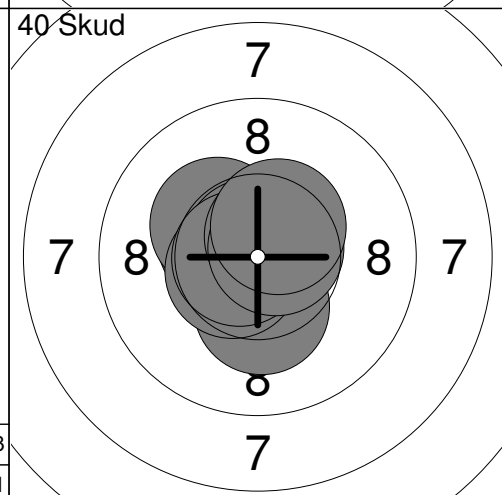
1:	10.4x	↗
2:	10.4x	↗
3:	10.8x	↑
4:	10.3x	↗
5:	10.5x	↗
6:	10.5x	↓
7:	10.5x	←
8:	10.4x	→
9:	10.5x	↓
10:	10.5x	→

Serie	104.8
Total	104.8



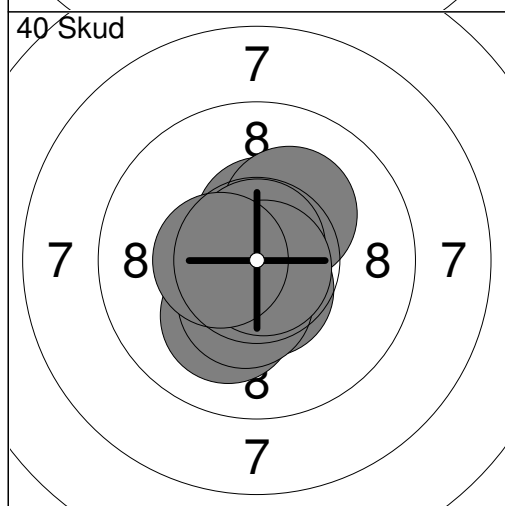
11:	10.4x	↗
12:	10.4x	↓
13:	10.6x	↓
14:	10.5x	←
15:	10.2x	→
16:	10.4x	↗
17:	10.5x	↓
18:	10.3x	↓
19:	10.4x	↗
20:	10.6x	↗

Serie	104.3
Total	209.1



21:	10.6x	←
22:	10.5x	↖
23:	10.3x	↖
24:	10.3x	↓
25:	10.8x	↗
26:	10.6x	↖
27:	10.7x	←
28:	10.6x	↗
29:	10.7x	↗
30:	10.5x	↗

Serie	105.6
Total	314.7



31:	10.3x	↗
32:	10.5x	↑
33:	10.2x	↗
34:	10.8x	↑
35:	10.1	↓
36:	10.6x	↓
37:	10.6x	↓
38:	10.4x	↓
39:	10.8x	↓
40:	10.5x	←

Serie	104.8
Total	419.5