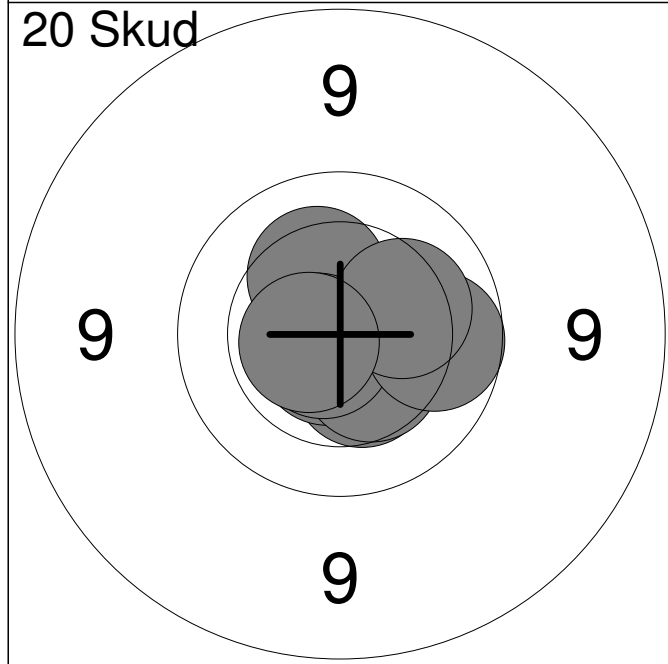
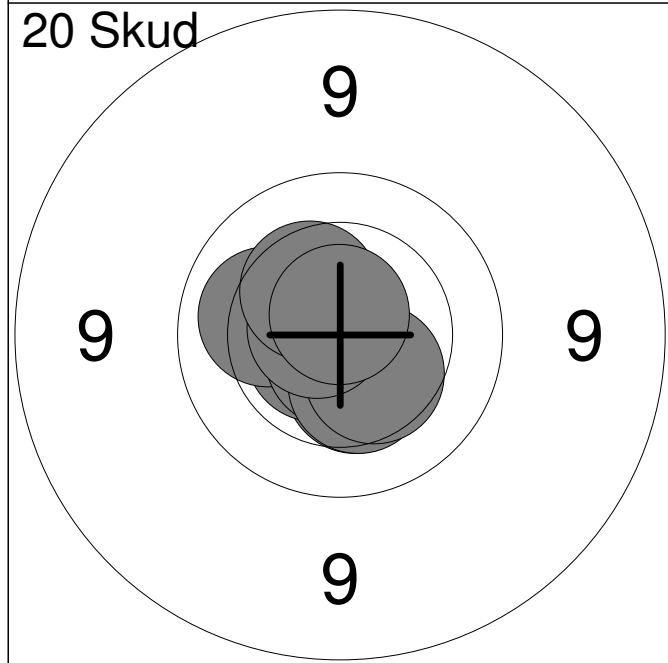


1:	9.8	↑
2:	10.3	↓
3:	10.0	↓
4:	10.5x	↗
5:	10.3	↗
6:	10.5x	↓
Serie		59.0
Total		0.0

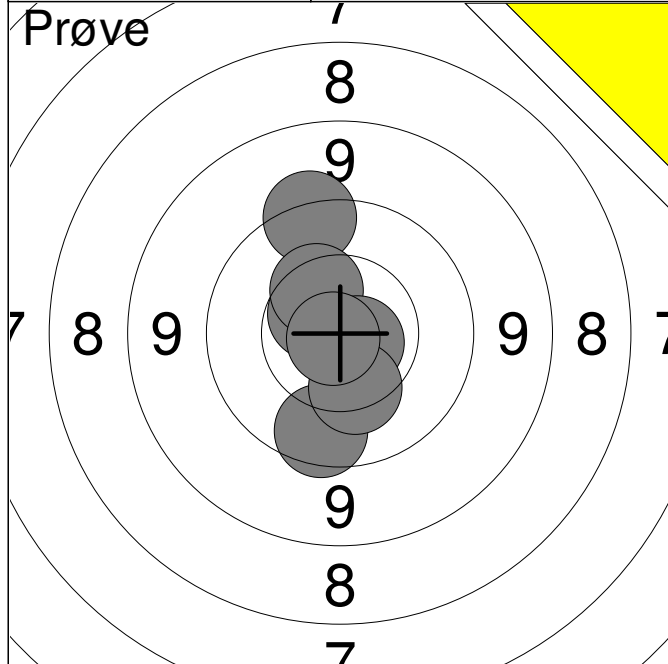


1:	10.4	↓
2:	10.3	↗
3:	10.7x	↓
4:	10.8x	↓
5:	10.7x	←
6:	10.4	↓
7:	10.7x	←
8:	9.9	→
9:	10.2	↗
10:	10.6x	←
Serie		99.0
Total		99.0

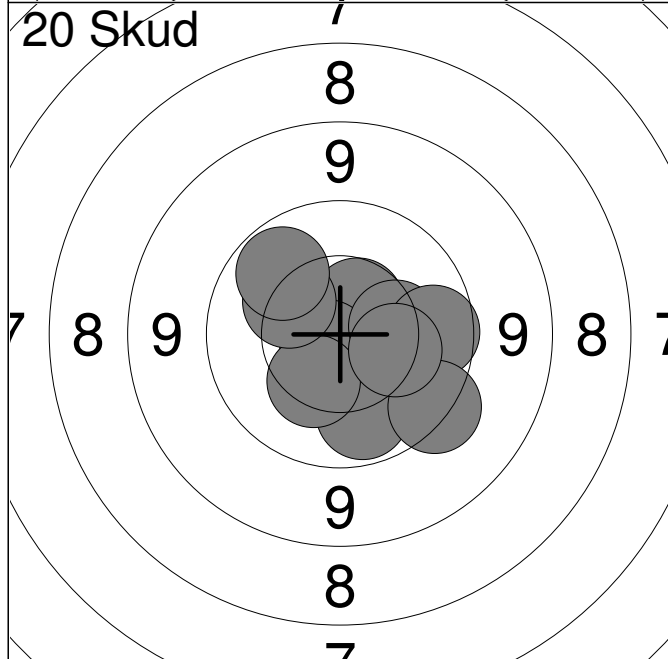


11:	10.8x	↓
12:	10.4	↓
13:	10.6x	←
14:	10.1	↖
15:	10.7x	↓
16:	10.4	↓
17:	10.4	↓
18:	10.7x	↖
19:	10.4	↗
20:	10.7x	↑
Serie		100.0
Total		199.0

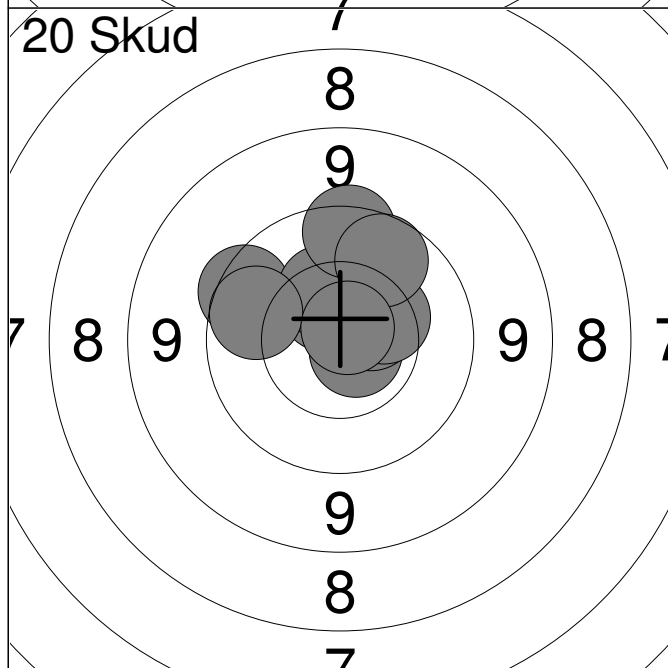
Hold	Skive	Lærke Iversen	
1	3	Vesterkæret	Frederikshavn Skyttekreds
		15m stævne oktober 2015	Aalborg Skyttekreds
Prøve		1: 9.5 ↖	
		2: 10.1 →	
		3: 9.8 ↑	
		4: 10.2 ↓	
		5: 9.4 →	
		Serie	47.0
		Total	0.0
20 Skud		1: 10.4 ↑	
		2: 10.6x ↑	
		3: 10.5x ↘	
		4: 10.0 →	
		5: 10.1 ↙	
		6: 9.4 →	
		7: 10.2 ↓	
		8: 10.0 →	
		9: 9.6 →	
		10: 10.6x ↖	
		Serie	98.0
		Total	98.0
20 Skud		11: 9.6 →	
		12: 10.3 →	
		13: 9.8 →	
		14: 9.8 ↗	
		15: 9.8 →	
		16: 9.9 ←	
		17: 10.4 ↙	
		18: 9.4 →	
		19: 9.6 ↗	
		20: 10.2 ↑	
		Serie	93.0
		Total	191.0



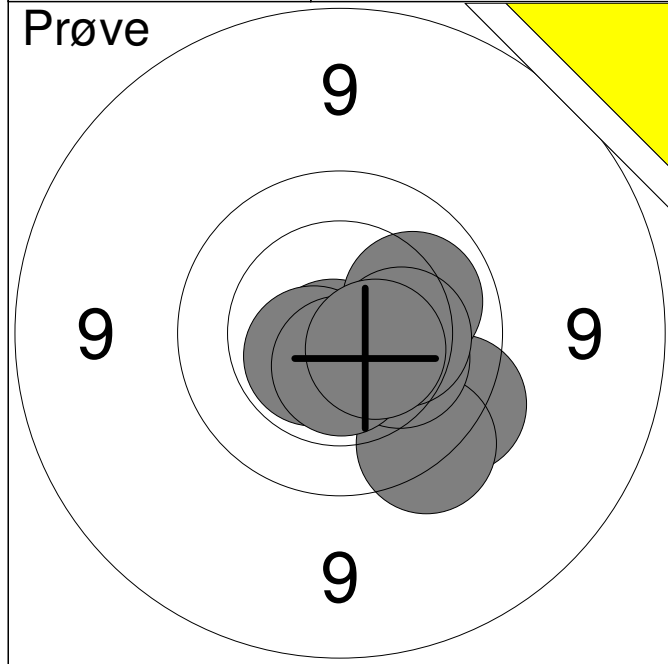
1:	9.5	↑
2:	10.6	↗
3:	10.4	↗
4:	9.8	↓
5:	10.7x	↘
6:	10.3	↓
7:	10.9x	↙
Serie		68.0
Total		0.0



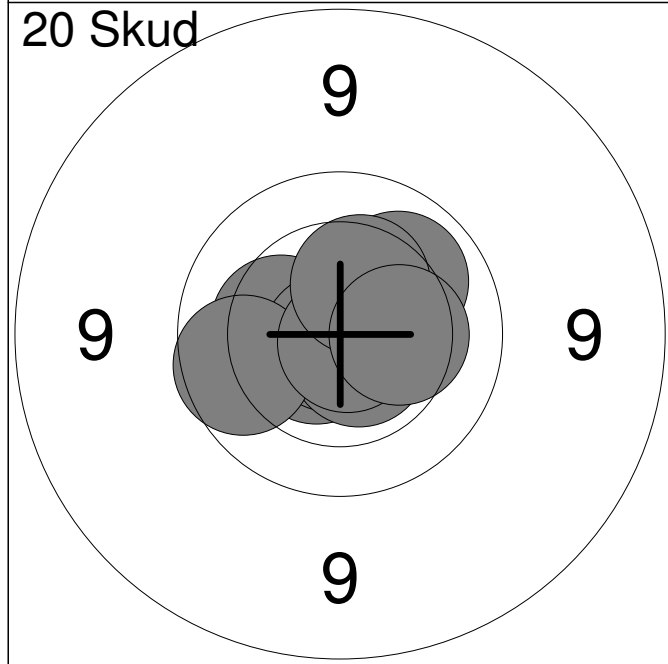
1:	10.0	↓
2:	10.6	↗
3:	10.7x	↙
4:	10.3	↓
5:	10.3	→
6:	9.9	→
7:	9.5	↓
8:	10.3	→
9:	10.3	↗
10:	10.0	↗
Serie		98.0
Total		98.0



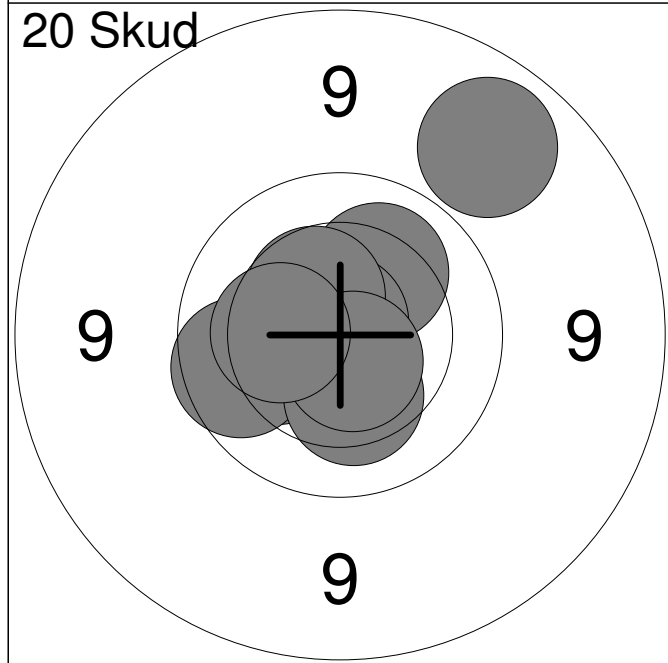
11:	10.5	↑
12:	9.7	↗
13:	10.7x	↘
14:	10.4	↗
15:	9.9	↙
16:	10.5	↗
17:	10.4	↗
18:	9.7	↑
19:	9.9	↗
20:	10.8x	↗
Serie		96.0
Total		194.0



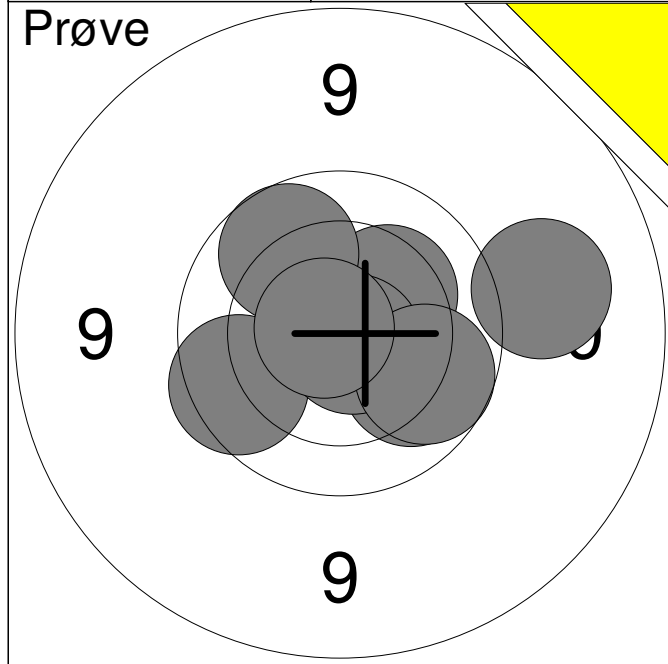
1:	9.7	↘
2:	9.7	↘
3:	10.2	→
4:	10.8x	↘
5:	10.6x	↙
6:	10.1	→
7:	10.6x	↓
8:	10.3	→
9:	10.5x	↘
Serie		88.0
Total		0.0



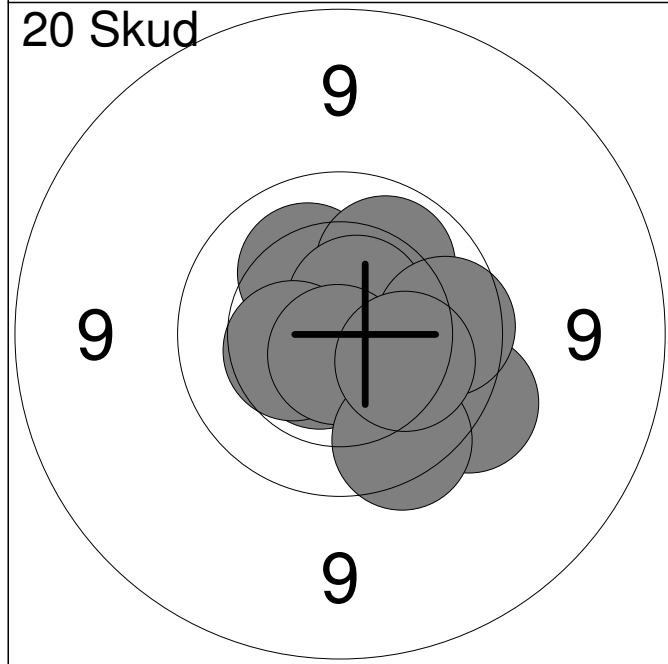
1:	10.6x	↙
2:	10.3	←
3:	10.8x	↙
4:	10.6x	↘
5:	10.1	↗
6:	9.9	←
7:	10.5x	→
8:	10.8x	↘
9:	10.4	↗
10:	10.3	→
Serie		99.0
Total		99.0



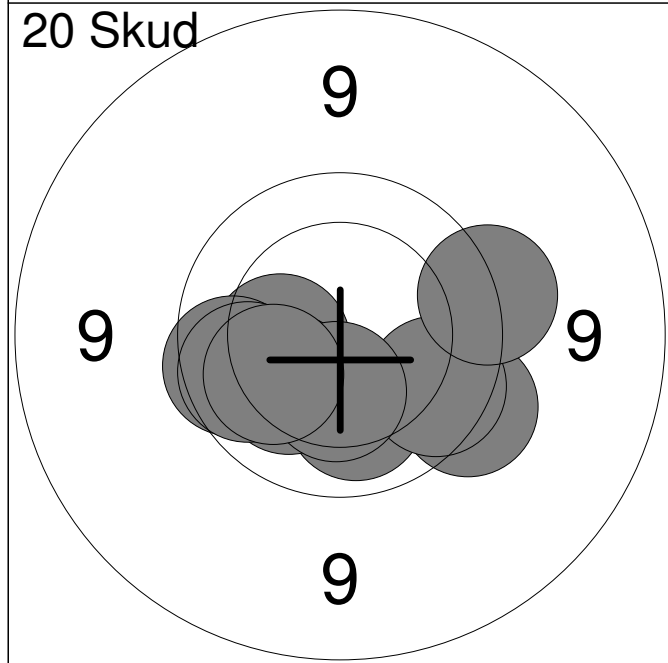
11:	10.7x	↖
12:	10.2	↗
13:	10.2	←
14:	9.1	↗
15:	9.9	←
16:	10.8x	↗
17:	10.5	↗
18:	10.3	↘
19:	10.6x	↘
20:	10.3	←
Serie		98.0
Total		197.0



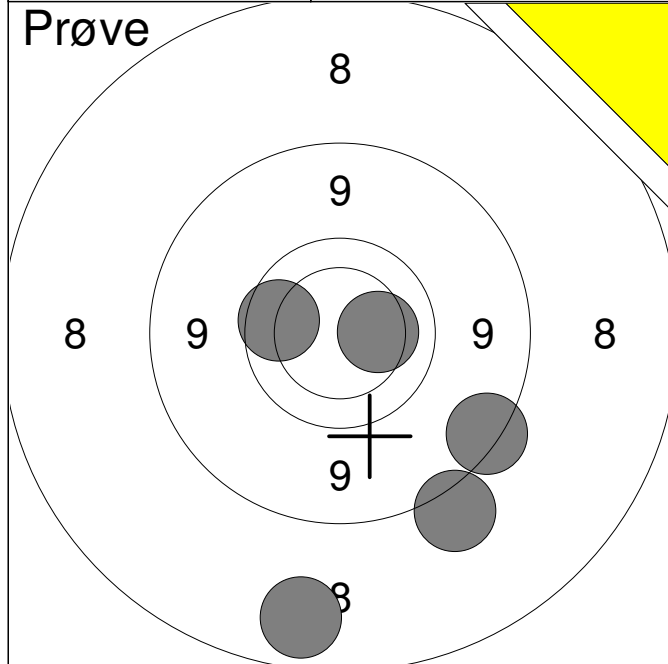
1:	10.3	↗
2:	9.8	↖
3:	10.1	↘
4:	10.8x	↘
5:	9.2	→
6:	9.9	↘
7:	9.9	↗
8:	10.8x	↖
Serie		76.0
Total		0.0



1:	10.2	↗
2:	10.1	↗
3:	9.6	↘
4:	10.6x	↗
5:	10.6x	↖
6:	10.4	↖
7:	9.9	→
8:	10.7x	↘
9:	9.8	↘
10:	10.2	→
Serie		97.0
Total		97.0

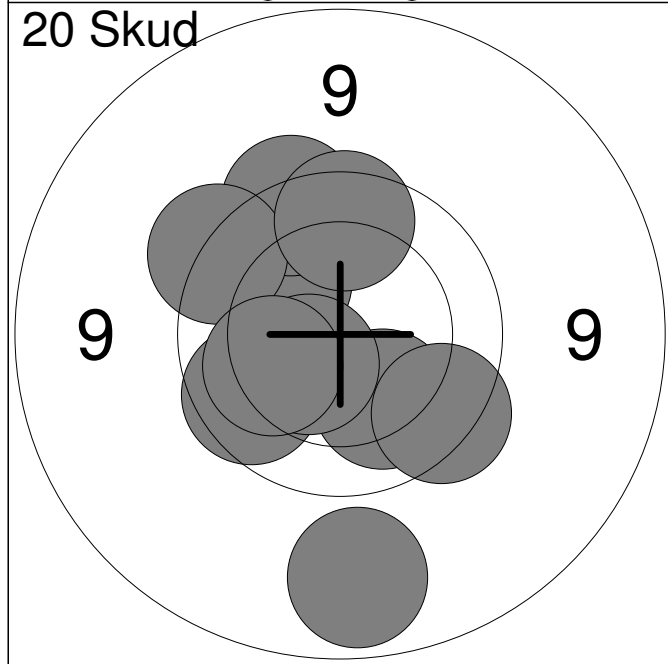


11:	9.6	↘
12:	10.3	↖
13:	9.8	↖
14:	10.1	↘
15:	10.2	↖
16:	9.8	↘
17:	9.6	→
18:	9.9	↖
19:	10.3	↘
20:	10.1	↖
Serie		95.0
Total		192.0



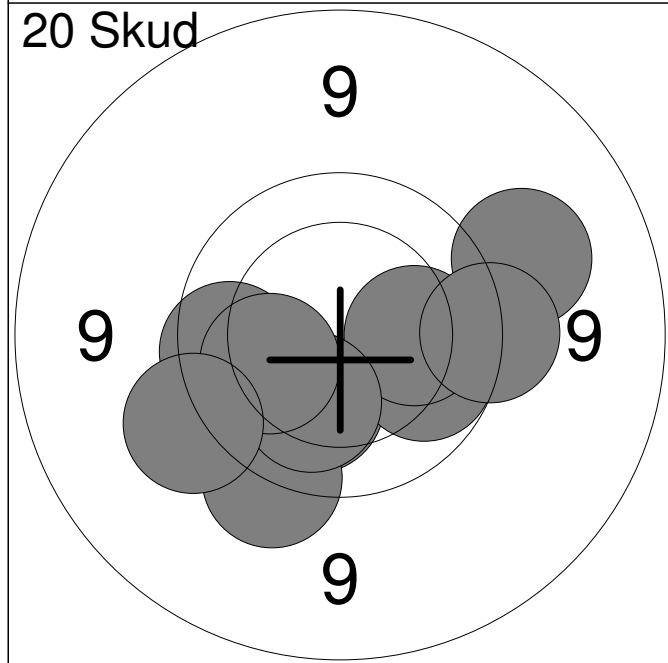
1:	8.0	↓
2:	8.5	↓
3:	8.8	↓
4:	10.2	→
5:	9.9	←

Serie	43.0
Total	0.0



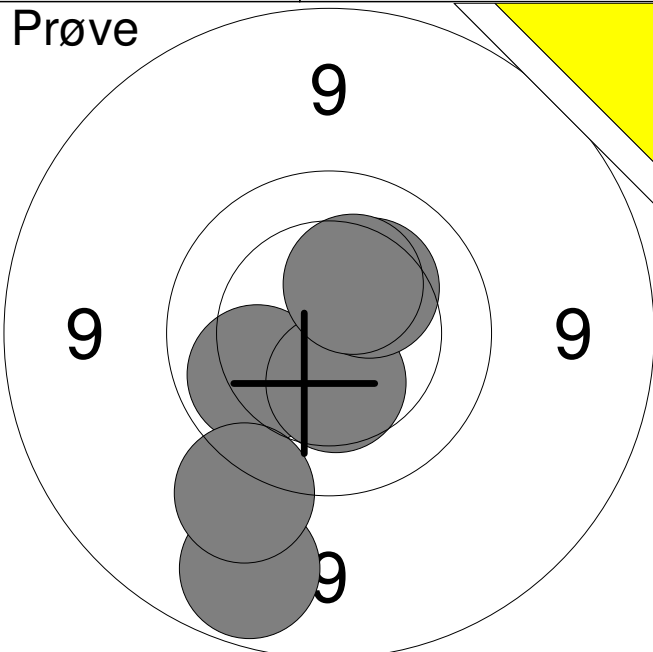
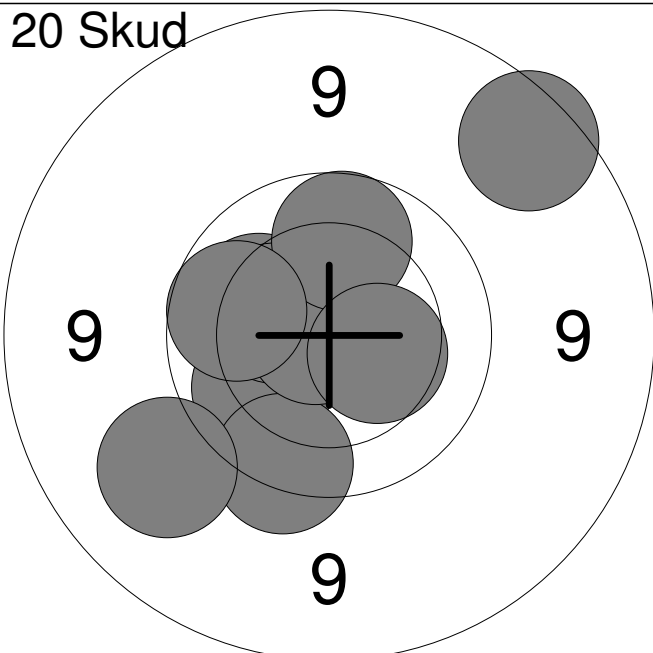
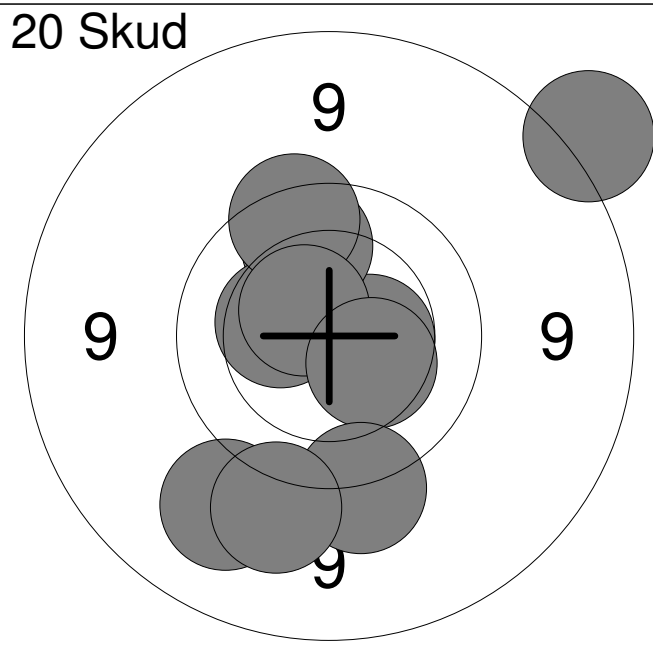
1:	10.1	↗
2:	9.7	↗
3:	9.6	↗
4:	9.8	↑
5:	10.1	↓
6:	9.7	↓
7:	9.9	←
8:	10.5	←
9:	9.0	↓
10:	10.1	↙

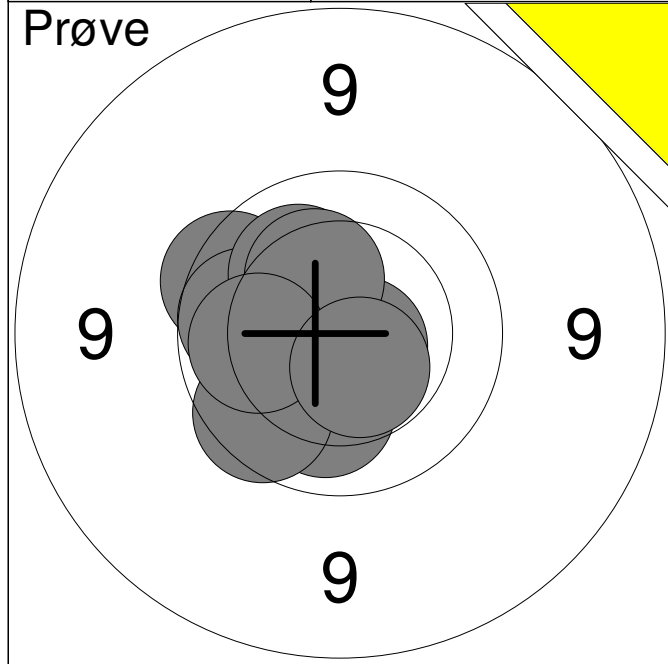
Serie	94.0
Total	94.0



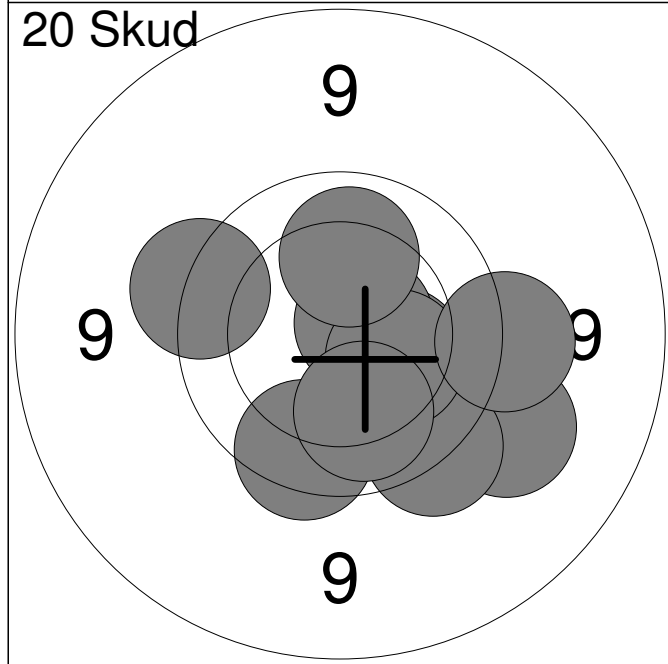
11:	9.3	↗
12:	10.2	↓
13:	9.5	↓
14:	10.0	→
15:	9.8	←
16:	10.1	→
17:	10.2	↓
18:	10.1	←
19:	9.5	↙
20:	9.6	→

Serie	95.0
Total	189.0

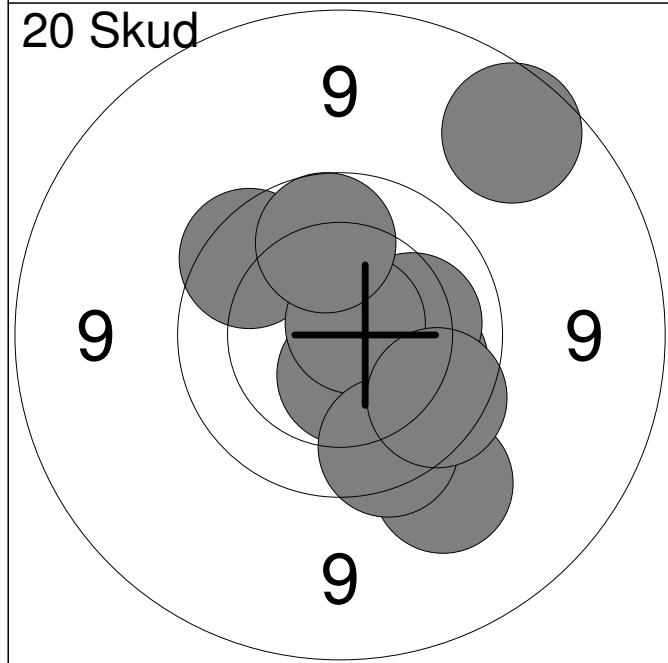
Hold 2	Skive 2	Elias Erbs		
Vesterkæret		Frederikshavn Skyttekreds		BK3
		15m stævne oktober 2015	Aalborg Skyttekreds	
Prøve 		1: 9.0 ↘ 2: 10.1 ↙ 3: 10.4 ↓ 4: 9.4 ↙ 5: 10.3 ↗ 6: 10.4 ↗	Serie 58.0 Total 0.0	
20 Skud 		1: 10.0 ↙ 2: 9.7 ↓ 3: 10.1 ↙ 4: 10.3 ↙ 5: 8.9 ↗ 6: 9.2 ↙ 7: 10.8x ← 8: 9.9 ↑ 9: 9.9 ← 10: 10.4 →	Serie 94.0 Total 94.0	
20 Skud 		11: 10.5 → 12: 9.9 ↑ 13: 10.4 ← 14: 9.7 ↑ 15: 9.2 ↙ 16: 10.5x ↗ 17: 10.4 ↘ 18: 9.5 ↓ 19: 9.3 ↓ 20: 8.6 ↗	Serie 93.0 Total 187.0	



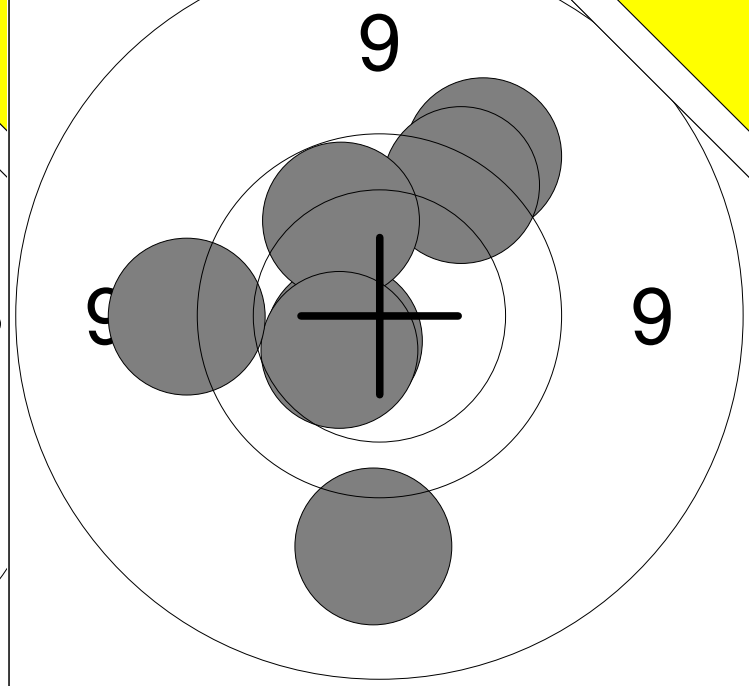
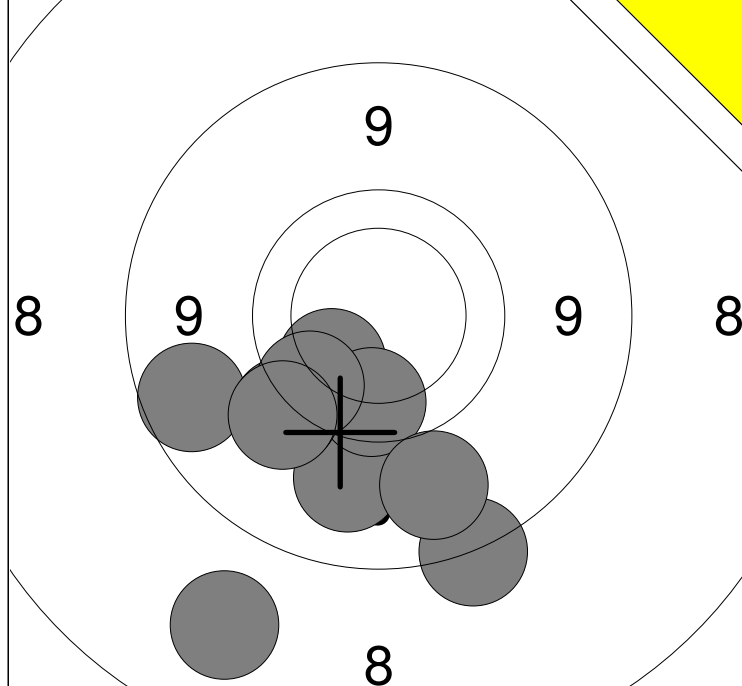
1:	10.7x	↘
2:	9.8	↗
3:	9.9	←
4:	10.4	↙
5:	10.2	↗
6:	10.1	↙
7:	10.3	↗
8:	9.8	↙
9:	10.1	←
10:	10.5x	↘
Serie		97.0
Total		0.0



1:	10.3	→
2:	10.7x	→
3:	9.3	↘
4:	9.6	↘
5:	10.3	→
6:	9.8	↙
7:	10.1	↙
8:	10.1	↑
9:	9.6	←
10:	9.5	→
Serie		95.0
Total		95.0

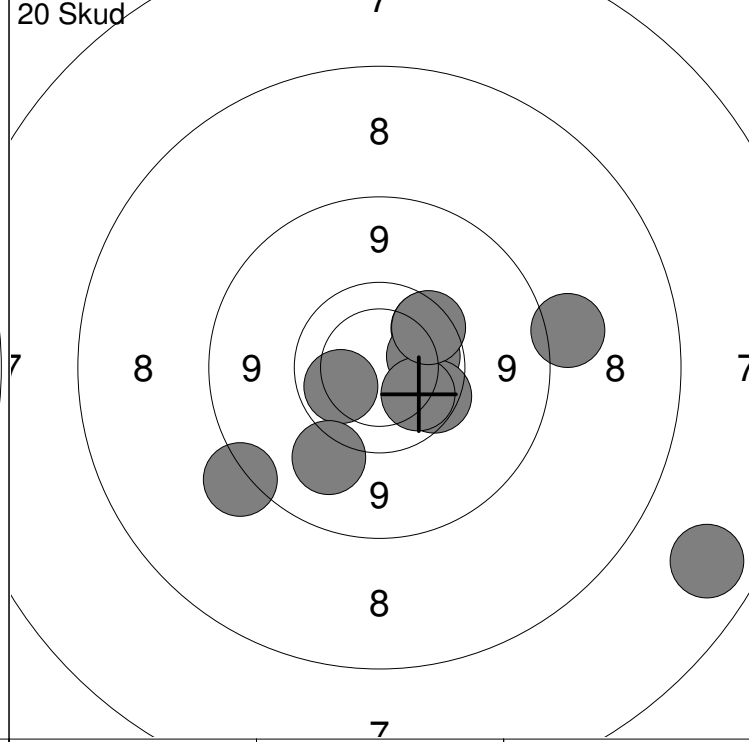
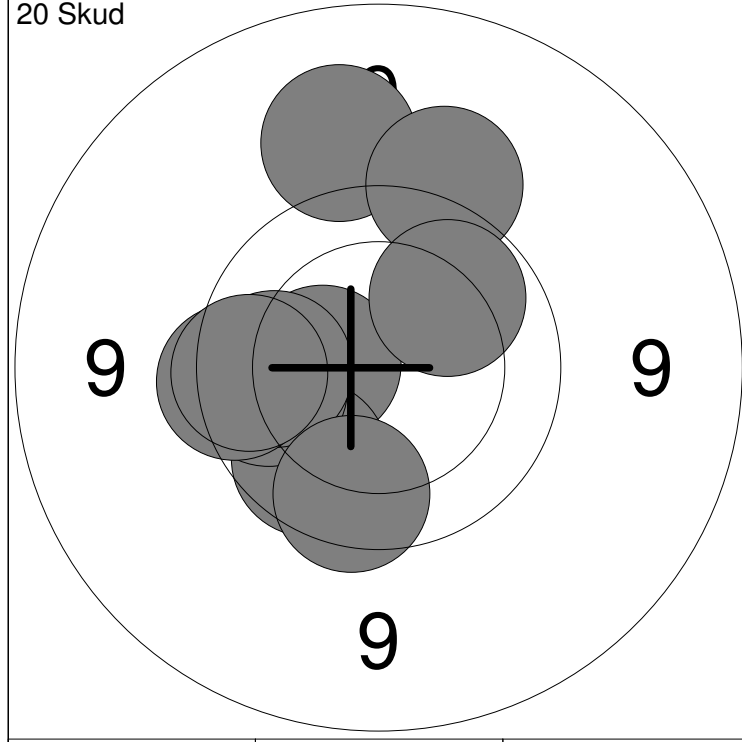


11:	9.8	↗
12:	10.1	→
13:	10.5x	↘
14:	10.2	→
15:	10.7x	↗
16:	9.9	↑
17:	8.9	↗
18:	9.4	↙
19:	9.8	↙
20:	9.8	↘
Serie		93.0
Total		188.0



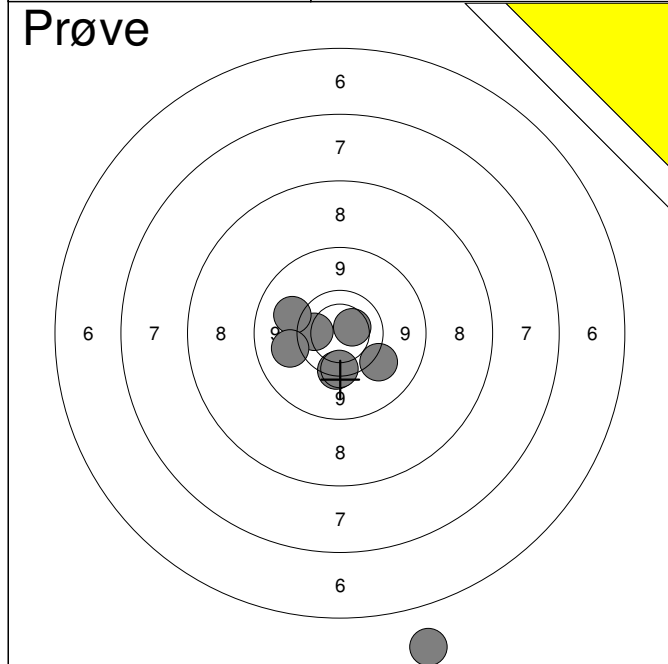
1: 8.7 ↓	6: 9.8 ↓	Serie	88
2: 10.0 ↙	7: 9.5 ↙		
3: 8.2 ↓	8: 9.7 ↙	Total	0
4: 9.2 ↓	9: 9.1 ↓		
5: 8.9 ↙	10: 9.4 ↙		

11: 10.5x ↙	16: 10.4 ↙	Serie	66
12: 9.5 ↗	17: 9.5 ←		
13: 9.7 ↗		Total	0
14: 9.3 ↓	15: 10.0 ↗		

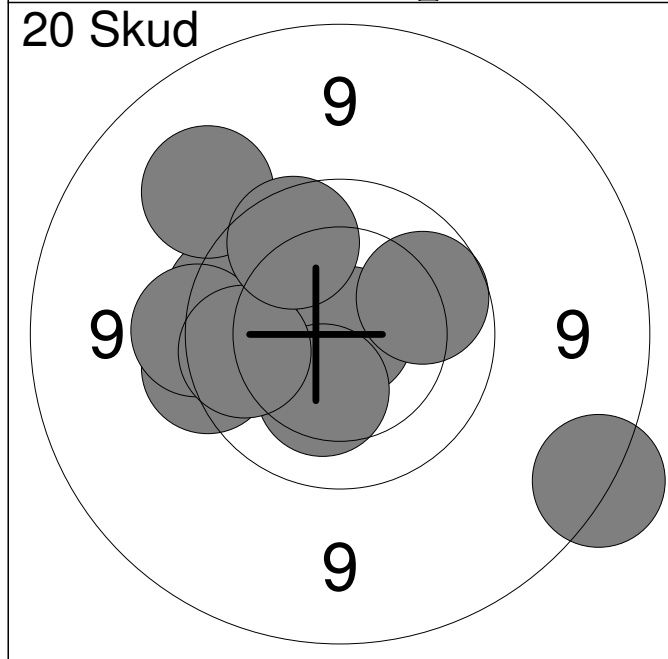


1: 10.4 ←	6: 9.7 ←	Serie	92
2: 9.3 ↑	7: 9.5 ↑		
3: 9.9 ↙	8: 9.8 ↓	Total	92
4: 9.9 ←	9: 9.8 ←		
5: 9.9 ←	10: 10.0 ↗		

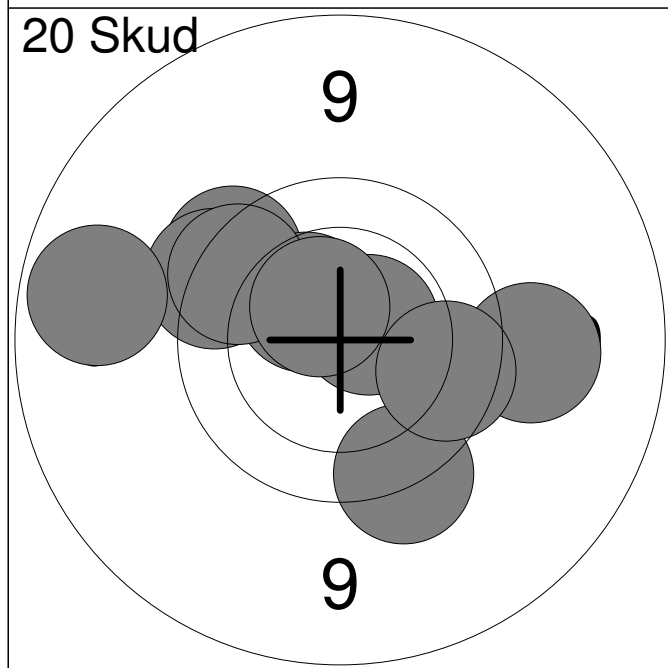
11: 7.1 →	16: 9.3 ↓	Serie	89
12: 10.1 ↙	17: 10.0 ↘		
13: 9.8 ↗	18: 8.5 →	Total	181
14: 10.0 →	19: 8.6 ↙		
15: 9.8 →	20: 9.8 ↗		



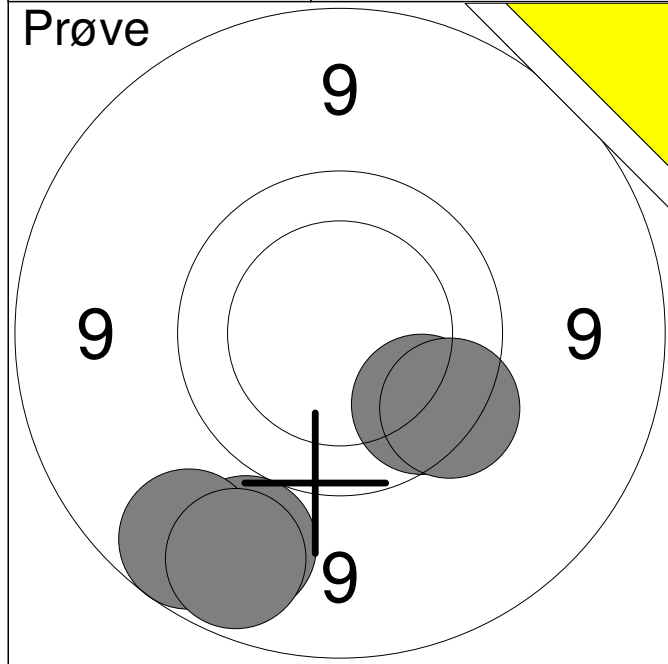
1:	0.0	↓
2:	9.4	↓
3:	9.7	↓
4:	9.9	←
5:	9.3	←
6:	9.7	↓
7:	9.3	←
8:	10.4	↗
Serie		64.0
Total		0.0



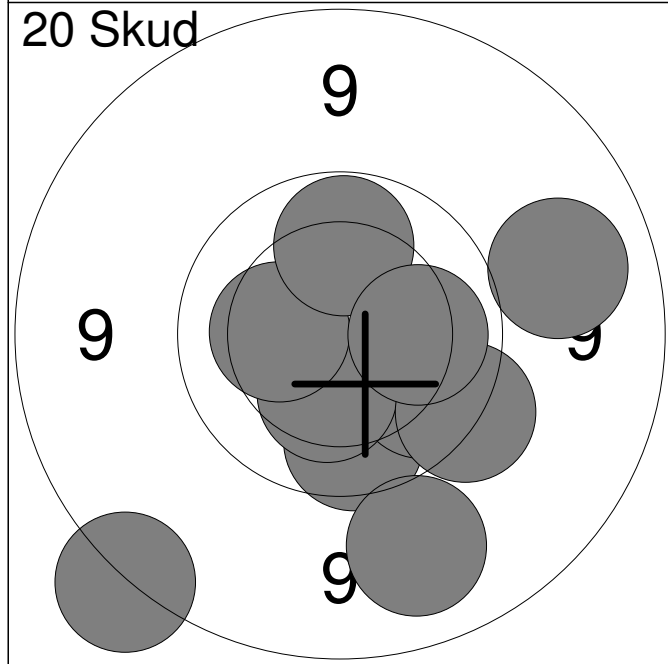
1:	10.9x	↗
2:	9.8	←
3:	9.6	←
4:	10.3	↓
5:	9.3	↗
6:	9.6	←
7:	9.9	↗
8:	9.9	←
9:	9.9	↗
10:	8.7	↓
Serie		91.0
Total		91.0



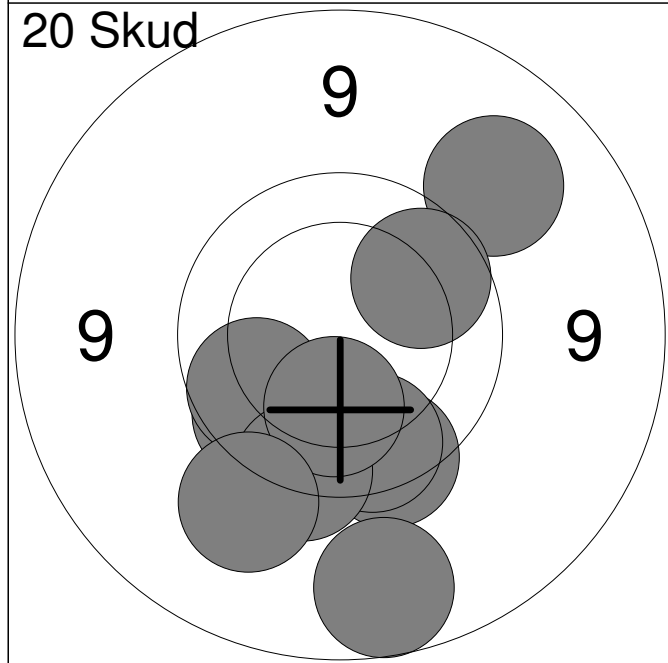
11:	9.7	↗
12:	9.3	→
13:	9.6	↓
14:	10.4	↗
15:	10.6x	↗
16:	9.7	↗
17:	9.8	↗
18:	9.0	←
19:	9.8	↓
20:	10.5x	↗
Serie		93.0
Total		184.0



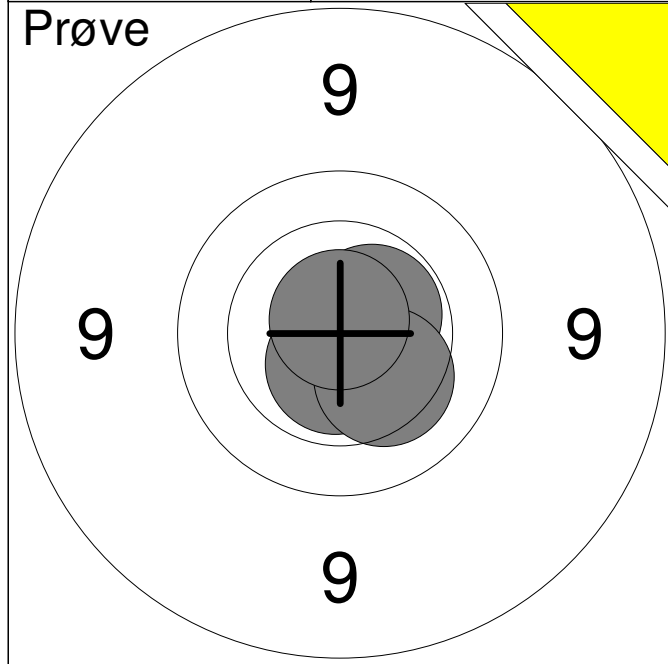
1:	9.1	↙
2:	8.9	↙
3:	9.9	↘
4:	9.7	↘
5:	9.0	↙
Serie		44.0
Total		0.0



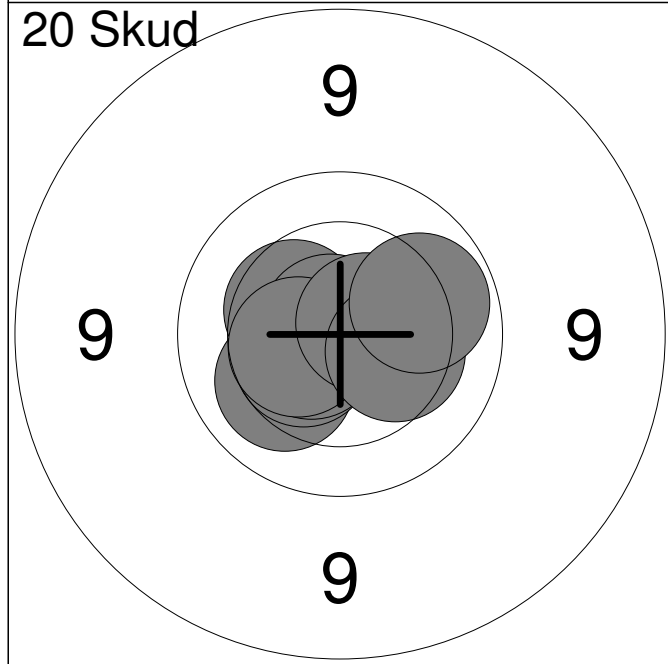
1:	9.9	↓
2:	8.7	↙
3:	9.1	↘
4:	9.9	↘
5:	10.3	↓
6:	9.1	→
7:	10.3	←
8:	9.6	↘
9:	10.0	↑
10:	10.1	→
Serie		93.0
Total		93.0



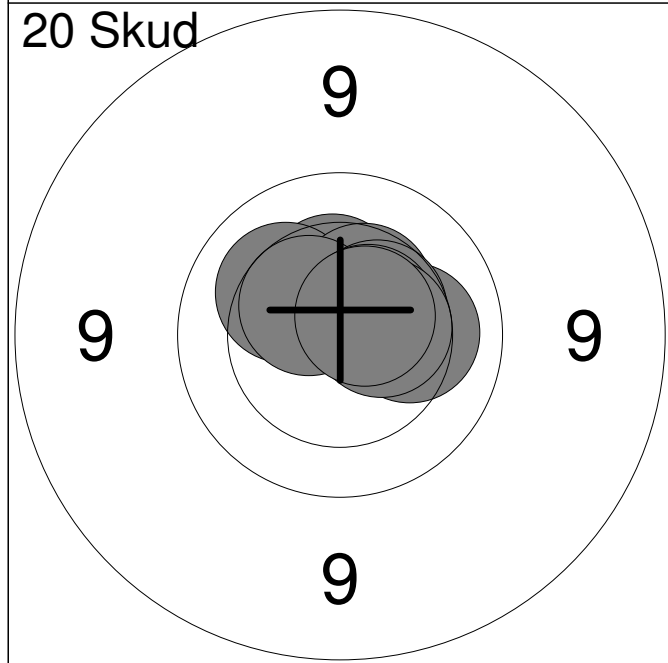
11:	9.7	↓
12:	9.2	↗
13:	9.8	↙
14:	9.9	↗
15:	9.9	↙
16:	9.8	↓
17:	9.6	↓
18:	8.9	↓
19:	10.2	↓
20:	9.3	↙
Serie		90.0
Total		183.0



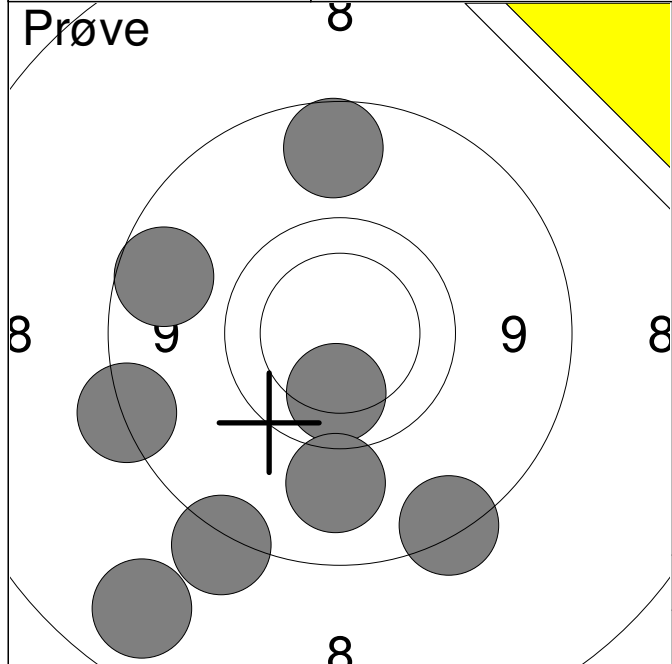
1:	10.6x	↘
2:	10.6x	↓
3:	10.6x	↗
4:	10.3	↘
5:	10.8x	↑
Serie		50.0
Total		0.0



1:	10.2	↙
2:	10.4	↖
3:	10.6x	→
4:	10.5	↙
5:	10.8x	↗
6:	10.6x	↙
7:	10.5	↙
8:	10.7x	↗
9:	10.3	→
10:	10.0	↗
Serie		100.0
Total		100.0

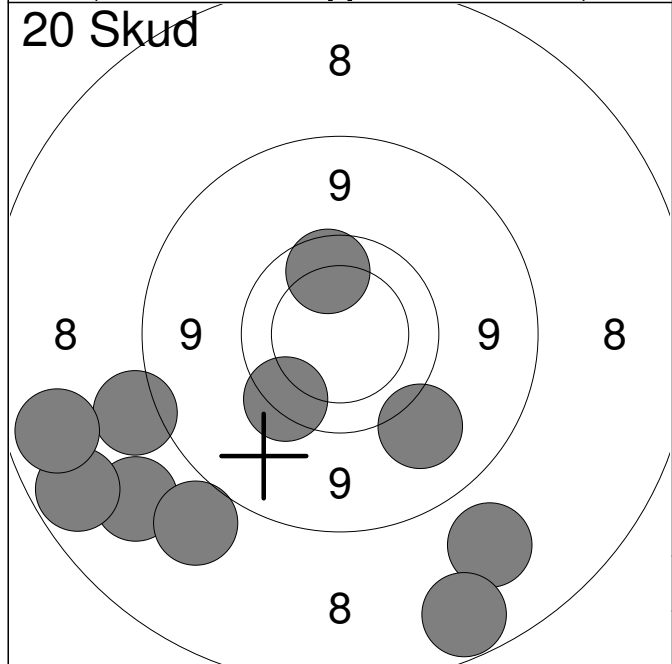


11:	10.4	↑
12:	10.2	↖
13:	10.2	→
14:	10.6x	↗
15:	10.4	↗
16:	10.5x	↖
17:	10.5	↗
18:	10.6x	↗
19:	10.5x	→
20:	10.6x	↗
Serie		100.0
Total		200.0



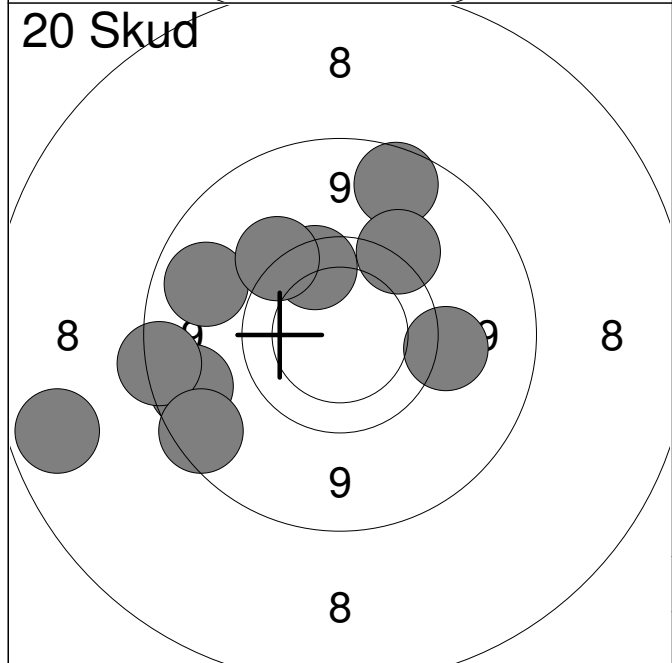
1:	8.6	↙
2:	10.0	↓
3:	8.7	←
4:	9.2	↓
5:	8.9	←
6:	8.1	↙
7:	8.9	↑
8:	8.7	↓

Serie	67.0
Total	0.0



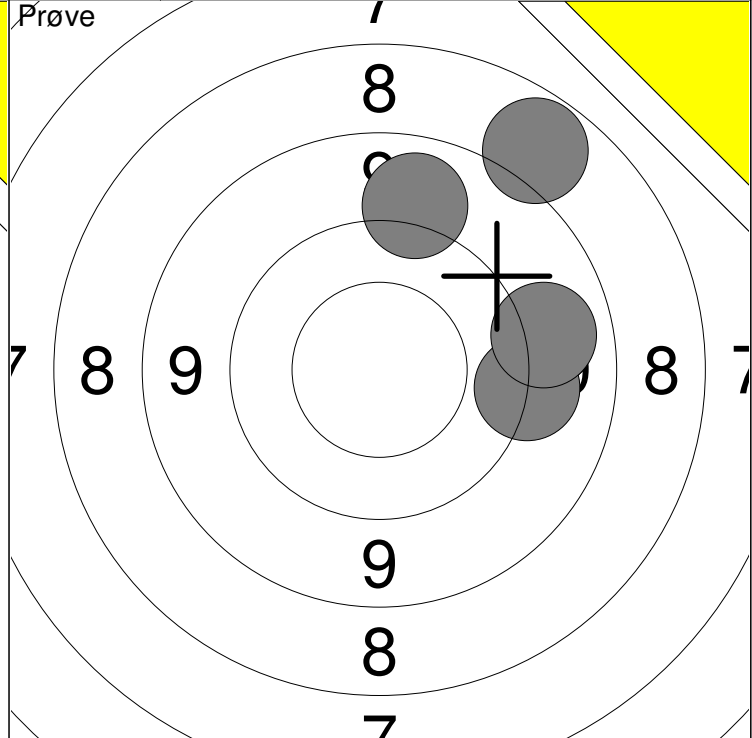
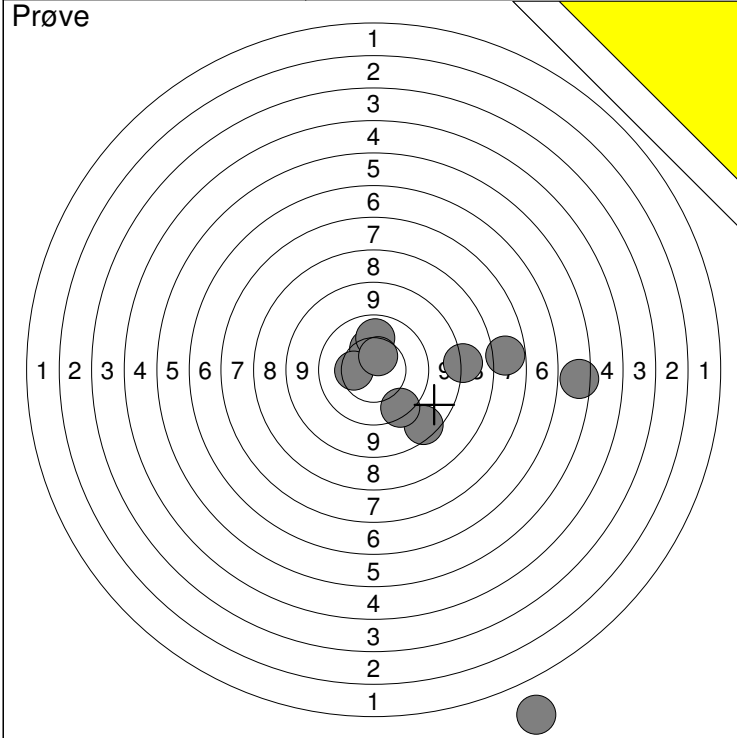
1:	8.2	↙
2:	8.5	←
3:	9.9	↑
4:	8.0	←
5:	8.3	↓
6:	8.4	↙
7:	8.0	←
8:	9.3	↓
9:	8.0	↓
10:	9.7	↙

Serie	83.0
Total	83.0



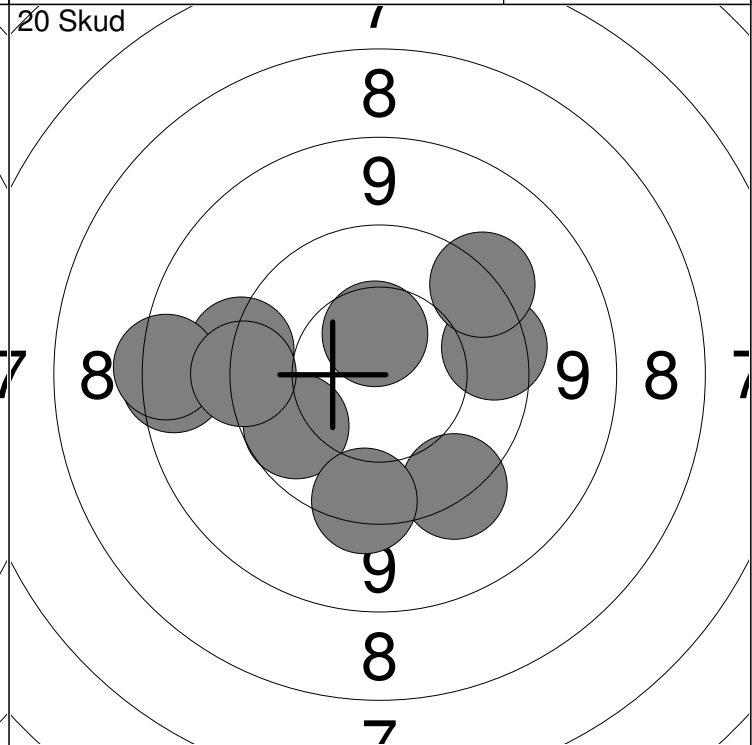
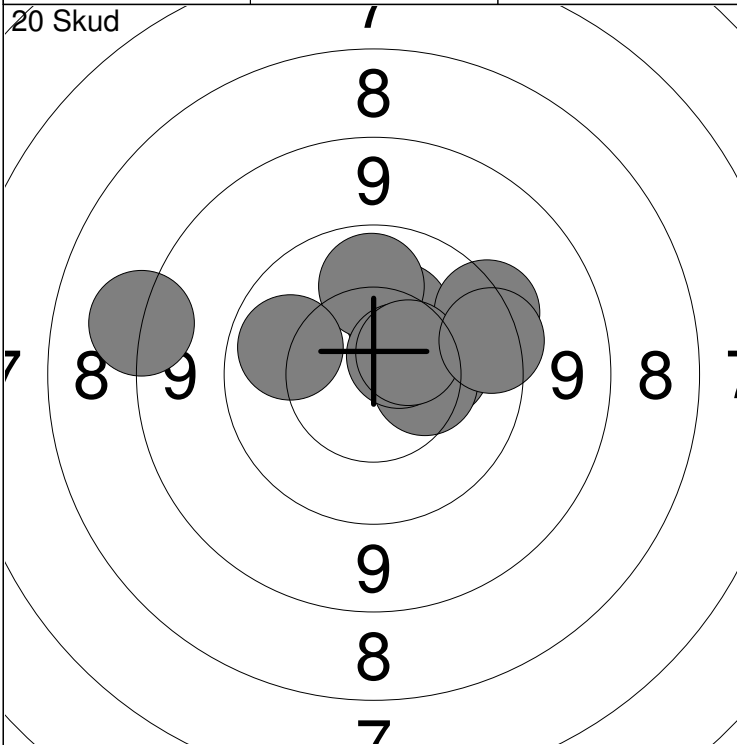
11:	9.8	↑
12:	8.9	←
13:	8.8	←
14:	9.4	→
15:	9.1	↙
16:	8.9	↙
17:	9.5	↗
18:	8.0	←
19:	8.9	↑
20:	9.5	↗

Serie	85.0
Total	168.0



1: 0.0 ↘	6: 8.8 ↘	Serie	76
2: 4.7 →	7: 10.1 ↑		
3: 10.3 ↑	8: 8.3 →	Total	0
4: 7.0 →	9: 9.6 ↘		
5: 10.4 ←	10: 10.5 ↑		

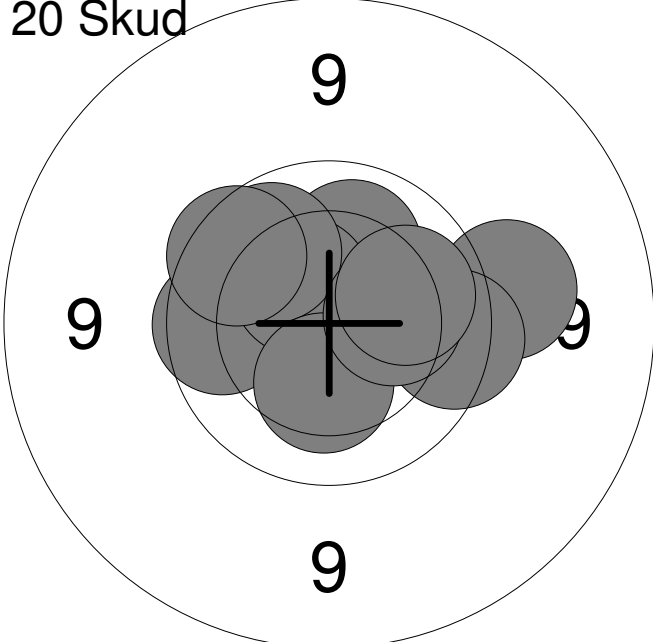
11: 9.4 →	Serie	35
12: 9.1 ↑		
13: 8.0 ↗	Total	0
14: 9.1 →		



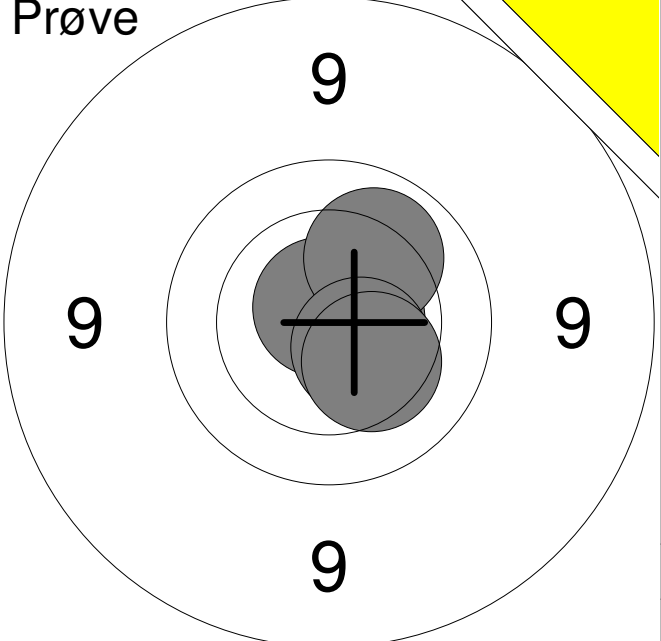
1: 10.3 →	6: 8.3 ←	Serie	96
2: 10.3 ↑	7: 9.6 →		
3: 10.0 ↑	8: 10.0 ←	Total	96
4: 10.4 →	9: 10.5 ↗		
5: 10.6x ↗	10: 9.7 →		

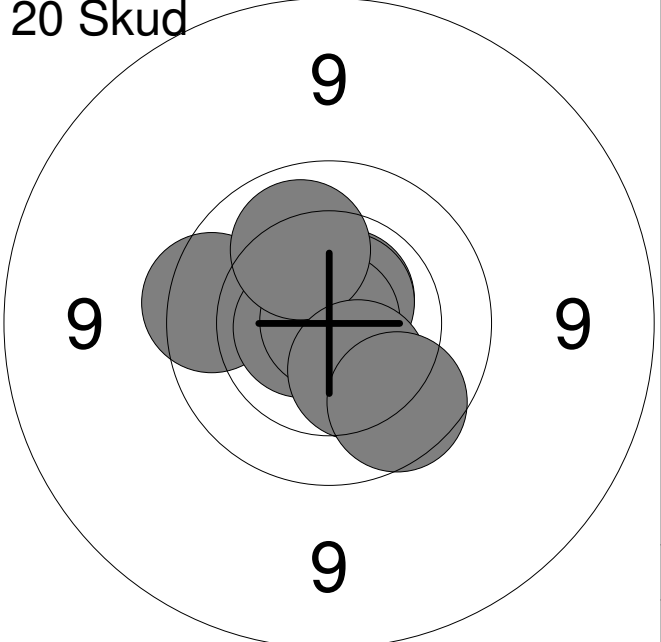
11: 8.7 ←	16: 8.6 ←	Serie	89
12: 9.7 →	17: 10.5 ↑		
13: 9.9 ←	18: 9.5 ↘	Total	185
14: 9.5 ←	19: 9.6 ↓		
15: 9.5 ↗	20: 9.5 ←		

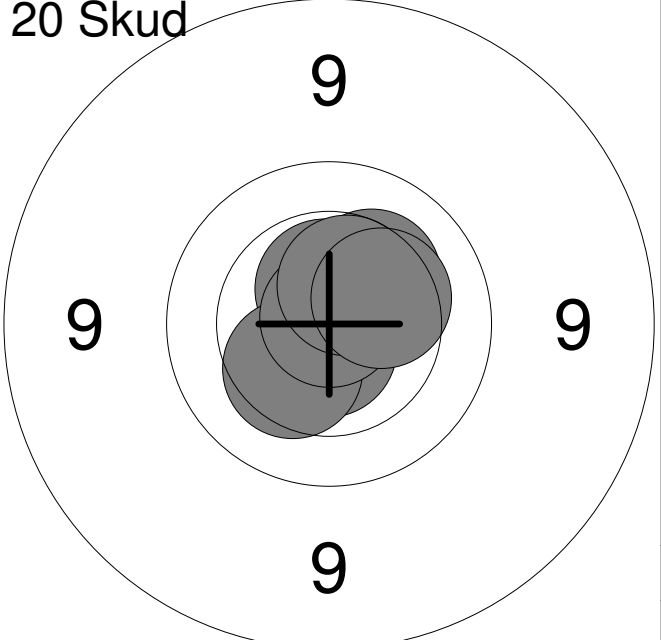
<p>Prøve</p> 	<table style="width:100%; border-collapse: collapse;"> <tr><td style="width:10%;">1:</td><td style="width:70%;">9.8</td><td style="width:20%; text-align: right;">→</td></tr> <tr><td>2:</td><td>10.3</td><td style="text-align: right;">↓</td></tr> <tr><td>3:</td><td>9.7</td><td style="text-align: right;">↗</td></tr> <tr><td>4:</td><td>10.4</td><td style="text-align: right;">↖</td></tr> <tr><td>5:</td><td>9.9</td><td style="text-align: right;">→</td></tr> <tr><td>6:</td><td>10.1</td><td style="text-align: right;">↑</td></tr> <tr><td>7:</td><td>9.0</td><td style="text-align: right;">↗</td></tr> <tr><td>8:</td><td>10.4</td><td style="text-align: right;">←</td></tr> <tr><td colspan="2">Serie</td><td style="text-align: right;">76.0</td></tr> <tr><td colspan="2">Total</td><td style="text-align: right;">0.0</td></tr> </table>	1:	9.8	→	2:	10.3	↓	3:	9.7	↗	4:	10.4	↖	5:	9.9	→	6:	10.1	↑	7:	9.0	↗	8:	10.4	←	Serie		76.0	Total		0.0
1:	9.8	→																													
2:	10.3	↓																													
3:	9.7	↗																													
4:	10.4	↖																													
5:	9.9	→																													
6:	10.1	↑																													
7:	9.0	↗																													
8:	10.4	←																													
Serie		76.0																													
Total		0.0																													

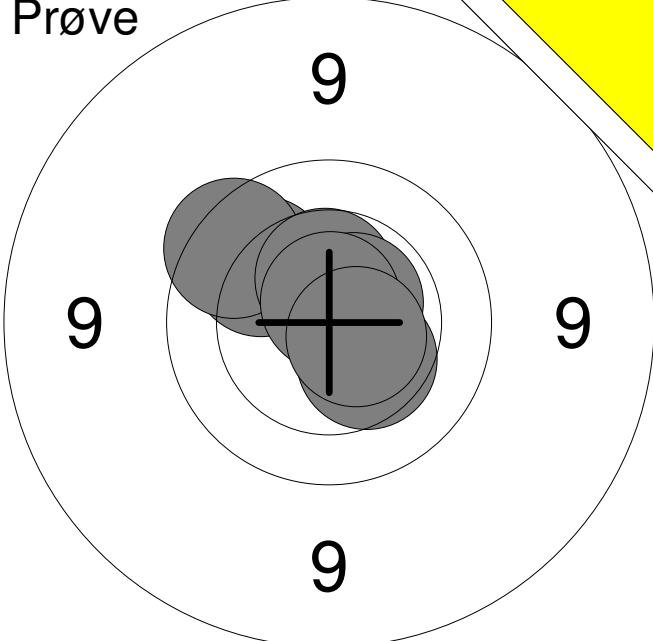
<p>20 Skud</p> 	<table style="width:100%; border-collapse: collapse;"> <tr><td style="width:10%;">1:</td><td style="width:70%;">9.4</td><td style="width:20%; text-align: right;">→</td></tr> <tr><td>2:</td><td>9.9</td><td style="text-align: right;">←</td></tr> <tr><td>3:</td><td>10.1</td><td style="text-align: right;">↗</td></tr> <tr><td>4:</td><td>10.5</td><td style="text-align: right;">↗</td></tr> <tr><td>5:</td><td>10.0</td><td style="text-align: right;">↗</td></tr> <tr><td>6:</td><td>9.7</td><td style="text-align: right;">→</td></tr> <tr><td>7:</td><td>10.3</td><td style="text-align: right;">↓</td></tr> <tr><td>8:</td><td>10.3</td><td style="text-align: right;">→</td></tr> <tr><td>9:</td><td>9.8</td><td style="text-align: right;">↗</td></tr> <tr><td>10:</td><td>10.1</td><td style="text-align: right;">→</td></tr> <tr><td colspan="2">Serie</td><td style="text-align: right;">96.0</td></tr> <tr><td colspan="2">Total</td><td style="text-align: right;">96.0</td></tr> </table>	1:	9.4	→	2:	9.9	←	3:	10.1	↗	4:	10.5	↗	5:	10.0	↗	6:	9.7	→	7:	10.3	↓	8:	10.3	→	9:	9.8	↗	10:	10.1	→	Serie		96.0	Total		96.0
1:	9.4	→																																			
2:	9.9	←																																			
3:	10.1	↗																																			
4:	10.5	↗																																			
5:	10.0	↗																																			
6:	9.7	→																																			
7:	10.3	↓																																			
8:	10.3	→																																			
9:	9.8	↗																																			
10:	10.1	→																																			
Serie		96.0																																			
Total		96.0																																			

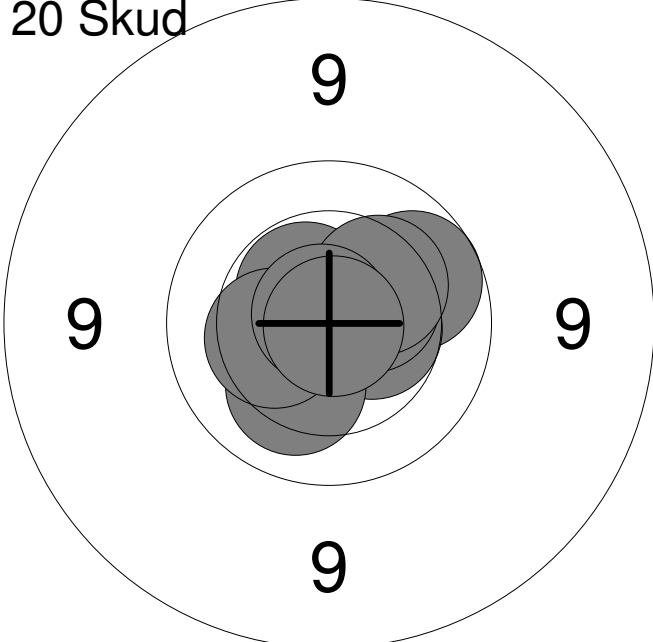
<p>20 Skud</p> 	<table style="width:100%; border-collapse: collapse;"> <tr><td style="width:10%;">11:</td><td style="width:70%;">9.5</td><td style="width:20%; text-align: right;">→</td></tr> <tr><td>12:</td><td>9.3</td><td style="text-align: right;">←</td></tr> <tr><td>13:</td><td>9.8</td><td style="text-align: right;">↗</td></tr> <tr><td>14:</td><td>10.6x</td><td style="text-align: right;">→</td></tr> <tr><td>15:</td><td>10.5</td><td style="text-align: right;">↓</td></tr> <tr><td>16:</td><td>9.7</td><td style="text-align: right;">←</td></tr> <tr><td>17:</td><td>10.7x</td><td style="text-align: right;">↓</td></tr> <tr><td>18:</td><td>10.2</td><td style="text-align: right;">↗</td></tr> <tr><td>19:</td><td>9.7</td><td style="text-align: right;">←</td></tr> <tr><td>20:</td><td>9.8</td><td style="text-align: right;">←</td></tr> <tr><td colspan="2">Serie</td><td style="text-align: right;">94.0</td></tr> <tr><td colspan="2">Total</td><td style="text-align: right;">190.0</td></tr> </table>	11:	9.5	→	12:	9.3	←	13:	9.8	↗	14:	10.6x	→	15:	10.5	↓	16:	9.7	←	17:	10.7x	↓	18:	10.2	↗	19:	9.7	←	20:	9.8	←	Serie		94.0	Total		190.0
11:	9.5	→																																			
12:	9.3	←																																			
13:	9.8	↗																																			
14:	10.6x	→																																			
15:	10.5	↓																																			
16:	9.7	←																																			
17:	10.7x	↓																																			
18:	10.2	↗																																			
19:	9.7	←																																			
20:	9.8	←																																			
Serie		94.0																																			
Total		190.0																																			

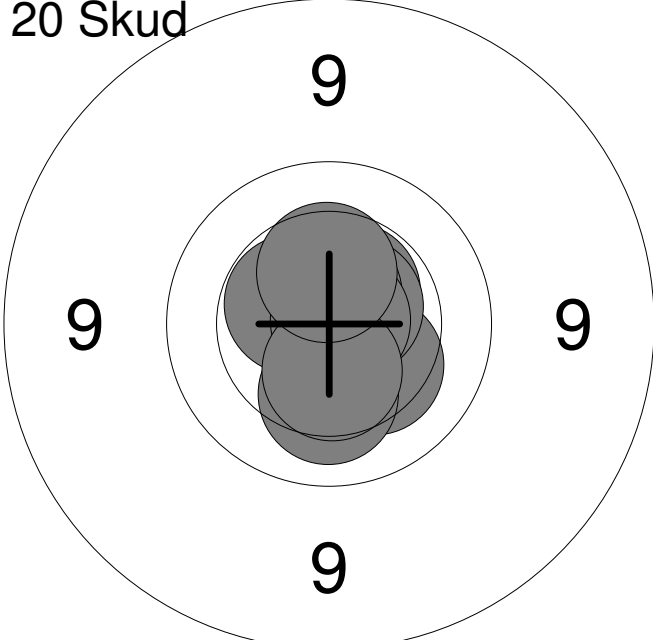
<p>Prøve</p> 	<table style="width:100%; border-collapse: collapse;"> <tr><td style="width:10%;">1:</td><td style="width:70%;">10.7x</td><td style="width:20%; text-align:right;">→</td></tr> <tr><td>2:</td><td>10.8x</td><td style="text-align:right;">↑</td></tr> <tr><td>3:</td><td>10.1</td><td style="text-align:right;">↗</td></tr> <tr><td>4:</td><td>10.5x</td><td style="text-align:right;">↘</td></tr> <tr><td>5:</td><td>10.3</td><td style="text-align:right;">↘</td></tr> </table>	1:	10.7x	→	2:	10.8x	↑	3:	10.1	↗	4:	10.5x	↘	5:	10.3	↘
1:	10.7x	→														
2:	10.8x	↑														
3:	10.1	↗														
4:	10.5x	↘														
5:	10.3	↘														
	<table style="width:100%; border-collapse: collapse;"> <tr> <td style="width:10%;"></td> <td style="width:70%; text-align:right;">Serie</td> <td style="width:20%; text-align:right;">50.0</td> </tr> <tr> <td></td> <td style="text-align:right;">Total</td> <td style="text-align:right;">0.0</td> </tr> </table>		Serie	50.0		Total	0.0									
	Serie	50.0														
	Total	0.0														

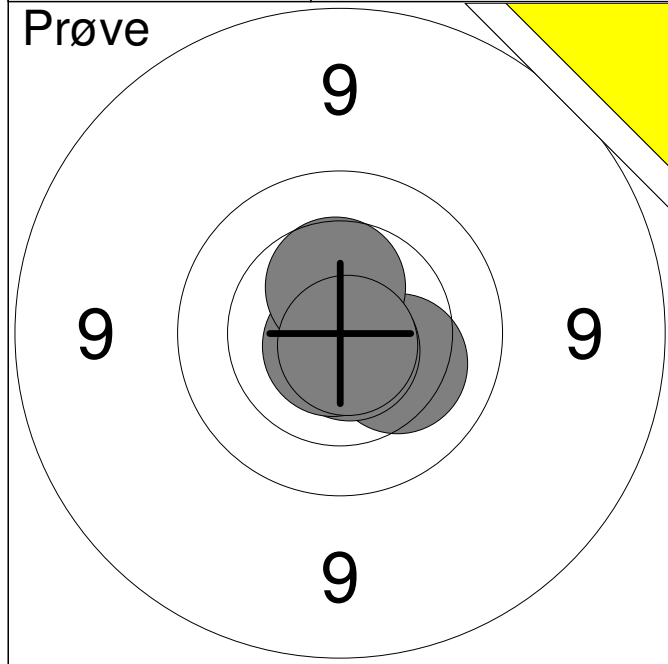
<p>20 Skud</p> 	<table style="width:100%; border-collapse: collapse;"> <tr><td style="width:10%;">1:</td><td style="width:70%;">10.7x</td><td style="width:20%; text-align:right;">↖</td></tr> <tr><td>2:</td><td>9.8</td><td style="text-align:right;">←</td></tr> <tr><td>3:</td><td>10.7x</td><td style="text-align:right;">↑</td></tr> <tr><td>4:</td><td>10.7x</td><td style="text-align:right;">←</td></tr> <tr><td>5:</td><td>10.6x</td><td style="text-align:right;">↗</td></tr> <tr><td>6:</td><td>10.7x</td><td style="text-align:right;">↗</td></tr> <tr><td>7:</td><td>10.9x</td><td style="text-align:right;">↗</td></tr> <tr><td>8:</td><td>10.1</td><td style="text-align:right;">↑</td></tr> <tr><td>9:</td><td>10.4</td><td style="text-align:right;">↘</td></tr> <tr><td>10:</td><td>9.9</td><td style="text-align:right;">↘</td></tr> </table>	1:	10.7x	↖	2:	9.8	←	3:	10.7x	↑	4:	10.7x	←	5:	10.6x	↗	6:	10.7x	↗	7:	10.9x	↗	8:	10.1	↑	9:	10.4	↘	10:	9.9	↘
1:	10.7x	↖																													
2:	9.8	←																													
3:	10.7x	↑																													
4:	10.7x	←																													
5:	10.6x	↗																													
6:	10.7x	↗																													
7:	10.9x	↗																													
8:	10.1	↑																													
9:	10.4	↘																													
10:	9.9	↘																													
	<table style="width:100%; border-collapse: collapse;"> <tr> <td style="width:10%;"></td> <td style="width:70%; text-align:right;">Serie</td> <td style="width:20%; text-align:right;">98.0</td> </tr> <tr> <td></td> <td style="text-align:right;">Total</td> <td style="text-align:right;">98.0</td> </tr> </table>		Serie	98.0		Total	98.0																								
	Serie	98.0																													
	Total	98.0																													

<p>20 Skud</p> 	<table style="width:100%; border-collapse: collapse;"> <tr><td style="width:10%;">11:</td><td style="width:70%;">10.6x</td><td style="width:20%; text-align:right;">↑</td></tr> <tr><td>12:</td><td>10.6x</td><td style="text-align:right;">↗</td></tr> <tr><td>13:</td><td>10.9x</td><td style="text-align:right;">→</td></tr> <tr><td>14:</td><td>10.7x</td><td style="text-align:right;">↓</td></tr> <tr><td>15:</td><td>10.3</td><td style="text-align:right;">↙</td></tr> <tr><td>16:</td><td>10.3</td><td style="text-align:right;">↗</td></tr> <tr><td>17:</td><td>10.6x</td><td style="text-align:right;">↗</td></tr> <tr><td>18:</td><td>10.9x</td><td style="text-align:right;">↑</td></tr> <tr><td>19:</td><td>10.5x</td><td style="text-align:right;">↗</td></tr> <tr><td>20:</td><td>10.3</td><td style="text-align:right;">↗</td></tr> </table>	11:	10.6x	↑	12:	10.6x	↗	13:	10.9x	→	14:	10.7x	↓	15:	10.3	↙	16:	10.3	↗	17:	10.6x	↗	18:	10.9x	↑	19:	10.5x	↗	20:	10.3	↗
11:	10.6x	↑																													
12:	10.6x	↗																													
13:	10.9x	→																													
14:	10.7x	↓																													
15:	10.3	↙																													
16:	10.3	↗																													
17:	10.6x	↗																													
18:	10.9x	↑																													
19:	10.5x	↗																													
20:	10.3	↗																													
	<table style="width:100%; border-collapse: collapse;"> <tr> <td style="width:10%;"></td> <td style="width:70%; text-align:right;">Serie</td> <td style="width:20%; text-align:right;">100.0</td> </tr> <tr> <td></td> <td style="text-align:right;">Total</td> <td style="text-align:right;">198.0</td> </tr> </table>		Serie	100.0		Total	198.0																								
	Serie	100.0																													
	Total	198.0																													

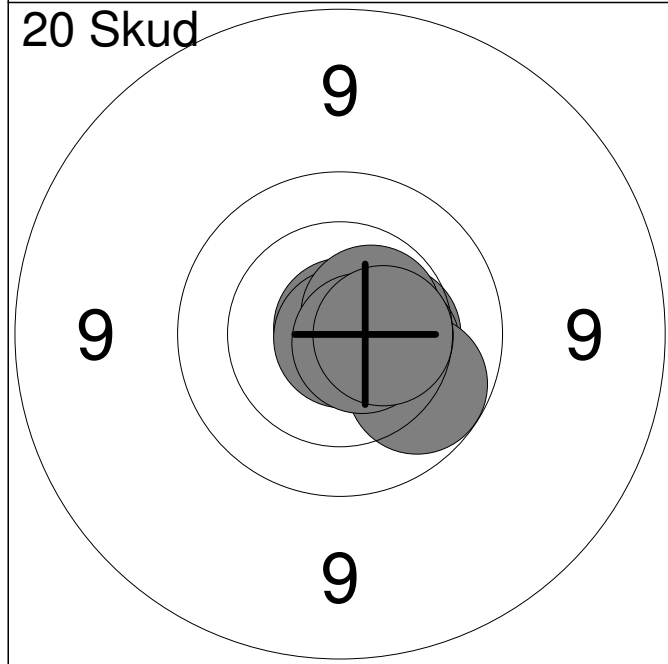
Prøve 	1: 10.0 ↗
	2: 9.8 ↗
	3: 10.5 ↑
	4: 10.6x ↗
	5: 10.4 ↘
	6: 10.7x ↑
	7: 10.6x ↘
Serie	69.0
Total	0.0

20 Skud 	1: 9.9 ↗
	2: 10.5 →
	3: 10.6x ↗
	4: 10.2 ↘
	5: 10.5x ↗
	6: 10.5 ↗
	7: 10.3 ↗
	8: 10.3 ←
	9: 10.8x ↗
	10: 10.9x ↘
Serie	99.0
Total	99.0

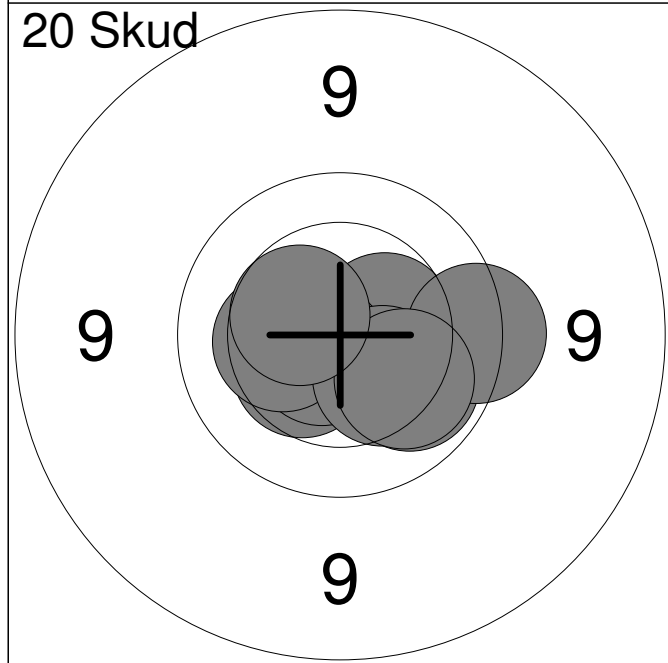
20 Skud 	11: 10.3 ↘
	12: 10.4 ↑
	13: 10.5x ↗
	14: 10.2 ↓
	15: 10.6x ↗
	16: 10.6x ↑
	17: 10.5x ↗
	18: 10.8x →
	19: 10.4 ↓
	20: 10.4 ↑
Serie	100.0
Total	199.0



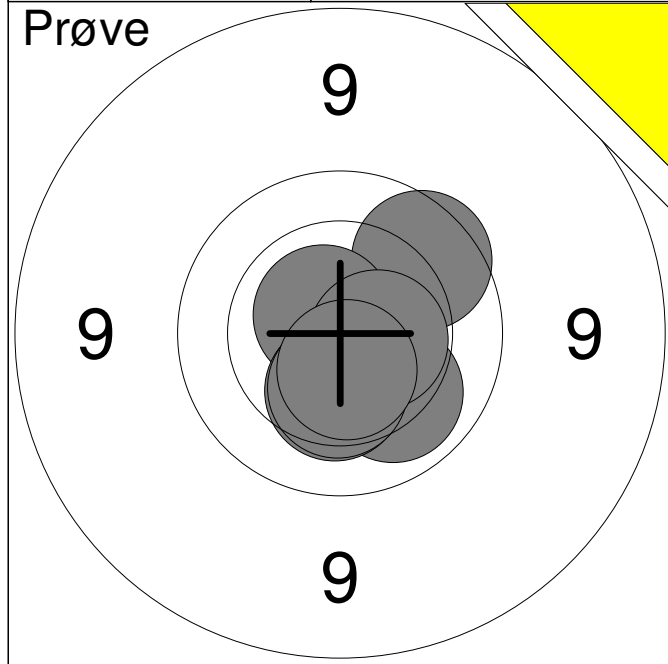
	1:	10.3	↘
	2:	10.7x	↘
	3:	10.8x	↙
	4:	10.5	↑
	5:	10.8x	↘
Serie			50.0
Total			0.0



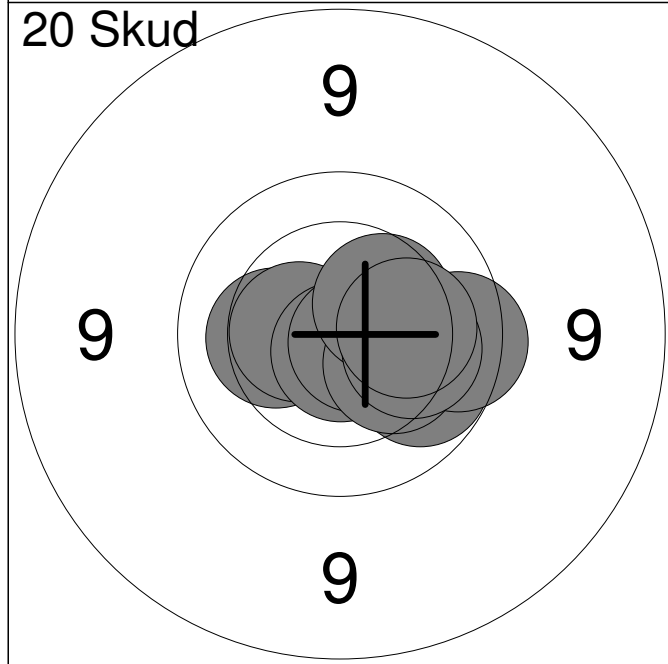
	1:	10.9x	↗
	2:	10.4	→
	3:	10.4	→
	4:	10.9x	↘
	5:	10.6x	↗
	6:	10.5	→
	7:	10.6x	→
	8:	10.0	↘
	9:	10.7x	→
	10:	10.5	→
Serie			100.0
Total			100.0



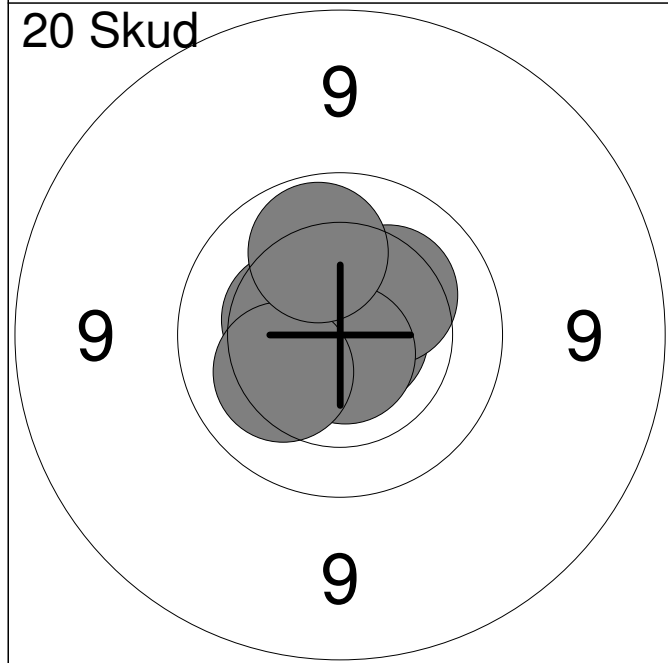
	11:	10.1	↘
	12:	10.4	↙
	13:	10.4	→
	14:	10.7x	↙
	15:	9.7	→
	16:	10.7x	↙
	17:	10.3	←
	18:	10.3	↘
	19:	10.1	↘
	20:	10.5	↗
Serie			99.0
Total			199.0



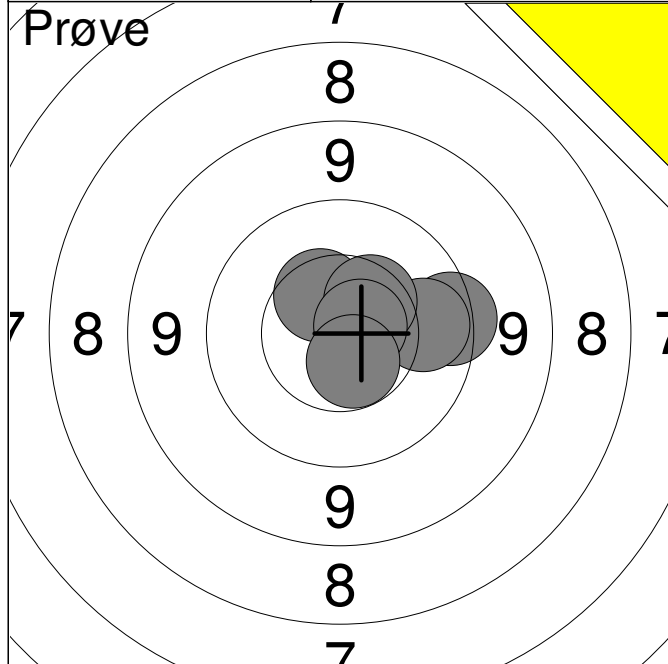
1:	9.8	↗
2:	10.7x	↗
3:	10.1	↘
4:	10.3	↘
5:	10.5x	→
6:	10.4	↘
7:	10.6x	↘
Serie		69.0
Total		0.0



1:	10.0	↘
2:	10.3	←
3:	10.5x	←
4:	10.8x	↘
5:	9.8	→
6:	10.7x	↘
7:	10.3	↘
8:	10.4	↗
9:	10.2	→
10:	10.2	→
Serie		99.0
Total		99.0

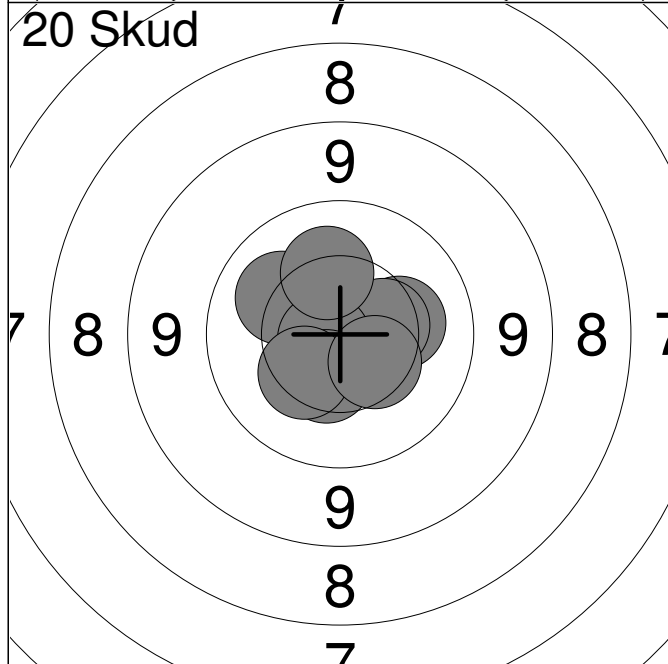


11:	10.6x	↑
12:	10.7x	↗
13:	10.6x	↑
14:	10.4	←
15:	10.8x	→
16:	10.5	↑
17:	10.3	↗
18:	10.7x	↘
19:	10.2	↖
20:	10.0	↑
Serie		100.0
Total		199.0



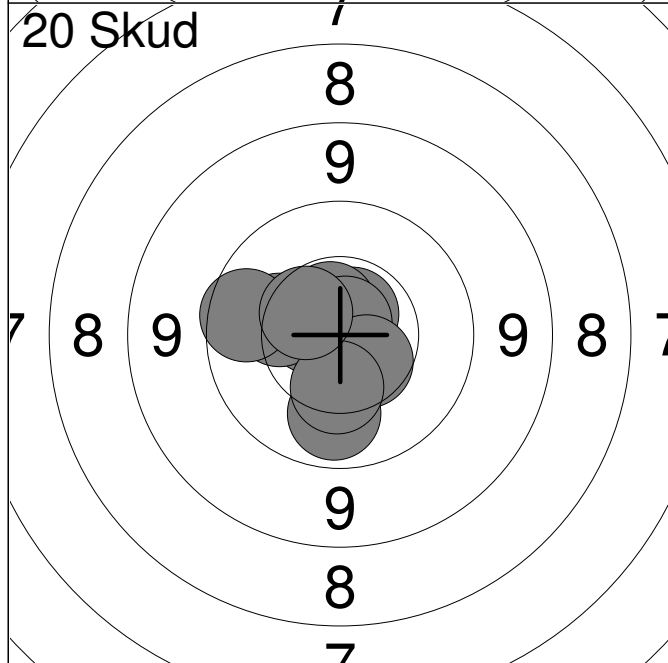
1:	9.6	→
2:	10.0	→
3:	10.5	↑
4:	10.4	↗
5:	10.7x	→
6:	10.6x	↓

Serie	59.0
Total	0.0



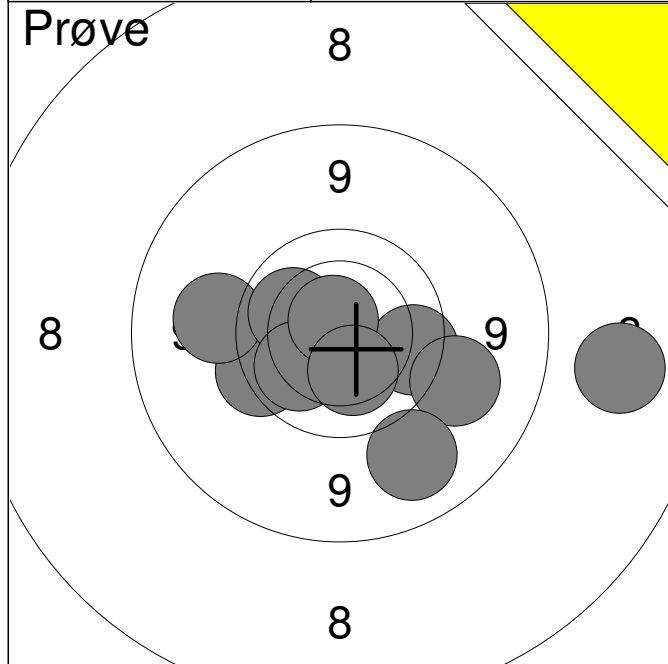
1:	10.2	↗
2:	10.5	↓
3:	10.6x	↓
4:	10.3	→
5:	10.4	→
6:	10.8x	←
7:	10.4	↓
8:	10.3	↙
9:	10.4	↓
10:	10.2	↑

Serie	100.0
Total	100.0



11:	10.7x	↗
12:	10.6x	↑
13:	10.6x	←
14:	10.8x	↗
15:	10.0	↓
16:	10.2	←
17:	10.5	↘
18:	10.3	↓
19:	9.8	←
20:	10.5	↗

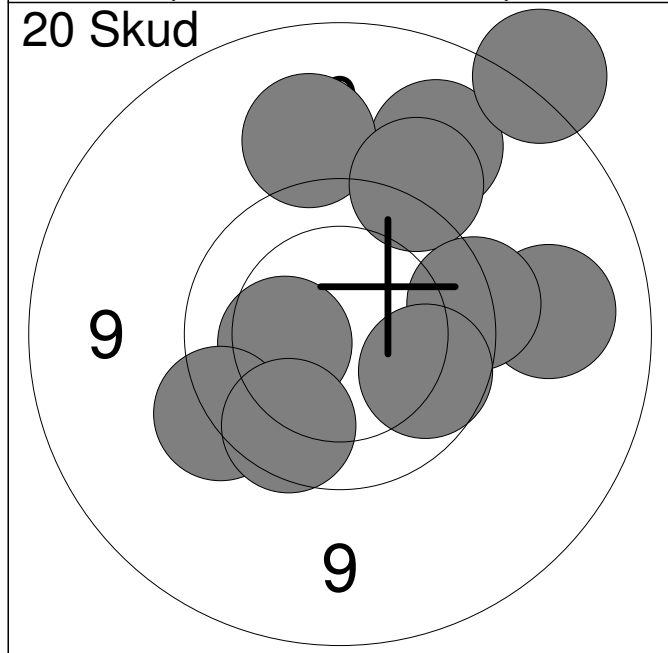
Serie	99.0
Total	199.0



1:	9.8	→
2:	9.7	←
3:	9.3	←
4:	8.2	→
5:	10.1	↗
6:	9.3	↘
7:	9.2	↘
8:	10.1	←
9:	10.7x	↗
10:	10.3	↘

Serie	93.0
-------	------

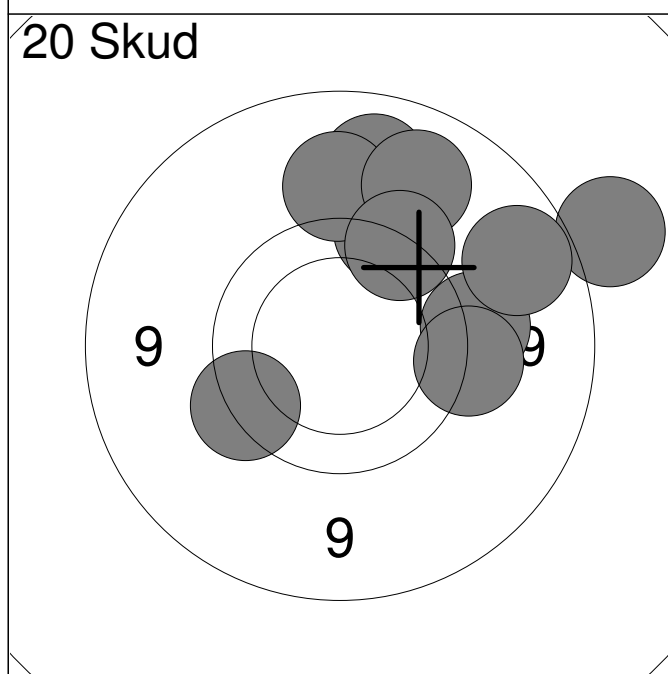
Total	0.0
-------	-----



1:	10.3	←
2:	9.2	↗
3:	9.6	←
4:	9.8	↘
5:	8.6	↗
6:	9.3	↑
7:	9.2	→
8:	9.4	↗
9:	9.6	→
10:	9.9	↘

Serie	90.0
-------	------

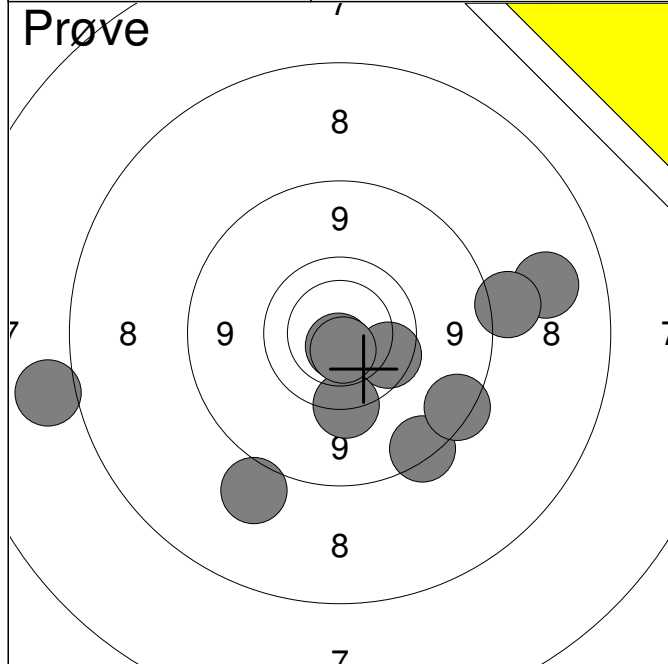
Total	90.0
-------	------



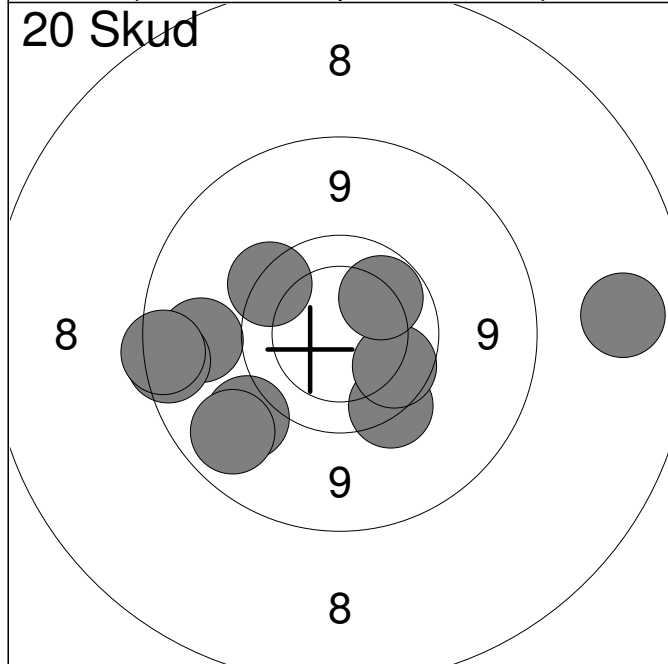
11:	9.6	←
12:	9.4	→
13:	9.5	↗
14:	9.1	↗
15:	9.3	↑
16:	8.5	↗
17:	9.5	→
18:	9.1	↗
19:	9.0	↗
20:	9.6	↗

Serie	89.0
-------	------

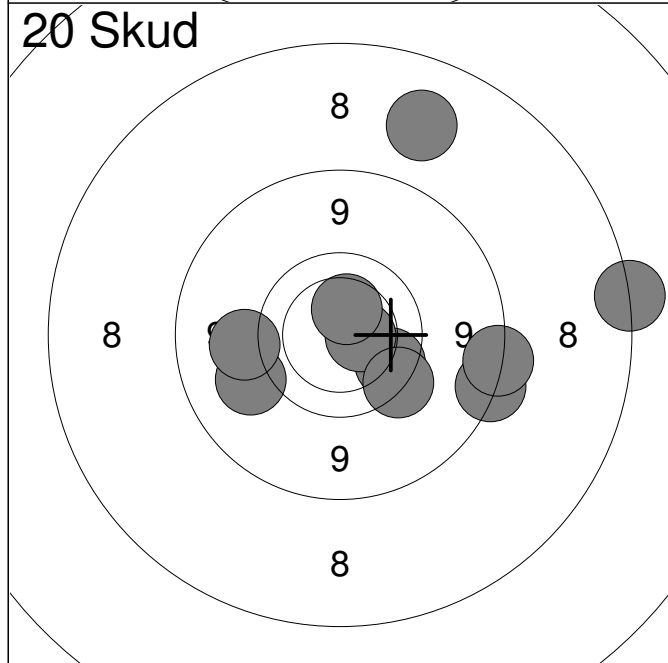
Total	179.0
-------	-------



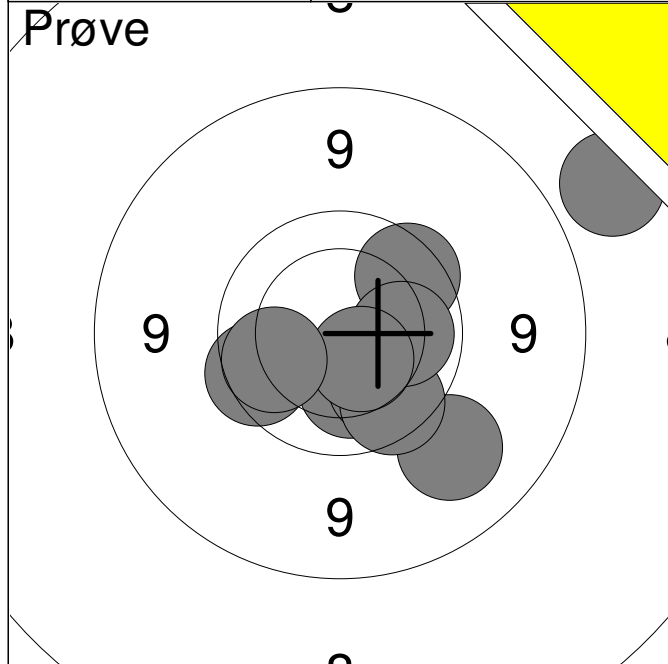
1:	8.2	→
2:	8.5	→
3:	8.8	↘
4:	10.6x	↘
5:	8.4	↘
6:	9.8	→
7:	8.8	↘
8:	7.4	←
9:	9.6	↘
10:	10.6x	↘
Serie		85.0
Total		0.0



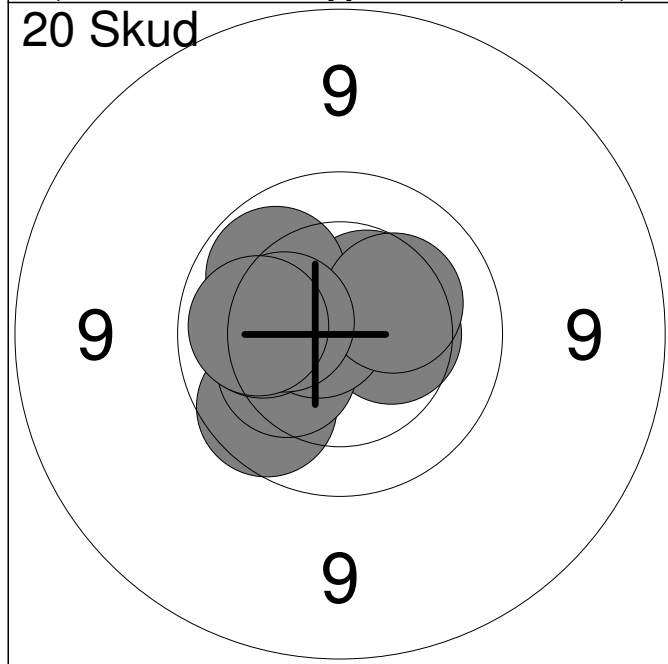
1:	9.3	↙
2:	9.6	↘
3:	9.1	←
4:	8.8	←
5:	9.9	↘
6:	9.6	↗
7:	10.0	↗
8:	9.0	↙
9:	8.8	←
10:	8.1	→
Serie		88.0
Total		88.0



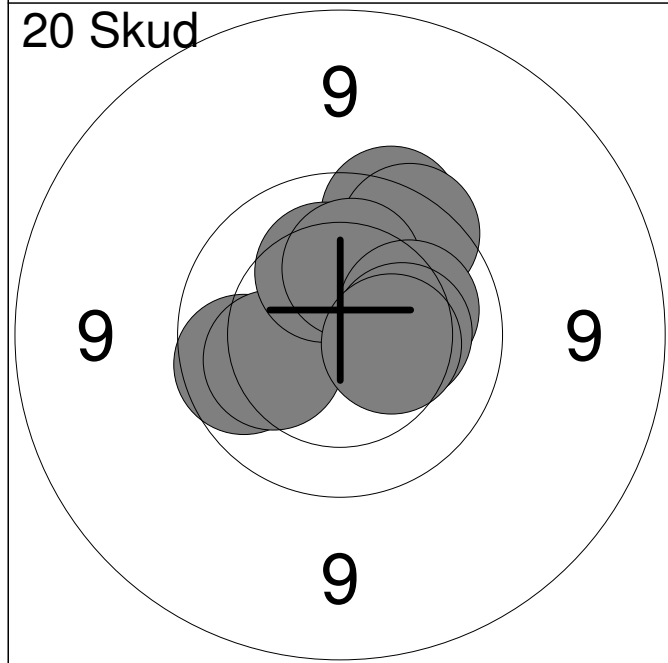
11:	8.7	→
12:	8.7	→
13:	8.2	↑
14:	7.7	→
15:	9.8	↘
16:	10.5x	→
17:	10.4	↑
18:	9.6	↘
19:	9.3	↙
20:	9.4	←
Serie		87.0
Total		175.0



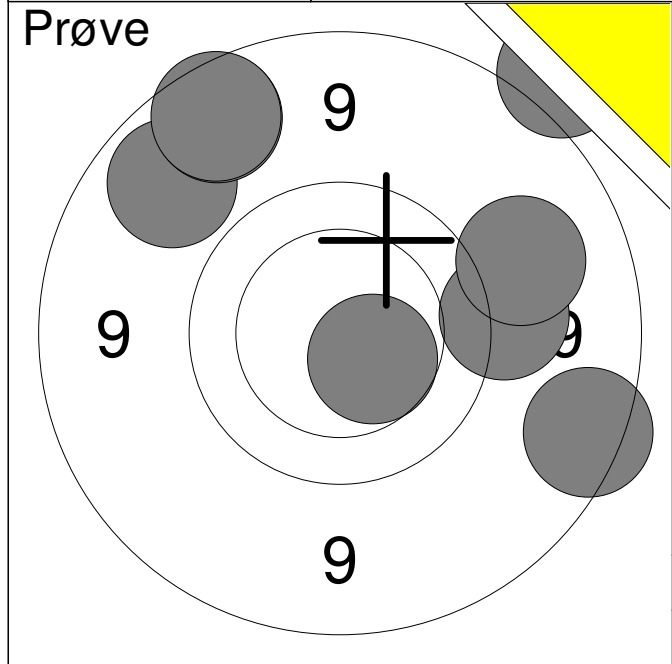
1:	10.2	↓
2:	9.2	↓
3:	10.0	↓
4:	9.8	↓
5:	9.8	↗
6:	9.8	↖
7:	8.3	↗
8:	10.1	→
9:	10.5	↓
10:	9.9	↖
Serie		93.0
Total		0.0



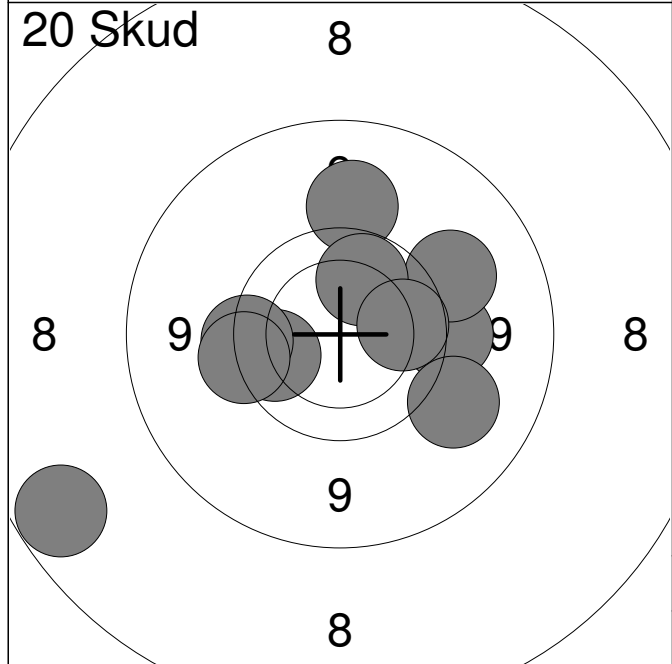
1:	10.4	→
2:	10.5	↗
3:	9.9	↖
4:	10.3	↖
5:	10.7x	↖
6:	10.0	↗
7:	10.3	↗
8:	10.1	↖
9:	10.3	↖
10:	10.1	↖
Serie		99.0
Total		99.0



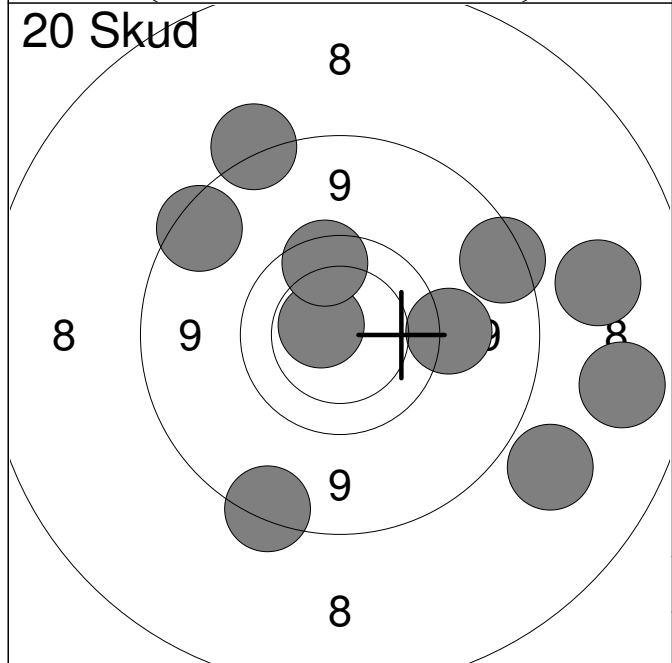
11:	9.7	↗
12:	9.9	↖
13:	9.8	↗
14:	10.3	↑
15:	10.2	↖
16:	10.3	↑
17:	10.2	↑
18:	10.2	→
19:	10.3	→
20:	10.4	→
Serie		97.0
Total		196.0



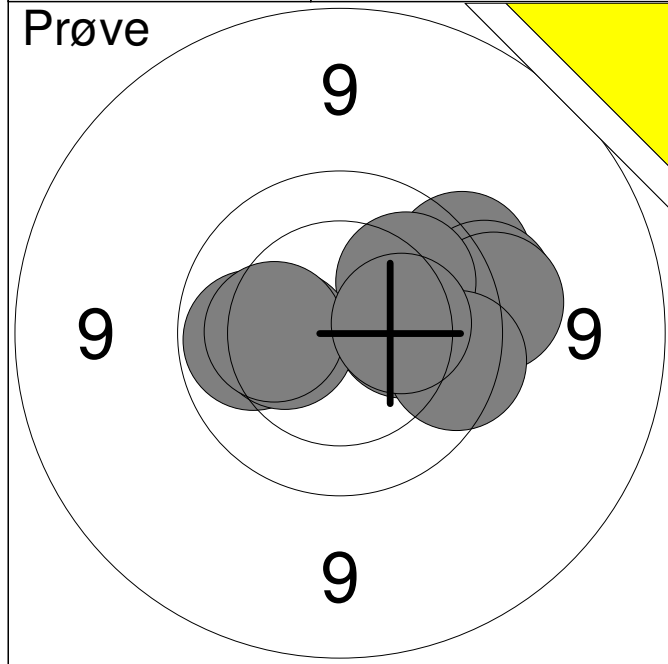
1:	9.4	→
2:	9.2	→
3:	8.5	↗
4:	8.8	↘
5:	9.0	↗
6:	8.9	↗
7:	8.9	↗
8:	10.5	↘
Serie		69.0
Total		0.0



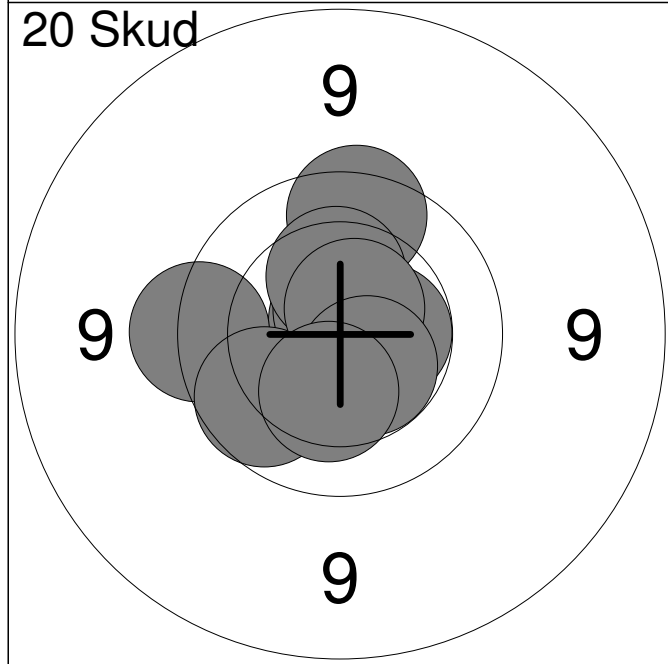
1:	9.3	↑
2:	9.9	←
3:	9.5	→
4:	9.4	↗
5:	10.0	↑
6:	9.9	→
7:	8.0	↙
8:	9.6	←
9:	9.3	↘
10:	9.6	←
Serie		90.0
Total		90.0



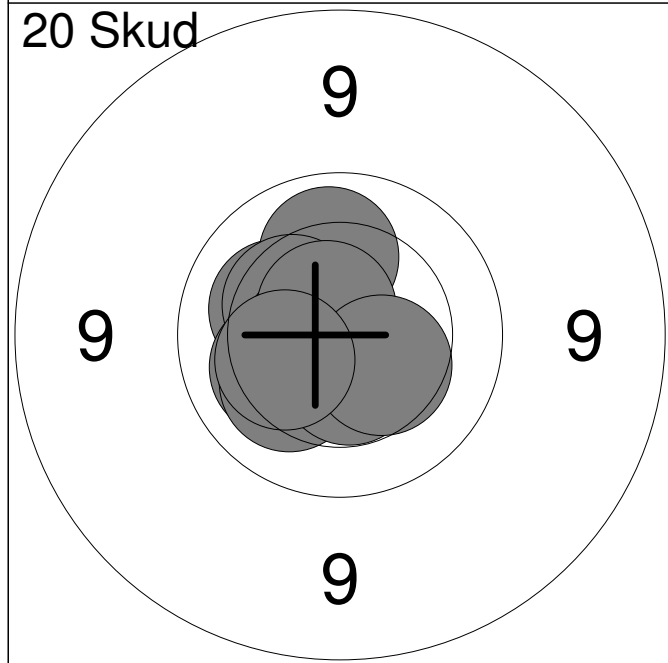
11:	8.3	→
12:	8.1	→
13:	8.6	↗
14:	9.4	→
15:	8.4	↘
16:	8.8	↗
17:	8.8	↗
18:	10.6x	↗
19:	8.7	↘
20:	9.8	↑
Serie		84.0
Total		174.0



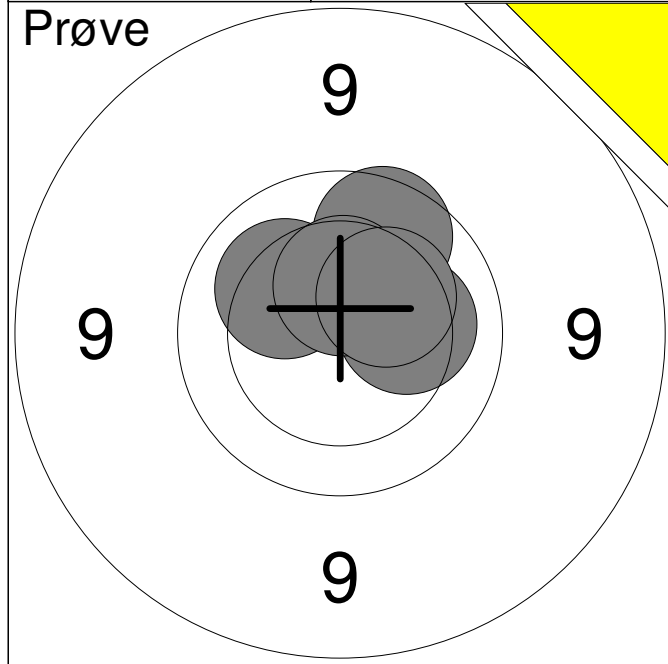
1:	9.7	↗
2:	9.6	→
3:	9.6	→
4:	10.0	↗
5:	10.3	→
6:	9.8	→
7:	10.0	←
8:	10.4	←
9:	10.2	←
10:	10.3	→
Serie		96.0
Total		0.0



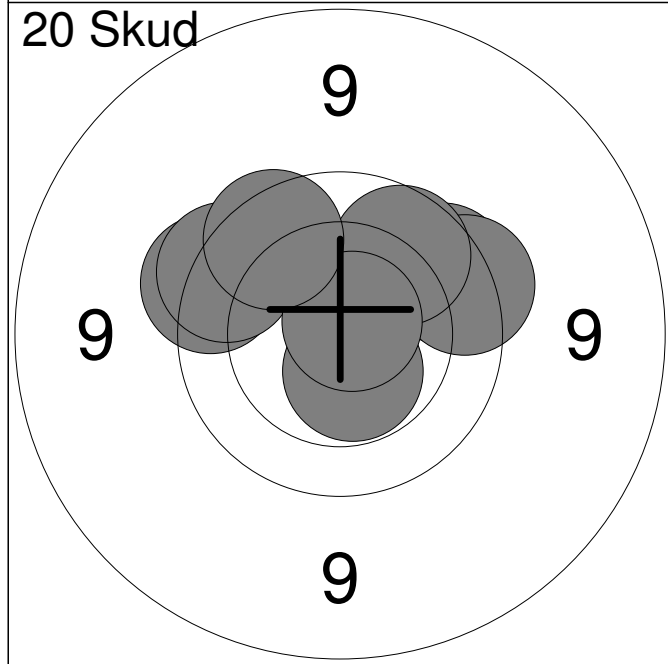
1:	9.8	↑
2:	10.8x	↑
3:	10.7x	↑
4:	10.3	↑
5:	9.7	←
6:	10.5x	→
7:	9.9	↙
8:	10.6x	↗
9:	10.5x	↘
10:	10.3	↘
Serie		97.0
Total		97.0



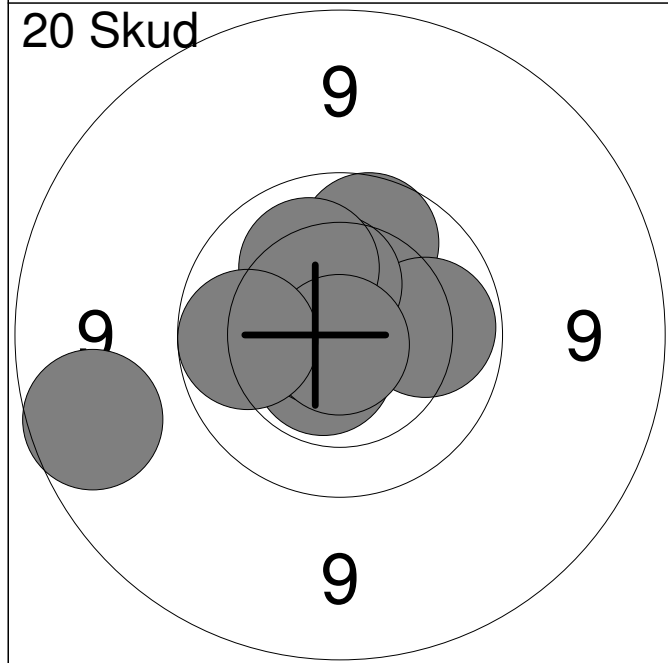
11:	10.2	↙
12:	10.2	↙
13:	10.1	↑
14:	10.3	↗
15:	10.2	↙
16:	10.5x	↘
17:	10.6x	←
18:	10.7x	↗
19:	10.4	↘
20:	10.3	↙
Serie		100.0
Total		197.0



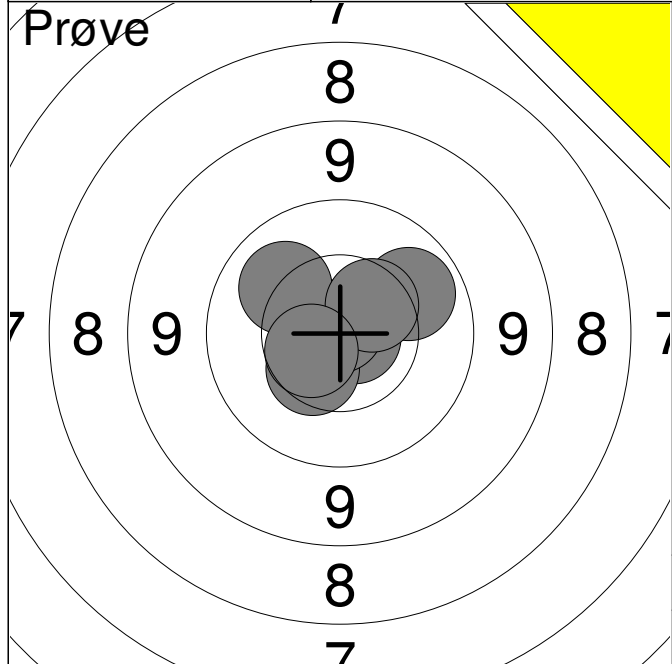
1:	9.9	↗
2:	10.2	↖
3:	10.2	→
4:	10.4	↑
5:	10.3	↗
Serie		49.0
Total		0.0



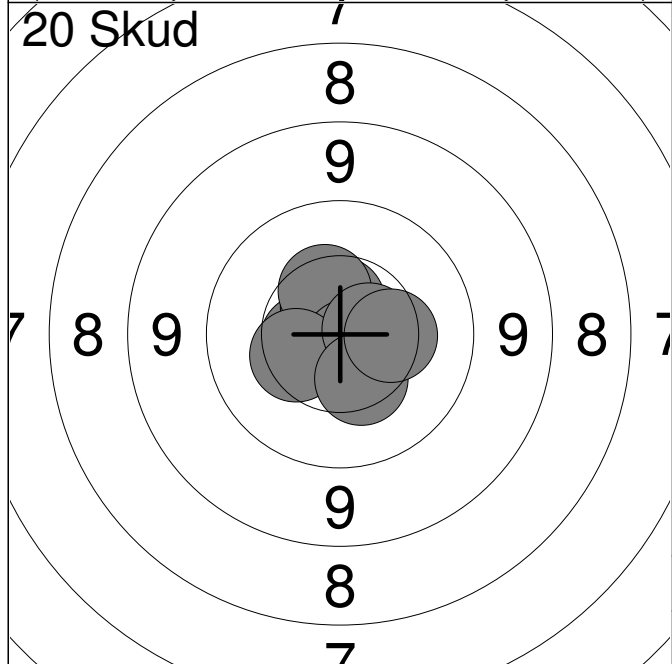
1:	9.9	↗
2:	9.7	↖
3:	9.7	↖
4:	10.4	↗
5:	10.5x	↓
6:	9.8	↗
7:	9.7	→
8:	9.9	↗
9:	10.8x	↗
10:	9.8	↖
Serie		93.0
Total		93.0



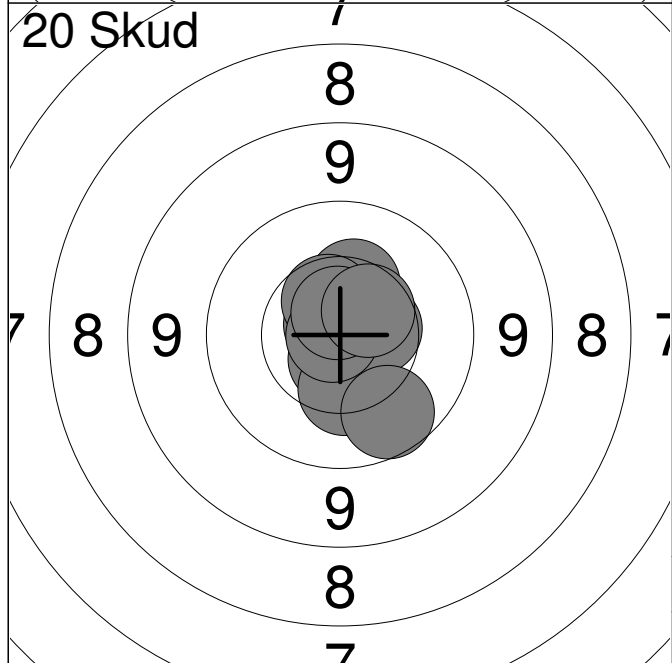
11:	9.9	↑
12:	10.4	↖
13:	10.0	→
14:	10.4	↑
15:	10.6x	↘
16:	10.8x	←
17:	10.1	↗
18:	10.8x	↓
19:	8.9	↖
20:	10.0	←
Serie		97.0
Total		190.0



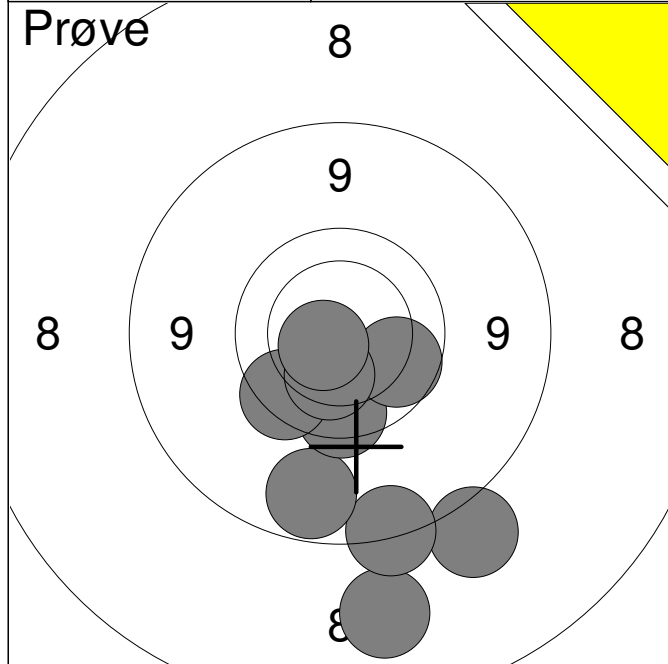
1:	10.0	↗
2:	10.8x	→
3:	10.4	↙
4:	10.9x	↑
5:	10.1	↗
6:	10.5	↗
7:	10.6	↙
Serie		70.0
Total		0.0



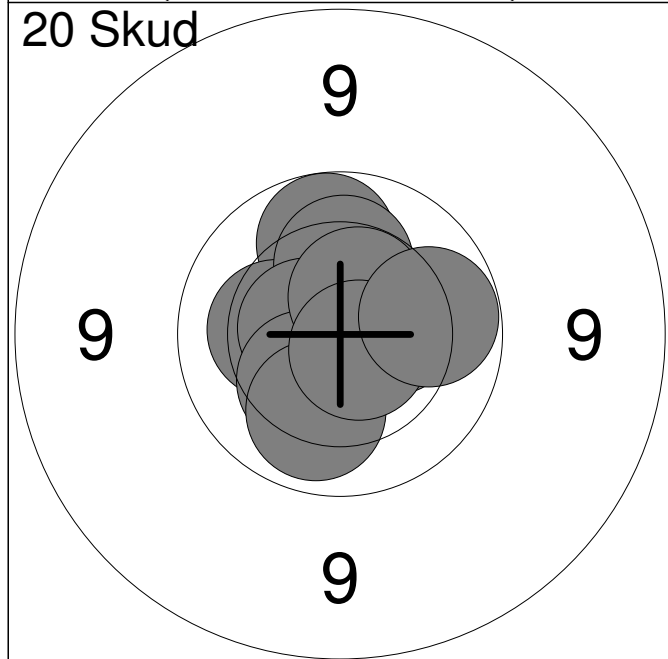
1:	10.6x	↑
2:	10.6	←
3:	10.6x	↑
4:	10.7x	→
5:	10.4	↑
6:	10.8x	↙
7:	10.4	↙
8:	10.6x	→
9:	10.4	↙
10:	10.4	→
Serie		100.0
Total		100.0



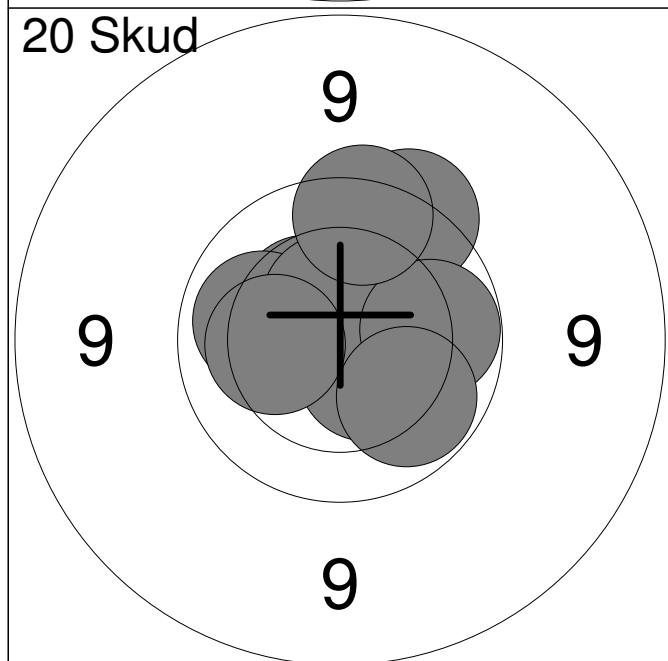
11:	10.7x	↙
12:	10.8x	↗
13:	10.3	↙
14:	10.4	↑
15:	10.5	→
16:	10.5	↑
17:	10.9x	←
18:	10.7x	↑
19:	9.9	↙
20:	10.5	↗
Serie		99.0
Total		199.0



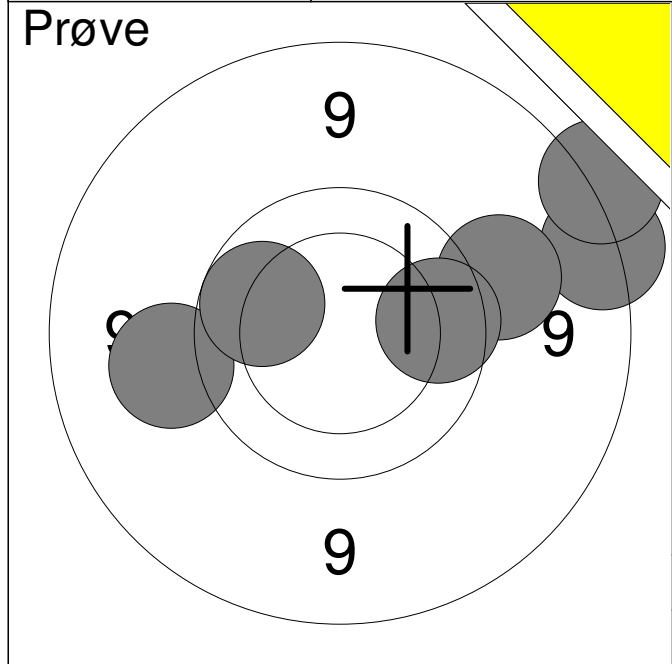
1:	8.5	↘
2:	8.2	↘
3:	8.7	↘
4:	9.0	↘
5:	9.8	↘
6:	9.7	↙
7:	9.9	→
8:	10.2	↘
9:	10.6x	↙
Serie		80.0
Total		0.0



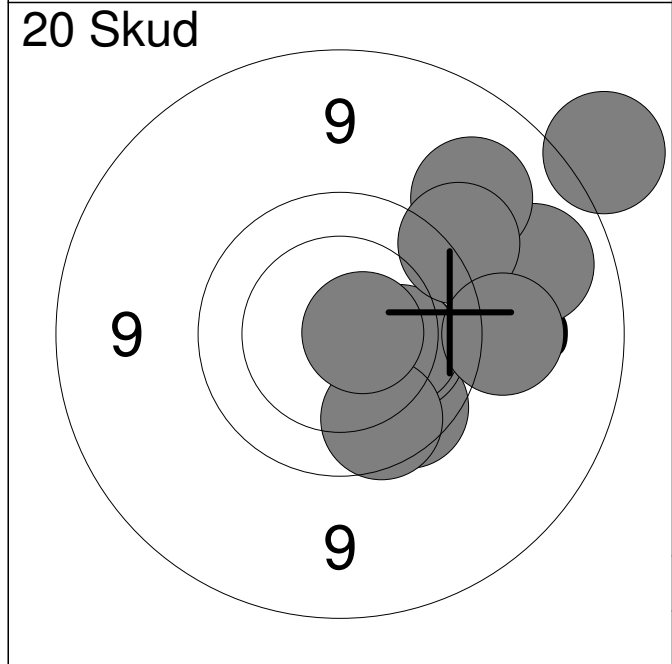
1:	10.4	→
2:	10.0	↑
3:	10.3	←
4:	10.2	↑
5:	10.6x	←
6:	10.3	↘
7:	10.1	↘
8:	10.5x	↗
9:	10.7x	↘
10:	10.0	→
Serie		100.0
Total		100.0



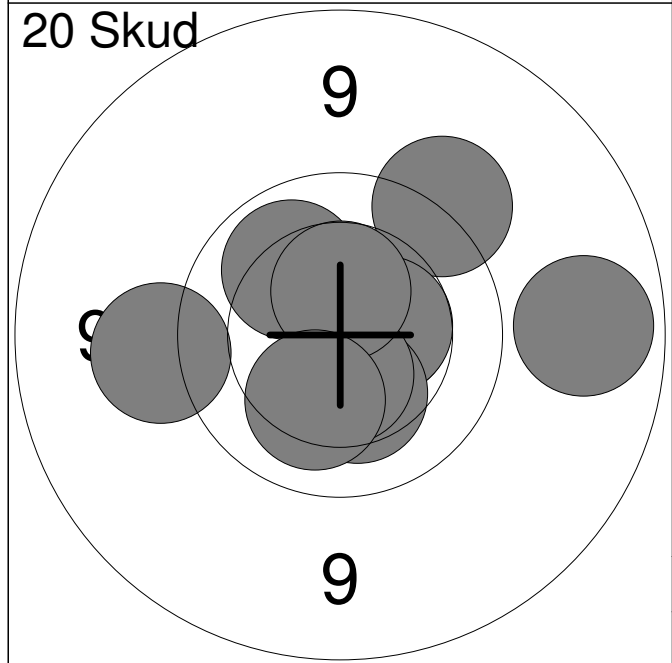
11:	10.2	←
12:	10.4	↗
13:	10.5x	↘
14:	9.7	↗
15:	10.1	←
16:	10.5x	↑
17:	10.0	→
18:	10.0	↘
19:	9.7	↑
20:	10.2	←
Serie		98.0
Total		198.0



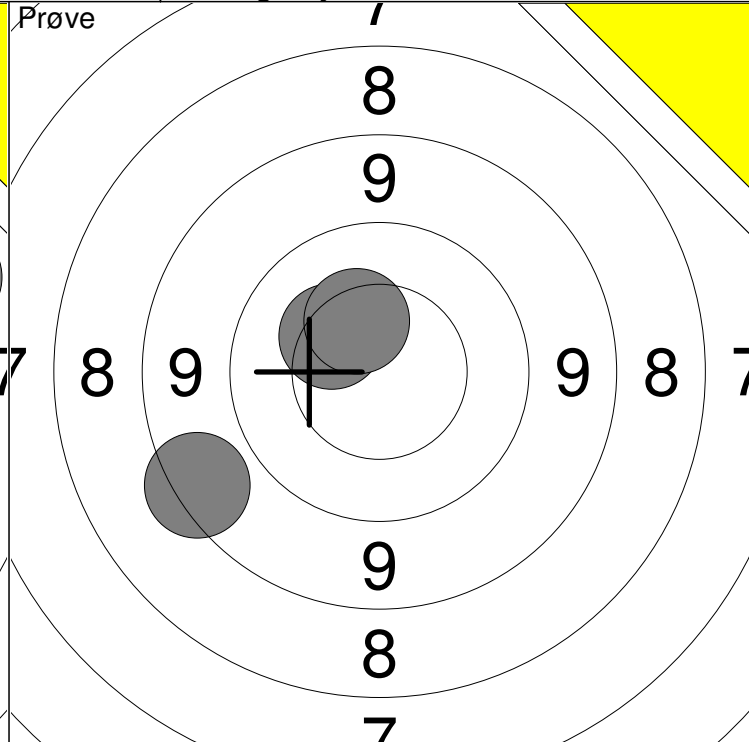
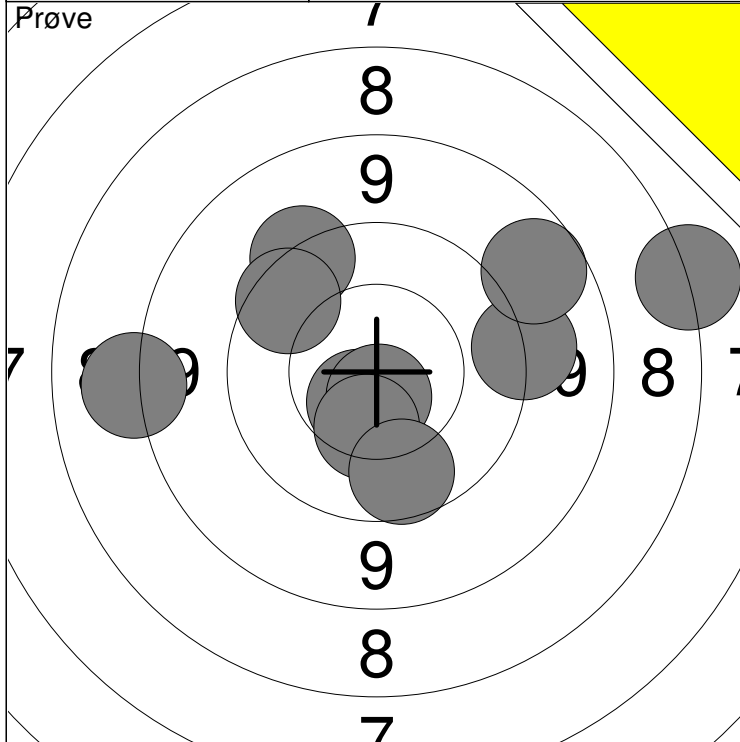
	1:	8.7	→
	2:	8.6	↗
	3:	9.3	←
	4:	9.4	→
	5:	9.9	↖
	6:	9.8	→
Serie			52.0
Total			0.0



	1:	9.8	↘
	2:	10.1	→
	3:	8.5	↗
	4:	10.2	→
	5:	9.1	→
	6:	9.9	↘
	7:	9.2	↗
	8:	9.5	↗
	9:	10.7x	→
	10:	9.4	→
Serie			92.0
Total			92.0

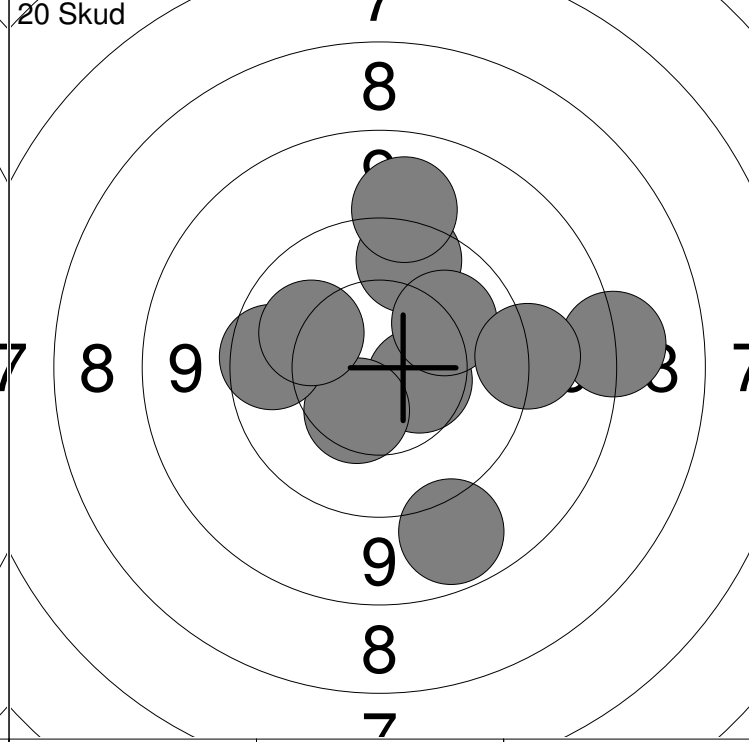
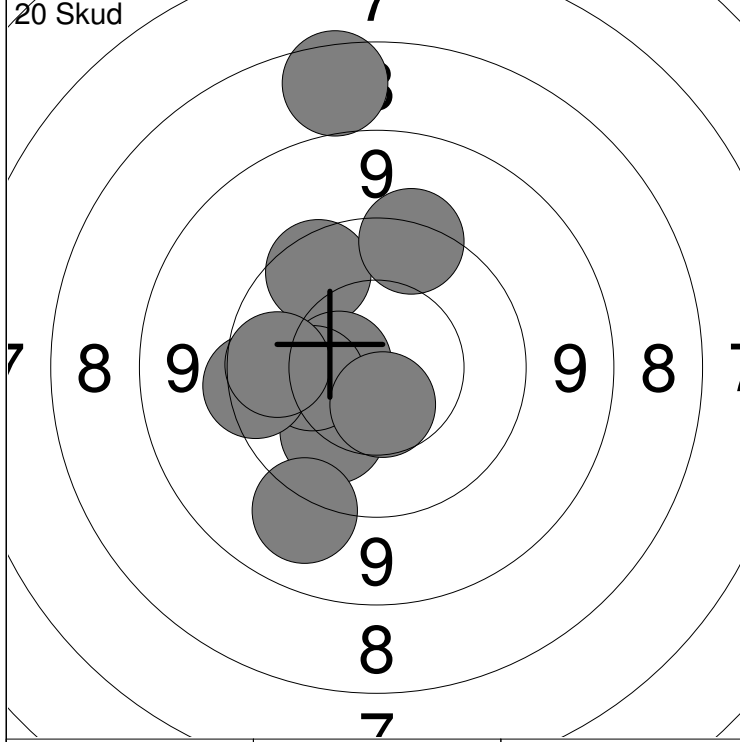


	11:	9.0	→
	12:	10.1	↖
	13:	10.5x	→
	14:	9.5	↗
	15:	10.5	→
	16:	9.4	←
	17:	10.3	↘
	18:	10.5x	↘
	19:	10.5	↑
	20:	10.2	↘
Serie			97.0
Total			189.0



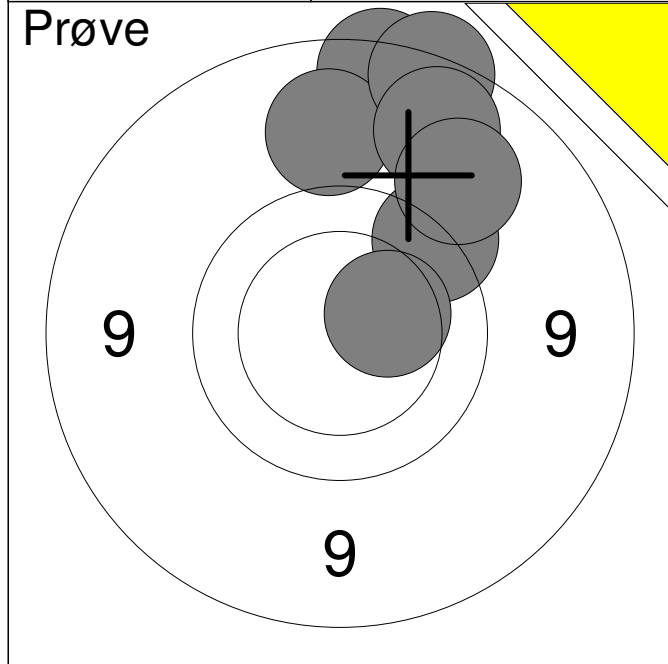
1: 9.4 →	6: 10.4 ↓	Serie	89
2: 7.4 →	7: 9.9 ↓		Total
3: 8.9 ↗	8: 9.5 ↗		
4: 10.6x ↓	9: 9.8 ↗		
5: 10.7x ↓	10: 8.3 ←		

11: 8.6 ←	Serie	28
12: 10.3 ↗		Total
13: 10.4 ↗		

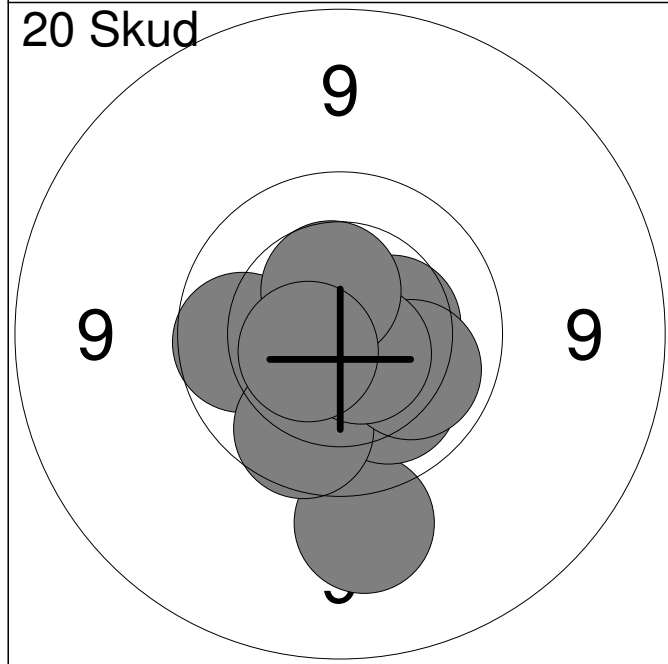


1: 9.8 ↗	6: 10.6 ↓	Serie	92
2: 10.2 ↓	7: 9.6 ↗		Total
3: 10.6 ←	8: 7.8 ↗		
4: 10.3 ←	9: 9.2 ↓		
5: 9.7 ←	10: 9.9 ←		

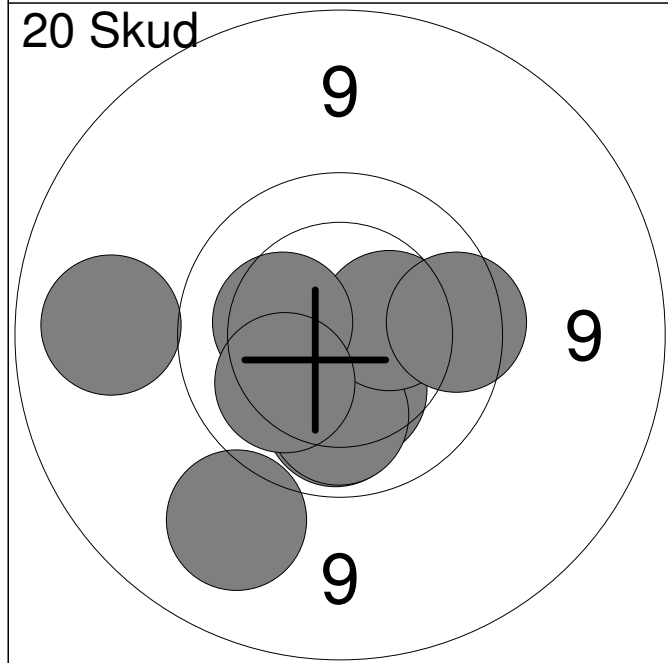
11: 10.5 →	16: 9.8 ←	Serie	93
12: 9.8 ↗	17: 10.2 ↗		Total
13: 10.1 ↗	18: 9.0 ↓		
14: 9.2 ↗	19: 8.4 →		
15: 10.4 ↓	20: 9.4 →		



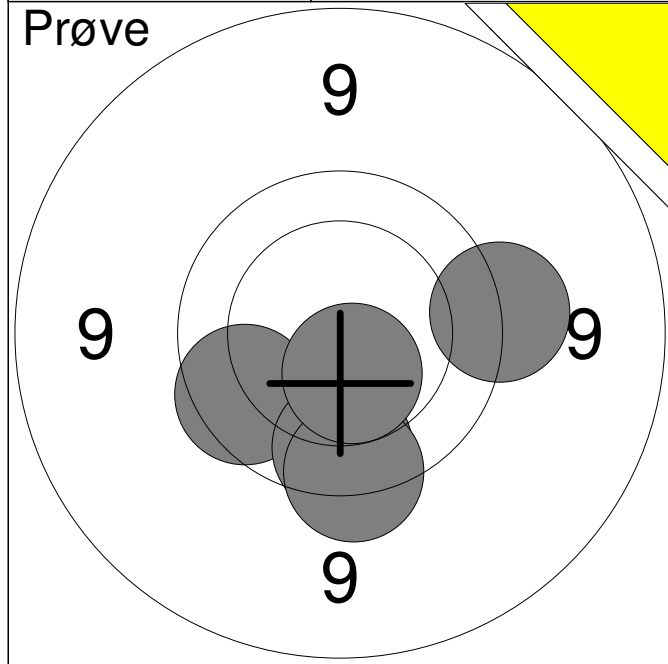
1:	8.8	↑
2:	9.1	↑
3:	9.6	↗
4:	8.8	↑
5:	9.0	↑
6:	9.2	↗
7:	10.3	→
Serie		62.0
Total		0.0



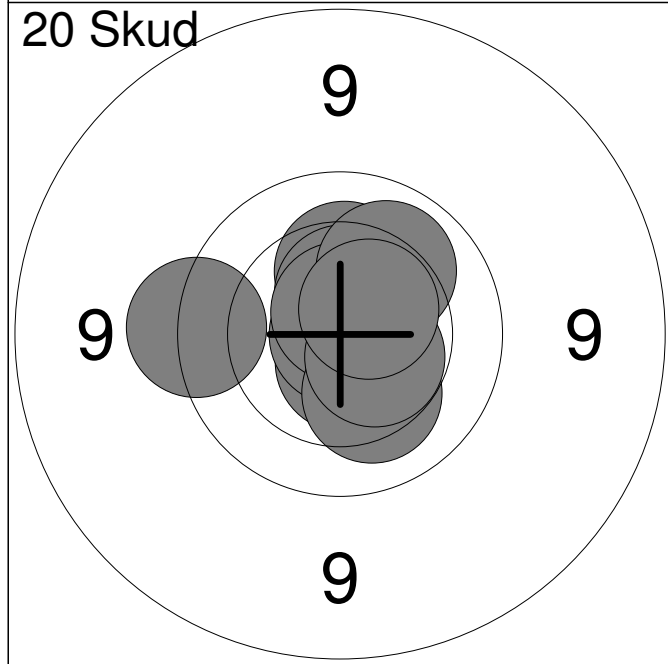
1:	10.0	↓
2:	9.3	↓
3:	10.4	→
4:	10.1	↘
5:	9.9	←
6:	9.9	↘
7:	10.1	→
8:	10.6x	↘
9:	10.5	↑
10:	10.6x	↙
Serie		97.0
Total		97.0



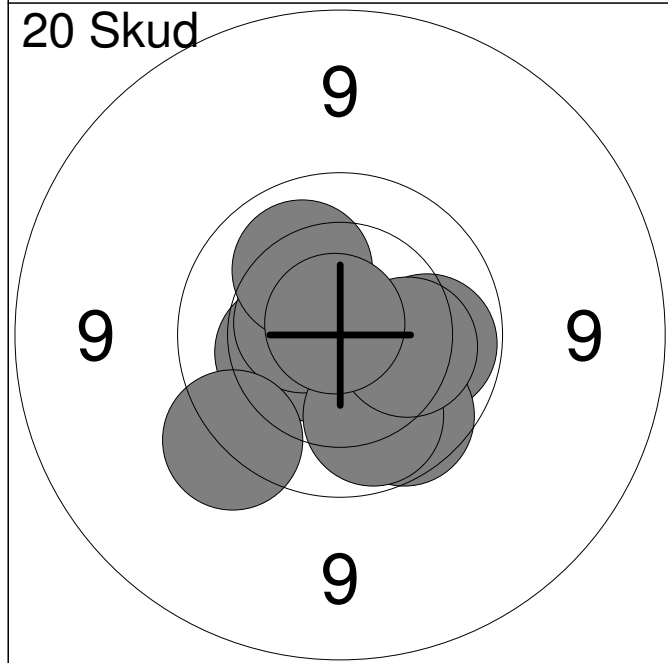
11:	10.1	↓
12:	10.6x	↙
13:	10.3	↓
14:	10.1	↓
15:	10.4	→
16:	9.2	↙
17:	9.8	→
18:	9.1	←
19:	10.3	↙
20:	10.2	↙
Serie		97.0
Total		194.0



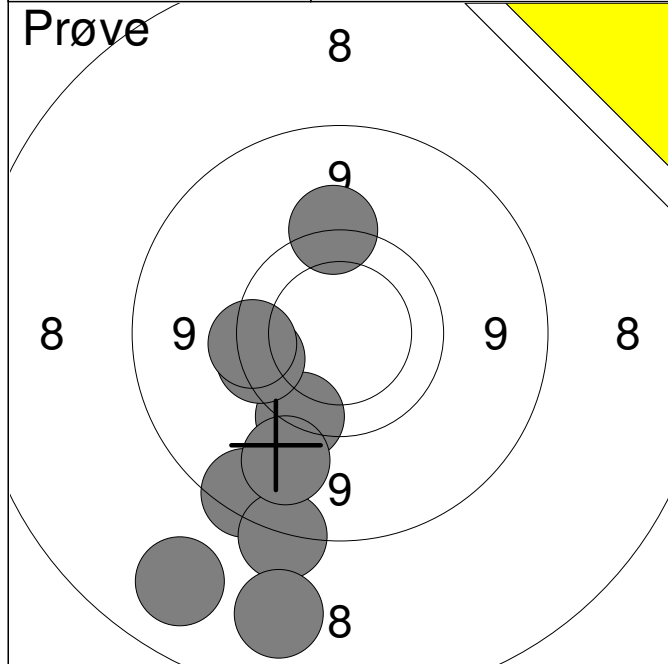
	1:	9.8			↙
	2:	9.8			↓
	3:	9.7			↓
	4:	9.5			→
	5:	10.5x			↓
Serie					46.0
Total					0.0



	1:	10.3			↑
	2:	10.6x			↓
	3:	10.5x			↑
	4:	10.9x			↙
	5:	10.7x			↑
	6:	10.1			↗
	7:	10.2			↓
	8:	9.6			←
	9:	10.5x			↘
	10:	10.5x			↗
Serie					99.0
Total					99.0

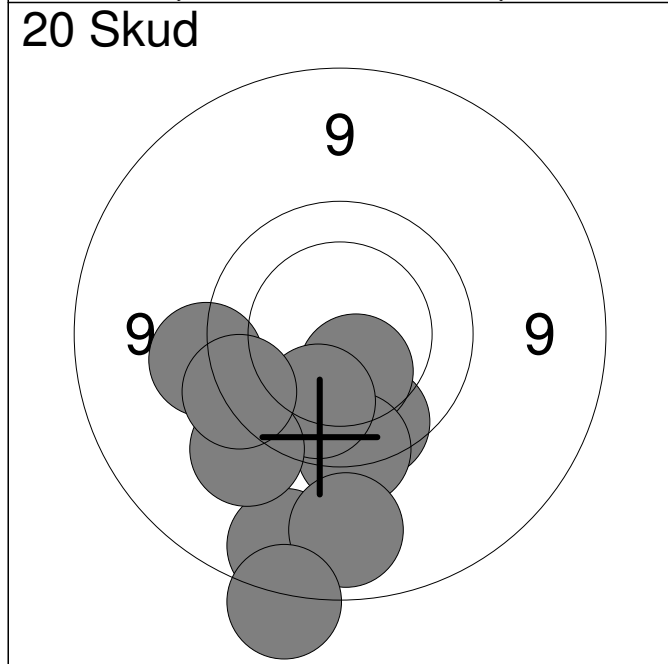


	11:	10.0			→
	12:	10.3			←
	13:	10.7x			↙
	14:	9.9			↓
	15:	10.5x			↖
	16:	10.0			↓
	17:	10.1			↗
	18:	9.6			↙
	19:	10.2			→
	20:	10.8x			↖
Serie					98.0
Total					197.0



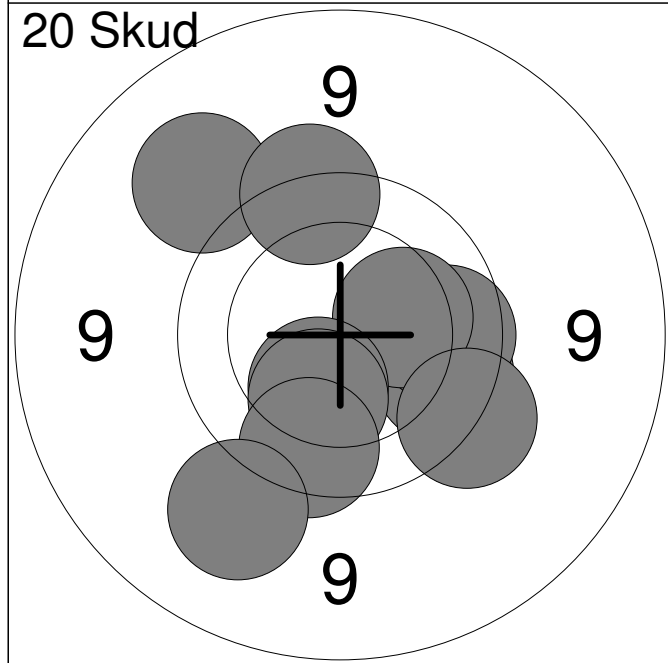
2:	8.8	↙
3:	8.1	↙
4:	9.6	↙
5:	8.7	↙
6:	8.2	↙
7:	9.2	↙
8:	9.7	←
9:	9.7	←
10:	9.5	↑

Serie	77.0
Total	0.0



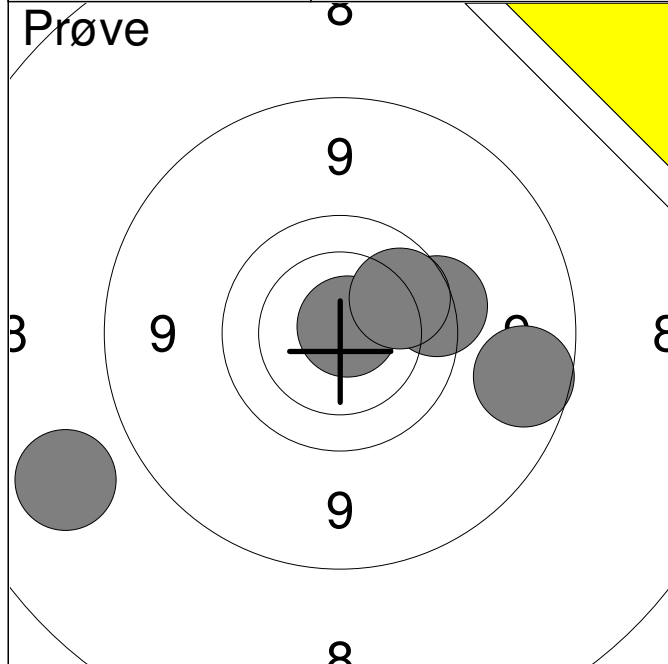
1:	9.8	↓
2:	10.4	↓
3:	9.7	↓
4:	8.9	↓
5:	9.1	↓
6:	10.0	↓
7:	8.6	↓
8:	9.4	↙
9:	9.5	←
10:	9.7	↙

Serie	90.0
Total	90.0

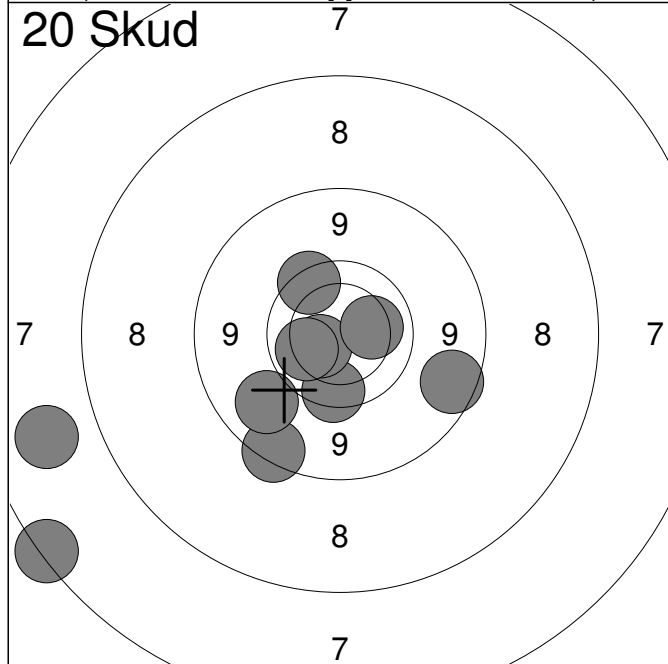


11:	9.8	→
12:	9.9	→
13:	9.3	↗
14:	10.2	→
15:	10.3	↙
16:	10.2	↙
17:	9.8	↙
18:	9.6	↑
19:	9.3	↙
20:	9.6	↘

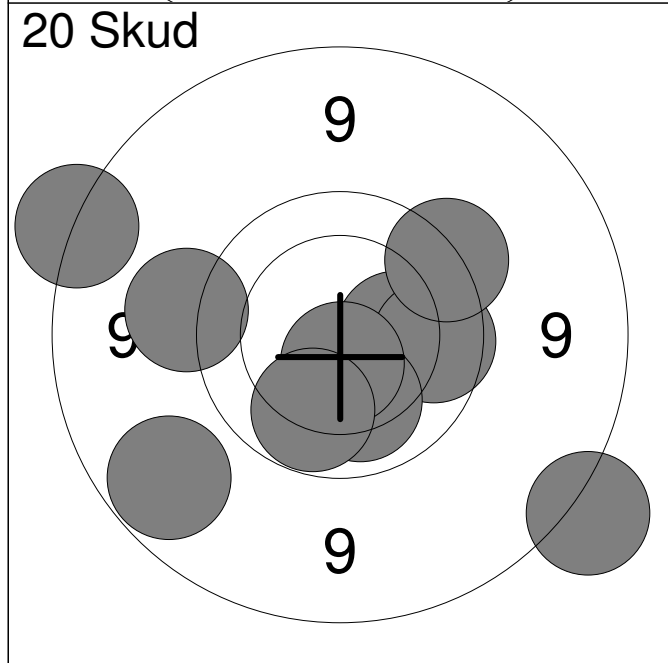
Serie	93.0
Total	183.0



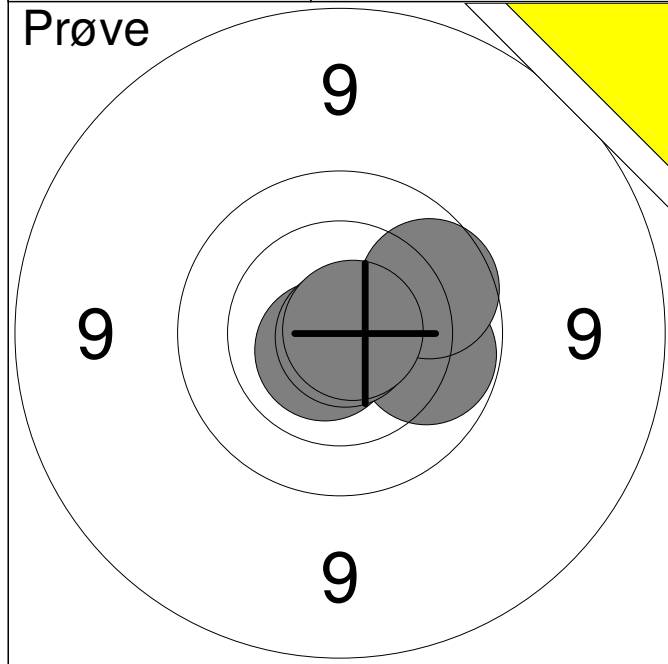
1:	8.3	↙
2:	10.8x	↗
3:	9.7	→
4:	8.9	→
5:	9.9	↗
Serie		44.0
Total		0.0



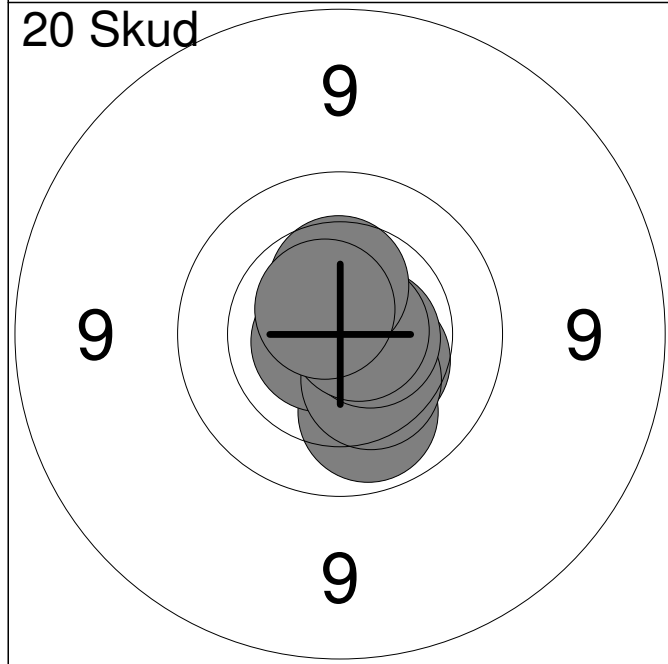
1:	8.8	↙
2:	9.7	↗
3:	9.7	↓
4:	6.7	↙
5:	10.4	↙
6:	10.2	→
7:	8.9	→
8:	9.2	↙
9:	7.2	↙
10:	10.1	↙
Serie		86.0
Total		86.0



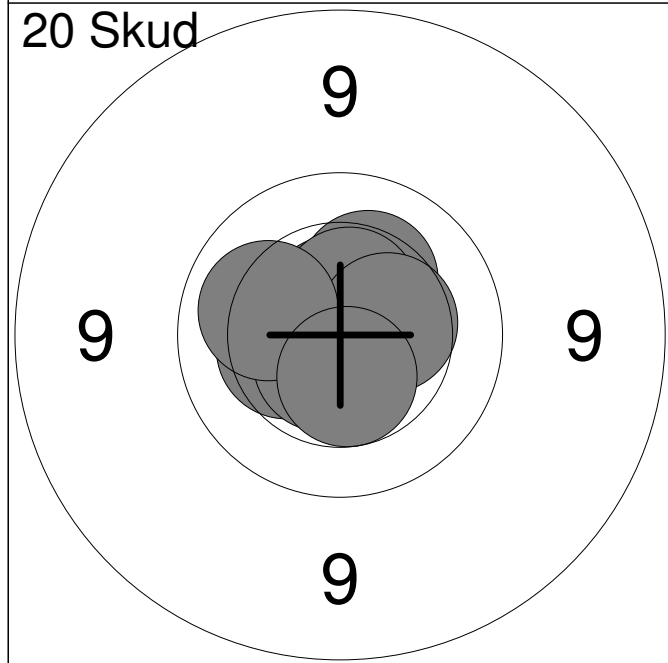
11:	10.2	→
12:	8.6	↓
13:	9.4	↙
14:	9.0	↙
15:	9.9	→
16:	9.6	↗
17:	10.1	↓
18:	10.6x	↓
19:	8.7	↙
20:	10.0	↓
Serie		92.0
Total		178.0



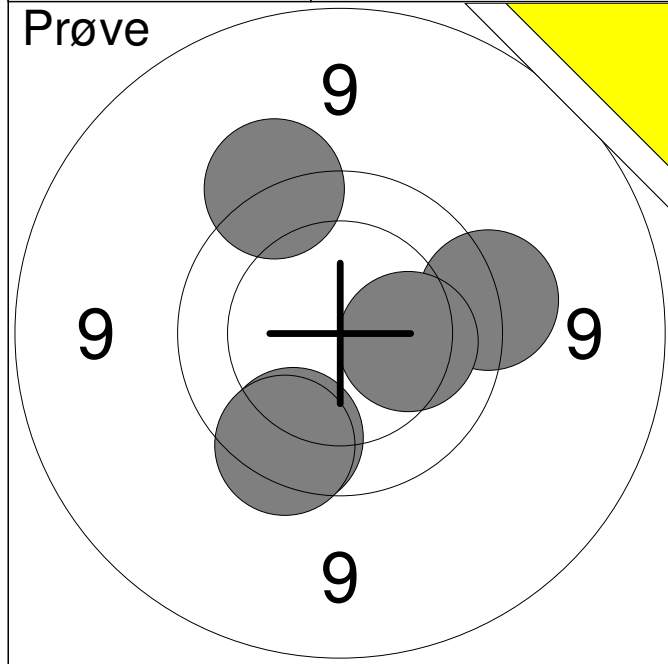
	1:	10.0	→
	2:	9.9	↗
	3:	10.7x	↙
	4:	10.9x	→
	5:	10.8x	→
Serie			49.0
Total			0.0



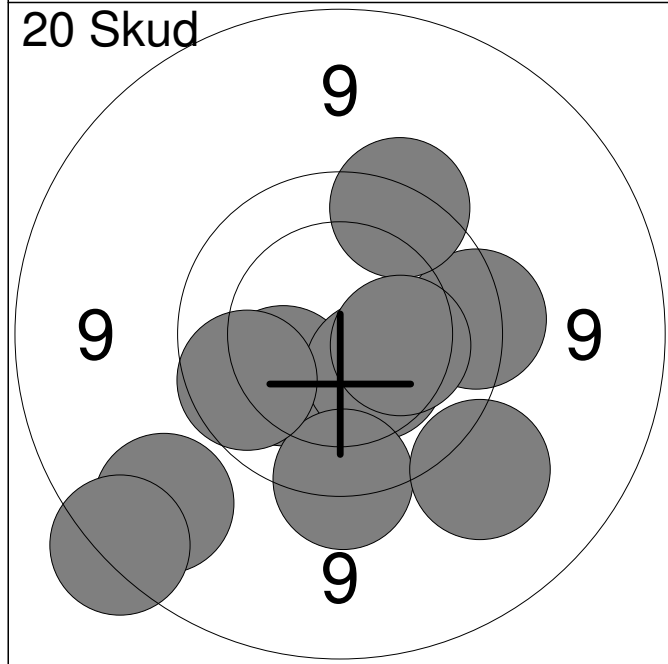
	1:	10.6x	↑
	2:	10.1	↓
	3:	10.7x	↓
	4:	10.7x	←
	5:	10.4	↘
	6:	10.4	↘
	7:	10.6x	→
	8:	10.7x	→
	9:	10.4	↑
	10:	10.6x	↖
Serie			100.0
Total			100.0



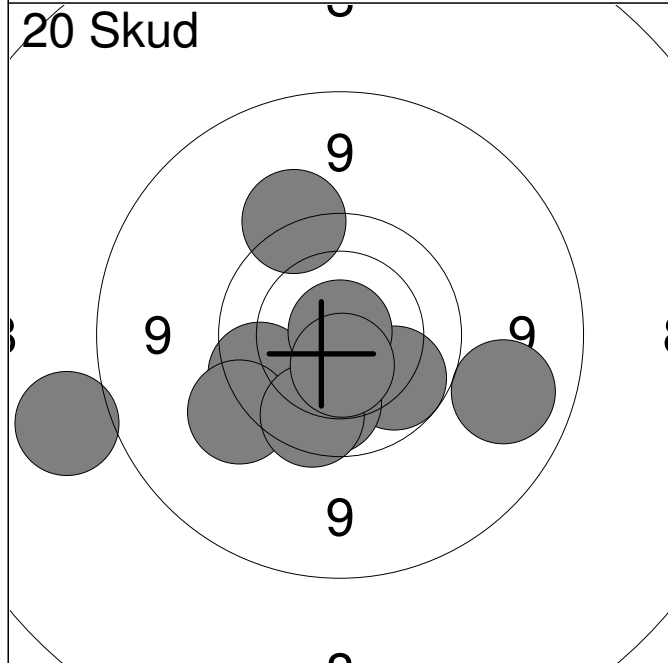
	11:	10.3	←
	12:	10.7x	→
	13:	10.6x	↙
	14:	10.3	↗
	15:	10.6x	↑
	16:	10.6x	↗
	17:	10.5x	↑
	18:	10.4	→
	19:	10.1	←
	20:	10.5x	↓
Serie			100.0
Total			200.0



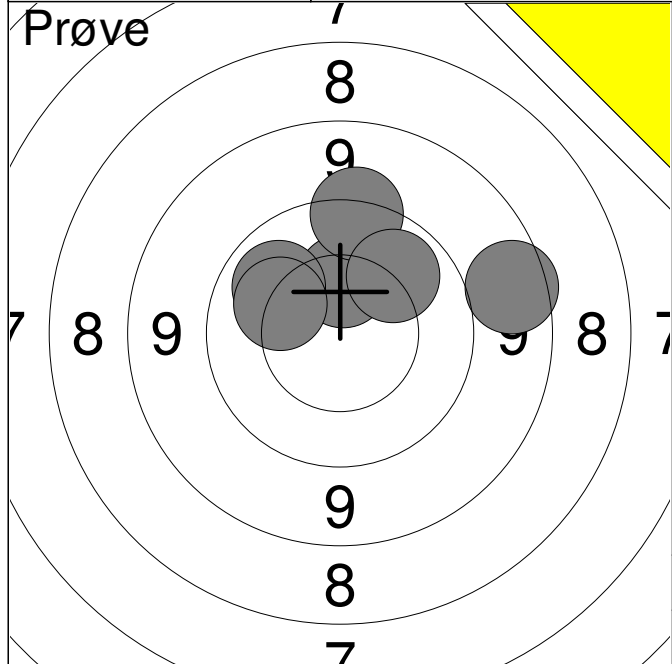
1:	9.6	→
2:	9.5	↑
3:	10.2	→
4:	9.8	↓
5:	9.7	↙
Serie		46.0
Total		0.0



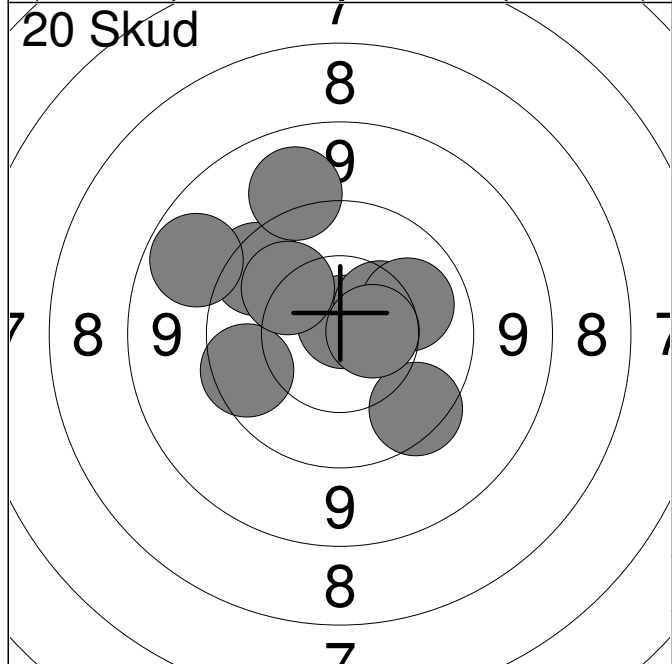
1:	10.2	↙
2:	9.7	→
3:	10.4	↘
4:	9.0	↙
5:	9.6	↓
6:	9.7	↑
7:	9.3	↘
8:	9.9	↙
9:	10.3	→
10:	8.8	↙
Serie		92.0
Total		92.0



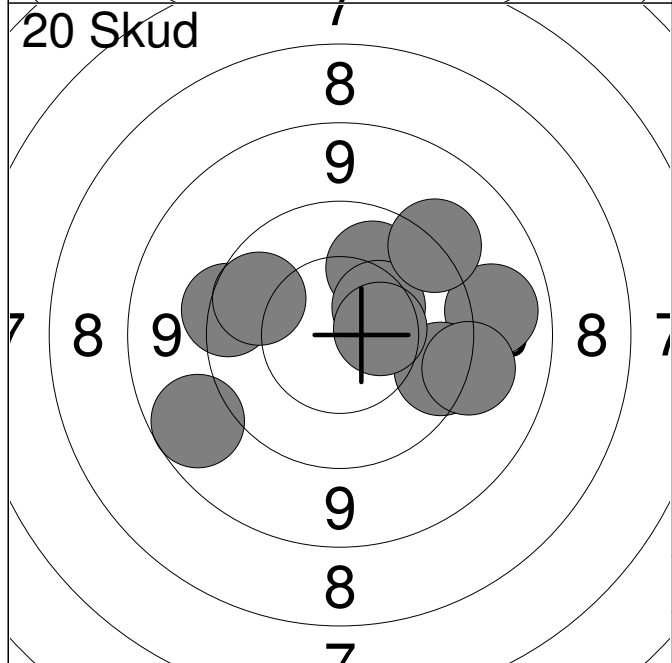
11:	10.0	↘
12:	9.8	↙
13:	9.5	↙
14:	10.0	↓
15:	8.4	↙
16:	9.8	↘
17:	10.9x	↑
18:	9.1	→
19:	10.5x	↓
20:	9.5	↑
Serie		93.0
Total		185.0



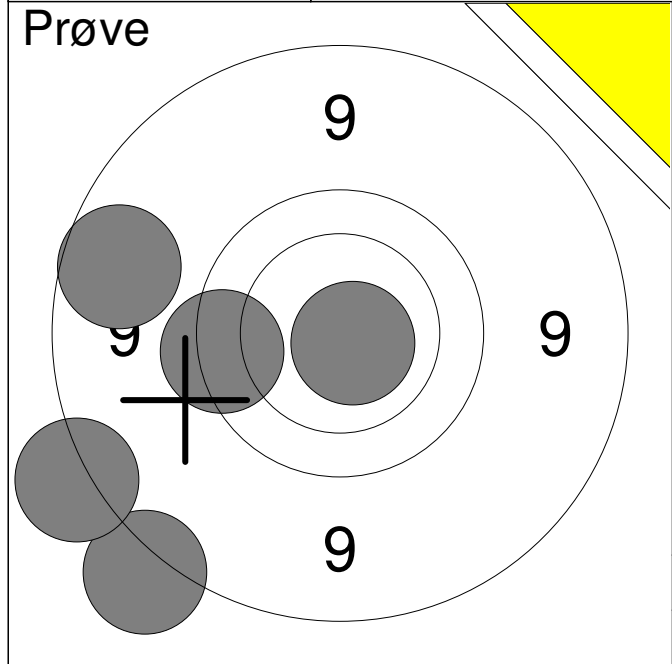
1:	8.8	→
2:	10.3	↑
3:	10.1	↖
4:	10.2	↖
5:	9.5	↑
6:	10.0	↗
Serie		57.0
Total		0.0



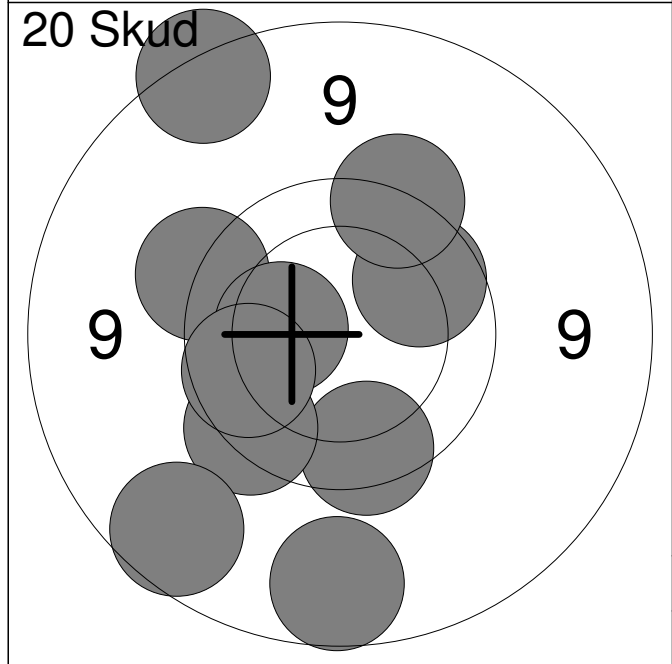
1:	9.7	↖
2:	10.8x	↑
3:	9.8	↖
4:	10.4	↗
5:	9.7	↘
6:	10.1	↗
7:	10.1	→
8:	10.6	→
9:	9.0	↖
10:	9.2	↑
Serie		95.0
Total		95.0



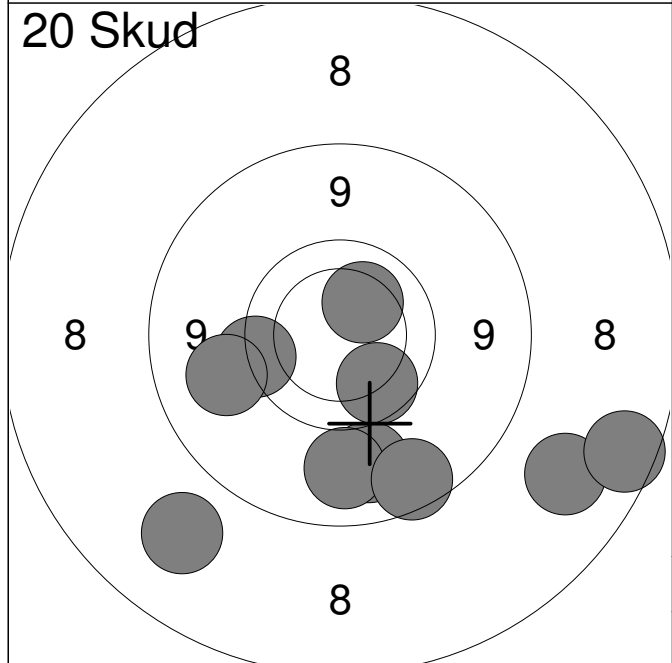
11:	9.6	↖
12:	10.1	↑
13:	10.4	↗
14:	8.9	↖
15:	9.9	↖
16:	9.1	→
17:	9.7	→
18:	10.5	→
19:	9.4	↗
20:	9.4	→
Serie		92.0
Total		187.0



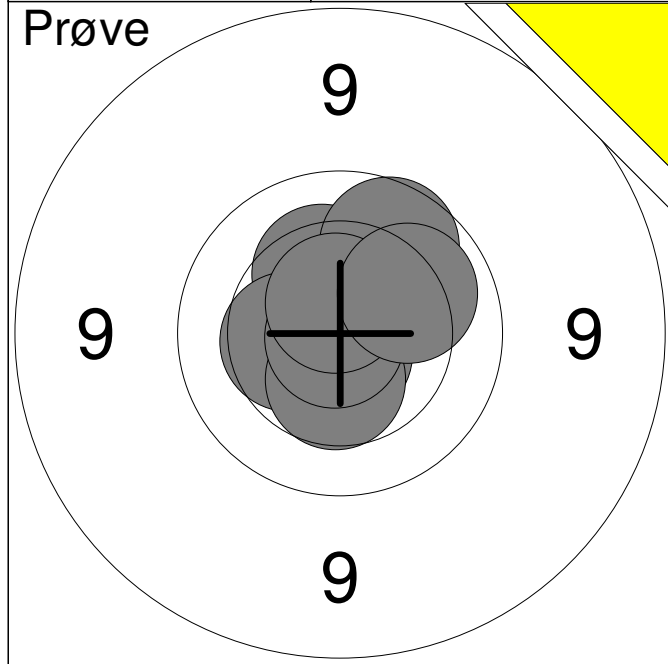
	1:	9.7	←
	2:	8.6	↙
	3:	10.8x	↘
	4:	8.6	↙
	5:	8.9	←
Serie			43.0
Total			0.0



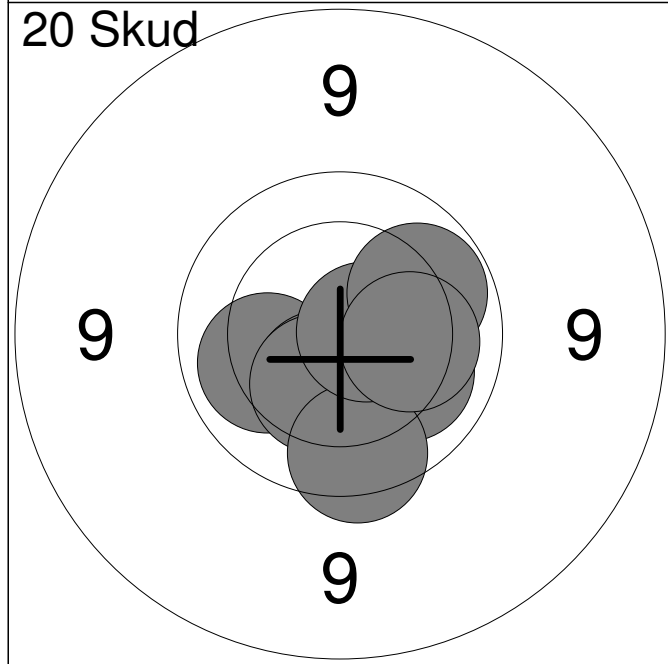
	1:	9.6	↖
	2:	9.8	↓
	3:	8.9	↓
	4:	10.3	←
	5:	9.9	↗
	6:	9.7	↙
	7:	8.9	↙
	8:	9.9	←
	9:	9.6	↗
	10:	8.8	↗
Serie			88.0
Total			88.0



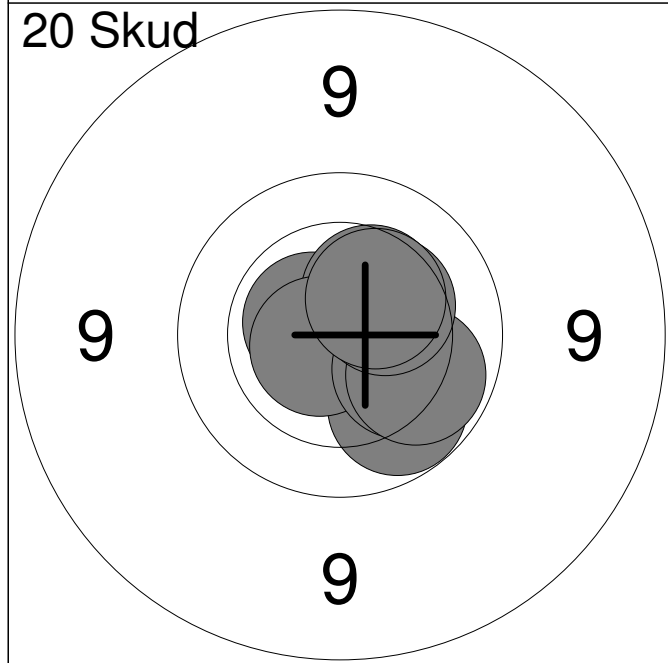
	11:	9.2	↓
	12:	8.2	↙
	13:	9.6	←
	14:	10.2	↗
	15:	9.1	↓
	16:	9.3	↙
	17:	8.2	↘
	18:	7.9	↘
	19:	9.9	↘
	20:	8.9	↘
Serie			86.0
Total			174.0



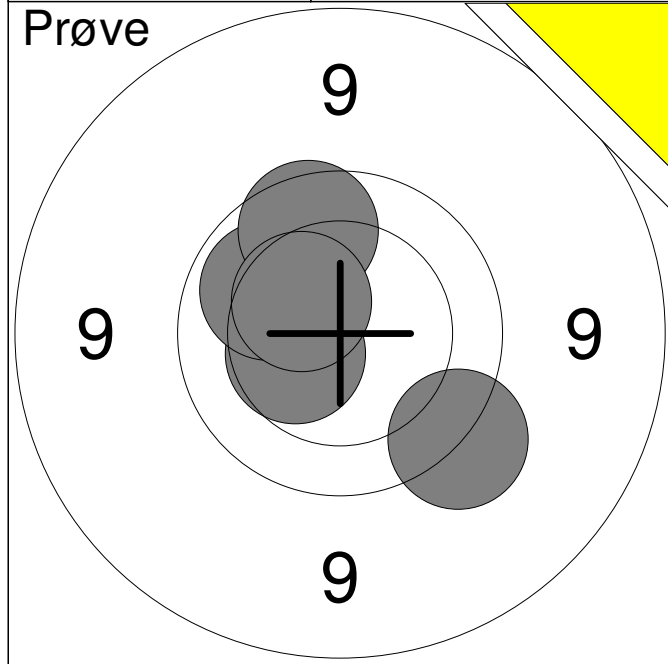
1:	10.3	↑
2:	10.4	←
3:	10.9x	→
4:	10.6x	↗
5:	10.7x	↓
6:	10.4	↓
7:	9.9	↗
8:	10.9x	←
9:	10.6x	↑
10:	10.1	↗
Serie		99.0
Total		0.0



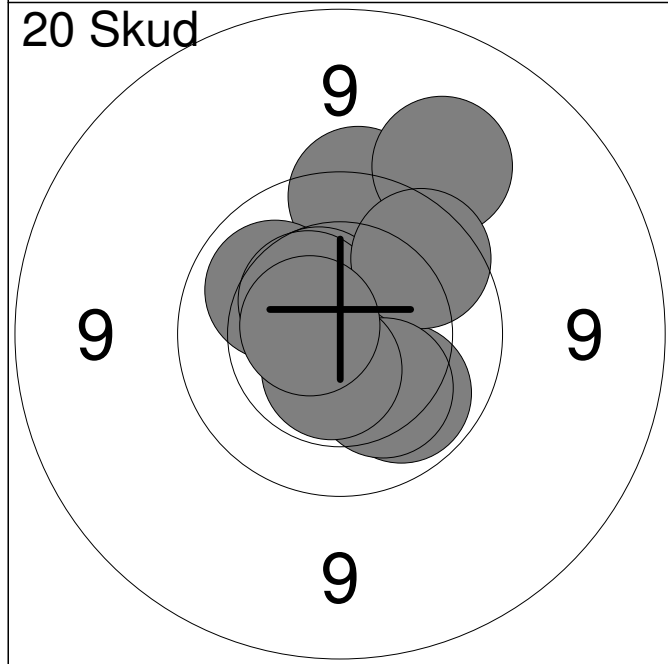
1:	10.3	↘
2:	10.1	←
3:	10.4	↓
4:	10.1	↘
5:	10.5	→
6:	10.4	↓
7:	9.8	↓
8:	10.7x	→
9:	10.0	↗
10:	10.2	→
Serie		99.0
Total		99.0



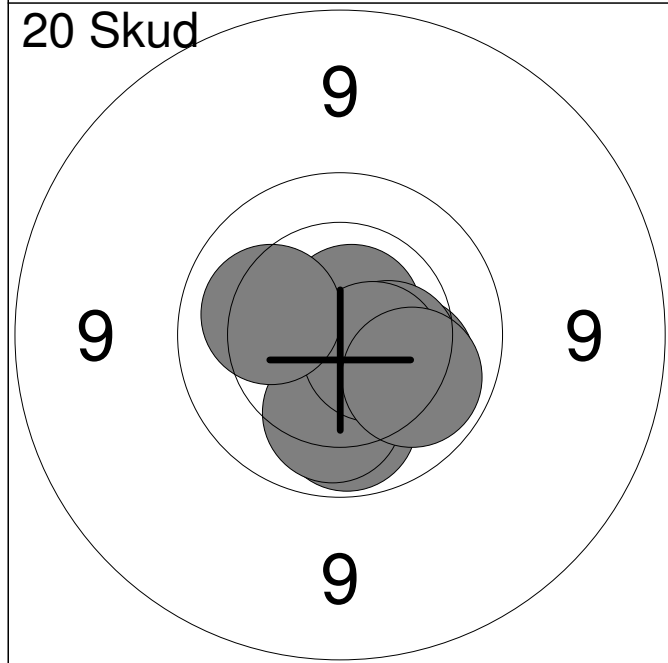
11:	10.8x	↘
12:	10.6x	↖
13:	10.7x	→
14:	10.4	↗
15:	10.0	↓
16:	10.7x	←
17:	10.2	↘
18:	10.0	↘
19:	10.4	↗
20:	10.4	↗
Serie		100.0
Total		199.0



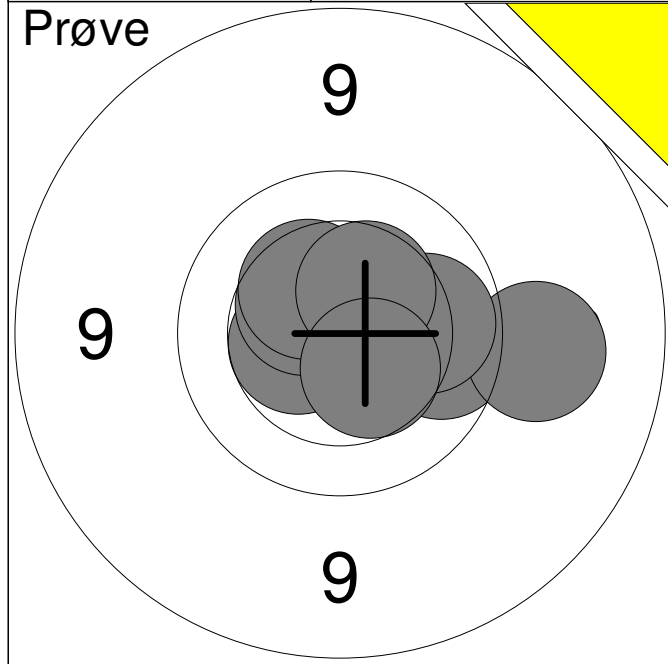
1:	10.4	←
2:	10.1	↗
3:	9.5	↘
4:	9.9	↗
5:	10.4	↗
Serie		48.0
Total		0.0



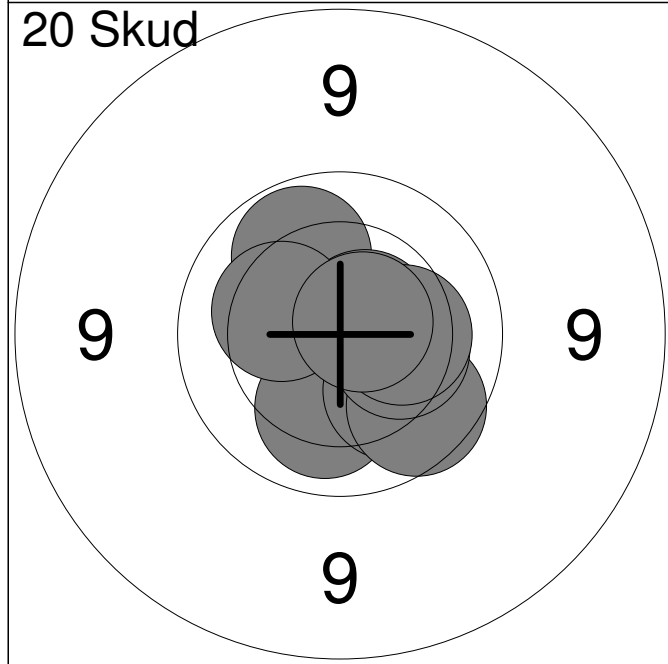
1:	9.7	↑
2:	10.1	↗
3:	10.5	↗
4:	10.0	↘
5:	10.5	↗
6:	9.3	↗
7:	9.8	↗
8:	10.2	↘
9:	10.6x	↘
10:	10.6x	←
Serie		97.0
Total		97.0



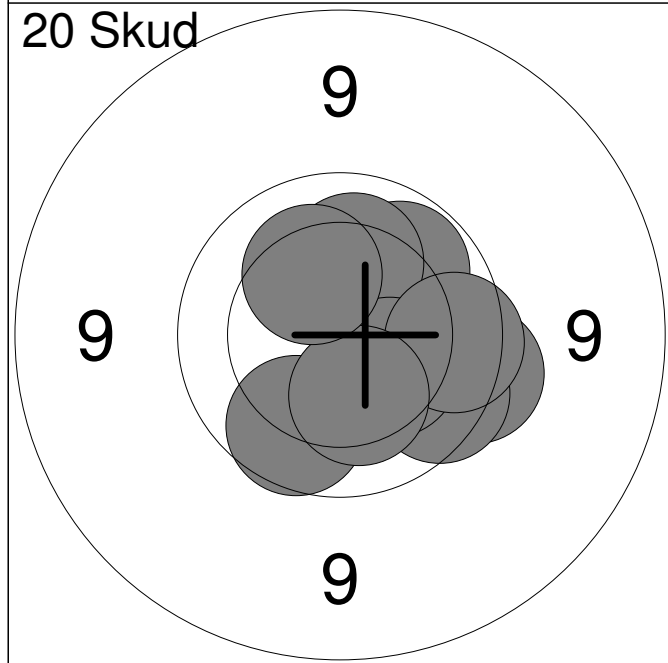
11:	10.5	↘
12:	10.2	↘
13:	10.0	↘
14:	10.9x	↗
15:	10.1	↘
16:	10.7x	↗
17:	10.4	↘
18:	10.6x	↘
19:	10.2	↗
20:	10.0	↘
Serie		100.0
Total		197.0



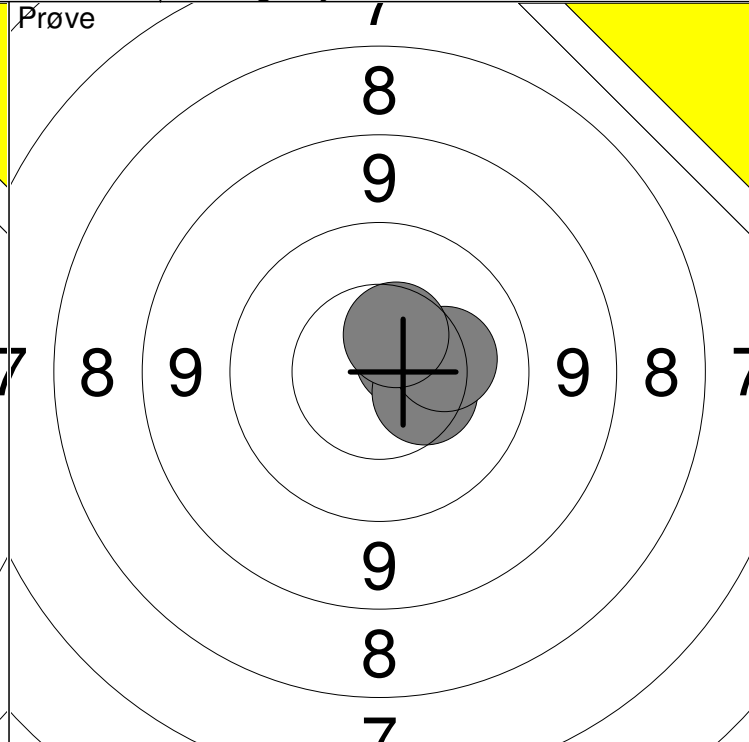
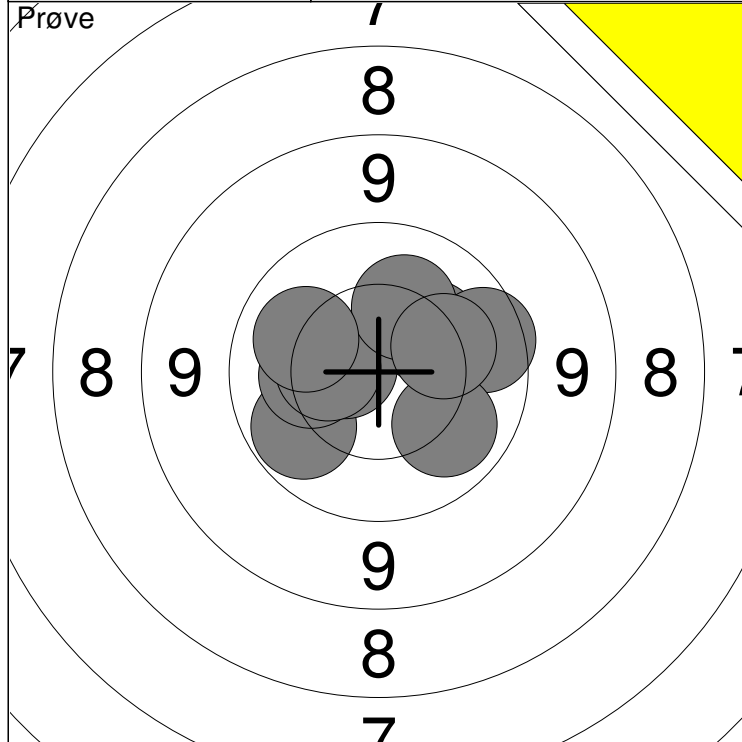
1:	9.9	→
2:	10.5	←
3:	10.5	↗
4:	10.4	↗
5:	9.3	→
6:	10.0	→
7:	10.4	↗
8:	10.4	↘
Serie		78.0
Total		0.0



1:	10.7x	↗
2:	10.1	↘
3:	10.1	↘
4:	10.0	↗
5:	9.9	↘
6:	10.6x	↗
7:	10.3	→
8:	10.3	↖
9:	10.3	→
10:	10.7x	↗
Serie		99.0
Total		99.0

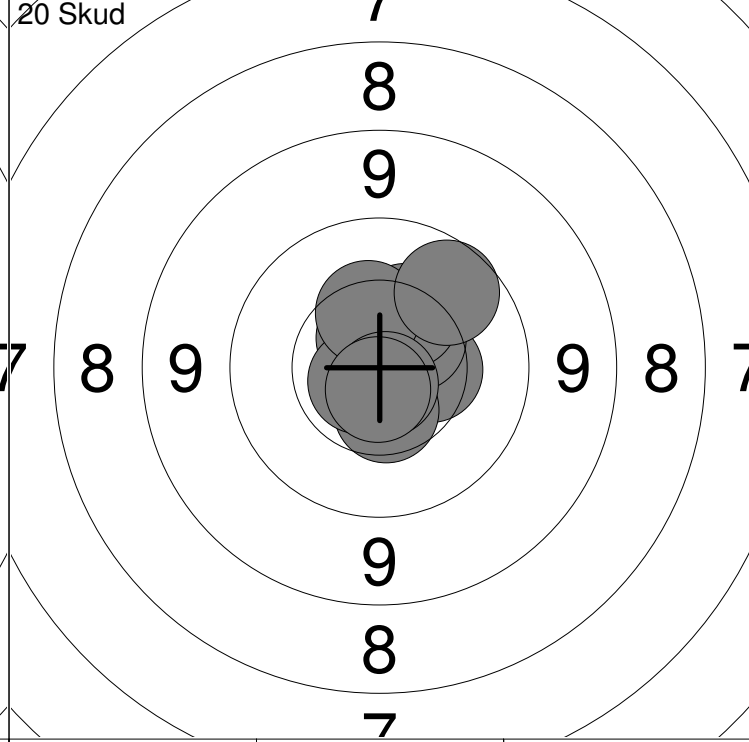
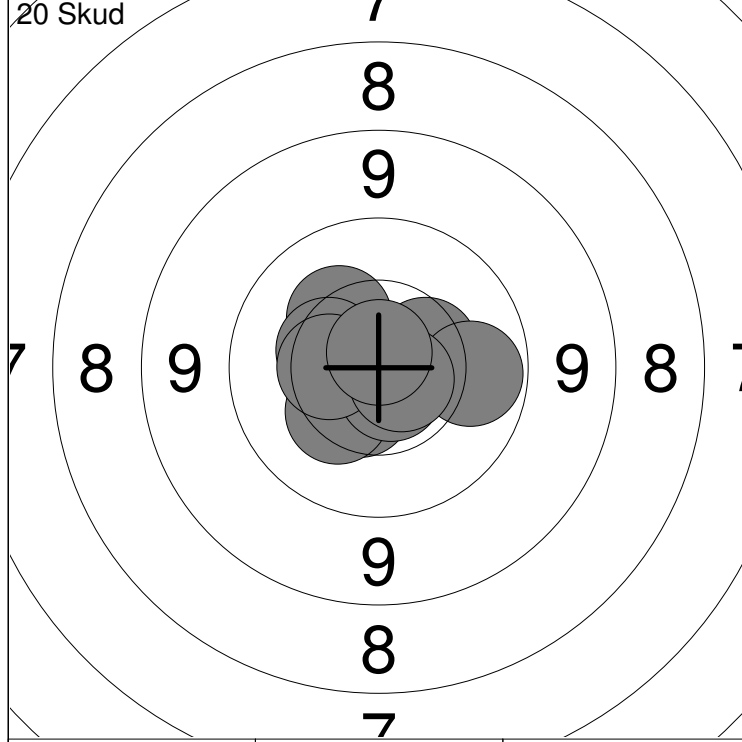


11:	10.0	↗
12:	9.9	↘
13:	10.2	↘
14:	9.7	→
15:	10.2	↗
16:	9.8	↘
17:	10.3	↘
18:	9.8	→
19:	10.3	↘
20:	10.2	↗
Serie		96.0
Total		195.0



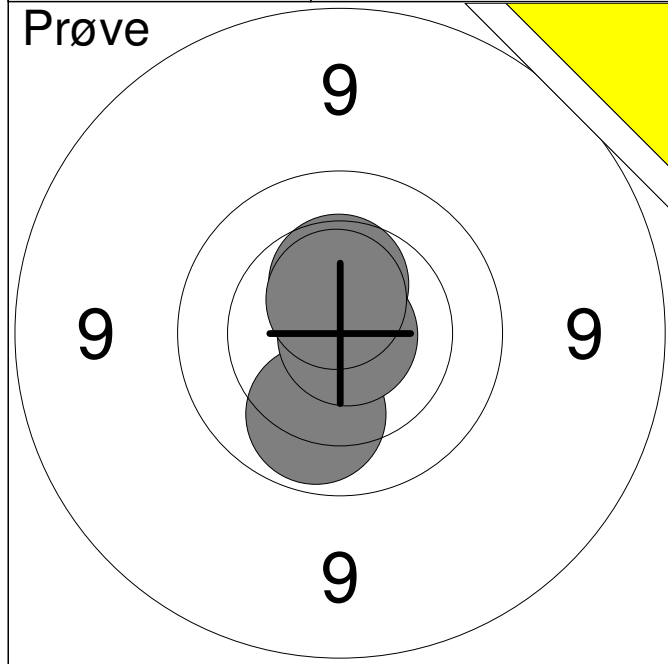
1: 10.3 ↗	6: 10.6x ←	Serie 99	
2: 9.8 →	7: 10.4 ←		
3: 10.1 ↘	8: 10.2 ↗	Total 0	
4: 10.0 ↙	9: 10.1 ←		
5: 10.3 ←	10: 10.2 →		

11: 10.6x ↗	Serie 40		
12: 10.4 →			
13: 10.3 →	Total 0		
14: 10.5 ↗			

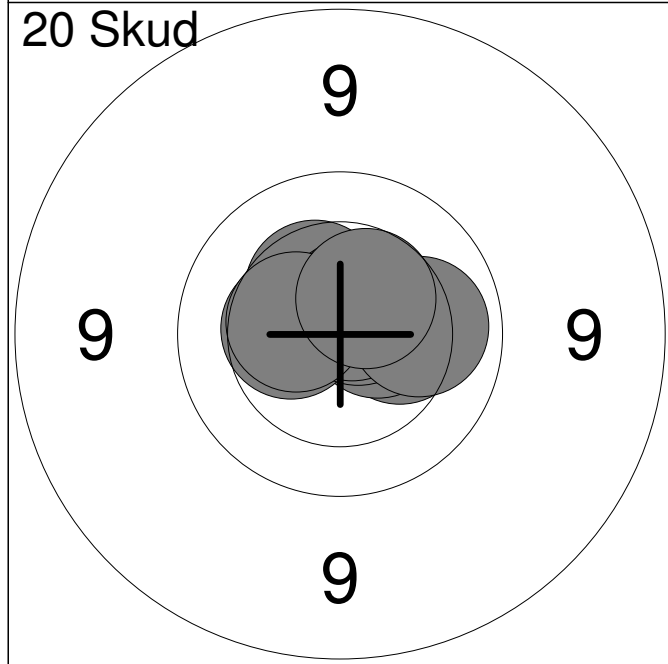


1: 10.3 ↗	6: 10.4 →	Serie 100	
2: 10.5 ↘	7: 10.0 →		
3: 10.3 ↙	8: 10.4 ←	Total 100	
4: 10.4 ↖	9: 10.7x ↗		
5: 10.7x ↘	10: 10.8x ↗		

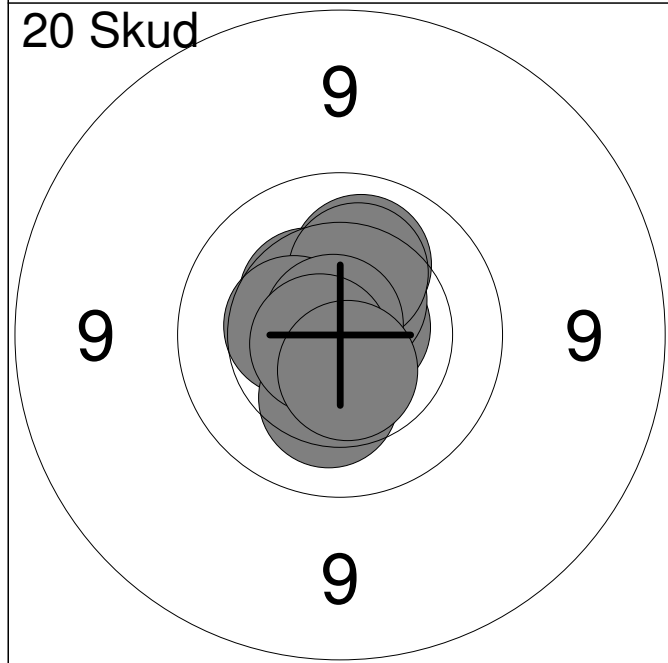
11: 10.6x ↗	Serie 99		
12: 10.4 →			
13: 10.5 ↗	Total 199		
14: 10.5 ↘			
15: 10.7x ↙	16: 10.4 ↗		
	17: 10.4 ↗		
	18: 10.8x ↘		
	19: 9.9 ↗		
	20: 10.7x ↘		



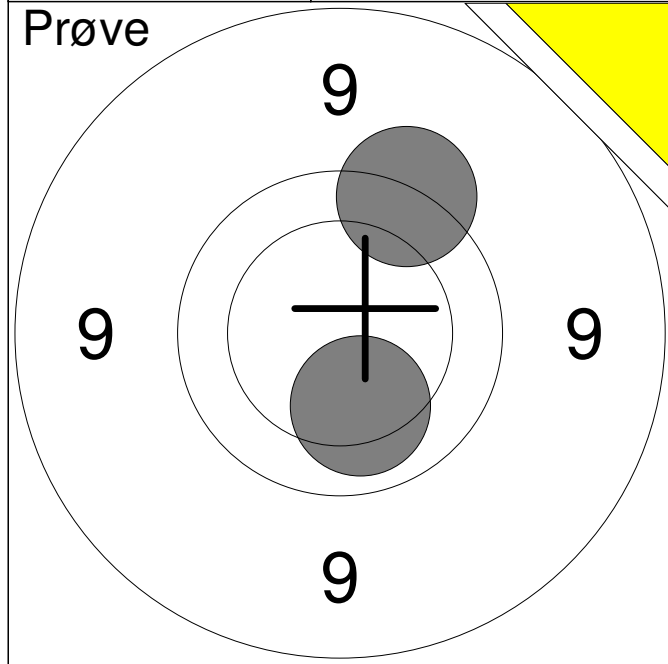
	1:	10.0	↓
	2:	10.9x	→
	3:	10.4	↑
	4:	10.6x	↑
Serie			40.0
Total			0.0



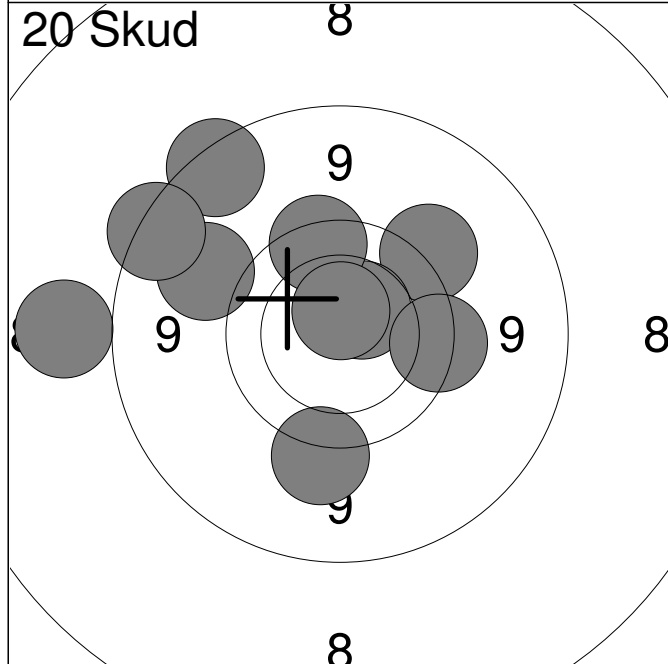
	1:	10.4	↖
	2:	10.3	→
	3:	10.5x	→
	4:	10.7x	↗
	5:	10.4	←
	6:	10.7x	↗
	7:	10.7x	↗
	8:	10.1	→
	9:	10.5	←
	10:	10.5	↗
Serie			100.0
Total			100.0



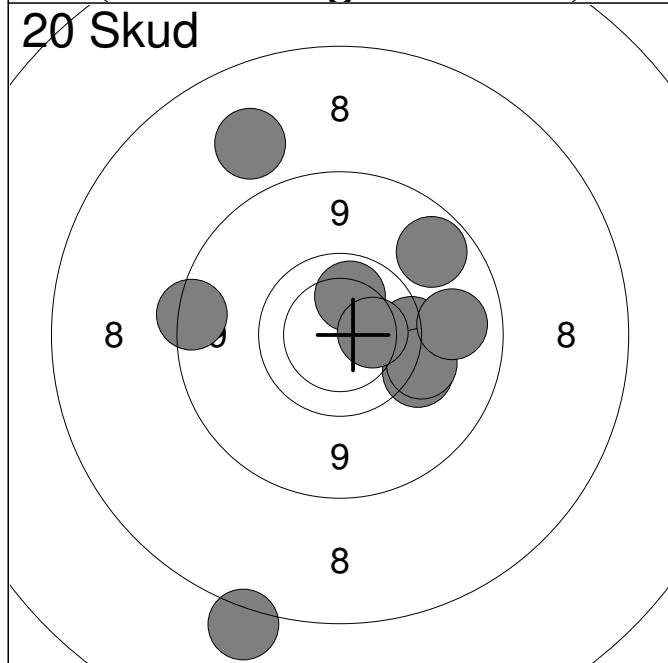
	11:	10.2	↗
	12:	10.7x	→
	13:	10.5x	↗
	14:	10.4	↗
	15:	10.2	↗
	16:	10.4	←
	17:	10.8x	↗
	18:	10.3	↓
	19:	10.7x	←
	20:	10.6x	↓
Serie			100.0
Total			200.0



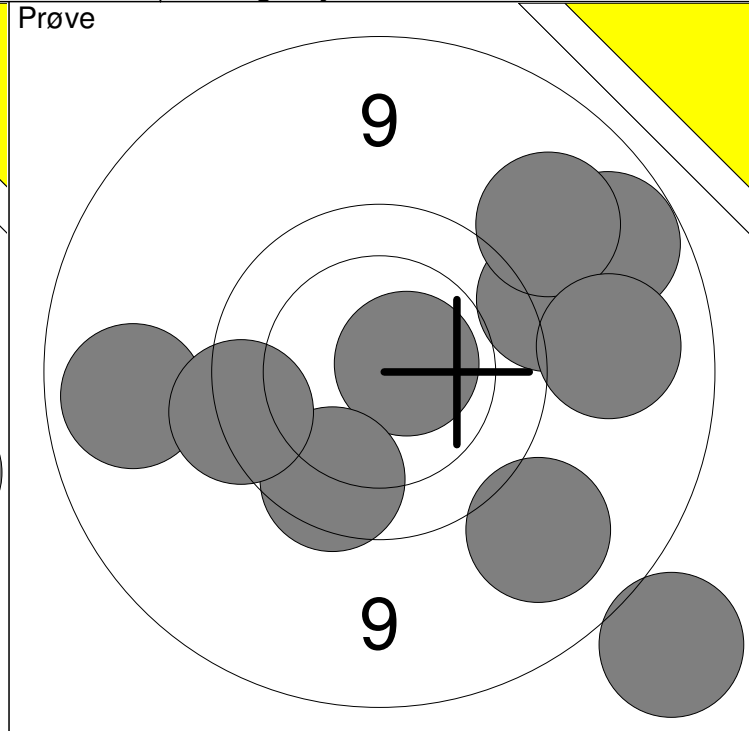
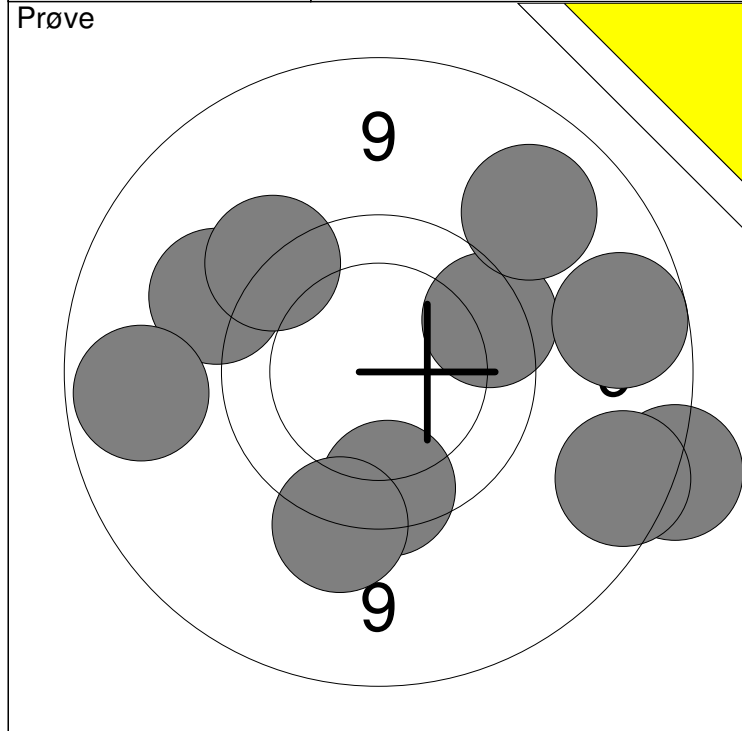
	1:	9.6	↗
	2:	10.1	↓
Serie			19.0
Total			0.0



	1:	8.8	↗
	2:	9.5	↗
	3:	10.4	↗
	4:	9.2	↖
	5:	9.7	↑
	6:	9.7	→
	7:	9.4	↓
	8:	8.4	←
	9:	8.8	↖
	10:	10.6x	↑
Serie			89.0
Total			89.0

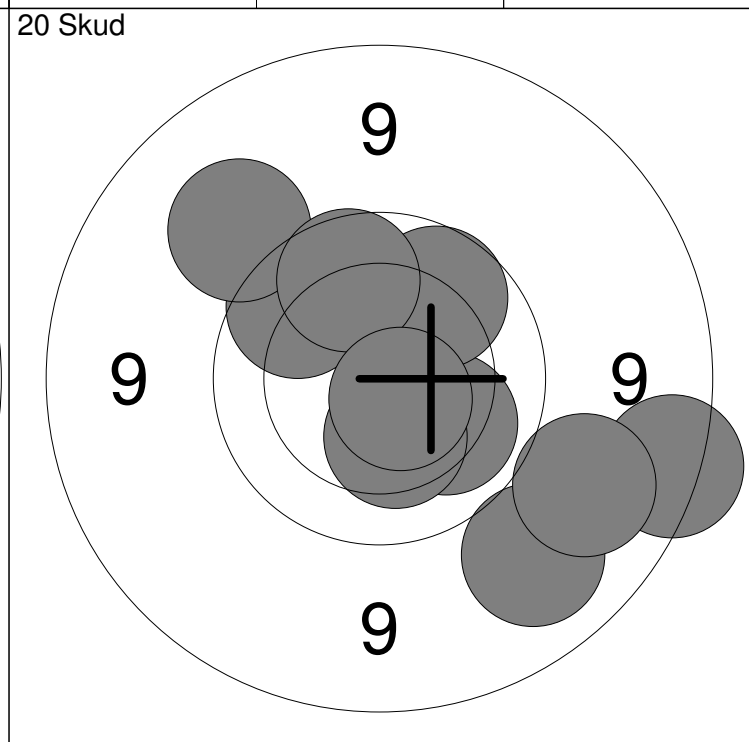
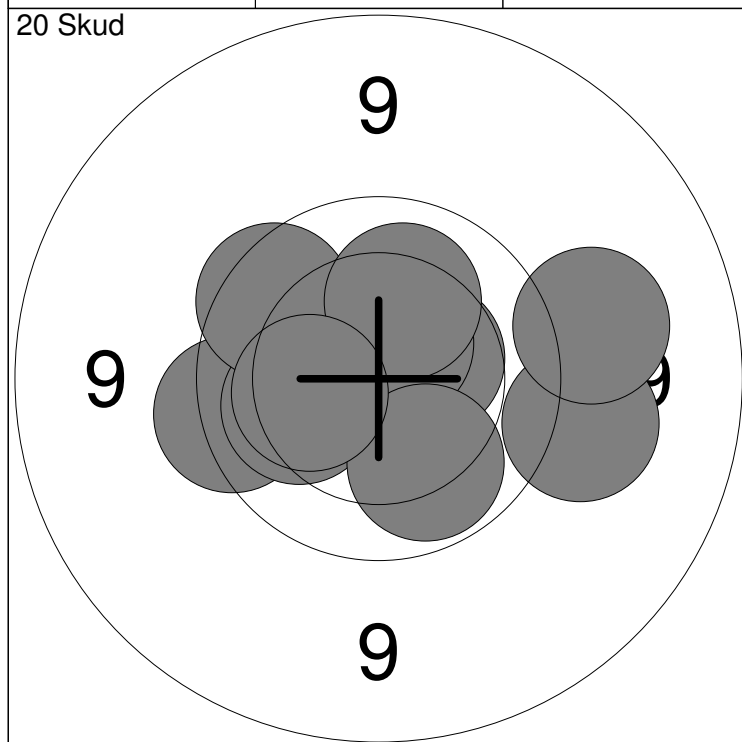


	11:	9.5	→
	12:	7.5	↓
	13:	10.1	↑
	14:	9.0	↗
	15:	9.6	→
	16:	8.3	↑
	17:	8.8	←
	18:	9.5	→
	19:	9.1	→
	20:	10.3	→
Serie			88.0
Total			177.0



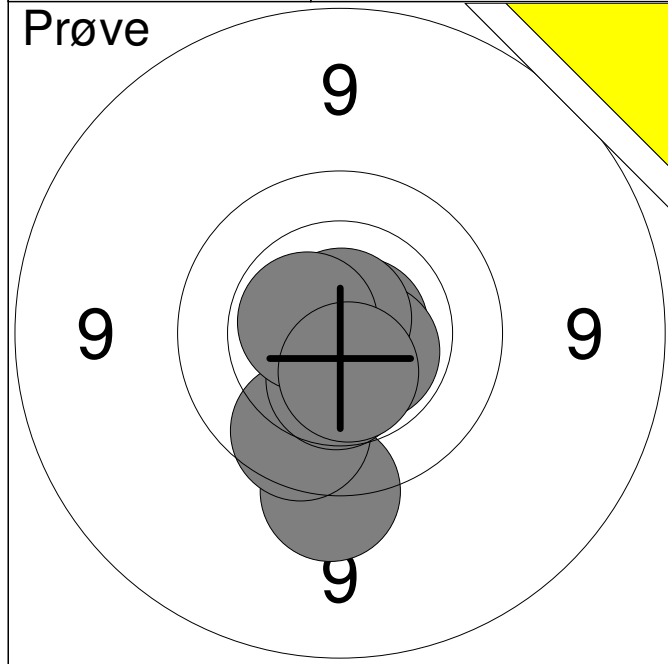
1: 9.8 ↓	6: 9.1 ↗	Serie	87
2: 9.7 →	7: 9.0 ←		
3: 8.7 →	8: 9.6 ↖	Total	0
4: 9.4 ↖	9: 9.5 ↓		
5: 8.9 →	10: 8.9 →		

11: 9.4 →	16: 9.2 ↗	Serie	90
12: 10.7x →	17: 8.4 ↓		
13: 9.8 ↓	18: 9.0 ←	Total	0
14: 9.2 ↓	19: 9.7 ←		
15: 9.0 →	20: 9.1 →		

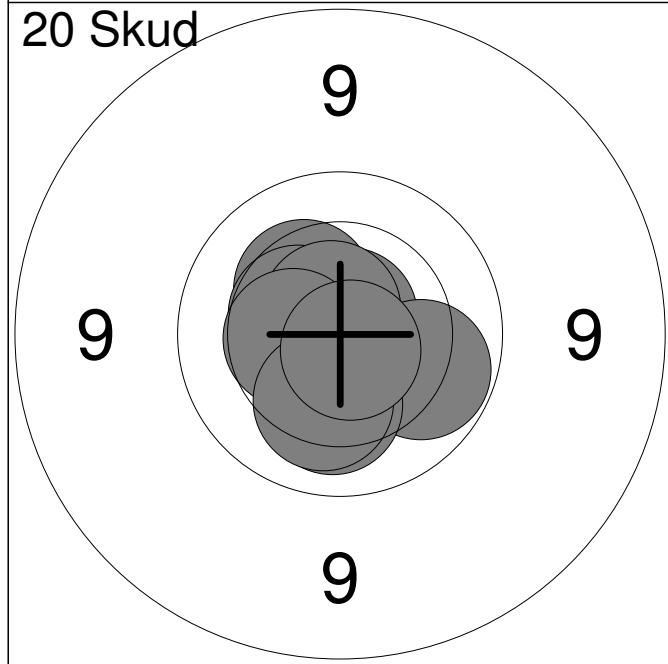


1: 10.4 →	6: 9.3 →	Serie	96
2: 9.7 ←	7: 9.8 ↖		
3: 10.6x ↗	8: 10.2 ↗	Total	96
4: 9.4 →	9: 10.0 ↓		
5: 10.1 ←	10: 10.3 ←		

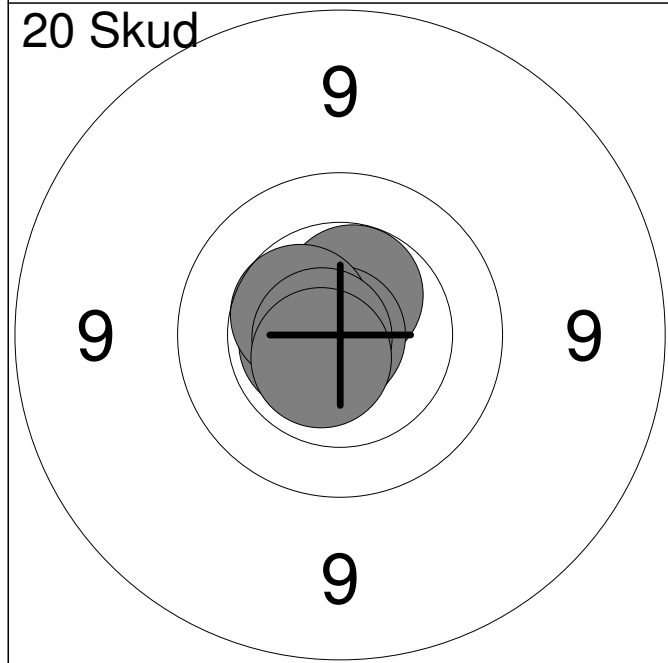
11: 10.1 ↓	16: 9.9 ↗	Serie	92
12: 9.9 ↗	17: 9.1 ↓		
13: 8.8 →	18: 9.9 ↗	Total	188
14: 10.3 ↓	19: 9.1 ↓		
15: 9.3 ↗	20: 10.6x ↓		



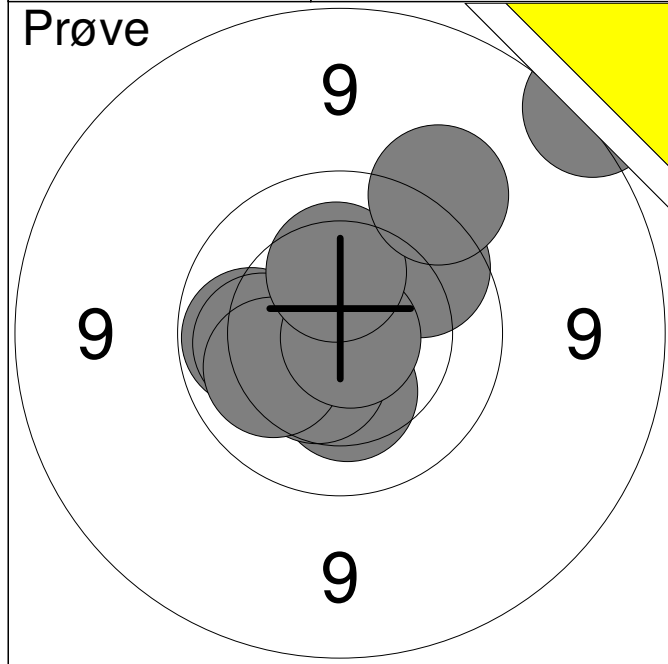
1:	9.5	↓
2:	10.7x	→
3:	10.6x	↘
4:	9.9	↓
5:	10.5	↓
6:	10.8x	↑
7:	10.6x	↖
8:	10.5x	↓
Serie		78.0
Total		0.0



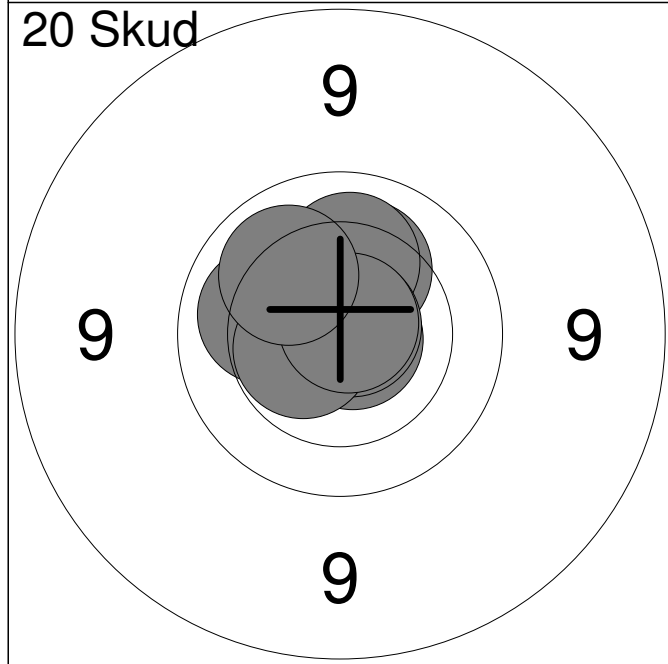
1:	10.6x	↓
2:	10.8x	↑
3:	10.3	↗
4:	10.5	↖
5:	10.7x	↑
6:	10.0	↘
7:	10.2	↓
8:	10.4	←
9:	10.2	↓
10:	10.7x	↓
Serie		100.0
Total		100.0



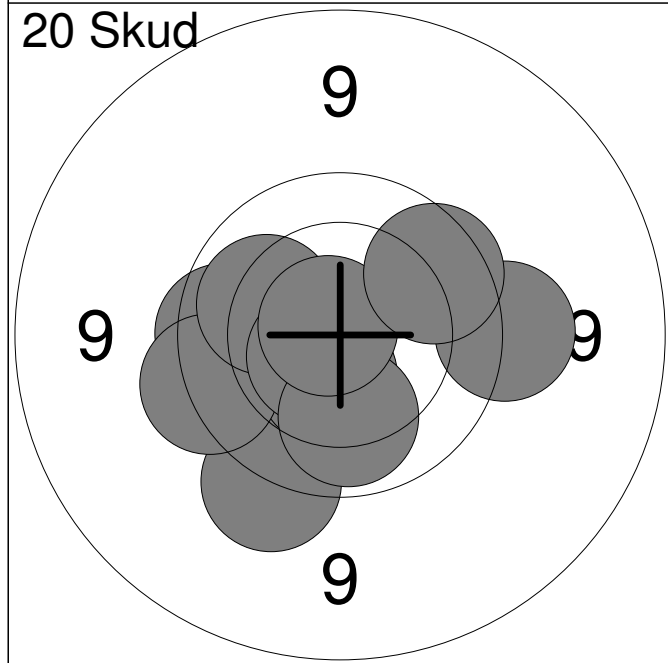
11:	10.8x	↖
12:	10.7x	↖
13:	10.7x	←
14:	10.5x	↑
15:	10.6x	←
16:	10.7x	←
17:	10.9x	←
18:	10.5	↖
19:	10.8x	←
20:	10.6x	↖
Serie		100.0
Total		200.0



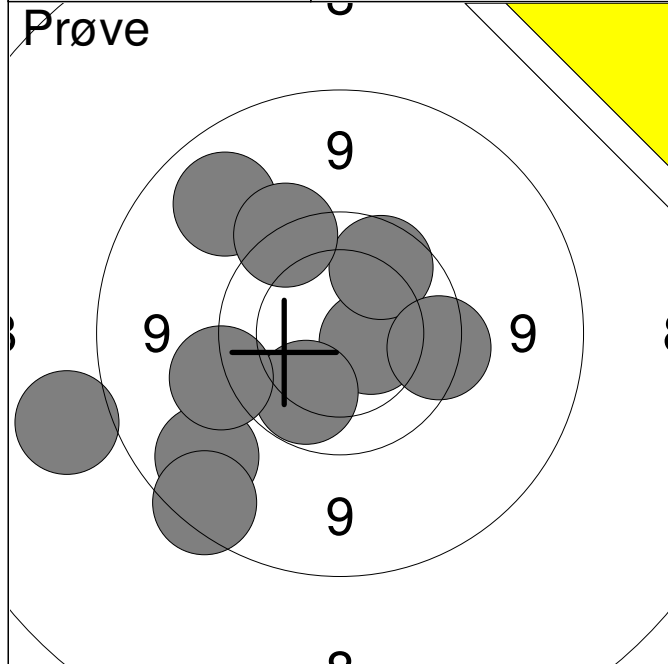
1:	10.0	←
2:	9.9	↗
3:	10.1	←
4:	8.6	↗
5:	10.3	↓
6:	10.5	↙
7:	10.1	←
8:	10.8x	→
9:	10.3	↑
10:	9.5	↗
Serie		96.0
Total		0.0



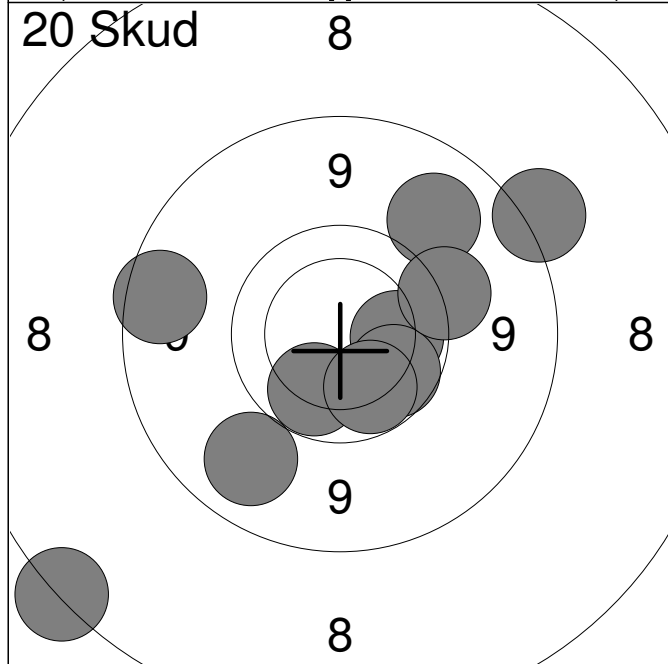
1:	10.2	↑
2:	10.2	↑
3:	10.8x	→
4:	10.6x	↖
5:	10.8x	↗
6:	10.4	↖
7:	10.1	←
8:	10.5x	←
9:	10.8x	↗
10:	10.1	↖
Serie		100.0
Total		100.0



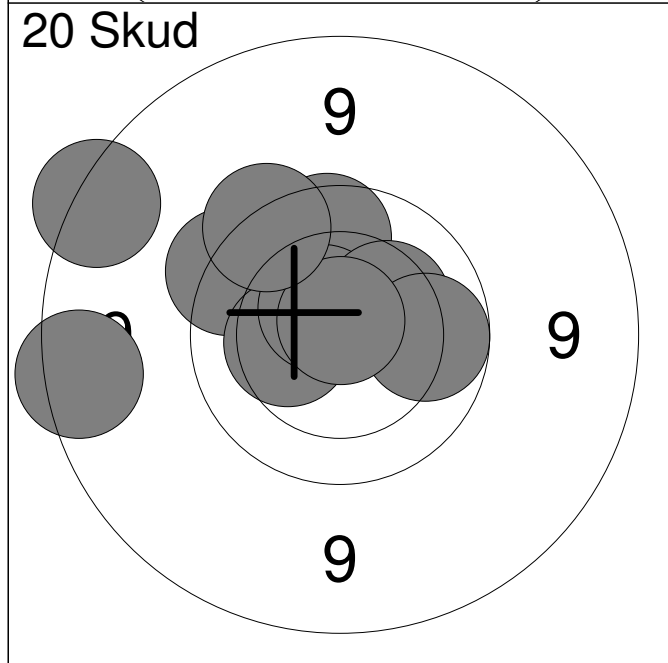
11:	9.5	↙
12:	9.8	←
13:	10.5	↓
14:	9.7	←
15:	9.5	→
16:	10.1	↖
17:	10.6x	↙
18:	10.1	↓
19:	10.8x	↗
20:	9.8	↗
Serie		95.0
Total		195.0



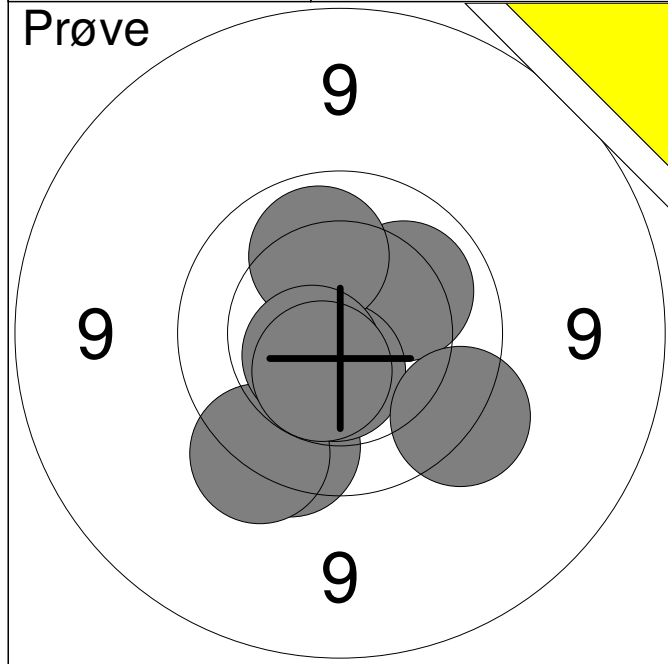
1:	9.0	↙
2:	8.4	←
3:	10.5	→
4:	9.1	↗
5:	9.9	↗
6:	9.6	↗
7:	8.8	↙
8:	9.7	→
9:	10.0	↙
10:	9.5	←
Serie		90.0
Total		0.0



1:	7.7	↙
2:	10.0	→
3:	10.0	↙
4:	9.2	↗
5:	9.9	↘
6:	9.5	→
7:	9.1	↙
8:	8.6	↗
9:	8.9	←
10:	10.0	↘
Serie		89.0
Total		89.0

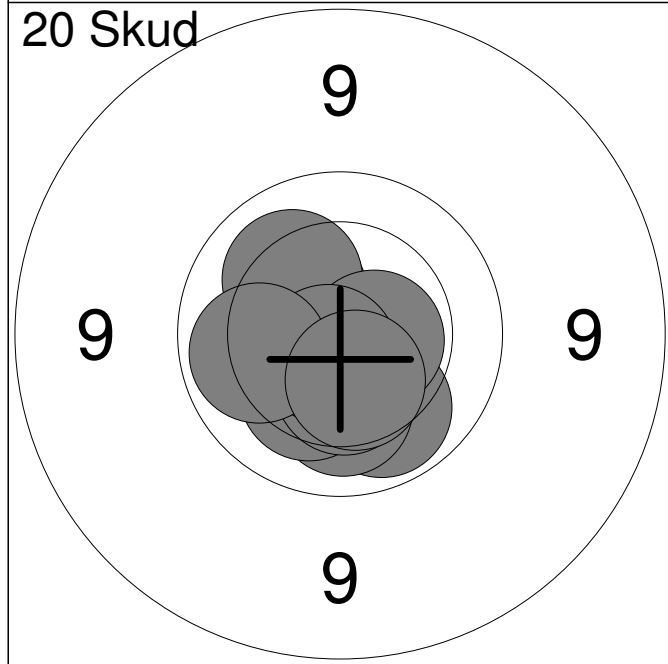


11:	9.9	↑
12:	9.7	↗
13:	10.3	←
14:	8.8	↗
15:	10.6x	↗
16:	10.3	↗
17:	9.9	→
18:	10.8x	↑
19:	8.8	←
20:	9.6	↗
Serie		92.0
Total		181.0



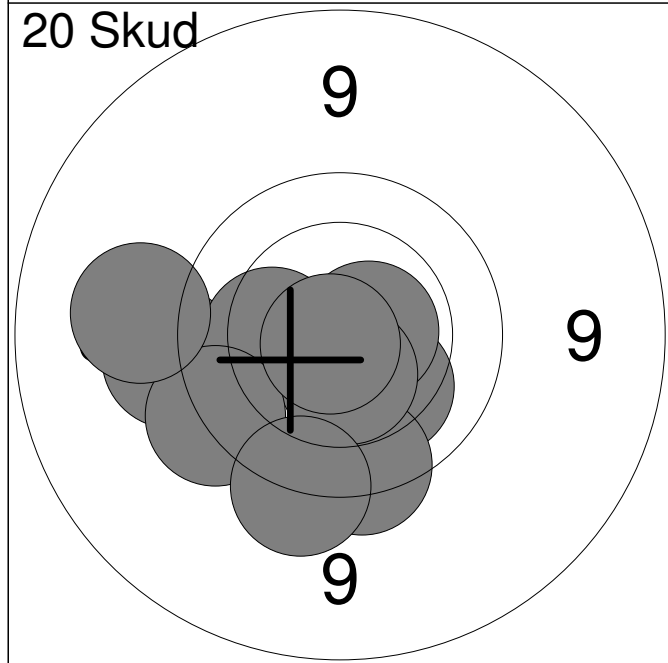
1:	9.8	↙
2:	10.1	↗
3:	10.5x	↘
4:	10.1	↗
5:	9.6	↘
6:	9.6	↘
7:	10.6x	↙
8:	10.5x	↘

Serie	77.0
Total	0.0



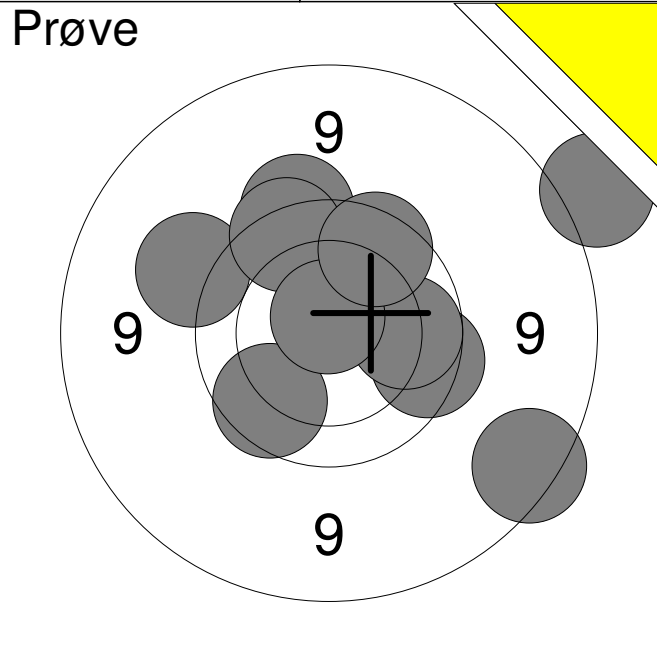
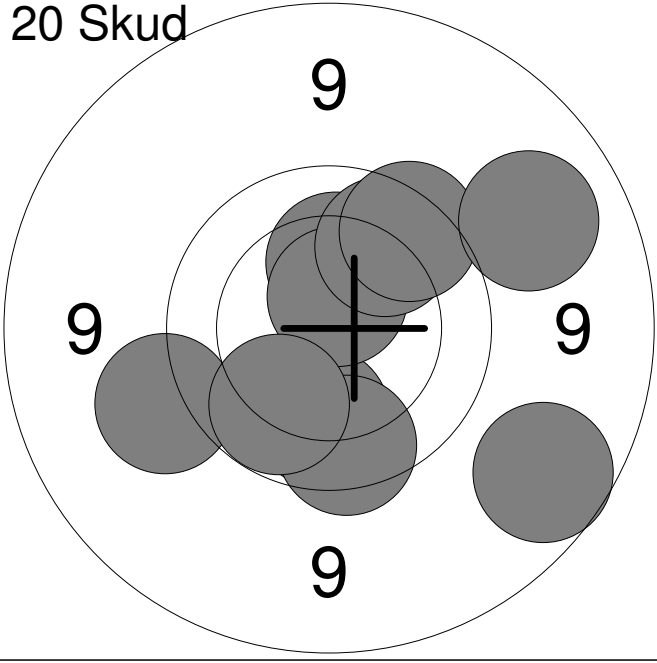
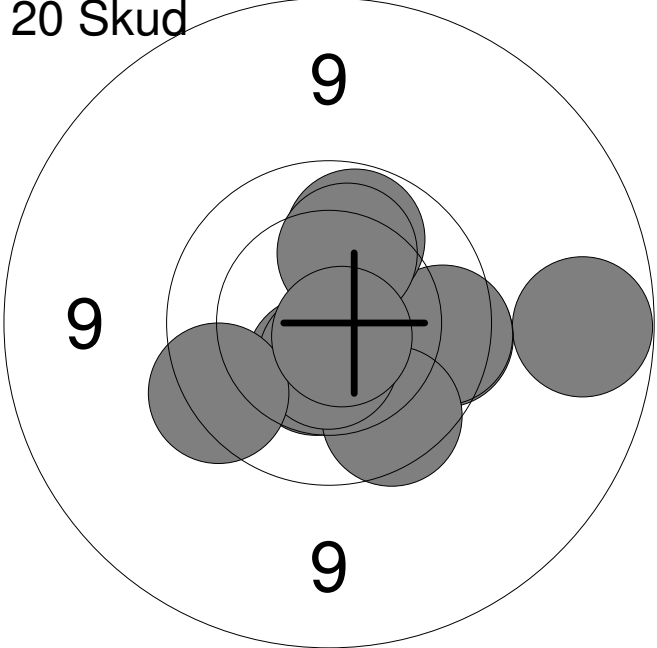
1:	10.3	↗
2:	10.0	↘
3:	10.2	↘
4:	10.2	↗
5:	10.6x	→
6:	10.2	↘
7:	10.4	↘
8:	10.7x	↘
9:	10.1	←
10:	10.4	↘

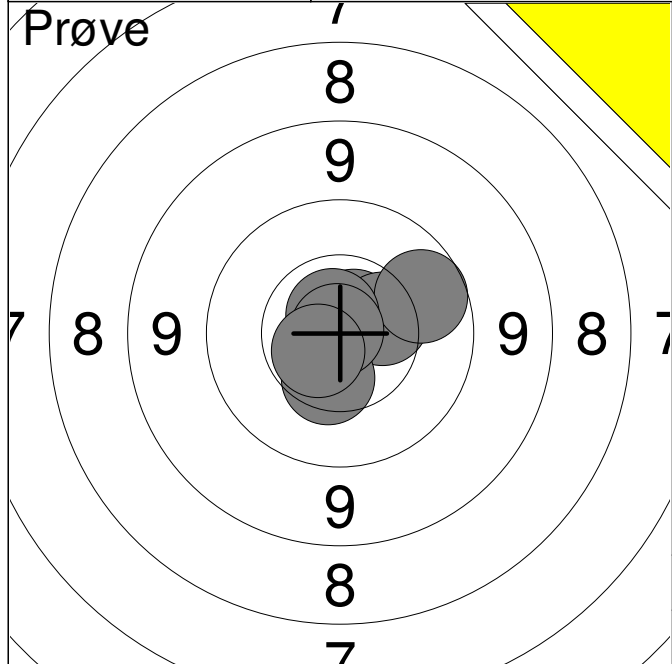
Serie	100.0
Total	100.0



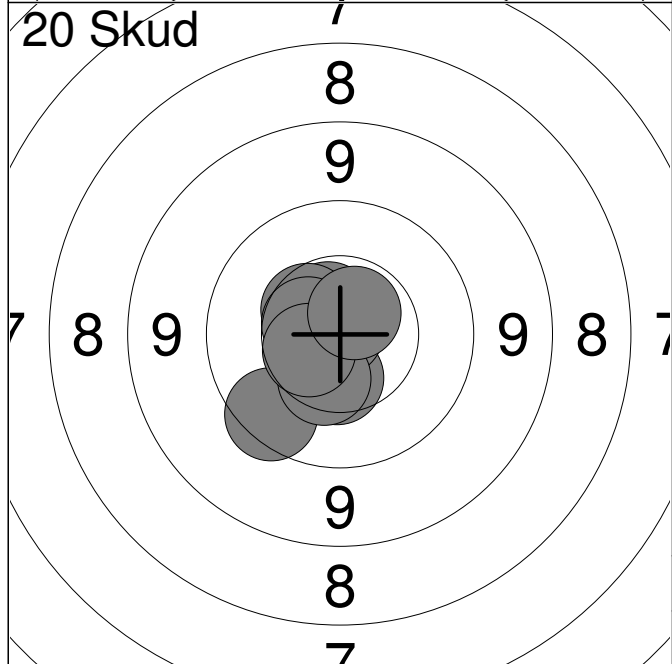
11:	10.2	↘
12:	9.5	←
13:	10.6x	→
14:	10.2	←
15:	9.7	↘
16:	10.5x	↘
17:	9.6	↙
18:	10.8x	↙
19:	9.6	↘
20:	9.3	←

Serie	95.0
Total	195.0

Hold	Skive	Lærke Iversen	
5	10	Vesterkæret	Frederikshavn Skyttekreds
		15m stævne oktober 2015	Aalborg Skyttekreds
Prøve 		1: 9.4 ↗ 2: 9.9 ↘ 3: 9.6 ↑ 4: 8.5 ↗ 5: 9.8 → 6: 9.7 ↑ 7: 9.9 → 8: 10.7x ↑ 9: 8.8 ↘ 10: 9.8 ↗	
		Serie	89.0
		Total	0.0
20 Skud 		1: 9.4 ↙ 2: 10.2 ↑ 3: 10.0 ↓ 4: 10.6x ↑ 5: 8.9 ↘ 6: 9.8 ↓ 7: 9.9 ↗ 8: 10.0 ↘ 9: 9.7 ↗ 10: 9.1 →	
		Serie	93.0
		Total	93.0
20 Skud 		11: 9.0 → 12: 9.8 → 13: 9.8 → 14: 10.0 ↑ 15: 10.5 ↓ 16: 9.8 ↓ 17: 10.6x ↓ 18: 10.2 ↑ 19: 9.7 ↙ 20: 10.8x ↘	
		Serie	95.0
		Total	188.0



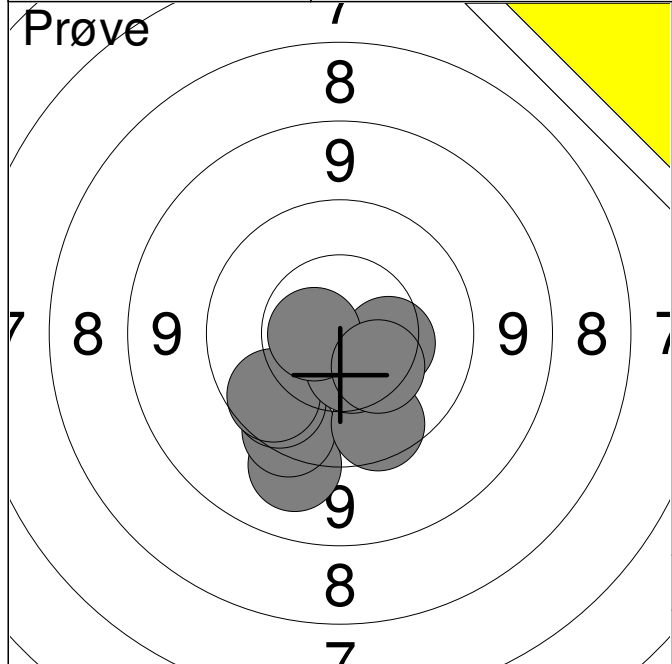
1:	10.7x	↗
2:	10.4	→
3:	9.9	→
4:	10.7x	↖
5:	10.4	↘
6:	10.9x	↖
7:	10.6x	↙
Serie		69.0
Total		0.0



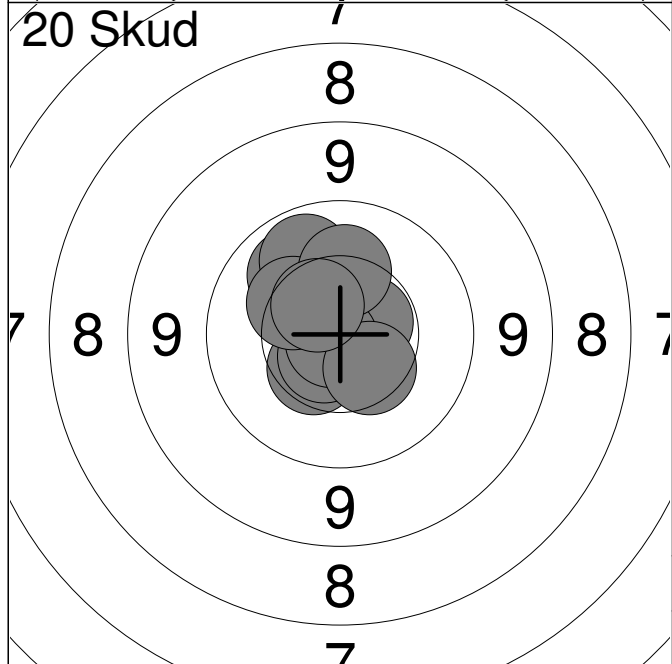
1:	9.7	↙
2:	10.8x	↑
3:	10.6x	↖
4:	10.4	↘
5:	10.5	↗
6:	10.9x	↖
7:	10.6	↖
8:	10.4	↘
9:	10.5	↙
10:	10.7x	↗
Serie		99.0
Total		99.0



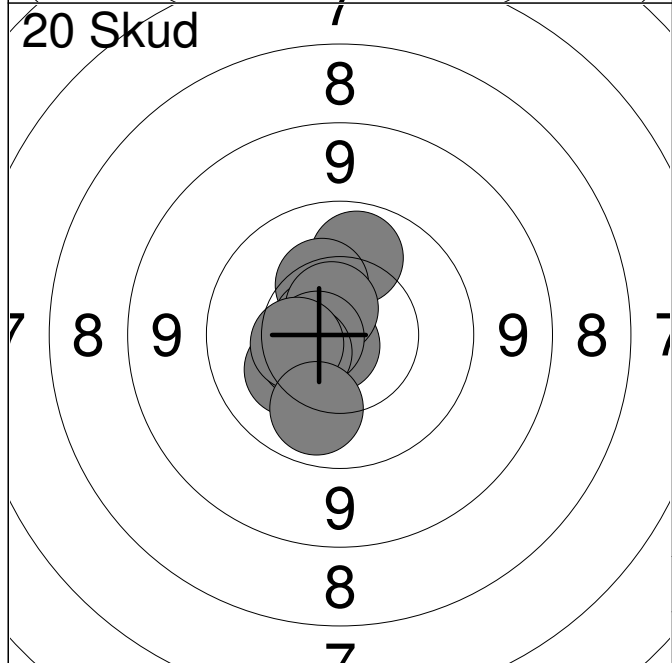
11:	10.7x	↑
12:	10.5	↑
13:	10.8x	→
14:	10.3	←
15:	10.5	→
16:	10.7x	↑
17:	10.7x	↑
18:	10.8x	↘
19:	10.7x	↖
20:	10.3	↖
Serie		100.0
Total		199.0



1:	9.3	↘
2:	9.7	↘
3:	9.9	↘
4:	9.9	↘
5:	9.8	↘
6:	10.5	↘
7:	10.4	→
8:	10.7x	←
9:	10.4	↘
Serie		85.0
Total		0.0



1:	10.5	↘
2:	10.6x	↘
3:	10.6x	→
4:	10.1	↗
5:	10.8x	↘
6:	10.0	↗
7:	10.3	↗
8:	10.2	↑
9:	10.4	↘
10:	10.5	↗
Serie		100.0
Total		100.0

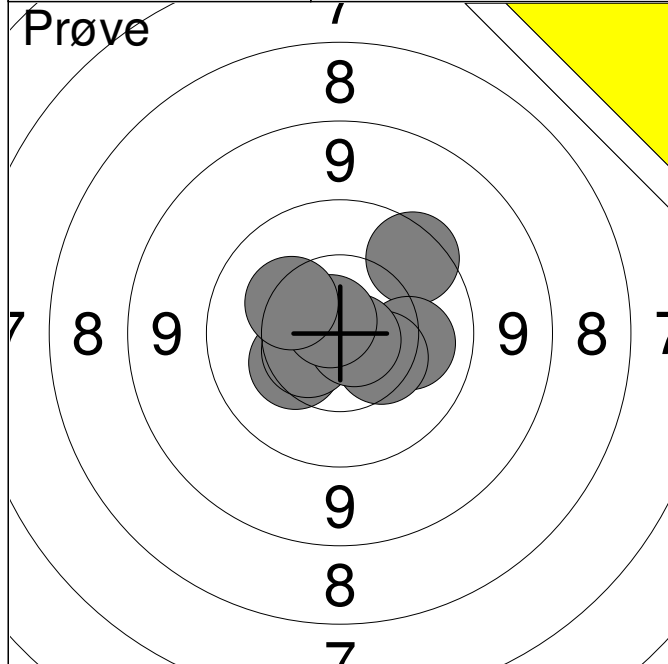


11:	10.0	↑
12:	10.3	↑
13:	10.8x	↘
14:	10.7x	↗
15:	10.6x	↗
16:	10.3	↘
17:	10.7x	←
18:	10.5	↘
19:	10.4	←
20:	10.1	↘
Serie		100.0
Total		200.0

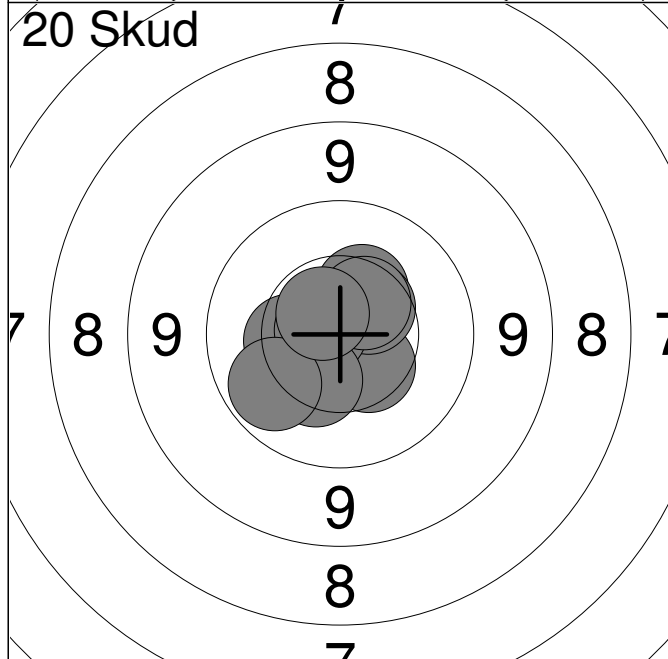
<p>Prøve</p>	<table style="width:100%; border-collapse: collapse;"> <tr><td style="width:10%;">1:</td><td style="width:80%;">10.7x</td><td style="width:10%; text-align: right;">→</td></tr> <tr><td>2:</td><td>10.1</td><td style="text-align: right;">↓</td></tr> <tr><td>3:</td><td>10.3</td><td style="text-align: right;">←</td></tr> <tr><td>4:</td><td>10.4</td><td style="text-align: right;">↙</td></tr> <tr><td>5:</td><td>10.2</td><td style="text-align: right;">←</td></tr> <tr><td>6:</td><td>10.0</td><td style="text-align: right;">→</td></tr> <tr><td>7:</td><td>10.8x</td><td style="text-align: right;">↓</td></tr> </table>	1:	10.7x	→	2:	10.1	↓	3:	10.3	←	4:	10.4	↙	5:	10.2	←	6:	10.0	→	7:	10.8x	↓
1:	10.7x	→																				
2:	10.1	↓																				
3:	10.3	←																				
4:	10.4	↙																				
5:	10.2	←																				
6:	10.0	→																				
7:	10.8x	↓																				
<table style="width:100%; border-collapse: collapse;"> <tr> <td style="width:80%;">Serie</td> <td style="text-align: right;">70.0</td> </tr> <tr> <td>Total</td> <td style="text-align: right;">0.0</td> </tr> </table>		Serie	70.0	Total	0.0																	
Serie	70.0																					
Total	0.0																					

<p>20 Skud</p>	<table style="width:100%; border-collapse: collapse;"> <tr><td style="width:10%;">1:</td><td style="width:80%;">10.2</td><td style="width:10%; text-align: right;">↑</td></tr> <tr><td>2:</td><td>9.9</td><td style="text-align: right;">↑</td></tr> <tr><td>3:</td><td>9.8</td><td style="text-align: right;">↓</td></tr> <tr><td>4:</td><td>9.9</td><td style="text-align: right;">↙</td></tr> <tr><td>5:</td><td>10.2</td><td style="text-align: right;">↙</td></tr> <tr><td>6:</td><td>10.6x</td><td style="text-align: right;">↑</td></tr> <tr><td>7:</td><td>10.6x</td><td style="text-align: right;">↑</td></tr> <tr><td>8:</td><td>10.5x</td><td style="text-align: right;">↓</td></tr> <tr><td>9:</td><td>9.9</td><td style="text-align: right;">↑</td></tr> <tr><td>10:</td><td>10.2</td><td style="text-align: right;">→</td></tr> </table>	1:	10.2	↑	2:	9.9	↑	3:	9.8	↓	4:	9.9	↙	5:	10.2	↙	6:	10.6x	↑	7:	10.6x	↑	8:	10.5x	↓	9:	9.9	↑	10:	10.2	→
1:	10.2	↑																													
2:	9.9	↑																													
3:	9.8	↓																													
4:	9.9	↙																													
5:	10.2	↙																													
6:	10.6x	↑																													
7:	10.6x	↑																													
8:	10.5x	↓																													
9:	9.9	↑																													
10:	10.2	→																													
<table style="width:100%; border-collapse: collapse;"> <tr> <td style="width:80%;">Serie</td> <td style="text-align: right;">96.0</td> </tr> <tr> <td>Total</td> <td style="text-align: right;">96.0</td> </tr> </table>		Serie	96.0	Total	96.0																										
Serie	96.0																														
Total	96.0																														

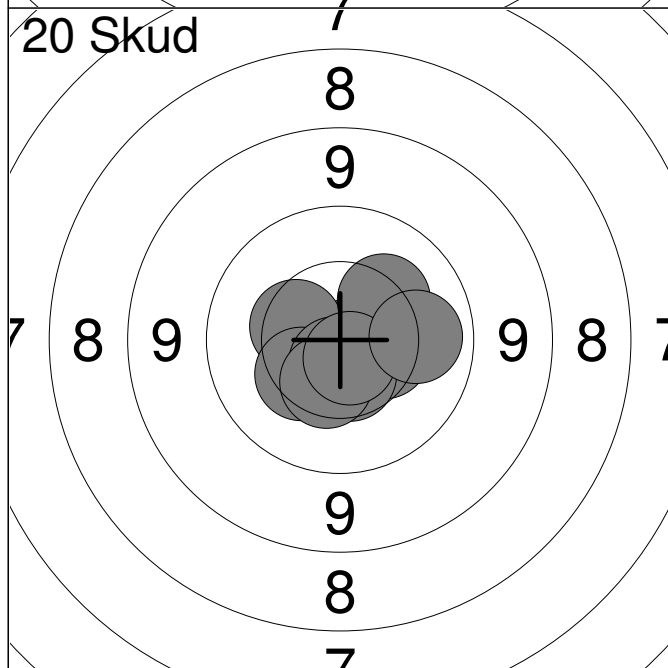
<p>20 Skud</p>	<table style="width:100%; border-collapse: collapse;"> <tr><td style="width:10%;">11:</td><td style="width:80%;">10.1</td><td style="width:10%; text-align: right;">↙</td></tr> <tr><td>12:</td><td>10.9x</td><td style="text-align: right;">↙</td></tr> <tr><td>13:</td><td>10.3</td><td style="text-align: right;">→</td></tr> <tr><td>14:</td><td>10.2</td><td style="text-align: right;">↑</td></tr> <tr><td>15:</td><td>10.7x</td><td style="text-align: right;">↑</td></tr> <tr><td>16:</td><td>10.7x</td><td style="text-align: right;">↓</td></tr> <tr><td>17:</td><td>10.6x</td><td style="text-align: right;">↑</td></tr> <tr><td>18:</td><td>10.2</td><td style="text-align: right;">→</td></tr> <tr><td>19:</td><td>10.1</td><td style="text-align: right;">↑</td></tr> <tr><td>20:</td><td>10.1</td><td style="text-align: right;">←</td></tr> </table>	11:	10.1	↙	12:	10.9x	↙	13:	10.3	→	14:	10.2	↑	15:	10.7x	↑	16:	10.7x	↓	17:	10.6x	↑	18:	10.2	→	19:	10.1	↑	20:	10.1	←
11:	10.1	↙																													
12:	10.9x	↙																													
13:	10.3	→																													
14:	10.2	↑																													
15:	10.7x	↑																													
16:	10.7x	↓																													
17:	10.6x	↑																													
18:	10.2	→																													
19:	10.1	↑																													
20:	10.1	←																													
<table style="width:100%; border-collapse: collapse;"> <tr> <td style="width:80%;">Serie</td> <td style="text-align: right;">100.0</td> </tr> <tr> <td>Total</td> <td style="text-align: right;">196.0</td> </tr> </table>		Serie	100.0	Total	196.0																										
Serie	100.0																														
Total	196.0																														



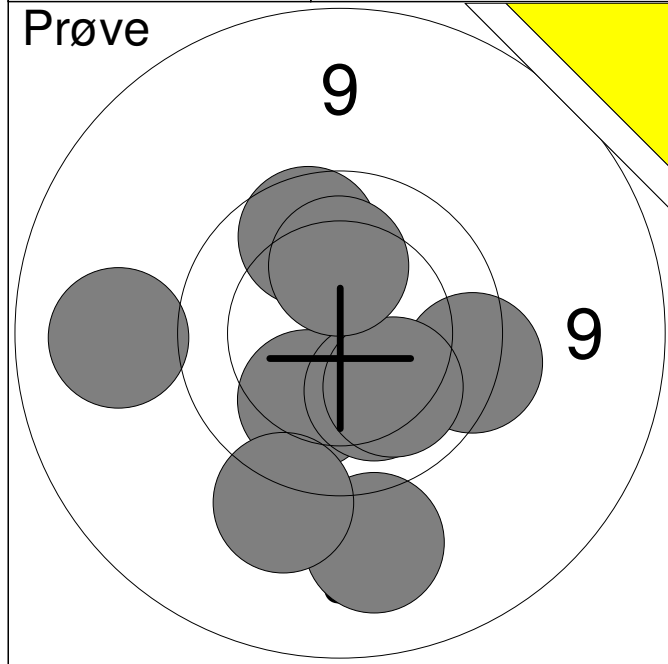
1:	9.7	↗
2:	10.1	→
3:	10.3	↖
4:	10.4	↘
5:	10.5	↖
6:	10.8x	↘
7:	10.8x	↗
8:	10.3	↗
Serie		79.0
Total		0.0



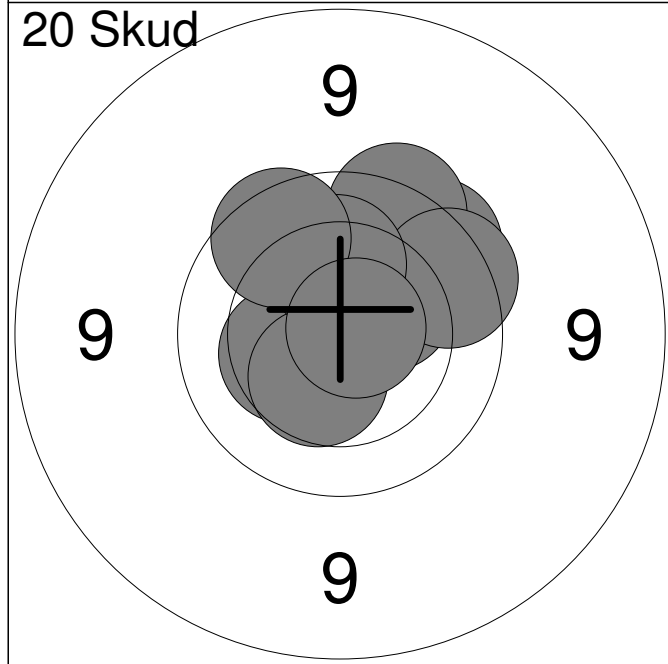
1:	10.4	↗
2:	10.6x	↖
3:	10.5	↘
4:	10.4	←
5:	10.5	↗
6:	10.7x	←
7:	10.5	↗
8:	10.3	↘
9:	10.0	↖
10:	10.6x	↗
Serie		100.0
Total		100.0



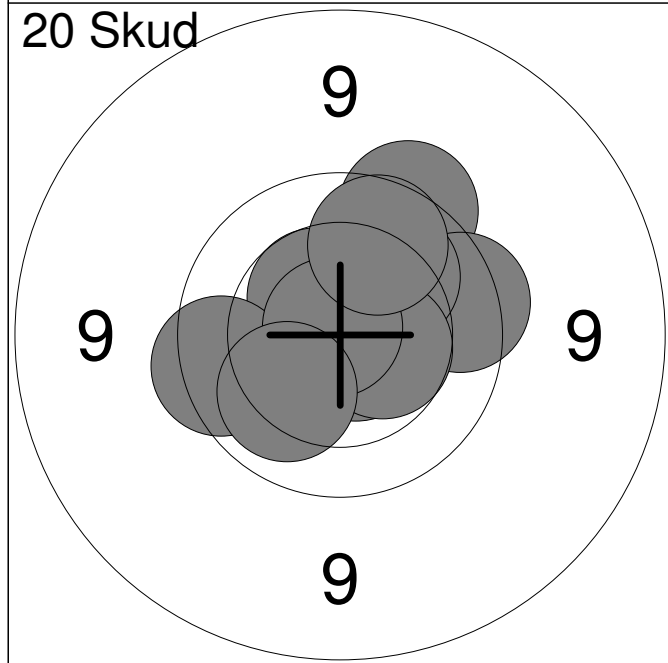
11:	10.8x	↘
12:	10.4	→
13:	10.4	↖
14:	10.3	↗
15:	10.4	↖
16:	10.7x	↘
17:	10.5	↘
18:	10.4	↘
19:	10.7x	↘
20:	10.1	→
Serie		100.0
Total		200.0



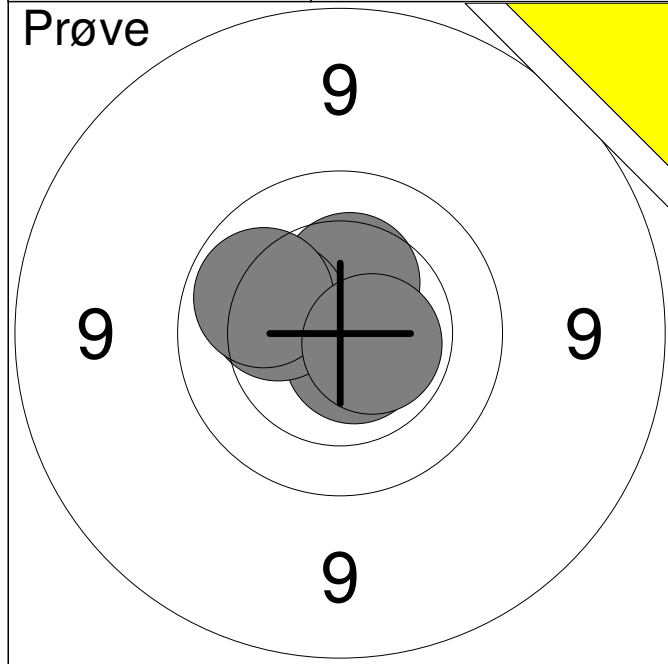
1:	9.2	↓
2:	10.1	↙
3:	10.2	↘
4:	9.7	→
5:	9.4	↘
6:	10.1	↘
7:	9.2	←
8:	9.9	↑
9:	10.2	↑
Serie		85.0
Total		0.0



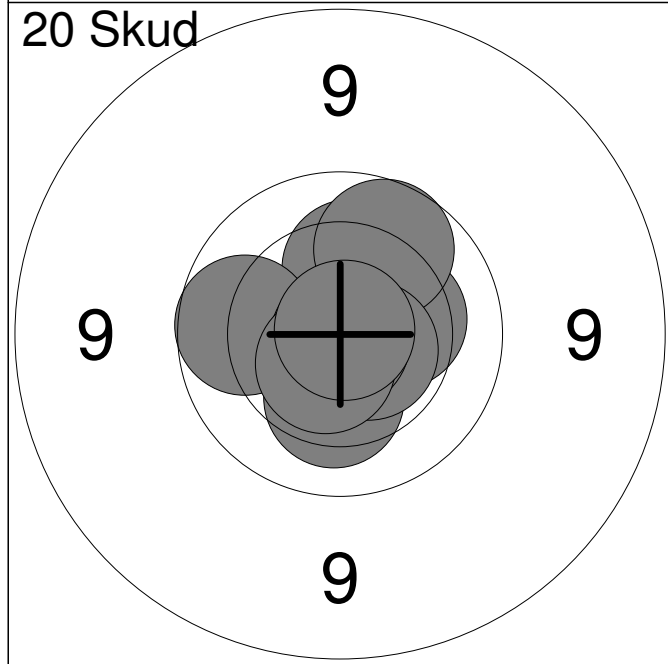
1:	9.7	↗
2:	10.7x	←
3:	10.4	↗
4:	10.4	←
5:	9.7	↑
6:	9.8	↗
7:	10.4	↘
8:	10.2	↑
9:	9.8	↗
10:	10.8x	→
Serie		96.0
Total		96.0



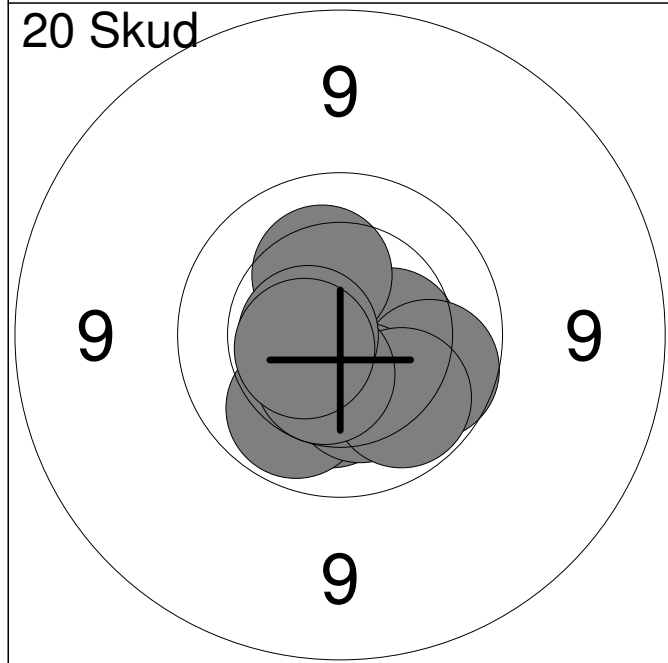
11:	9.6	↗
12:	10.5	↗
13:	9.8	←
14:	9.8	→
15:	10.7x	↘
16:	10.1	↗
17:	10.5	→
18:	10.8x	↗
19:	9.9	↑
20:	10.1	↙
Serie		96.0
Total		192.0



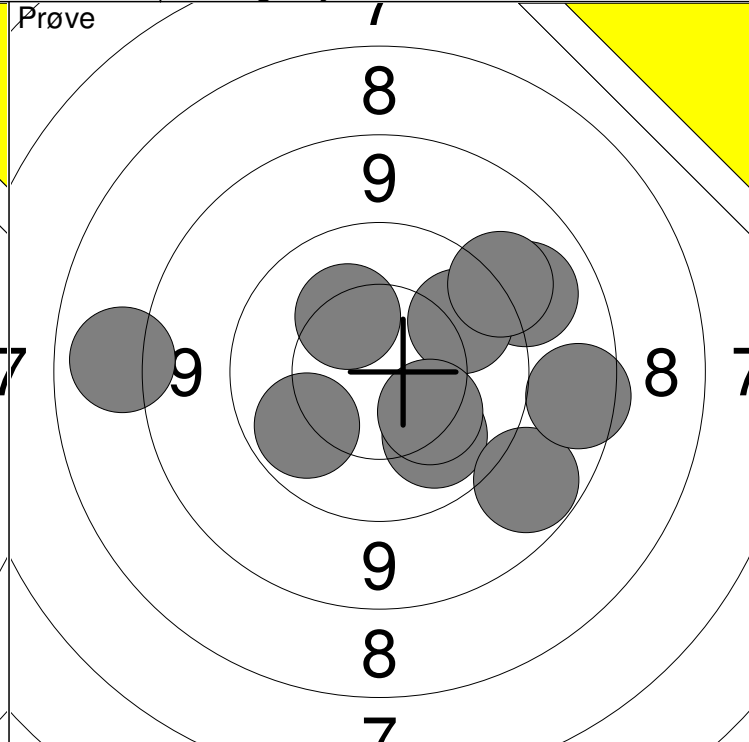
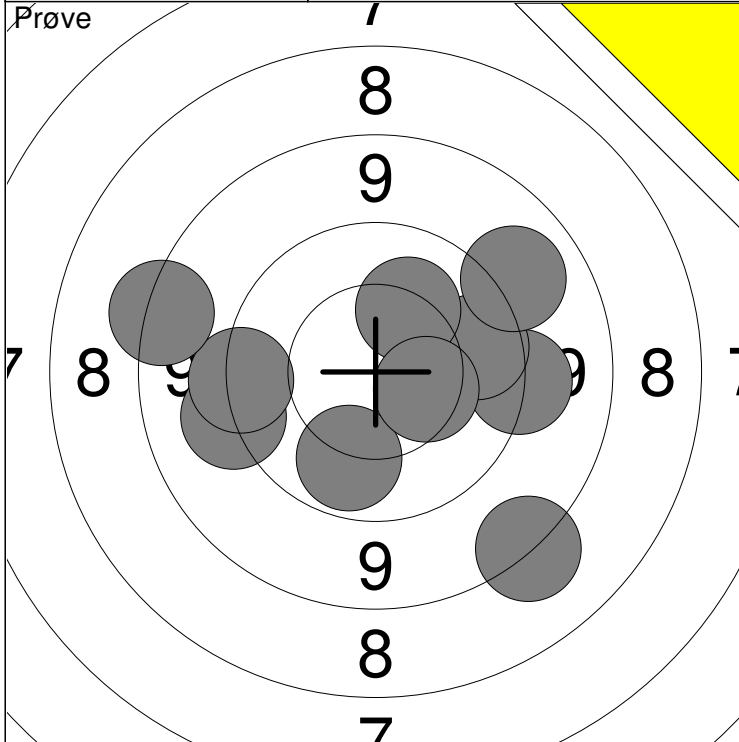
	1:	10.4	↑
	2:	10.7x	↓
	3:	10.2	↖
	4:	10.0	↖
	5:	10.6x	→
Serie			50.0
Total			0.0



	1:	10.6x	↗
	2:	10.2	↑
	3:	10.3	→
	4:	9.9	↖
	5:	9.9	←
	6:	10.3	↓
	7:	10.6x	→
	8:	10.9x	↓
	9:	10.6x	↙
	10:	10.9x	↗
Serie			98.0
Total			98.0

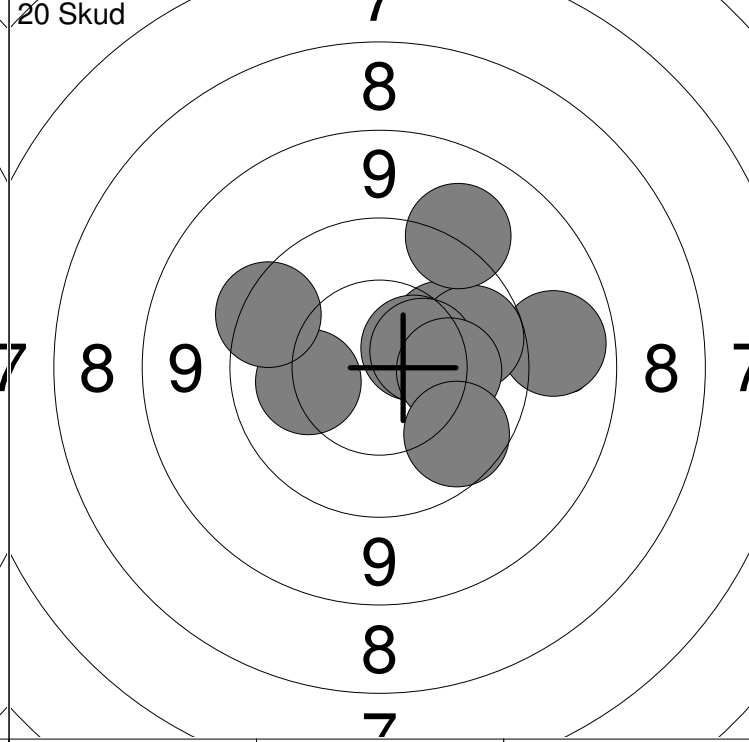
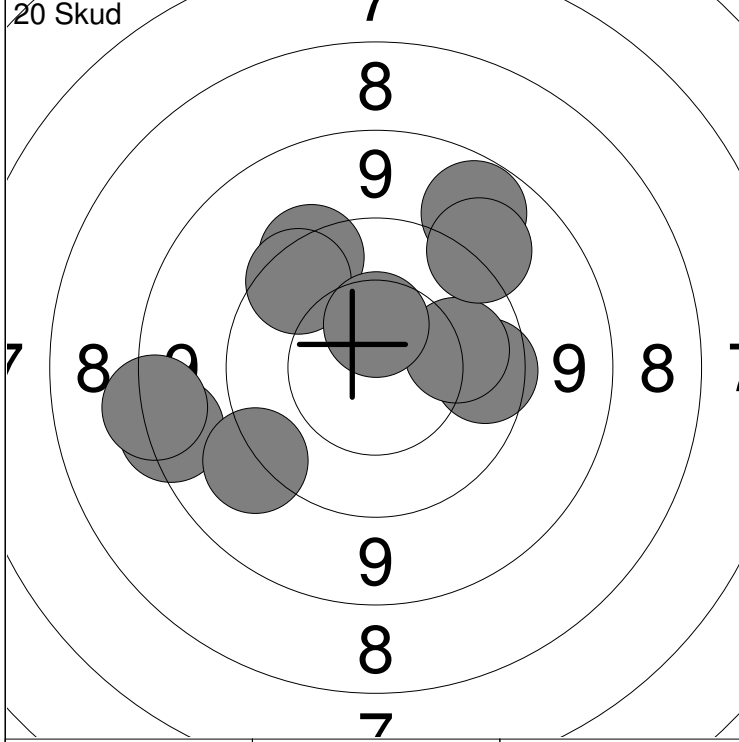


	11:	10.4	→
	12:	10.3	↑
	13:	10.3	↓
	14:	10.0	↙
	15:	9.9	→
	16:	10.3	↓
	17:	10.0	↙
	18:	10.5x	↙
	19:	10.6x	←
	20:	10.5x	←
Serie			99.0
Total			197.0



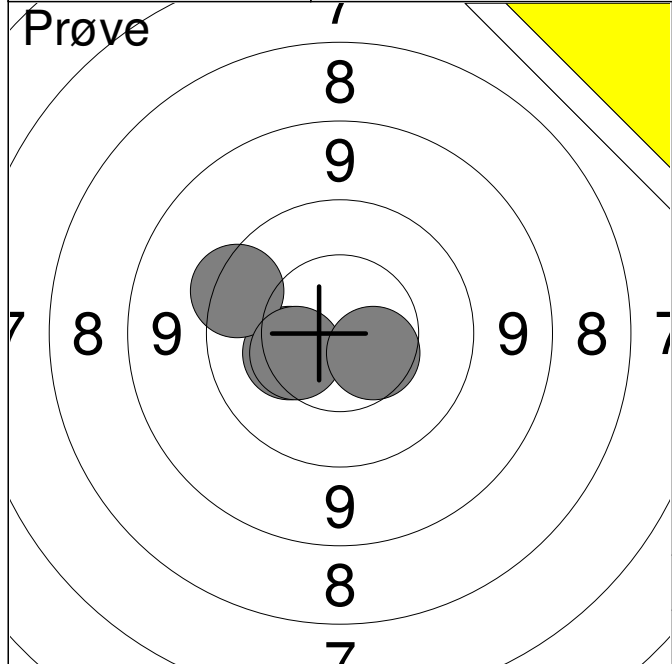
1: 8.4 ↘	6: 9.2 ↗	Serie	91
2: 9.4 →	7: 10.4 →		
3: 10.0 ↓	8: 9.4 ←	Total	0
4: 9.9 →	9: 9.5 ←		
5: 10.2 ↗	10: 8.5 ←		

11: 10.1 ↘	16: 10.0 ↗	Serie	93
12: 10.0 ↙	17: 10.3 ↘		
13: 9.0 ↘	18: 9.3 ↗	Total	0
14: 8.8 →	19: 8.1 ←		
15: 9.2 ↗	20: 10.3 ↖		

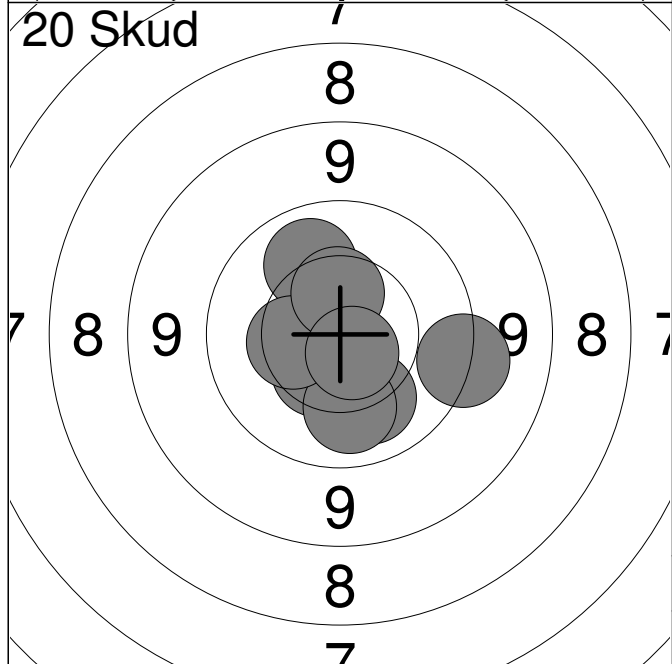


1: 9.8 →	6: 8.5 ←	Serie	90
2: 10.1 →	7: 9.3 ↙		
3: 9.6 ↗	8: 10.5 ↑	Total	90
4: 9.7 ↗	9: 9.0 ↗		
5: 8.6 ←	10: 9.3 ↗		

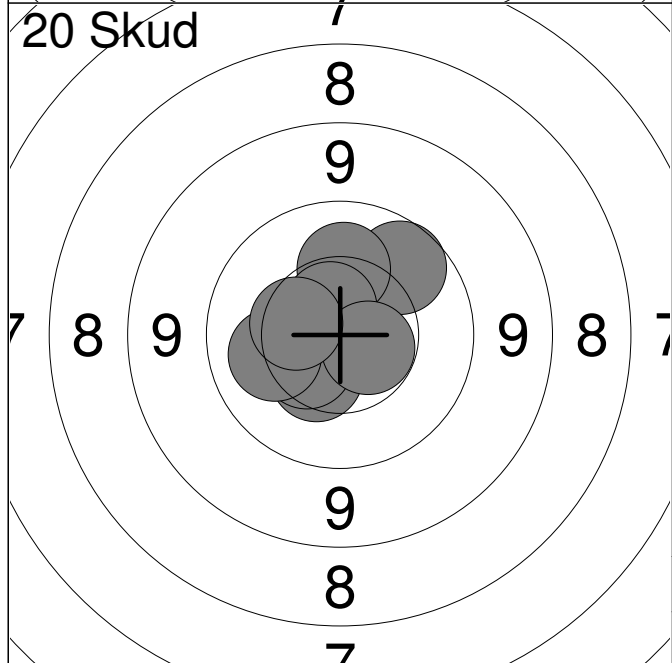
11: 10.2 ↗	16: 10.2 →	Serie	96
12: 9.1 →	17: 10.2 ←		
13: 10.5 ↗	18: 9.6 ↙	Total	186
14: 10.0 →	19: 9.3 ↗		
15: 10.5 ↗	20: 9.9 ↘		



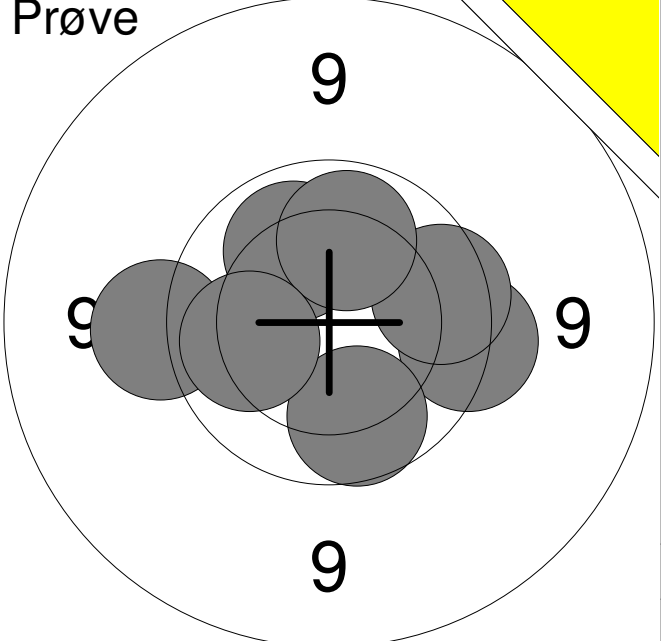
1:	10.3	↙
2:	9.6	↖
3:	10.4	↙
4:	10.5	↘
Serie		39.0
Total		0.0

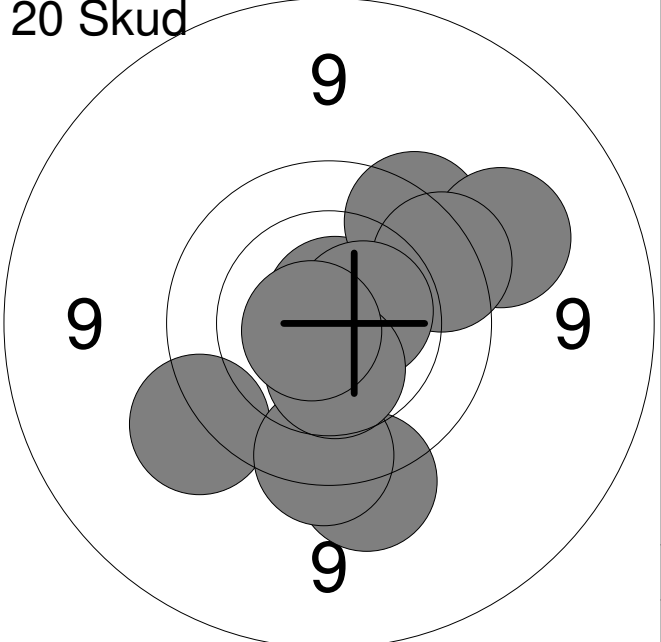


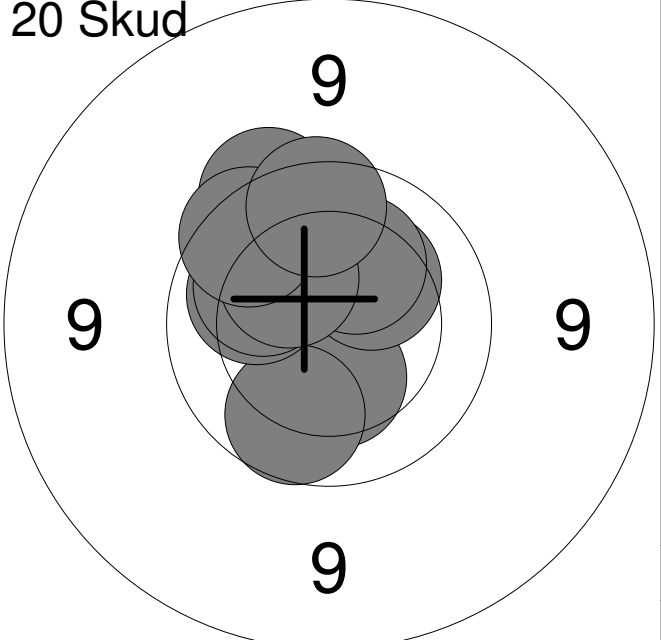
1:	10.1	↘
2:	9.4	→
3:	10.5	↘
4:	10.5	↙
5:	10.8x	←
6:	10.1	↘
7:	10.1	↗
8:	10.4	←
9:	10.5	↑
10:	10.7x	↘
Serie		99.0
Total		99.0

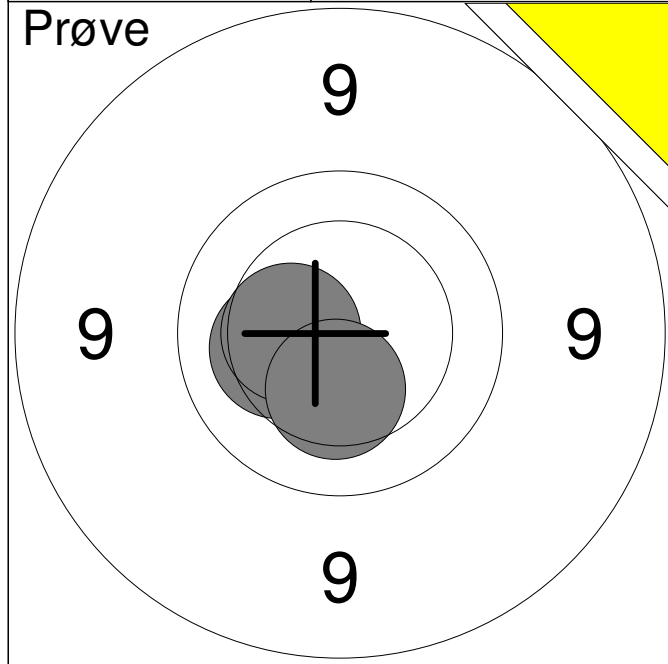


11:	10.6x	↙
12:	10.7x	↑
13:	9.9	↗
14:	10.4	↙
15:	10.5	↙
16:	10.2	↑
17:	10.6x	↗
18:	10.2	←
19:	10.6x	↘
20:	10.4	←
Serie		99.0
Total		198.0

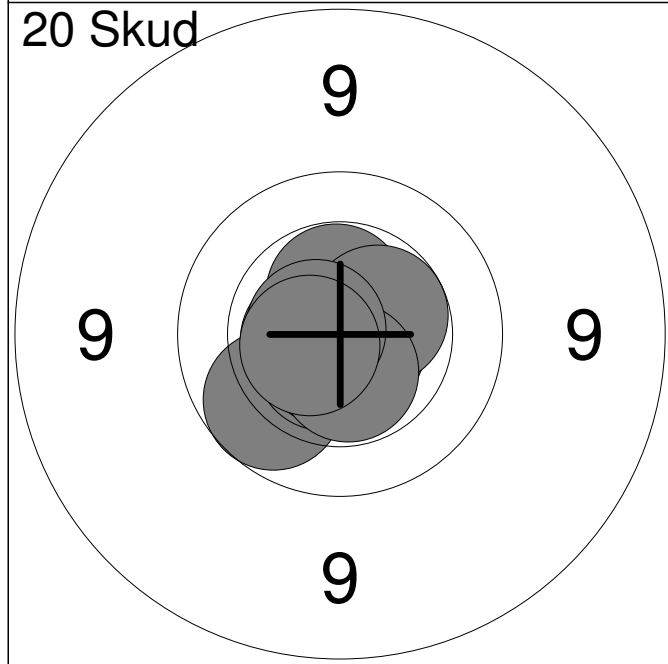
<p>Prøve</p> 	<table style="width:100%; border-collapse: collapse;"> <tr><td style="width:10%;">1:</td><td style="width:70%;">9.7</td><td style="width:20%; text-align: center;">→</td></tr> <tr><td>2:</td><td>10.1</td><td style="text-align: center;">↗</td></tr> <tr><td>3:</td><td>9.5</td><td style="text-align: center;">←</td></tr> <tr><td>4:</td><td>9.9</td><td style="text-align: center;">↓</td></tr> <tr><td>5:</td><td>9.8</td><td style="text-align: center;">→</td></tr> <tr><td>6:</td><td>10.0</td><td style="text-align: center;">↗</td></tr> <tr><td>7:</td><td>10.1</td><td style="text-align: center;">←</td></tr> </table>	1:	9.7	→	2:	10.1	↗	3:	9.5	←	4:	9.9	↓	5:	9.8	→	6:	10.0	↗	7:	10.1	←
1:	9.7	→																				
2:	10.1	↗																				
3:	9.5	←																				
4:	9.9	↓																				
5:	9.8	→																				
6:	10.0	↗																				
7:	10.1	←																				
	<table border="1" style="width:100%; border-collapse: collapse;"> <tr> <td style="width:80%;">Serie</td> <td style="text-align: right;">66.0</td> </tr> <tr> <td>Total</td> <td style="text-align: right;">0.0</td> </tr> </table>	Serie	66.0	Total	0.0																	
Serie	66.0																					
Total	0.0																					

<p>20 Skud</p> 	<table style="width:100%; border-collapse: collapse;"> <tr><td style="width:10%;">1:</td><td style="width:70%;">10.8x</td><td style="width:20%; text-align: center;">↗</td></tr> <tr><td>2:</td><td>9.7</td><td style="text-align: center;">↗</td></tr> <tr><td>3:</td><td>9.5</td><td style="text-align: center;">↓</td></tr> <tr><td>4:</td><td>9.3</td><td style="text-align: center;">↗</td></tr> <tr><td>5:</td><td>9.7</td><td style="text-align: center;">↗</td></tr> <tr><td>6:</td><td>9.5</td><td style="text-align: center;">↖</td></tr> <tr><td>7:</td><td>9.7</td><td style="text-align: center;">↓</td></tr> <tr><td>8:</td><td>10.6x</td><td style="text-align: center;">→</td></tr> <tr><td>9:</td><td>10.5</td><td style="text-align: center;">↓</td></tr> <tr><td>10:</td><td>10.7x</td><td style="text-align: center;">↖</td></tr> </table>	1:	10.8x	↗	2:	9.7	↗	3:	9.5	↓	4:	9.3	↗	5:	9.7	↗	6:	9.5	↖	7:	9.7	↓	8:	10.6x	→	9:	10.5	↓	10:	10.7x	↖
1:	10.8x	↗																													
2:	9.7	↗																													
3:	9.5	↓																													
4:	9.3	↗																													
5:	9.7	↗																													
6:	9.5	↖																													
7:	9.7	↓																													
8:	10.6x	→																													
9:	10.5	↓																													
10:	10.7x	↖																													
	<table border="1" style="width:100%; border-collapse: collapse;"> <tr> <td style="width:80%;">Serie</td> <td style="text-align: right;">94.0</td> </tr> <tr> <td>Total</td> <td style="text-align: right;">94.0</td> </tr> </table>	Serie	94.0	Total	94.0																										
Serie	94.0																														
Total	94.0																														

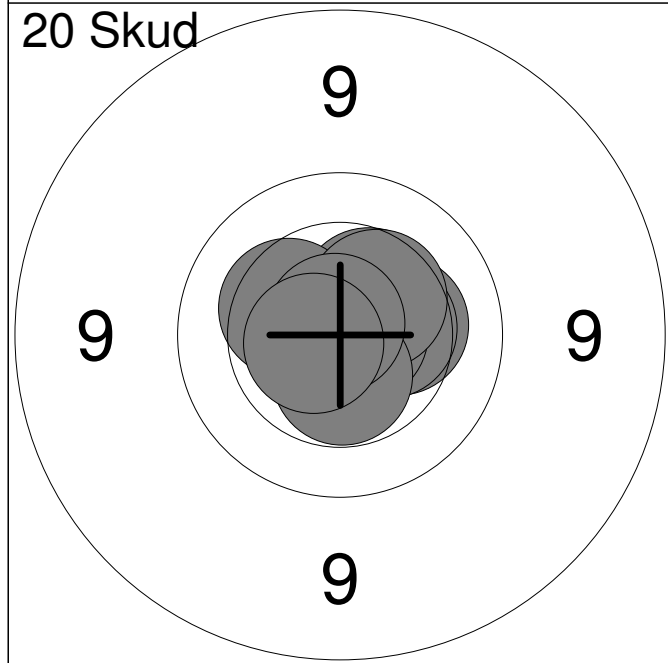
<p>20 Skud</p> 	<table style="width:100%; border-collapse: collapse;"> <tr><td style="width:10%;">11:</td><td style="width:70%;">10.4</td><td style="width:20%; text-align: center;">↓</td></tr> <tr><td>12:</td><td>9.9</td><td style="text-align: center;">↓</td></tr> <tr><td>13:</td><td>10.1</td><td style="text-align: center;">↖</td></tr> <tr><td>14:</td><td>10.3</td><td style="text-align: center;">↗</td></tr> <tr><td>15:</td><td>10.1</td><td style="text-align: center;">↖</td></tr> <tr><td>16:</td><td>10.2</td><td style="text-align: center;">↗</td></tr> <tr><td>17:</td><td>9.7</td><td style="text-align: center;">↗</td></tr> <tr><td>18:</td><td>10.3</td><td style="text-align: center;">↗</td></tr> <tr><td>19:</td><td>9.8</td><td style="text-align: center;">↗</td></tr> <tr><td>20:</td><td>9.8</td><td style="text-align: center;">↗</td></tr> </table>	11:	10.4	↓	12:	9.9	↓	13:	10.1	↖	14:	10.3	↗	15:	10.1	↖	16:	10.2	↗	17:	9.7	↗	18:	10.3	↗	19:	9.8	↗	20:	9.8	↗
11:	10.4	↓																													
12:	9.9	↓																													
13:	10.1	↖																													
14:	10.3	↗																													
15:	10.1	↖																													
16:	10.2	↗																													
17:	9.7	↗																													
18:	10.3	↗																													
19:	9.8	↗																													
20:	9.8	↗																													
	<table border="1" style="width:100%; border-collapse: collapse;"> <tr> <td style="width:80%;">Serie</td> <td style="text-align: right;">96.0</td> </tr> <tr> <td>Total</td> <td style="text-align: right;">190.0</td> </tr> </table>	Serie	96.0	Total	190.0																										
Serie	96.0																														
Total	190.0																														



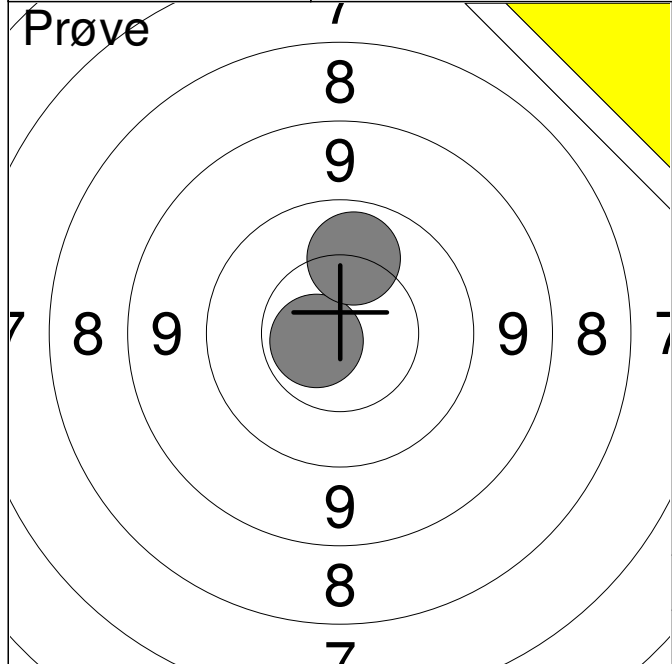
	1:	10.3	←
	2:	10.4	←
	3:	10.3	↓
Serie			30.0
Total			0.0



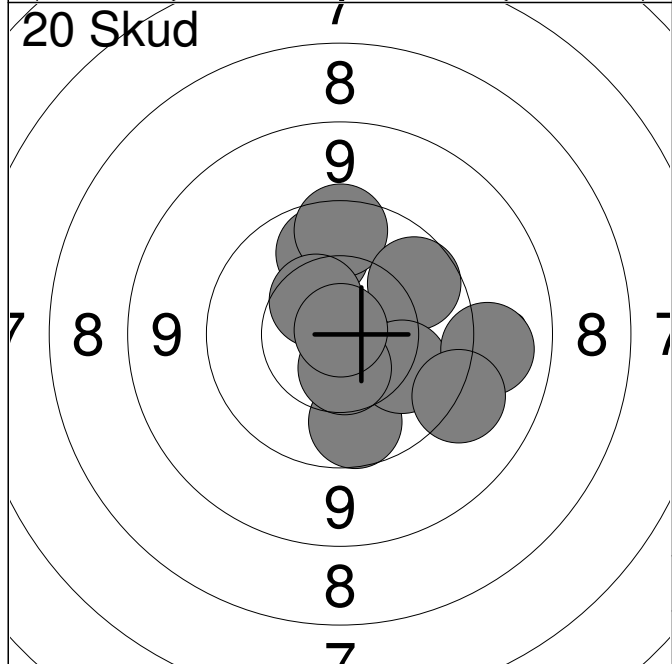
	1:	9.9	↙
	2:	10.5x	↑
	3:	10.6x	↙
	4:	10.7x	↘
	5:	10.7x	↙
	6:	10.6x	←
	7:	10.5x	↗
	8:	10.5x	↓
	9:	10.7x	←
	10:	10.6x	↙
Serie			99.0
Total			99.0



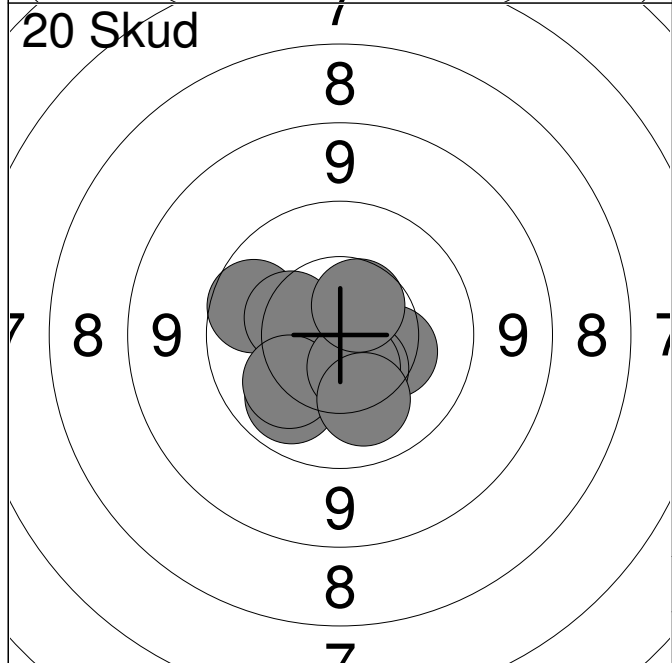
	11:	10.3	→
	12:	10.4	↗
	13:	10.4	→
	14:	10.8x	→
	15:	10.8x	↙
	16:	10.3	↖
	17:	10.4	↗
	18:	10.5x	↓
	19:	10.8x	↖
	20:	10.7x	←
Serie			100.0
Total			199.0



	1:	10.7x	←
	2:	10.1	↑
Serie			20.0
Total			0.0



	1:	10.0	↑
	2:	9.7	↑
	3:	9.9	↓
	4:	10.5	↗
	5:	9.9	↗
	6:	10.1	↘
	7:	9.2	→
	8:	9.3	↘
	9:	10.6	↓
	10:	10.9x	↑
Serie			95.0
Total			95.0



	11:	10.6x	↓
	12:	9.9	↖
	13:	10.3	↖
	14:	10.3	→
	15:	10.0	↘
	16:	10.5	↘
	17:	10.2	↖
	18:	10.5	↓
	19:	10.6	↗
	20:	10.2	↓
Serie			99.0
Total			194.0