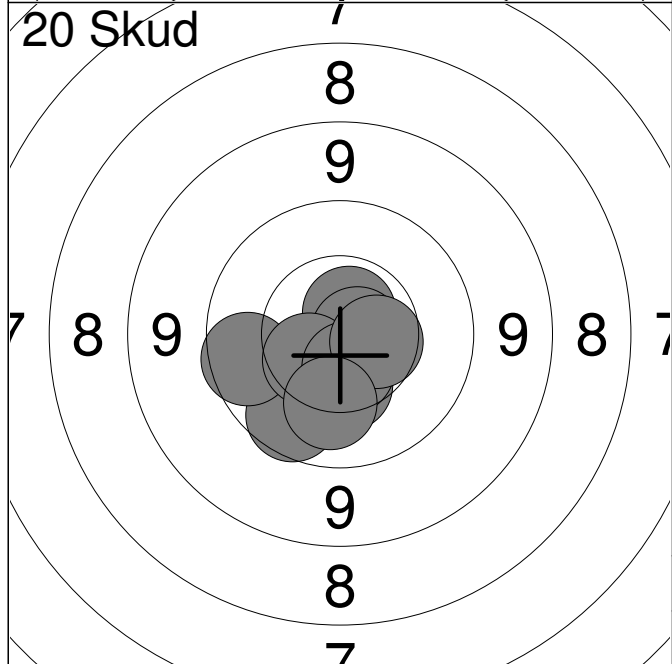
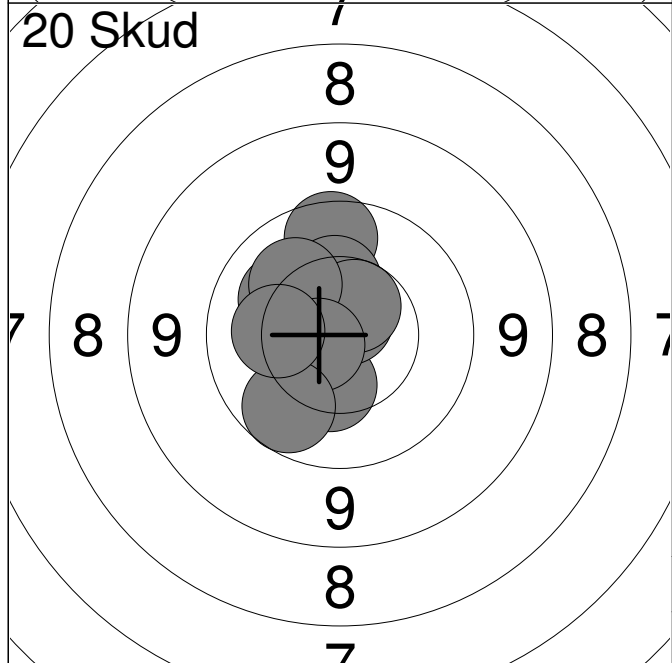


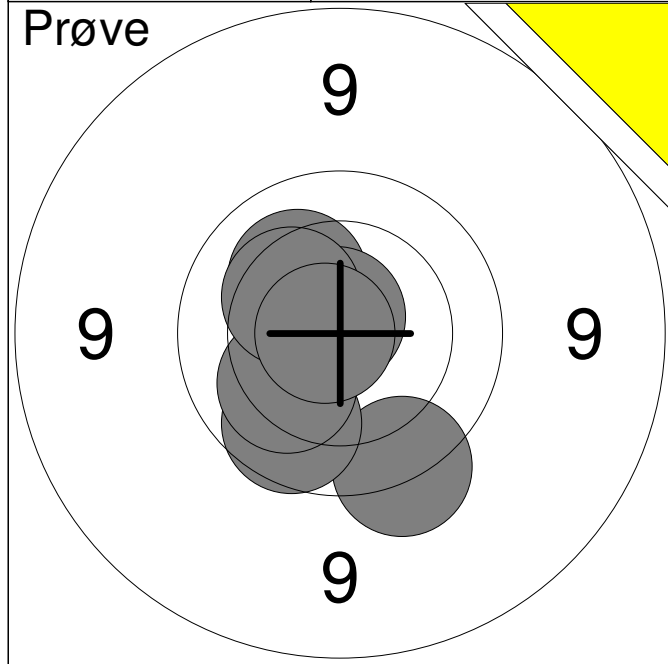
1:	10.7x	↘
2:	10.7x	↖
3:	9.7	↘
4:	9.8	↘
5:	10.7x	↖
6:	10.2	↘
7:	10.7x	↘
<b>Serie</b>		<b>68.0</b>
<b>Total</b>		<b>0.0</b>



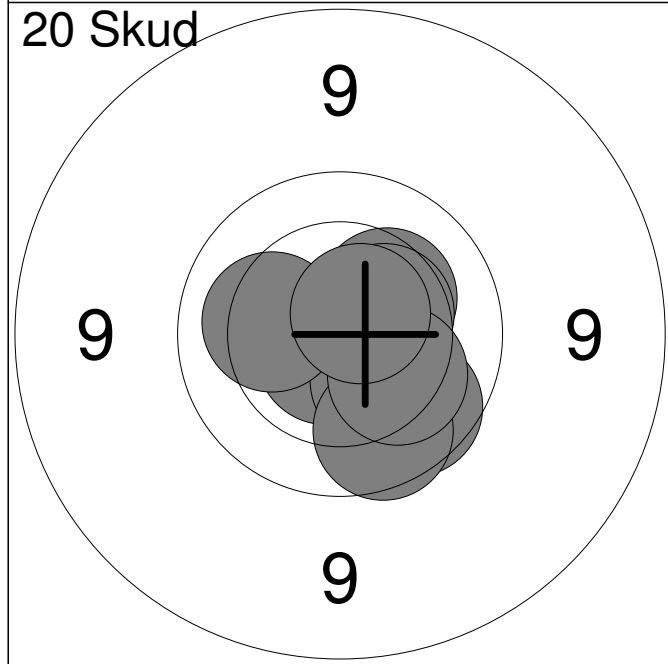
1:	10.7x	↘
2:	10.4	↘
3:	9.9	↘
4:	9.8	↖
5:	10.7x	↗
6:	10.7x	→
7:	10.5	↖
8:	10.5	↘
9:	10.5	→
10:	10.1	↘
<b>Serie</b>		<b>98.0</b>
<b>Total</b>		<b>98.0</b>



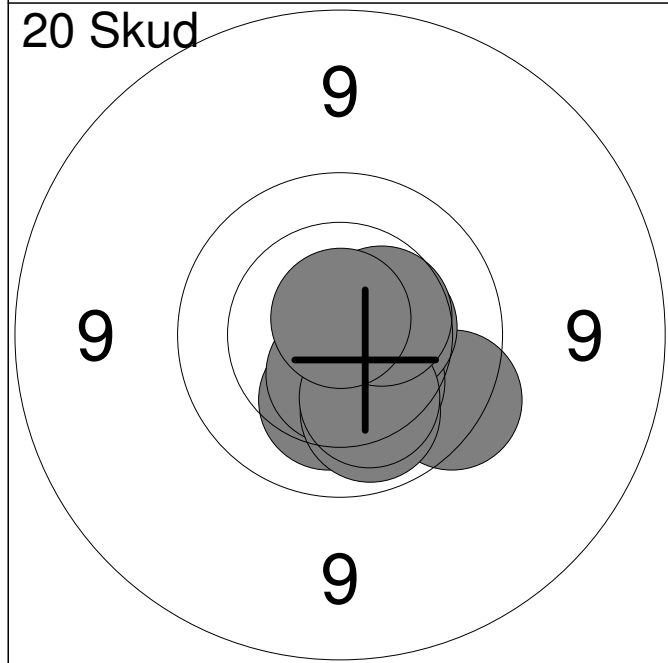
11:	9.8	↗
12:	10.2	↖
13:	10.4	↘
14:	10.7x	↗
15:	10.3	↗
16:	10.6	↗
17:	10.2	↖
18:	10.7x	↖
19:	9.9	↘
20:	10.2	↖
<b>Serie</b>		<b>98.0</b>
<b>Total</b>		<b>196.0</b>



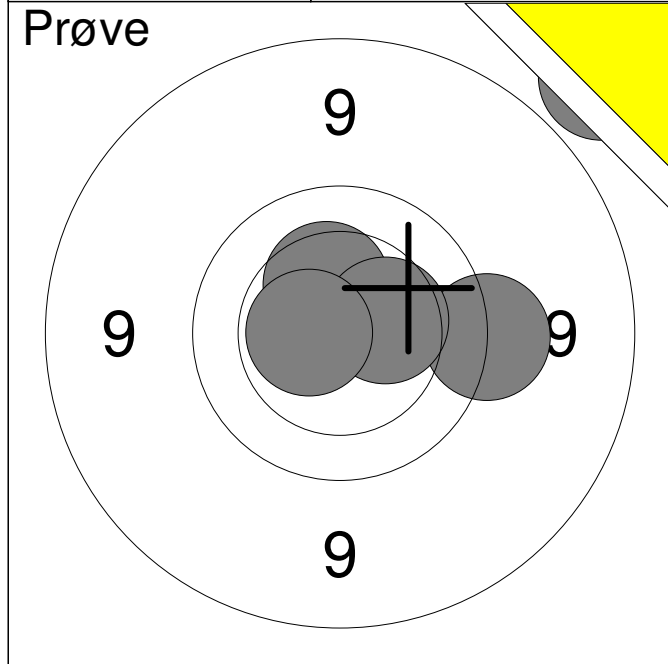
1:	9.6	↓
2:	10.2	↗
3:	9.9	↓
4:	10.2	↙
5:	10.8x	↗
6:	10.3	↗
7:	10.8x	←
<b>Serie</b>		<b>68.0</b>
<b>Total</b>		<b>0.0</b>



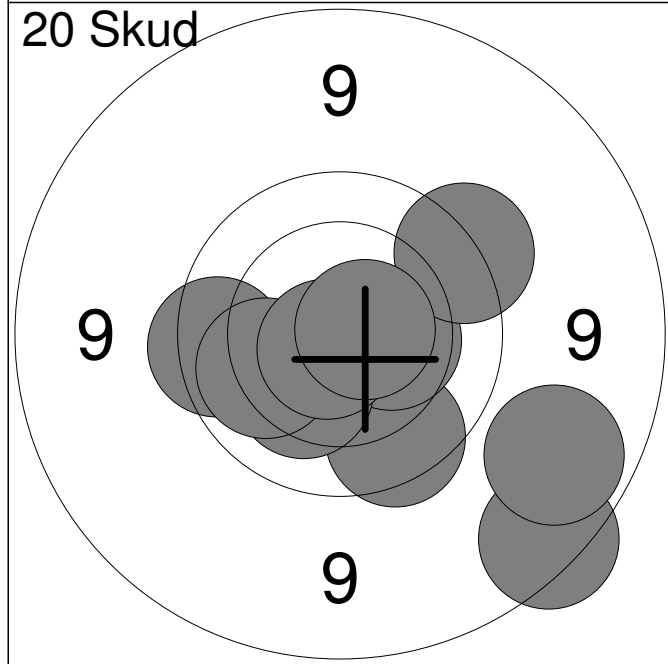
1:	10.7x	↙
2:	10.3	↗
3:	9.9	↓
4:	10.3	↓
5:	10.4	↗
6:	10.3	↓
7:	10.2	←
8:	9.9	↓
9:	10.2	↓
10:	10.6x	↗
<b>Serie</b>		<b>98.0</b>
<b>Total</b>		<b>98.0</b>



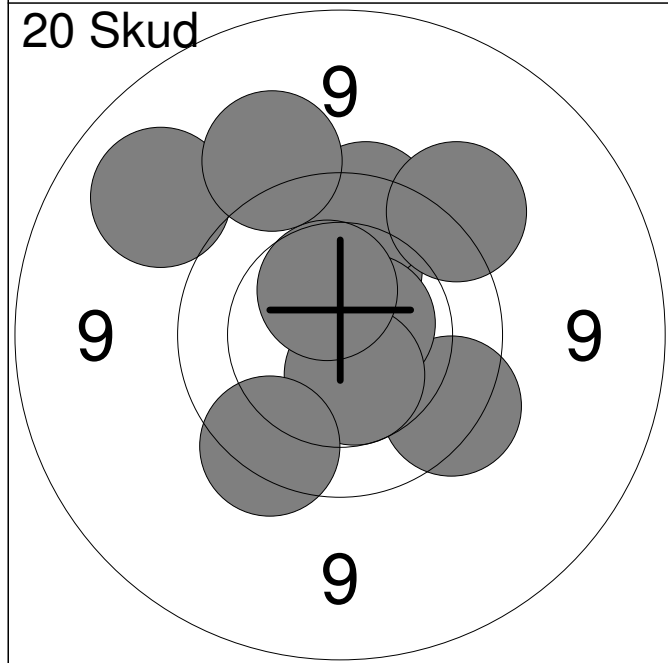
11:	10.9x	→
12:	10.2	↓
13:	10.5x	↓
14:	9.7	↘
15:	10.3	↓
16:	10.1	↓
17:	10.4	→
18:	10.2	↓
19:	10.5	↗
20:	10.8x	↑
<b>Serie</b>		<b>99.0</b>
<b>Total</b>		<b>197.0</b>



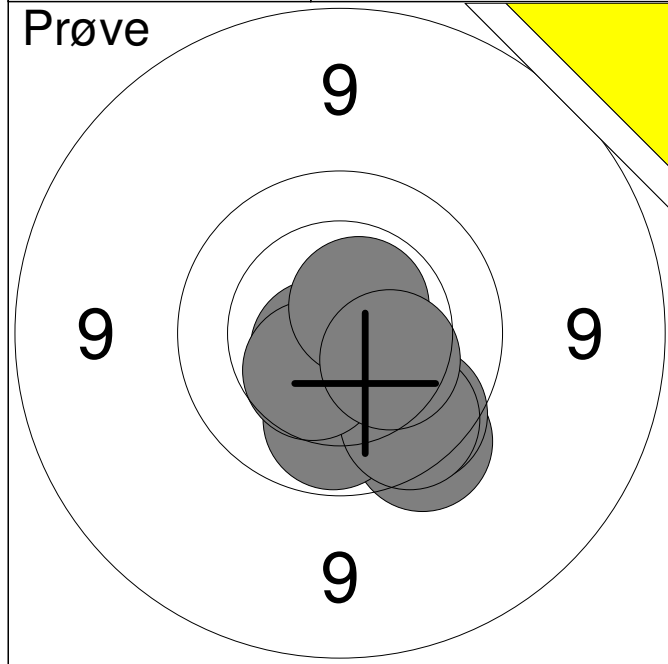
1:	9.5	→
2:	10.4	↑
3:	8.4	↗
4:	10.4	→
5:	10.6x	←
<b>Serie</b>		<b>47.0</b>
<b>Total</b>		<b>0.0</b>



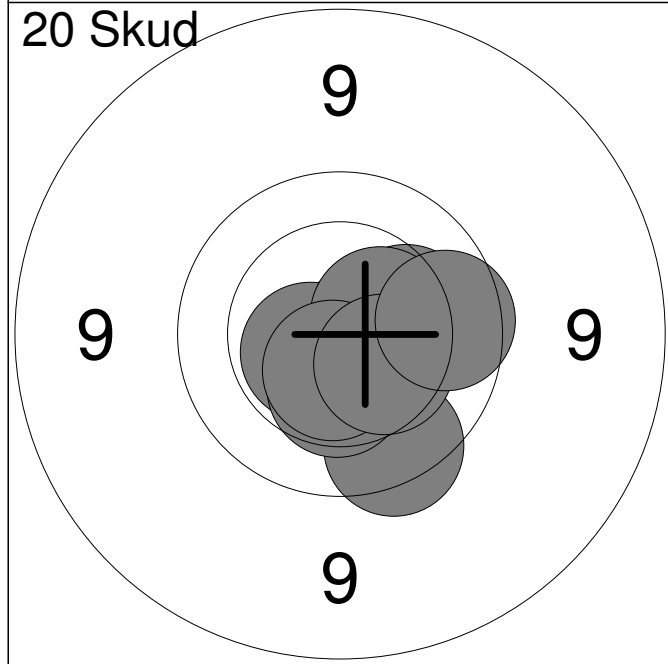
1:	9.8	↘
2:	8.8	↘
3:	10.4	→
4:	9.0	↘
5:	9.8	←
6:	9.6	↗
7:	10.2	↘
8:	10.1	←
9:	10.7x	↘
10:	10.7x	→
<b>Serie</b>		<b>94.0</b>
<b>Total</b>		<b>94.0</b>



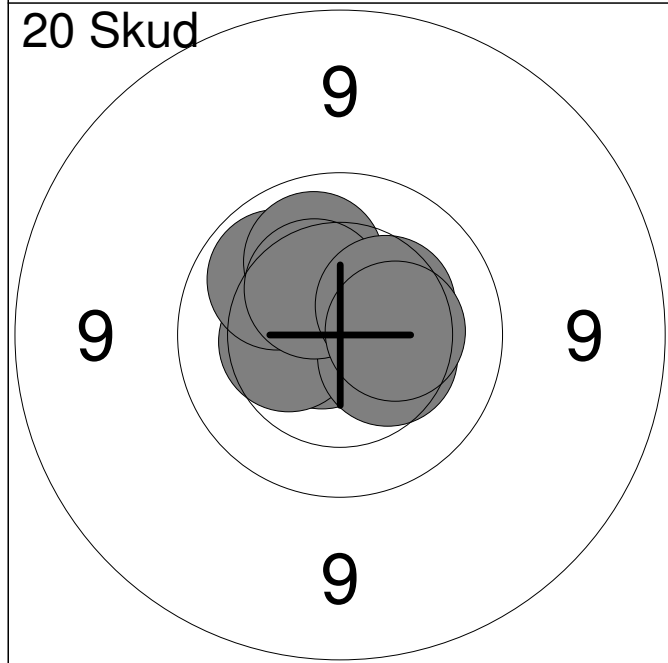
11:	10.2	↑
12:	9.7	↑
13:	9.7	↘
14:	9.5	↗
15:	10.7x	→
16:	10.5x	↘
17:	10.4	↑
18:	9.1	↗
19:	9.7	↘
20:	9.4	↑
<b>Serie</b>		<b>94.0</b>
<b>Total</b>		<b>188.0</b>



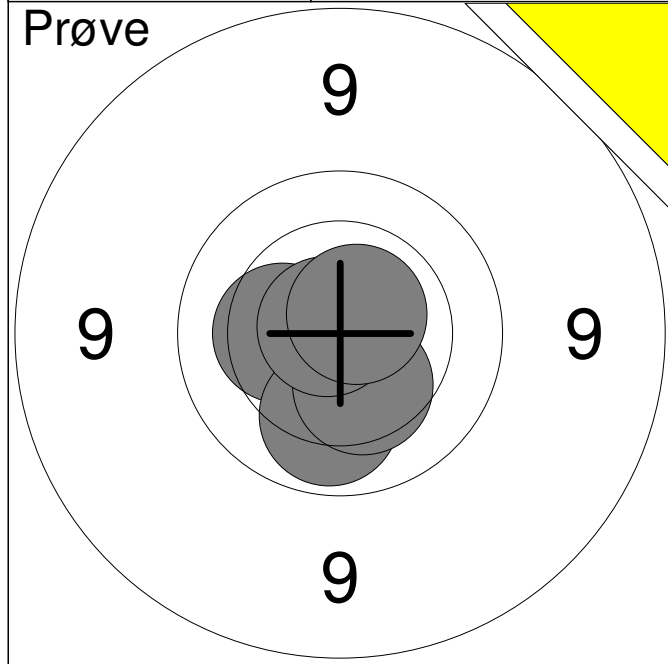
1:	9.7	↘
2:	10.7x	↙
3:	10.0	↓
4:	9.8	↘
5:	9.8	↘
6:	10.5	↙
7:	10.6x	↗
8:	10.3	↘
<b>Serie</b>		<b>77.0</b>
<b>Total</b>		<b>0.0</b>



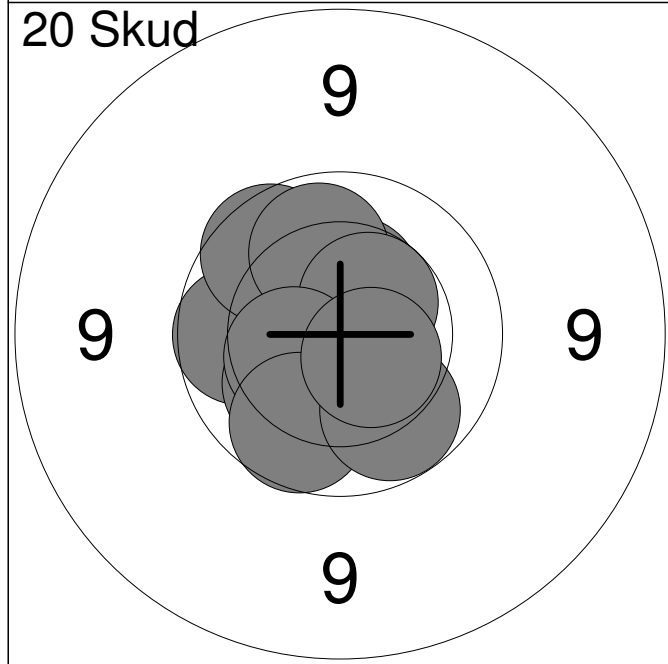
1:	9.8	↘
2:	10.5	→
3:	10.2	→
4:	10.8x	↘
5:	10.6x	↙
6:	10.5	↗
7:	10.4	↓
8:	10.5x	↓
9:	10.4	↘
10:	9.9	→
<b>Serie</b>		<b>98.0</b>
<b>Total</b>		<b>98.0</b>



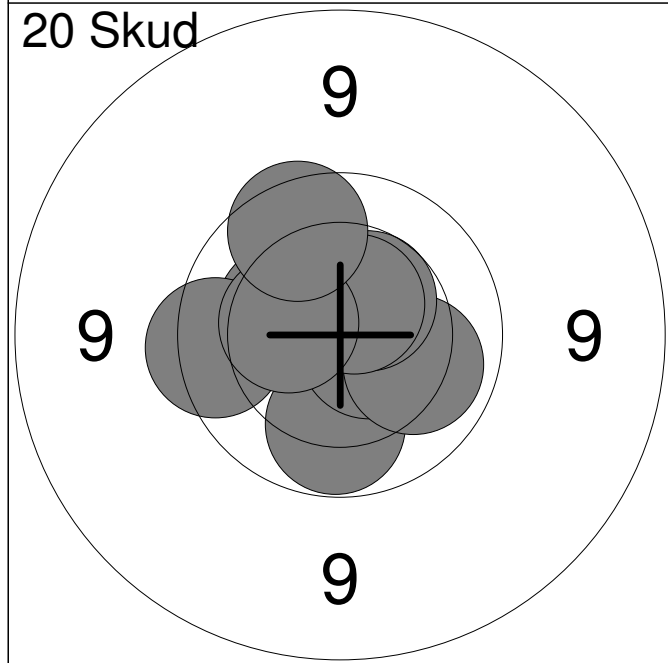
11:	10.4	↖
12:	10.7x	↙
13:	10.6x	↗
14:	10.4	↙
15:	10.0	↗
16:	10.4	↘
17:	10.1	↗
18:	10.4	↗
19:	10.4	↗
20:	10.4	→
<b>Serie</b>		<b>100.0</b>
<b>Total</b>		<b>198.0</b>



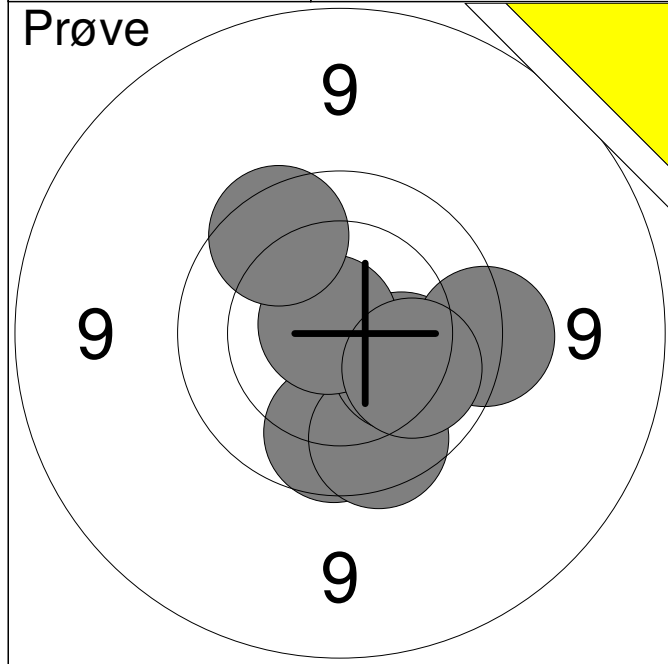
1:	10.3	←
2:	10.1	↓
3:	10.3	↓
4:	10.8x	↗
5:	10.7x	↗
<b>Serie</b>		<b>50.0</b>
<b>Total</b>		<b>0.0</b>



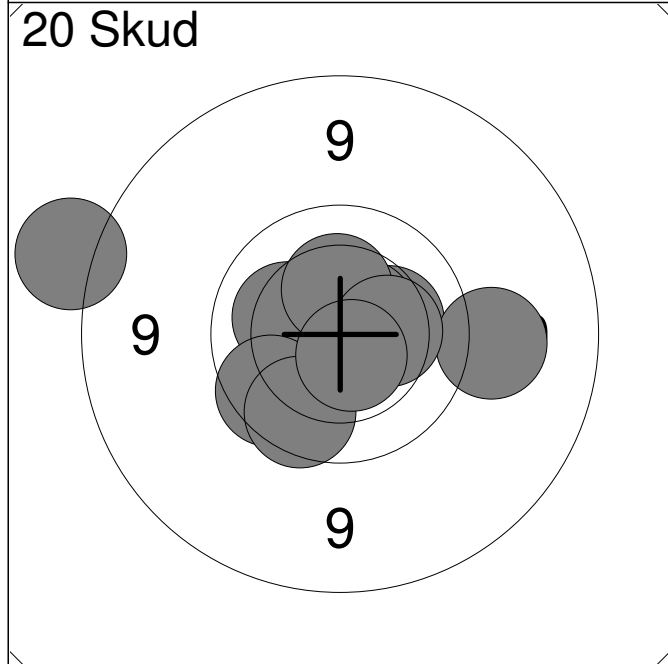
1:	10.4	↑
2:	9.9	←
3:	9.9	↗
4:	10.0	↑
5:	10.5x	↗
6:	10.2	↙
7:	10.4	←
8:	9.9	↓
9:	10.0	↓
10:	10.5x	↓
<b>Serie</b>		<b>97.0</b>
<b>Total</b>		<b>97.0</b>



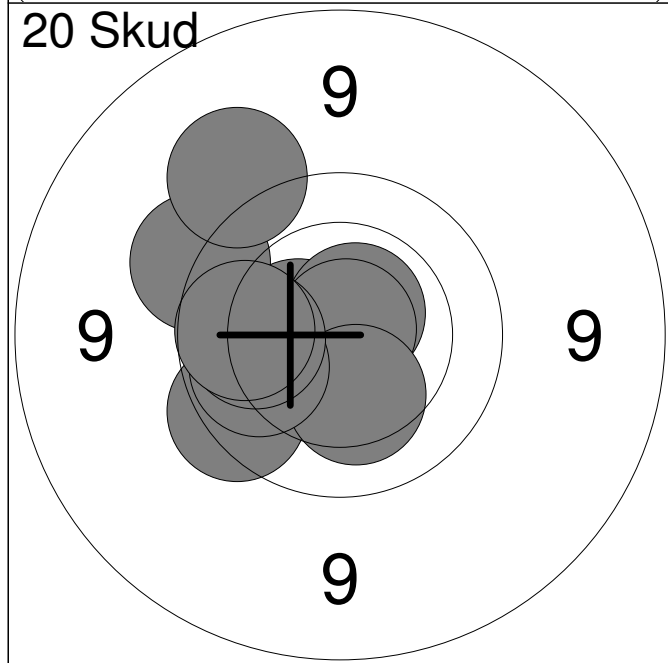
11:	10.6x	→
12:	10.0	↓
13:	10.6x	↘
14:	10.3	↗
15:	10.1	↘
16:	9.7	←
17:	10.5	↗
18:	10.6x	↗
19:	10.4	←
20:	9.8	↗
<b>Serie</b>		<b>98.0</b>
<b>Total</b>		<b>195.0</b>



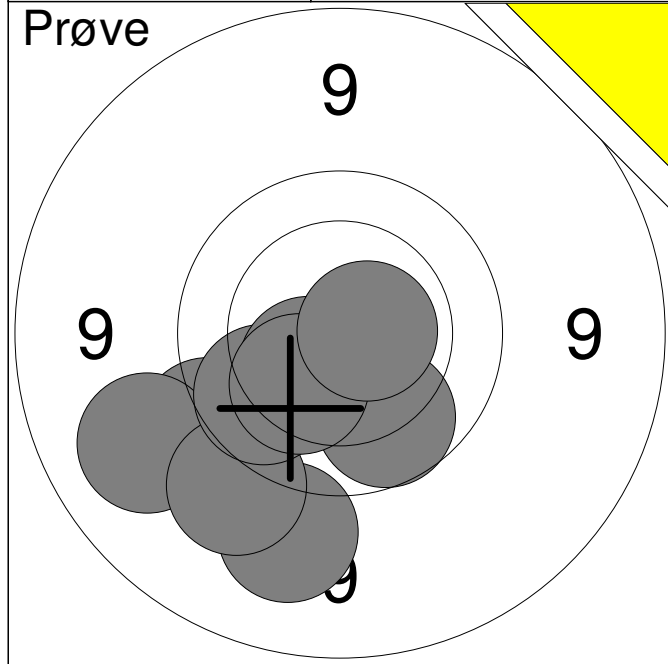
1:	9.9	↓
2:	9.8	↓
3:	10.2	↓
4:	10.8x	↗
5:	9.6	→
6:	9.8	↗
7:	10.1	↓
<b>Serie</b>		<b>66.0</b>
<b>Total</b>		<b>0.0</b>



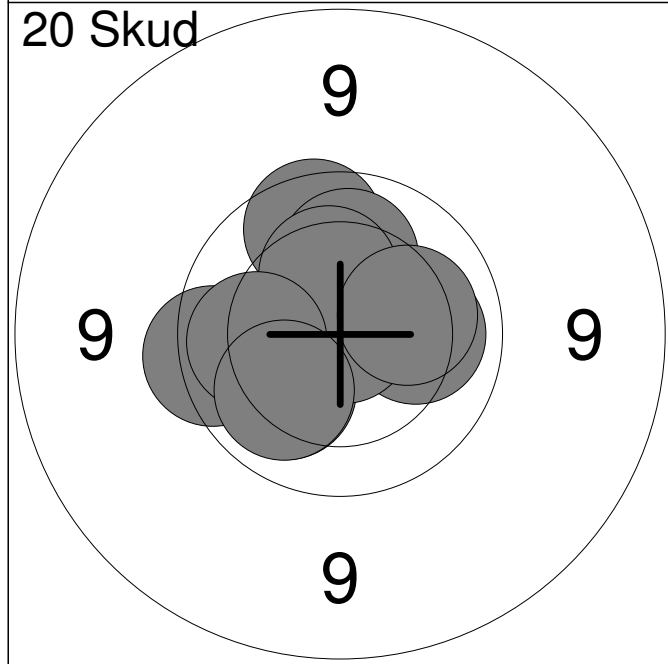
1:	10.2	←
2:	10.3	→
3:	9.3	→
4:	9.8	↙
5:	10.6x	↗
6:	9.8	↙
7:	10.3	↑
8:	8.6	←
9:	10.3	→
10:	10.6x	↓
<b>Serie</b>		<b>95.0</b>
<b>Total</b>		<b>95.0</b>



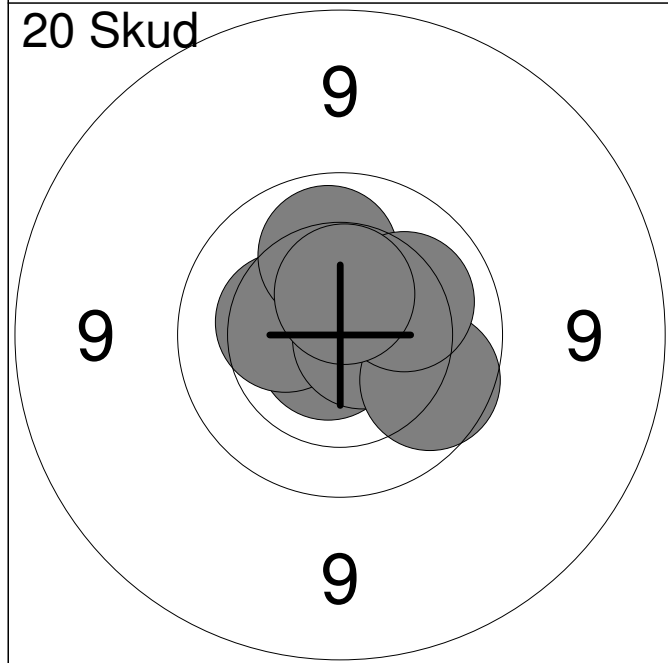
11:	9.6	↖
12:	9.4	↖
13:	9.7	↙
14:	10.5x	←
15:	10.7x	↗
16:	10.9x	↗
17:	10.3	↓
18:	10.0	←
19:	10.0	←
20:	9.9	←
<b>Serie</b>		<b>96.0</b>
<b>Total</b>		<b>191.0</b>



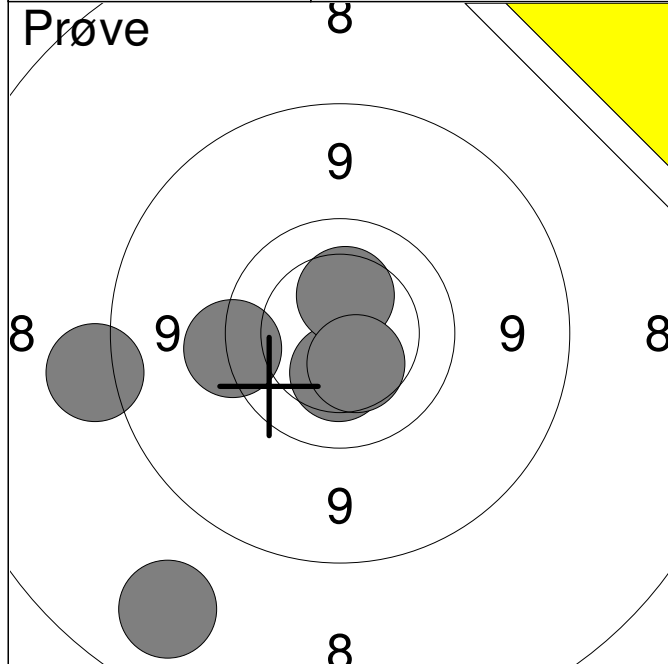
1:	9.5	↙
2:	9.2	↙
3:	9.3	↓
4:	9.4	↙
5:	9.9	↙
6:	10.5	↙
7:	9.9	↓
8:	10.2	↙
9:	10.7x	→
<b>Serie</b>		<b>84.0</b>
<b>Total</b>		<b>0.0</b>



1:	9.9	↑
2:	10.1	↑
3:	10.1	→
4:	10.1	↙
5:	10.9x	→
6:	10.3	↑
7:	9.7	←
8:	10.0	←
9:	10.2	→
10:	10.1	↙
<b>Serie</b>		<b>98.0</b>
<b>Total</b>		<b>98.0</b>

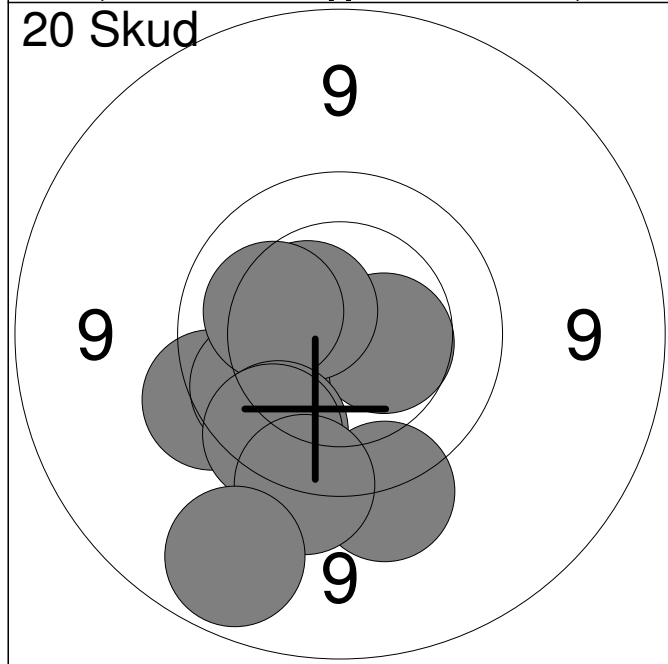


11:	10.7x	↗
12:	10.4	↑
13:	10.7x	↙
14:	10.8x	↗
15:	10.3	←
16:	10.7x	→
17:	10.1	↑
18:	9.9	↘
19:	10.2	↗
20:	10.5x	↑
<b>Serie</b>		<b>99.0</b>
<b>Total</b>		<b>197.0</b>



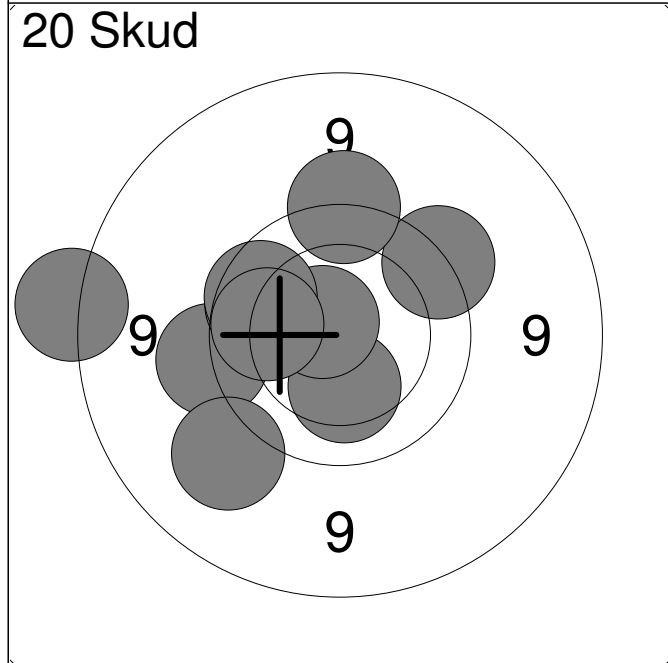
1:	8.6	←
2:	9.6	←
3:	8.1	↙
4:	10.3	↓
5:	10.4	↑
6:	10.4	↘

Serie	55.0
Total	0.0



1:	10.5	→
2:	9.6	←
3:	9.9	←
4:	9.5	↓
5:	10.5x	↗
6:	10.2	←
7:	9.8	↙
8:	9.8	↙
9:	9.6	↓
10:	9.0	↘

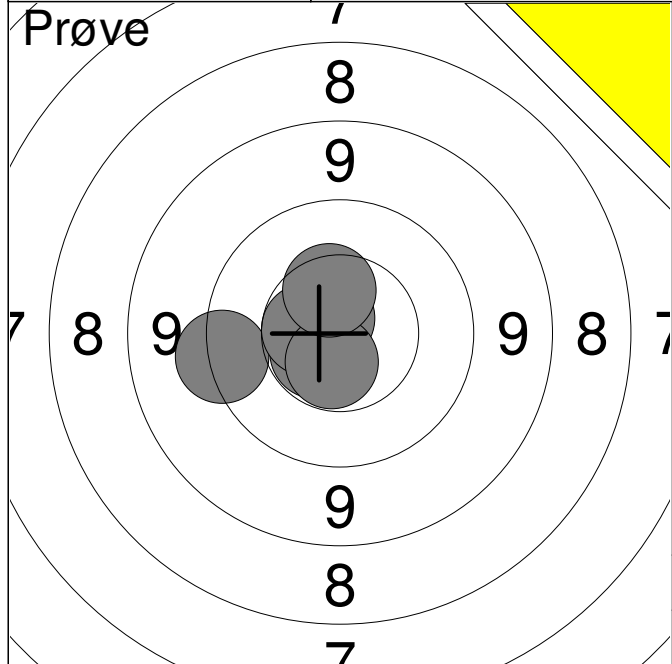
Serie	93.0
Total	93.0



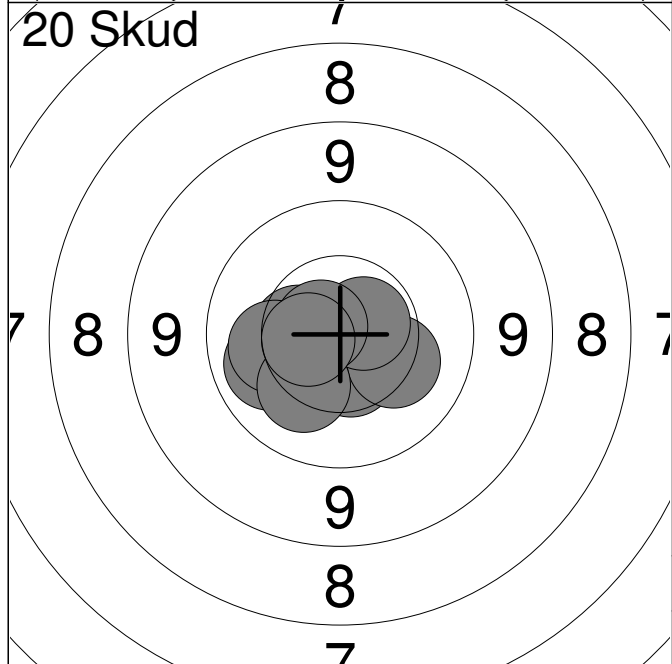
11:	9.6	↗
12:	10.3	↓
13:	9.5	←
14:	9.3	↙
15:	8.6	←
16:	9.5	↑
17:	9.9	←
18:	10.7x	↗
19:	9.8	↗
20:	10.0	←

Serie	92.0
Total	185.0

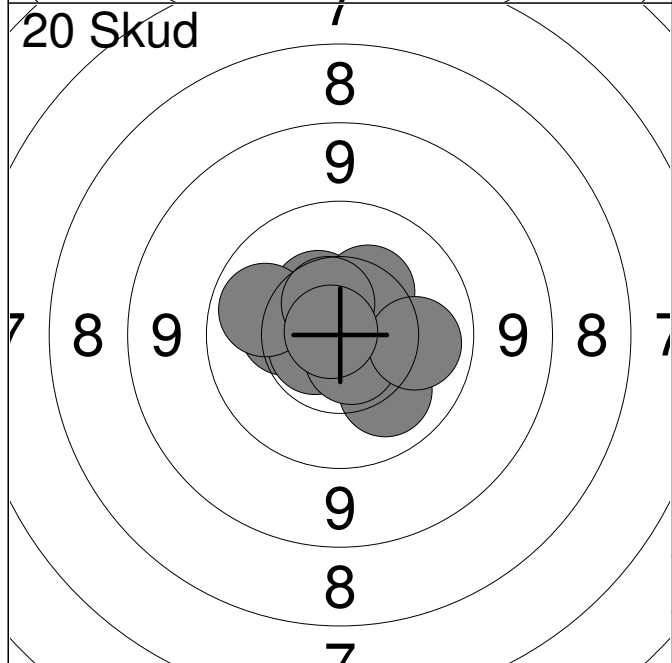




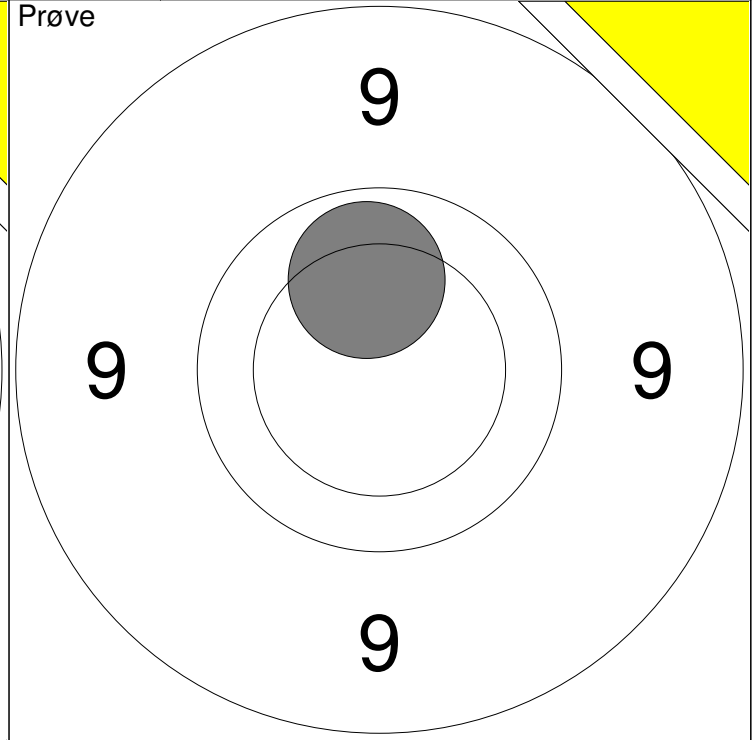
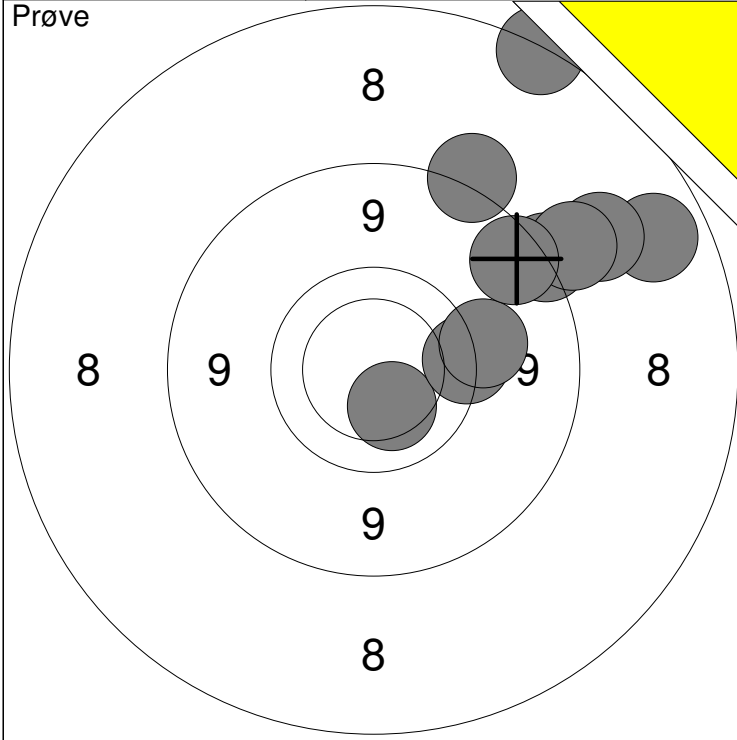
1:	10.7x	↗
2:	9.5	←
3:	10.6x	↘
4:	10.6	←
5:	10.6x	↘
6:	10.4	↗
<b>Serie</b>		<b>59.0</b>
<b>Total</b>		<b>0.0</b>



1:	10.8x	↘
2:	10.5	↘
3:	10.5	←
4:	10.3	↘
5:	10.1	←
6:	10.2	←
7:	10.7x	↗
8:	10.7x	←
9:	10.2	↘
10:	10.6	←
<b>Serie</b>		<b>100.0</b>
<b>Total</b>		<b>100.0</b>

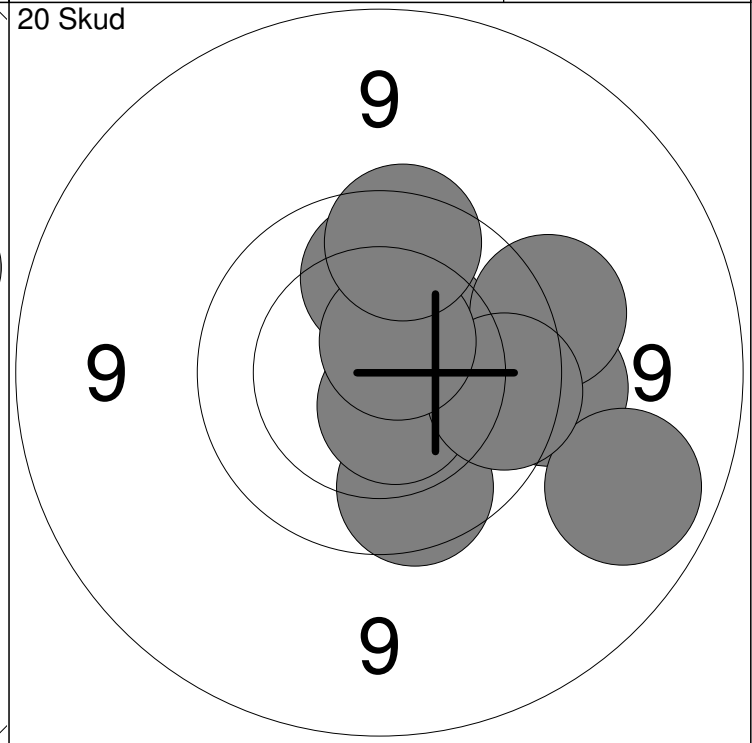
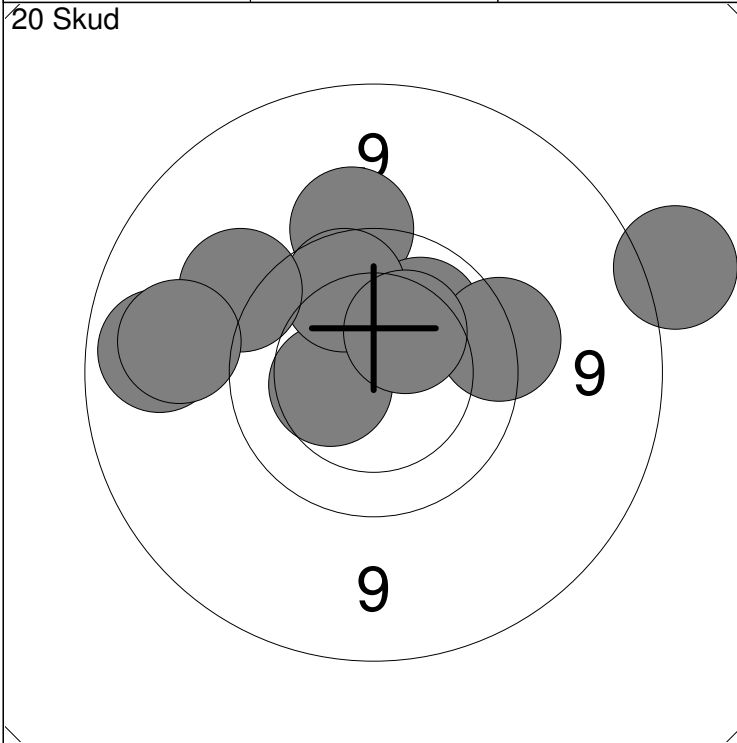


11:	10.3	←
12:	10.1	↘
13:	10.6x	←
14:	10.4	↗
15:	10.0	↗
16:	10.7x	↘
17:	10.4	↗
18:	10.1	→
19:	10.6	↗
20:	10.8x	←
<b>Serie</b>		<b>100.0</b>
<b>Total</b>		<b>200.0</b>



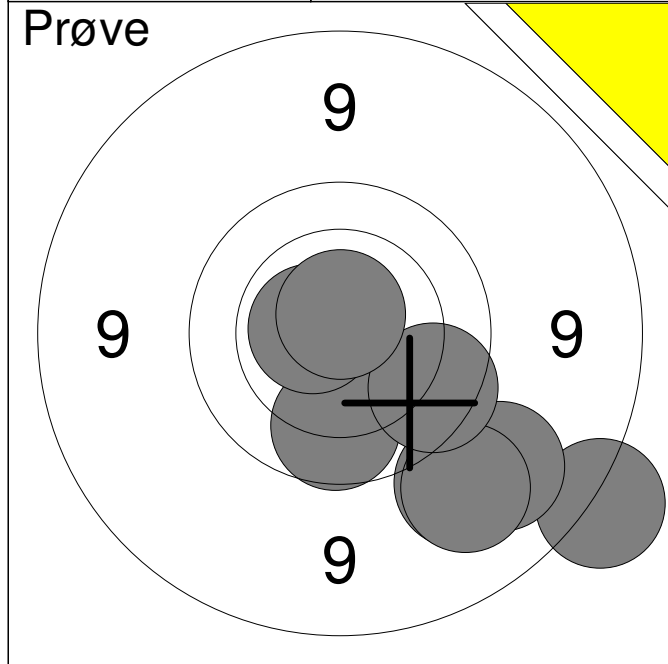
1: 7.7 ↗	6: 10.3 ↓	Serie	83
2: 8.6 ↗	7: 8.5 ↗		
3: 8.0 ↗	8: 9.6 →	Total	0
4: 8.7 ↗	9: 9.4 →		
5: 8.3 ↗	10: 8.8 ↗		

11: 10.1 ↑	Serie	10
	Total	0

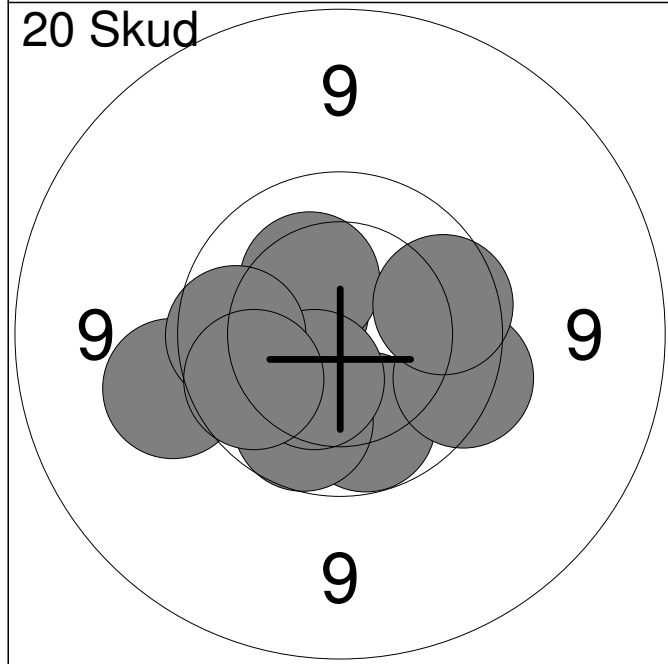


1: 10.4 ←	6: 9.0 ←	Serie	92
2: 9.5 ↑	7: 9.9 ↗		
3: 10.1 ↗	8: 9.4 ↖	Total	92
4: 9.6 →	9: 10.3 ↗		
5: 8.5 →	10: 9.2 ←		

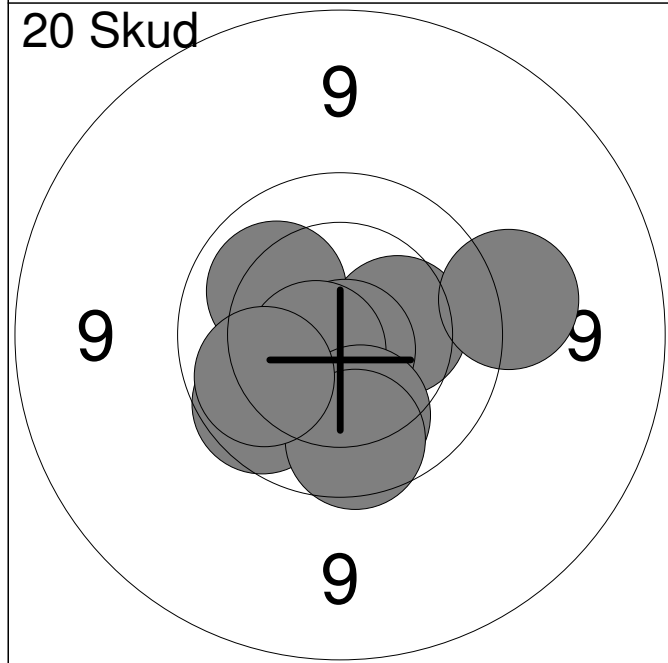
11: 9.6 →	16: 9.5 →	Serie	94
12: 10.4 ↗	17: 9.8 →		
13: 9.0 →	18: 10.0 ↑	Total	186
14: 9.9 ↓	19: 10.6x ↗		
15: 10.6x ↓	20: 9.8 ↑		



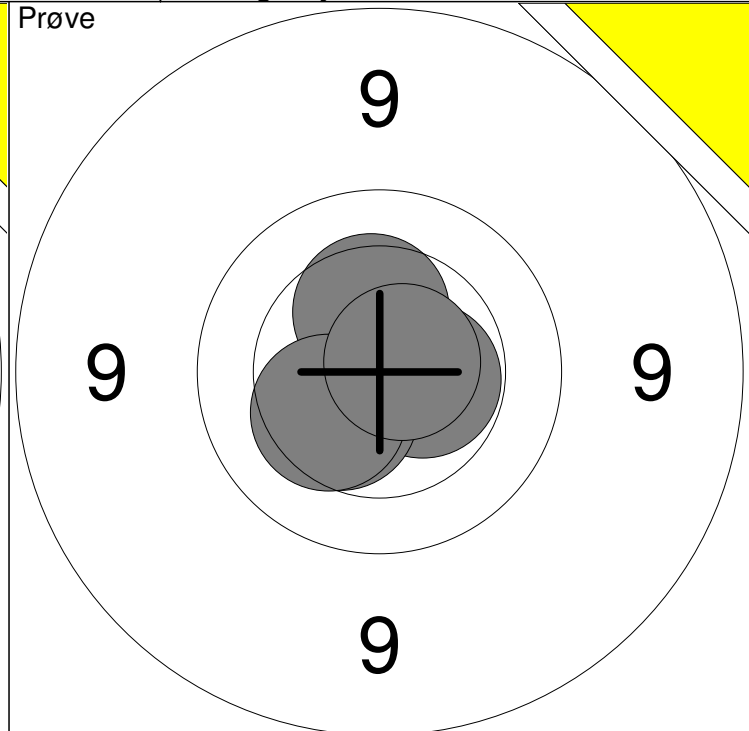
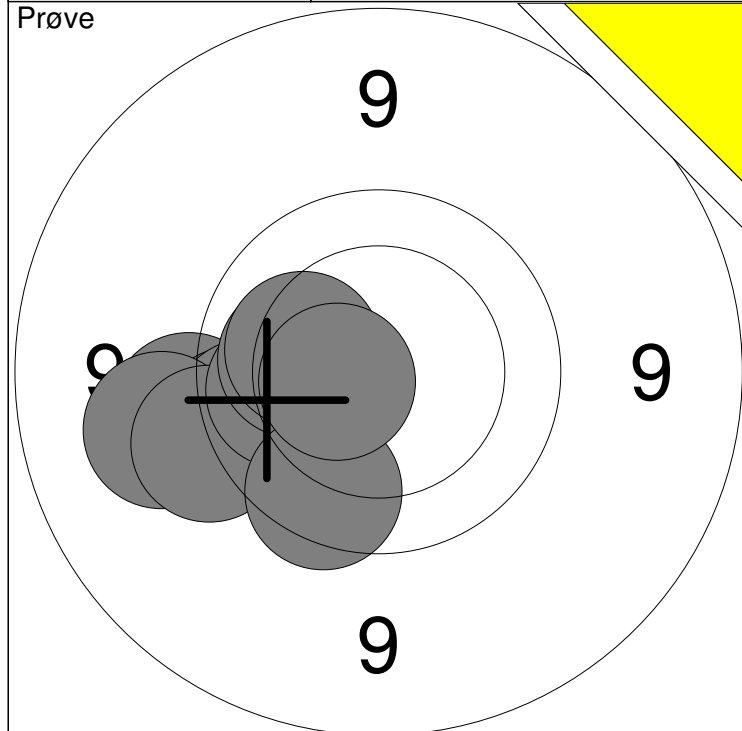
1:	9.3	↘
2:	8.6	↘
3:	9.1	↘
4:	9.2	↘
5:	9.9	↓
6:	10.6x	←
7:	9.8	↘
8:	10.7x	↑
<b>Serie</b>		<b>73.0</b>
<b>Total</b>		<b>0.0</b>



1:	10.0	↓
2:	9.9	↓
3:	9.7	→
4:	10.4	↗
5:	10.3	↗
6:	10.4	↓
7:	9.4	←
8:	9.9	←
9:	9.9	→
10:	9.9	↙
<b>Serie</b>		<b>94.0</b>
<b>Total</b>		<b>94.0</b>

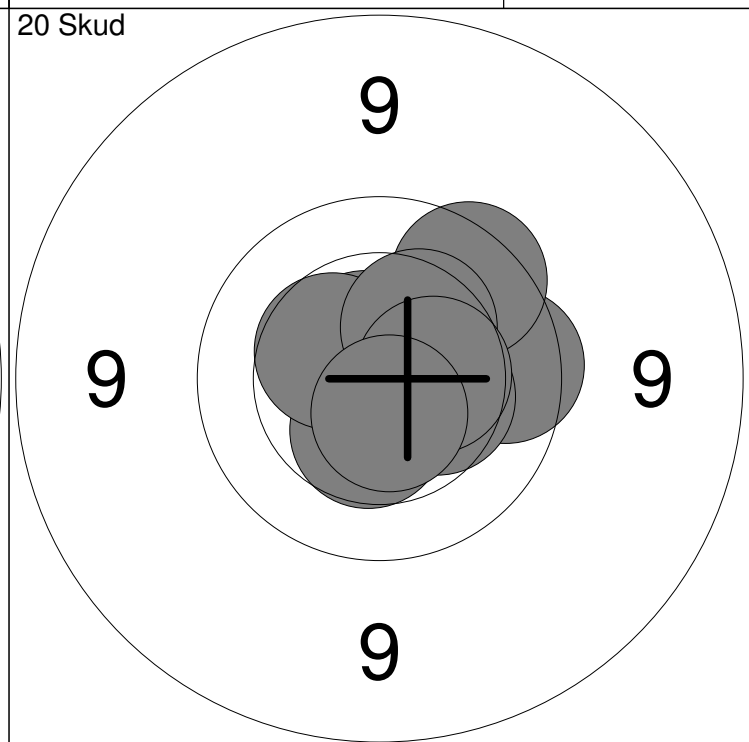
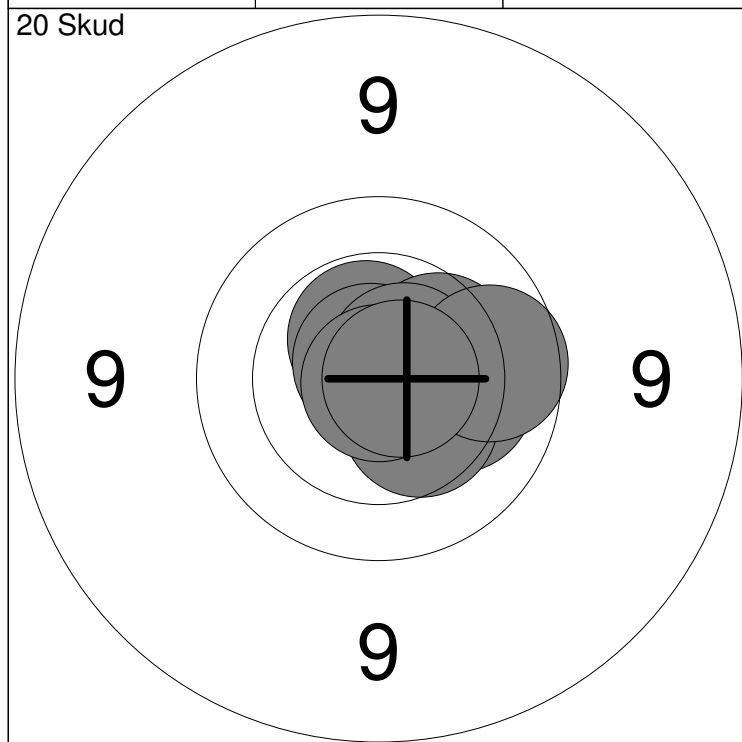


11:	10.1	↗
12:	10.3	→
13:	10.8x	↓
14:	10.3	↓
15:	9.9	↙
16:	9.5	→
17:	10.6x	←
18:	10.1	↓
19:	9.9	↓
20:	10.0	↙
<b>Serie</b>		<b>97.0</b>
<b>Total</b>		<b>191.0</b>



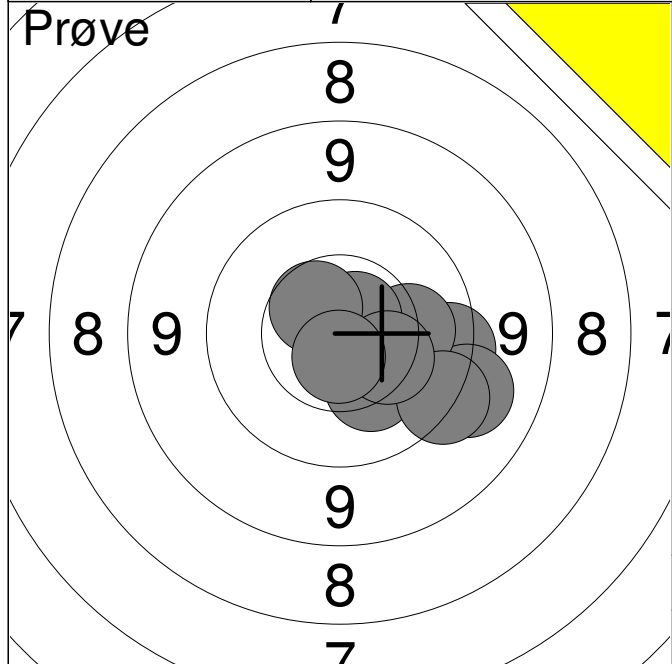
1: 9.5 ←	6: 10.0 ←	Serie	94
2: 9.7 ←	7: 10.2 ←		
3: 9.8 ←	8: 9.8 ↘	Total	0
4: 9.3 ←	9: 10.2 ←		
5: 9.5 ←	10: 10.5x ←		

11: 10.5x →	Serie	50
12: 10.4 ↑		
13: 10.4 ↙	Total	0
14: 10.3 ↙		
15: 10.7x →		

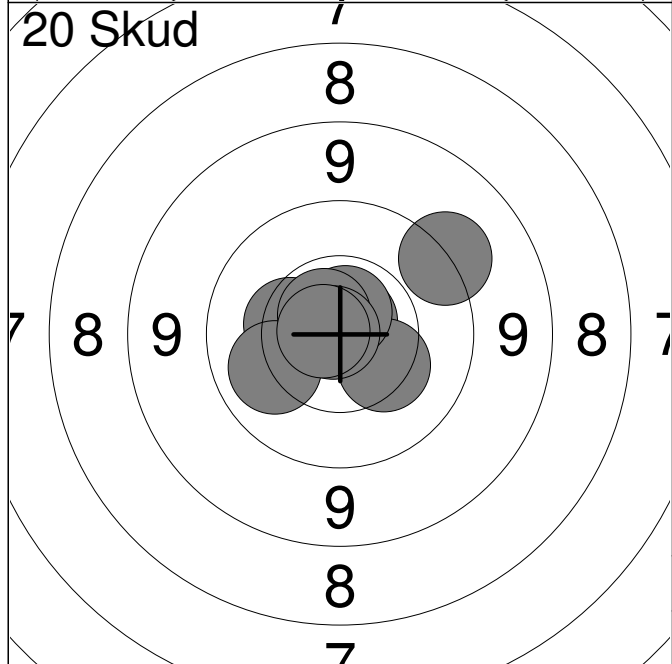


1: 10.6x ↑	6: 10.4 ↘	Serie	99
2: 10.2 →	7: 10.7x →		
3: 10.3 →	8: 10.9x ↘	Total	99
4: 10.9x →	9: 9.9 →		
5: 10.8x ↑	10: 10.7x →		

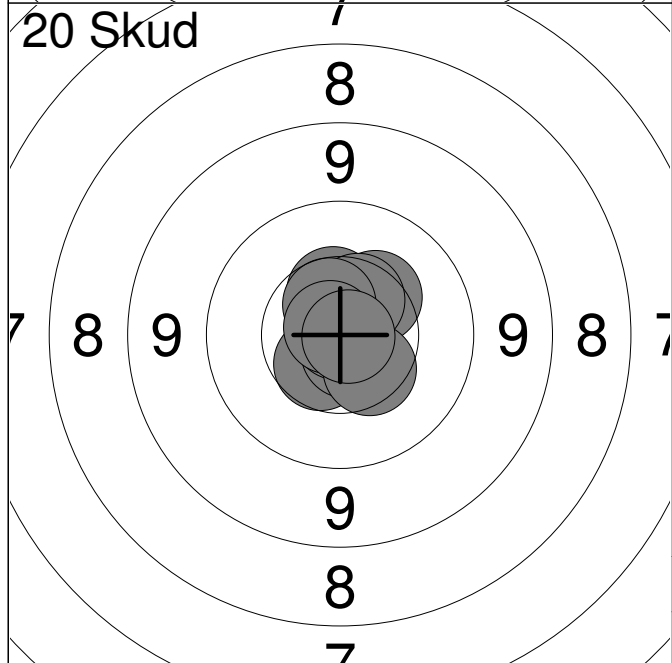
11: 10.4 ↘	16: 9.8 ↗	Serie	98
12: 10.4 →	17: 10.4 ↙		
13: 9.8 →	18: 10.3 ↗	Total	197
14: 10.4 →	19: 10.4 →		
15: 10.6x ↑	20: 10.6x ↘		



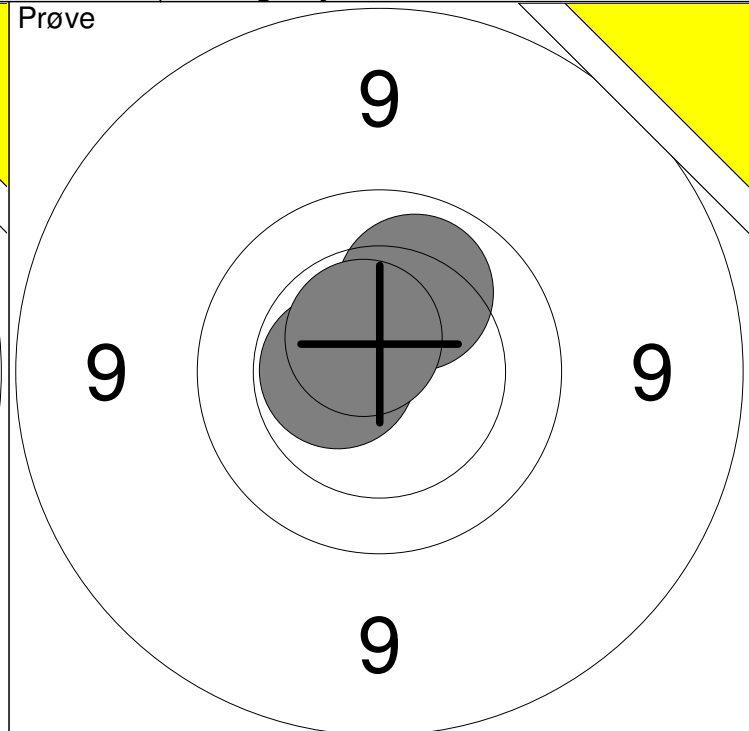
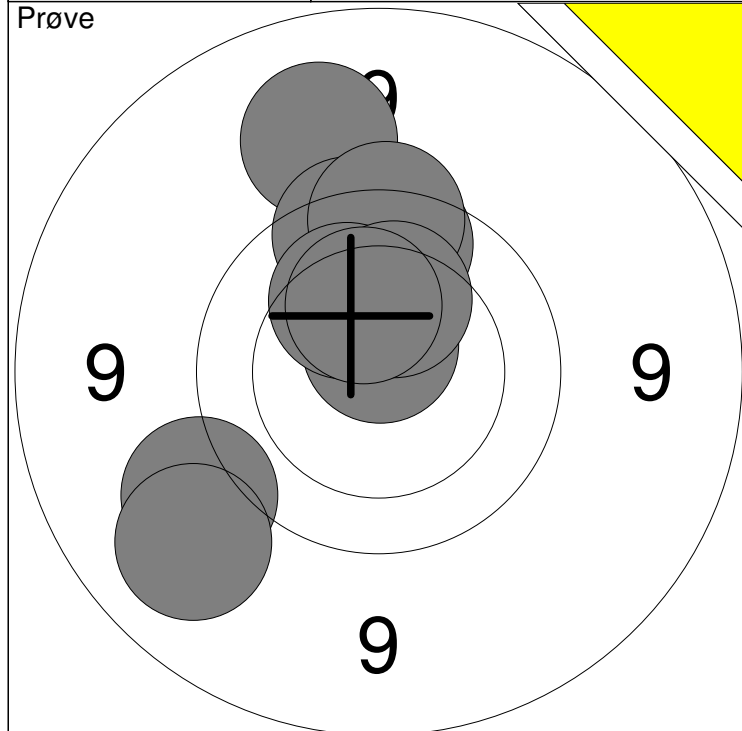
1:	10.3	→
2:	9.7	→
3:	9.3	↘
4:	10.2	→
5:	10.3	↘
6:	9.5	↘
7:	10.7x	↗
8:	10.3	↘
9:	10.5	↗
10:	10.7x	↓
<b>Serie</b>		<b>97.0</b>
<b>Total</b>		<b>0.0</b>



1:	10.8x	↗
2:	9.4	↗
3:	10.3	↘
4:	10.7x	↑
5:	10.4	←
6:	10.1	←
7:	10.8x	↗
8:	10.7x	↗
9:	10.9x	←
10:	10.8x	←
<b>Serie</b>		<b>99.0</b>
<b>Total</b>		<b>99.0</b>

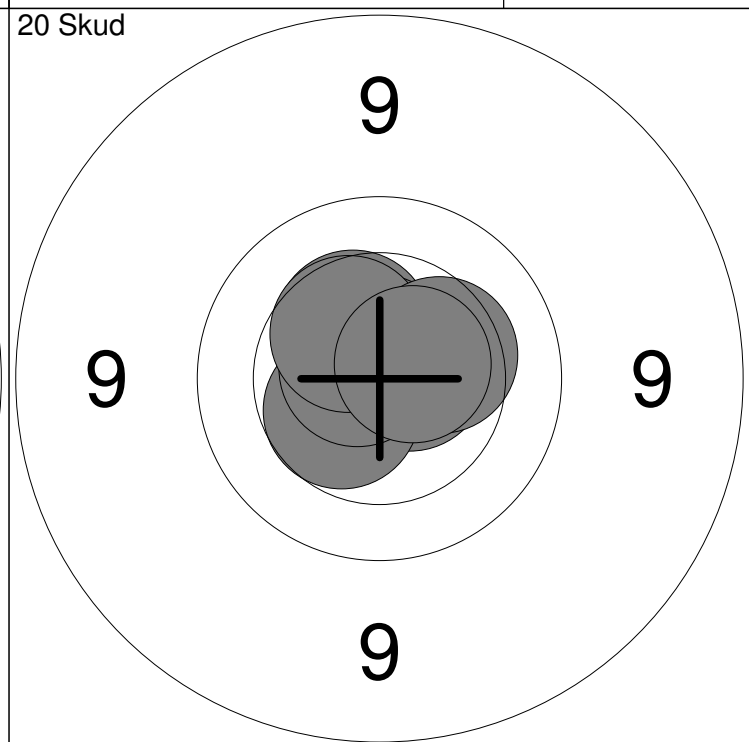
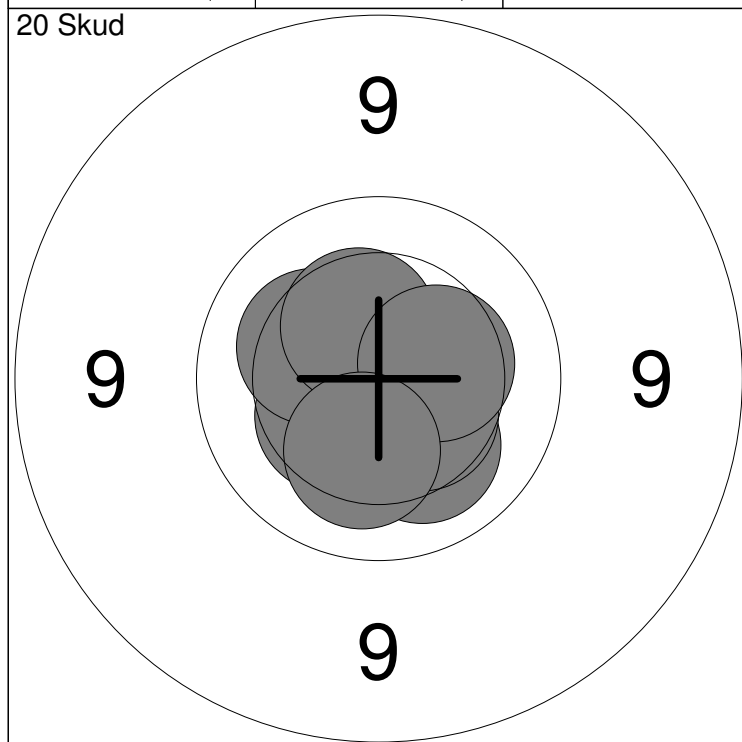


11:	10.6	↘
12:	10.3	↗
13:	10.5	↑
14:	10.5	↗
15:	10.7x	↘
16:	10.9x	↗
17:	10.4	↘
18:	10.6	↗
19:	10.8x	↗
20:	10.9x	→
<b>Serie</b>		<b>100.0</b>
<b>Total</b>		<b>199.0</b>



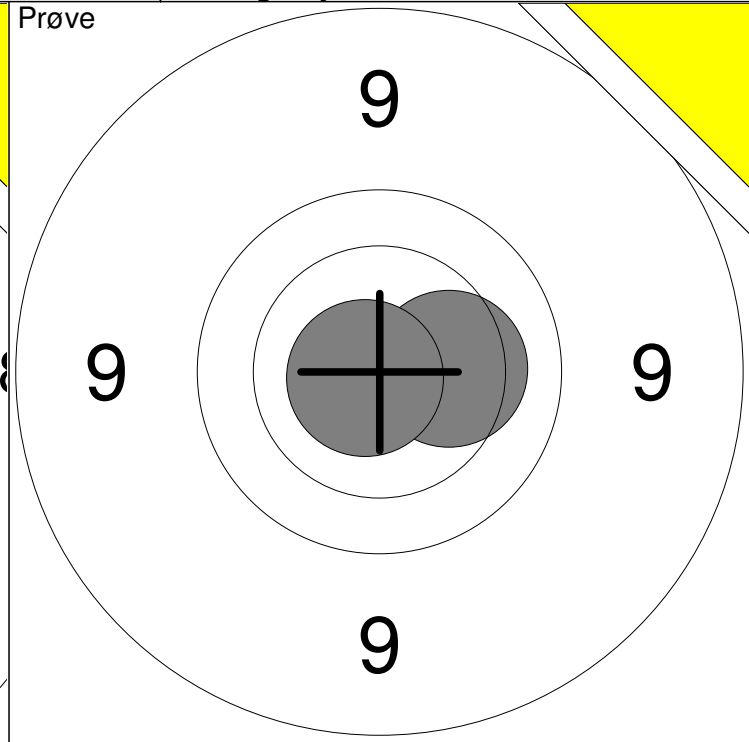
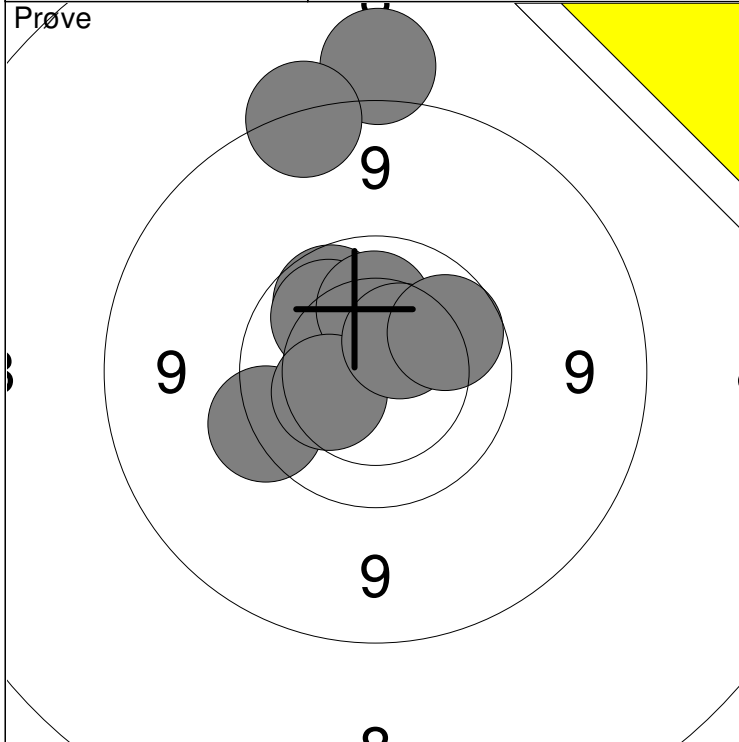
1: 9.3 ↙	6: 10.7x ↑	Serie	94
2: 9.8 ↑	7: 10.2 ↗		
3: 9.2 ↑	8: 10.2 ↑	Total	0
4: 9.8 ↑	9: 9.1 ↙		
5: 9.7 ↑	10: 10.3 ↑		

11: 10.1 ↗	Serie	30
12: 10.5x ←		
13: 10.6x ↗	Total	0



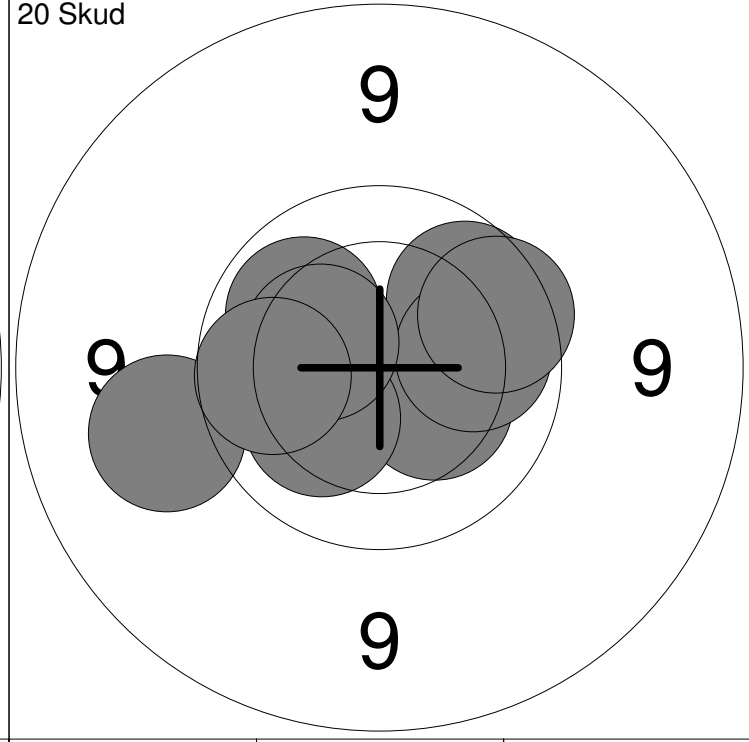
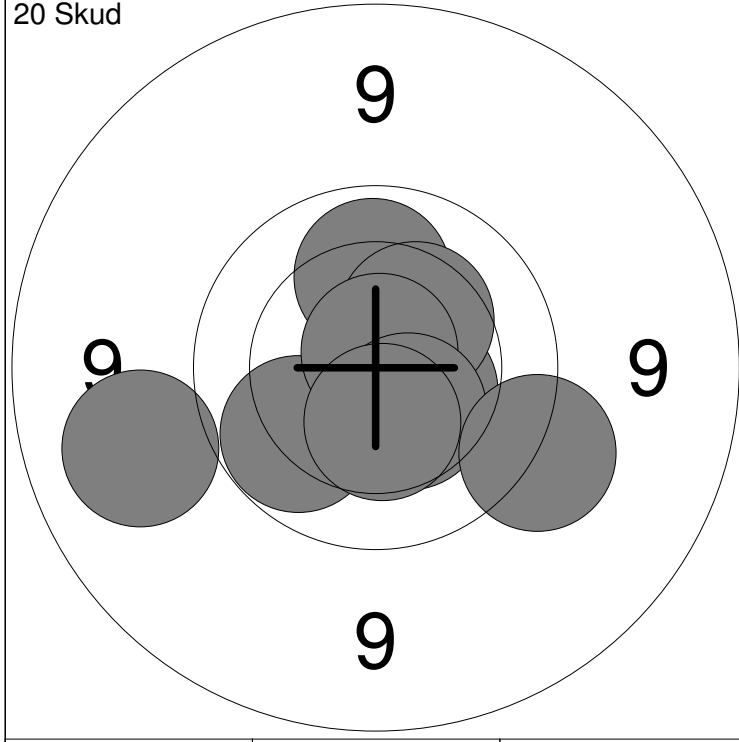
1: 10.5x ↙	6: 10.3 ↙	Serie	100
2: 10.8x ←	7: 10.4 ↘		
3: 10.2 ↘	8: 10.4 ↗	Total	100
4: 10.6	9: 10.4 →		
5: 10.4 ↙	10: 10.2 ↘		

11: 10.7x ↗	16: 10.7x ↑	Serie	100
12: 10.7x →	17: 10.7x ↙		
13: 10.4 ↗	18: 10.4 ↗	Total	200
14: 10.5 ↙	19: 10.3 →		
15: 10.6x ↗	20: 10.6x →		



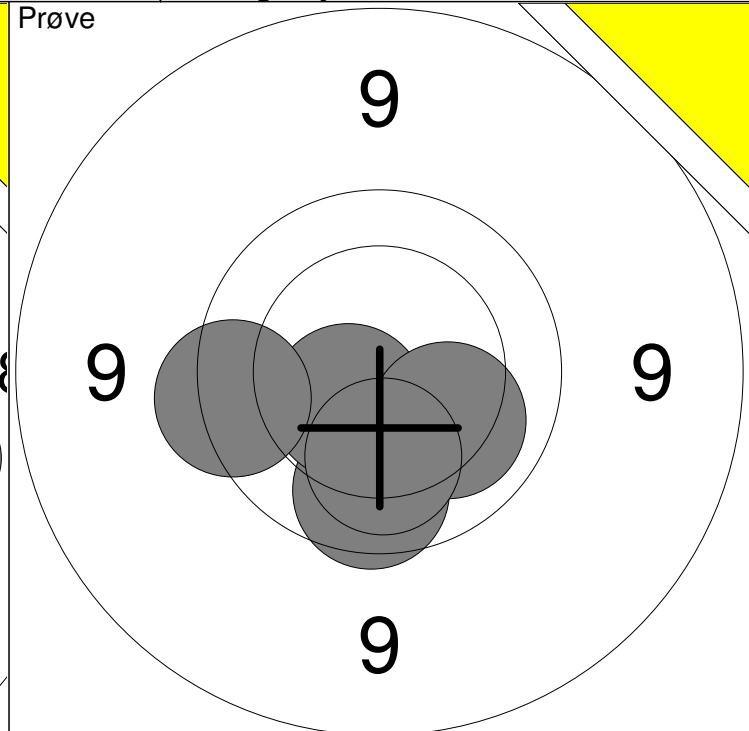
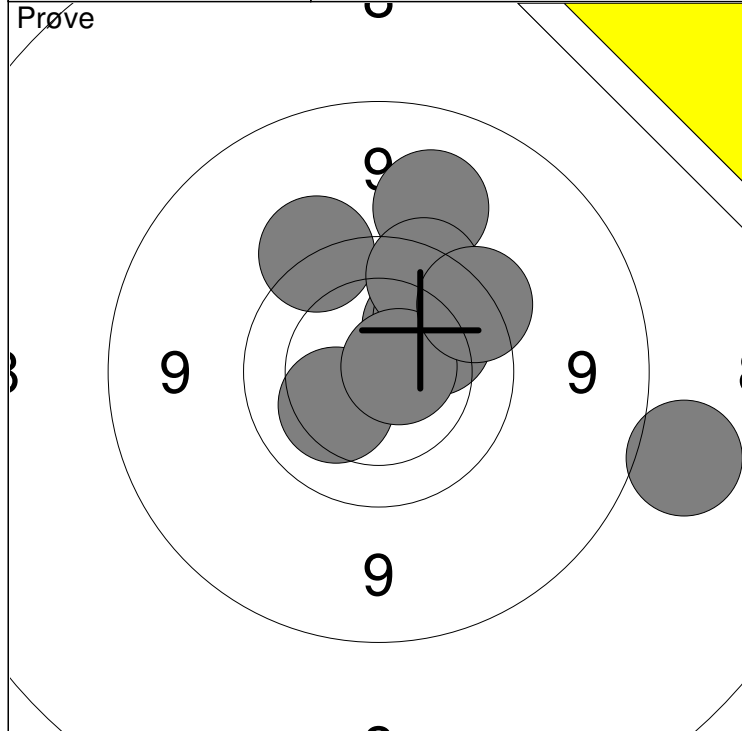
1: 8.5	↑	6: 9.6	↙	Serie	93
2: 8.7	↑	7: 10.1	↑		
3: 9.9	↖	8: 10.3	↙		
4: 10.0	↖	9: 10.4	↗		
5: 10.2	↑	10: 9.9	↗		
				Total	0

11: 10.3	→	Serie	20	
12: 10.8x	↙			
			Total	0



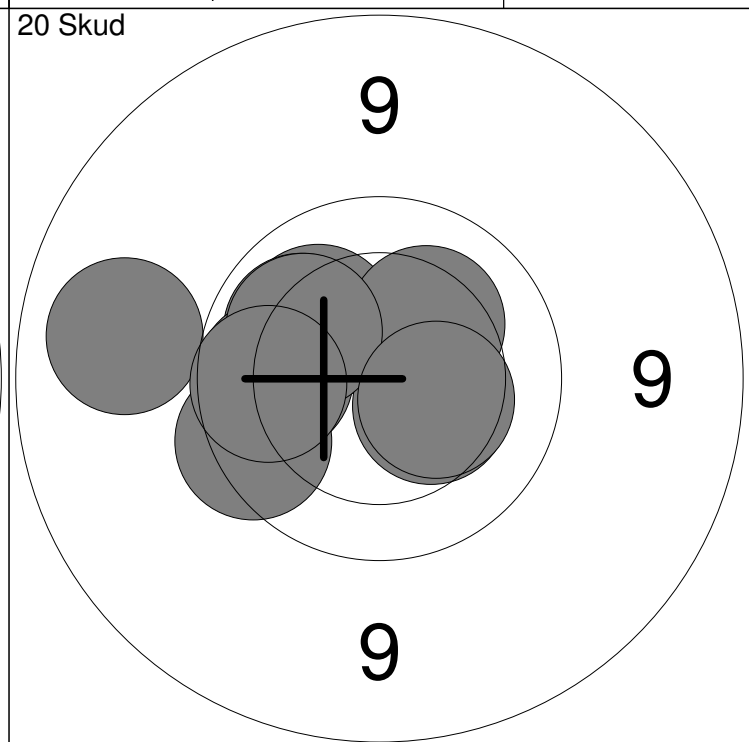
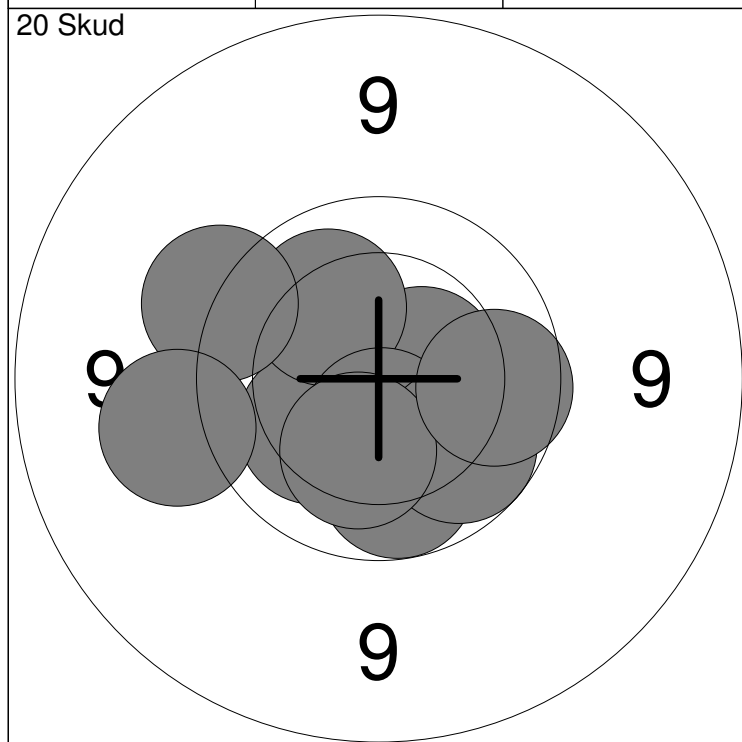
1: 10.6x	↘	6: 10.8x	↑	Serie	98
2: 10.0	↙	7: 10.4	↘		
3: 10.1	↑	8: 9.5	↘		
4: 10.5	↘	9: 10.4	↓		
5: 10.3	↗	10: 9.2	↙		
				Total	98

11: 10.3	↘	16: 9.3	↙	Serie	96
12: 9.9	↗	17: 10.2	↙		
13: 10.0	→	18: 10.1	↖		
14: 9.8	↗	19: 10.3	↙		
15: 10.2	↙	20: 9.9	↙		
				Total	194



1: 10.2 ↗	6: 10.1 ↗	Serie	94
2: 9.5 ↖	7: 9.7 ↗		
3: 9.2 ↗	8: 10.7x →	Total	0
4: 10.3 ↖	9: 9.7 ↗		
5: 10.0 ↗	10: 8.4 →		

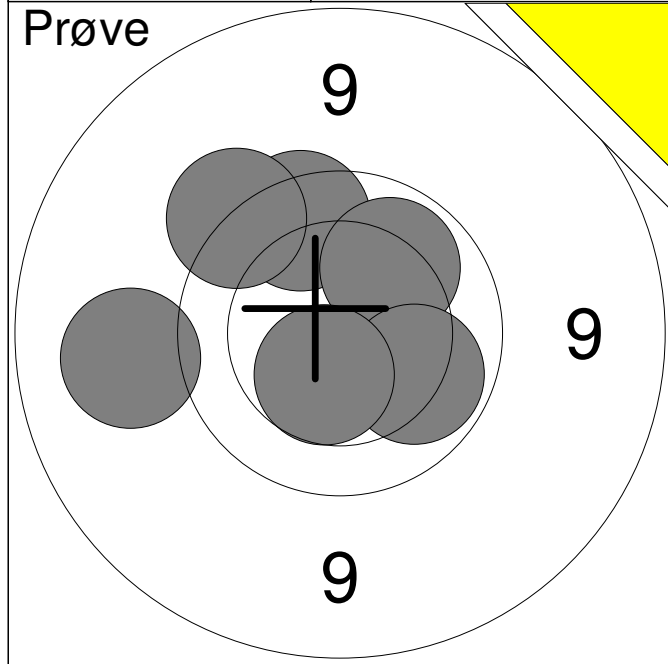
11: 9.9 ↓	Serie	48
12: 10.5x ↖		
13: 10.1 ↘	Total	0
14: 9.7 ←		
15: 10.1 ↓		



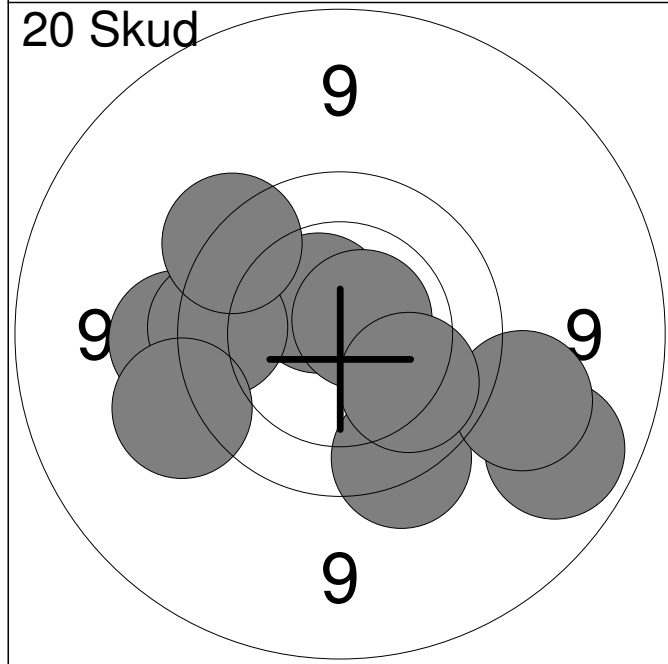
1: 10.5x →	6: 10.5x ↓	Serie	96
2: 10.2 ↖	7: 10.0 ↓		
3: 10.1 ↗	8: 9.9 ↘	Total	96
4: 9.6 ↖	9: 10.2 ↓		
5: 9.4 ←	10: 9.9 →		

11: 10.1 ↗	16: 10.1 ↖	Serie	96
12: 10.3 ↗	17: 10.4 →		
13: 10.1 ↖	18: 9.7 ↖	Total	192
14: 9.9 ←	19: 9.1 ←		
15: 10.4 ↘	20: 9.9 ←		

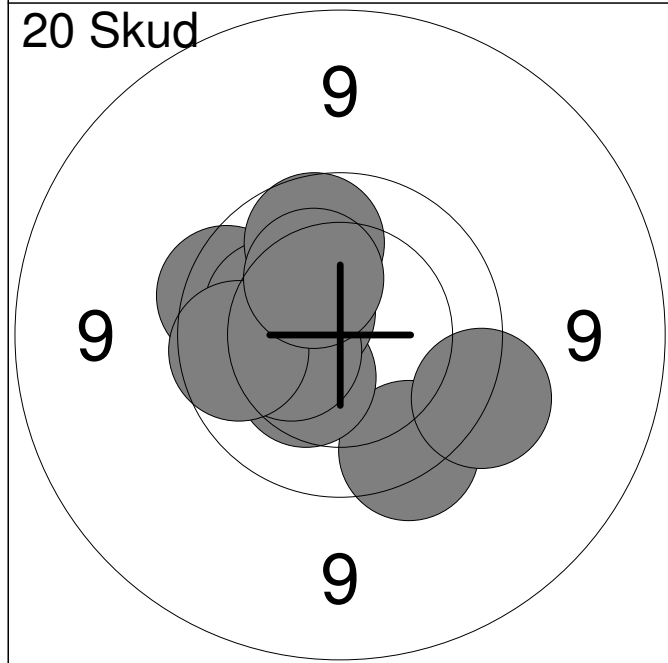




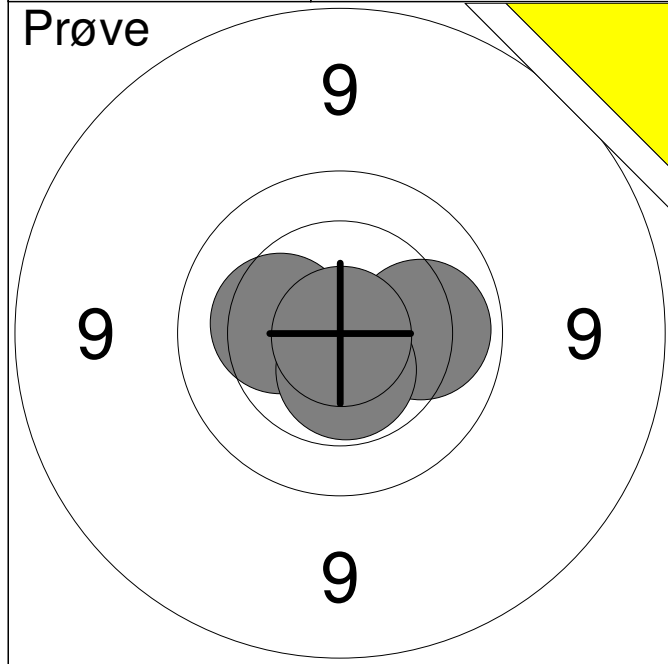
1:	9.8	↑
2:	10.1	↗
3:	9.6	↗
4:	10.0	↘
5:	9.2	←
6:	10.5	↘
<b>Serie</b>		<b>57.0</b>
<b>Total</b>		<b>0.0</b>



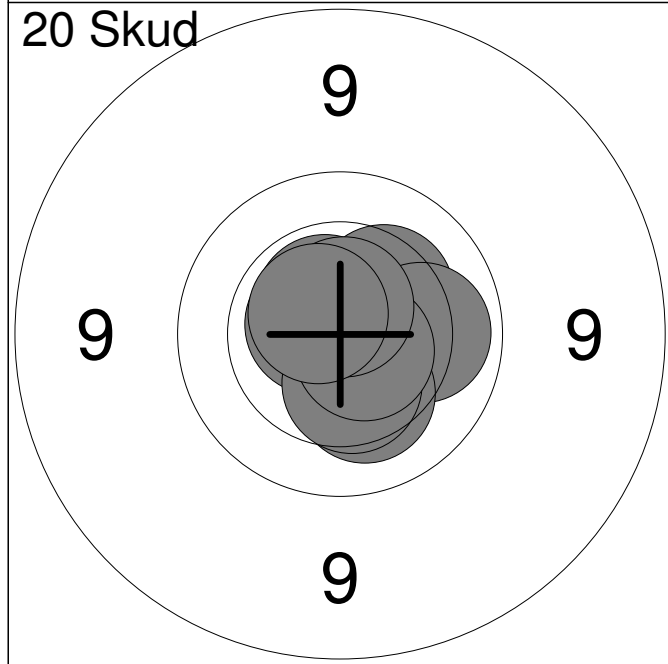
1:	9.7	↘
2:	9.5	←
3:	10.5x	↗
4:	9.8	←
5:	9.7	↗
6:	9.0	↘
7:	9.4	←
8:	10.7x	↗
9:	9.3	→
10:	10.0	↘
<b>Serie</b>		<b>93.0</b>
<b>Total</b>		<b>93.0</b>



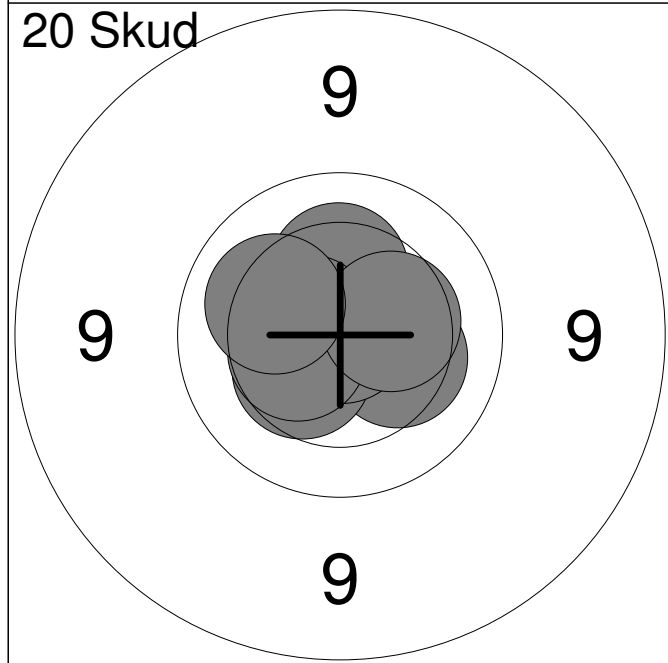
11:	9.7	↘
12:	9.6	→
13:	9.8	←
14:	10.4	↘
15:	10.2	↗
16:	9.9	↗
17:	10.5x	↗
18:	10.4	←
19:	9.9	←
20:	10.3	↗
<b>Serie</b>		<b>95.0</b>
<b>Total</b>		<b>188.0</b>



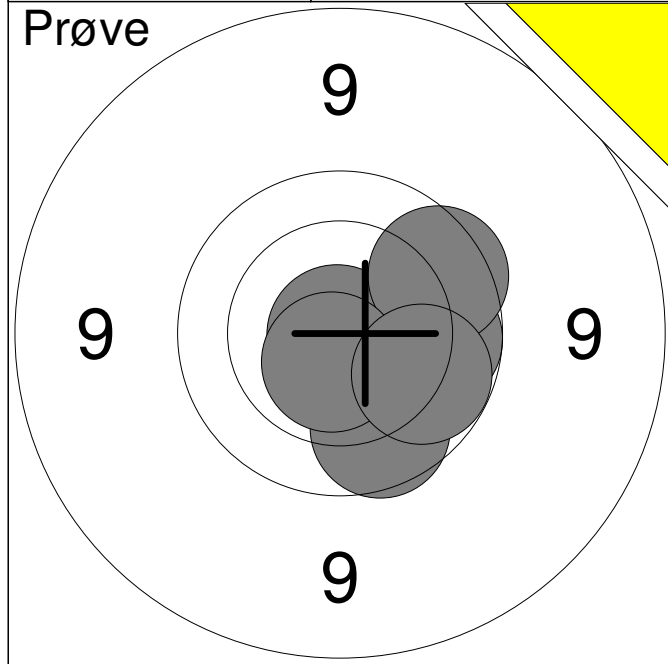
1:	10.7x	↘
2:	10.1	→
3:	10.3	←
4:	10.6x	↘
5:	10.9x	↘
<b>Serie</b>		<b>50.0</b>
<b>Total</b>		<b>0.0</b>



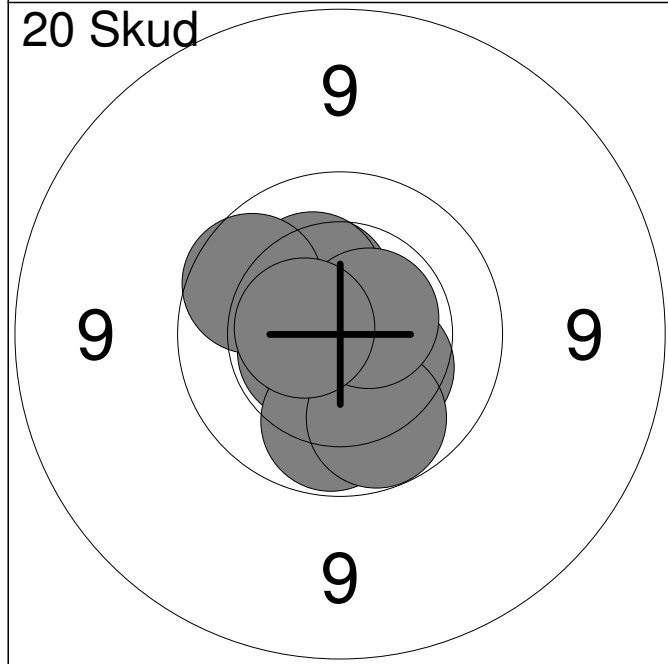
1:	10.7x	↖
2:	10.8x	↑
3:	10.3	↗
4:	10.6x	↑
5:	10.1	→
6:	10.3	↘
7:	10.4	↘
8:	10.6x	↘
9:	10.7x	↑
10:	10.6x	↖
<b>Serie</b>		<b>100.0</b>
<b>Total</b>		<b>100.0</b>



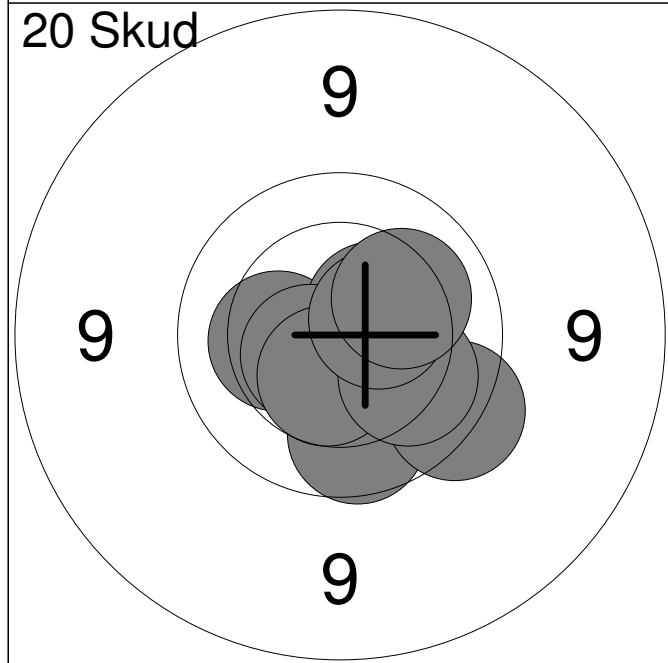
11:	10.3	↗
12:	10.6x	↑
13:	10.9x	↗
14:	10.4	↖
15:	10.9x	↗
16:	10.3	↑
17:	10.6x	↖
18:	10.5	←
19:	10.4	→
20:	10.2	↖
<b>Serie</b>		<b>100.0</b>
<b>Total</b>		<b>200.0</b>



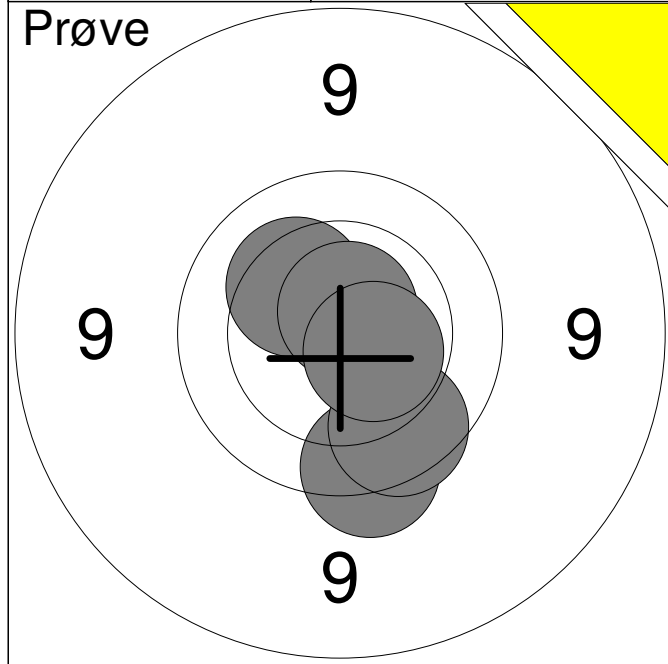
1:	9.9	↓
2:	10.8x	↘
3:	10.0	→
4:	10.9x	↙
5:	9.8	↗
6:	10.6x	↓
7:	10.0	↘
<b>Serie</b>		<b>68.0</b>
<b>Total</b>		<b>0.0</b>



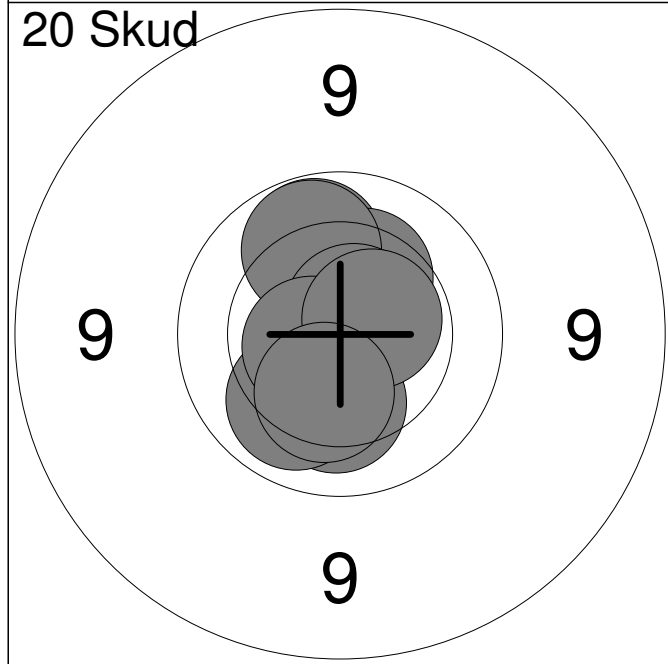
1:	10.6x	↙
2:	10.4	↑
3:	10.4	↘
4:	10.3	↗
5:	9.9	↗
6:	10.7x	↙
7:	10.0	↓
8:	10.0	↓
9:	10.6x	↗
10:	10.6x	↙
<b>Serie</b>		<b>99.0</b>
<b>Total</b>		<b>99.0</b>



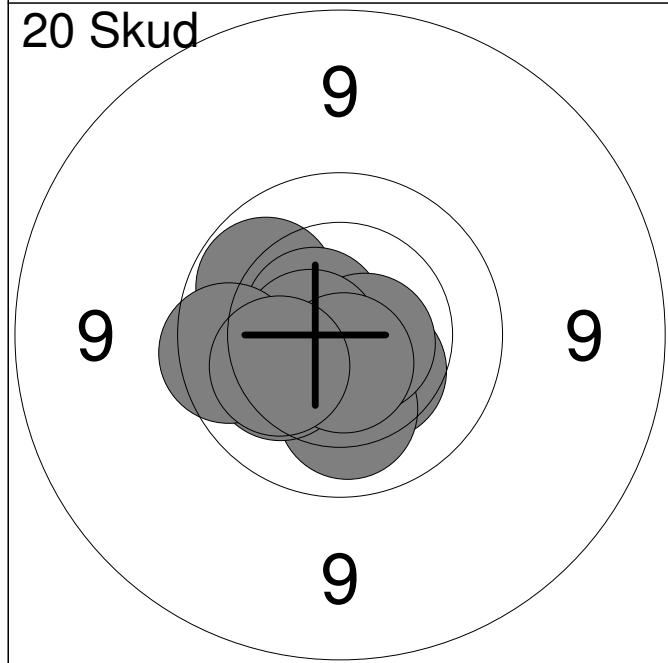
11:	9.9	↓
12:	10.6x	↘
13:	10.3	↙
14:	10.5x	↗
15:	10.6x	↙
16:	10.5	↓
17:	9.7	↘
18:	10.1	↘
19:	10.5x	↗
20:	10.2	↗
<b>Serie</b>		<b>98.0</b>
<b>Total</b>		<b>197.0</b>



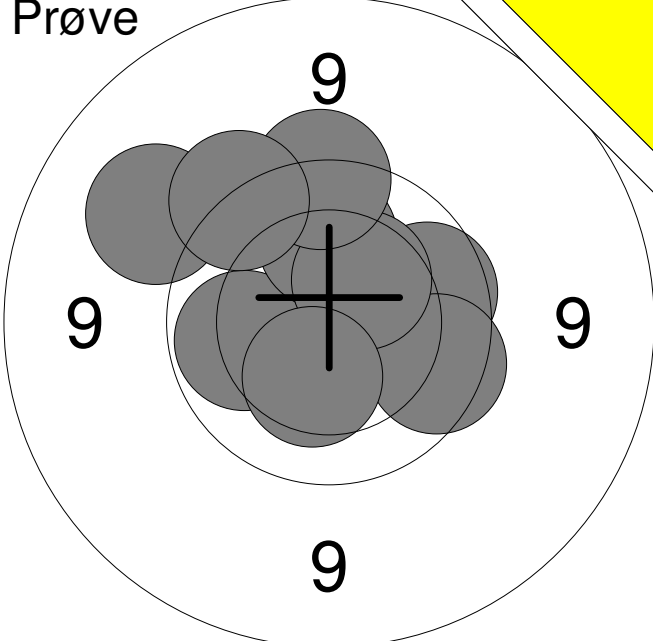
1:	9.7	↓
2:	9.8	↓
3:	10.3	↗
4:	10.7x	↗
5:	10.5x	↓
<b>Serie</b>		<b>48.0</b>
<b>Total</b>		<b>0.0</b>

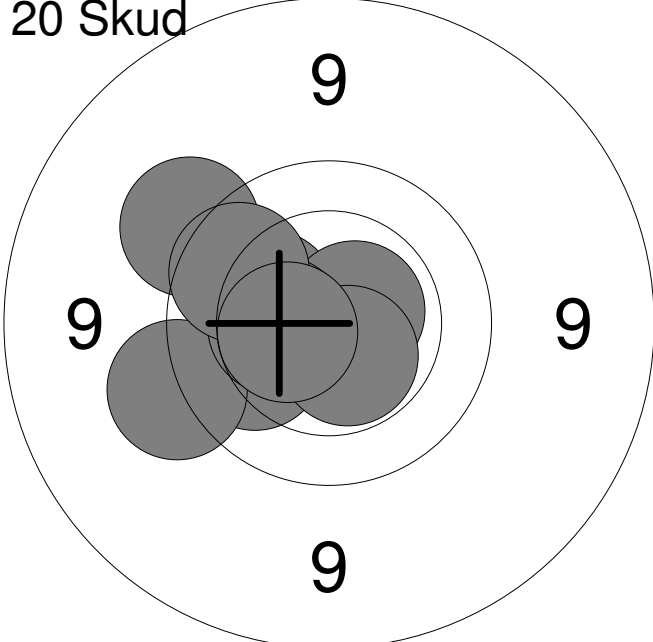


1:	10.0	↖
2:	10.5x	↓
3:	10.2	↓
4:	10.3	↗
5:	10.1	↙
6:	10.0	↖
7:	10.7x	↗
8:	10.6x	←
9:	10.6x	→
10:	10.3	↓
<b>Serie</b>		<b>100.0</b>
<b>Total</b>		<b>100.0</b>

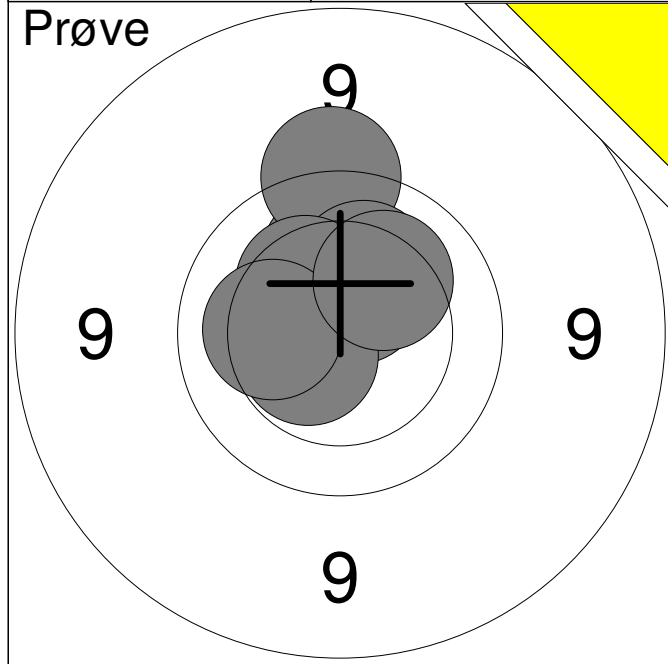


11:	10.4	↓
12:	10.1	↓
13:	10.0	↗
14:	10.6x	↗
15:	10.7x	↓
16:	10.6x	←
17:	10.2	↙
18:	10.6x	↓
19:	9.8	←
20:	10.2	↙
<b>Serie</b>		<b>99.0</b>
<b>Total</b>		<b>199.0</b>

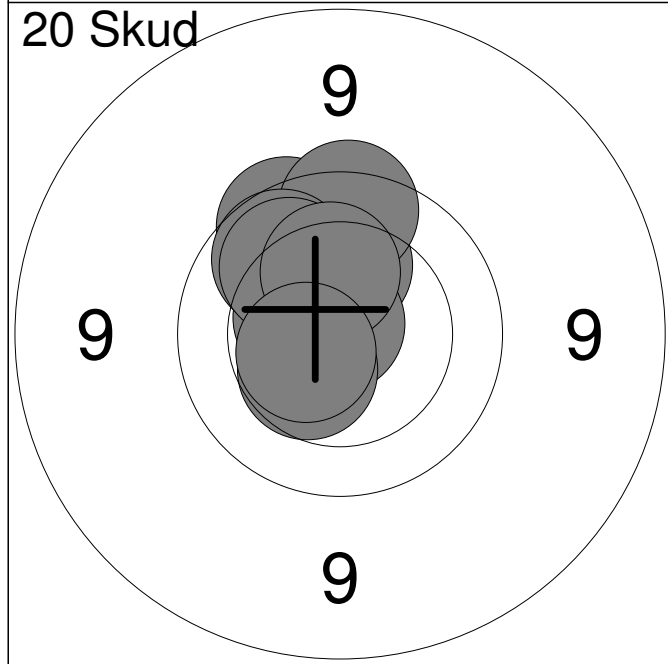
<p><b>Prøve</b></p> 	<table style="width:100%; border-collapse: collapse;"> <tr><td style="width:5%;">1:</td><td style="width:15%;">10.0</td><td style="width:10%; text-align: right;">←</td></tr> <tr><td>2:</td><td>10.3</td><td style="text-align: right;">→</td></tr> <tr><td>3:</td><td>9.9</td><td style="text-align: right;">→</td></tr> <tr><td>4:</td><td>10.1</td><td style="text-align: right;">↑</td></tr> <tr><td>5:</td><td>9.8</td><td style="text-align: right;">→</td></tr> <tr><td>6:</td><td>9.3</td><td style="text-align: right;">↗</td></tr> <tr><td>7:</td><td>10.4</td><td style="text-align: right;">↗</td></tr> <tr><td>8:</td><td>9.6</td><td style="text-align: right;">↑</td></tr> <tr><td>9:</td><td>9.6</td><td style="text-align: right;">↗</td></tr> <tr><td>10:</td><td>10.3</td><td style="text-align: right;">↓</td></tr> <tr><td colspan="2"><b>Serie</b></td><td style="text-align: right;"><b>95.0</b></td></tr> <tr><td colspan="2"><b>Total</b></td><td style="text-align: right;"><b>0.0</b></td></tr> </table>	1:	10.0	←	2:	10.3	→	3:	9.9	→	4:	10.1	↑	5:	9.8	→	6:	9.3	↗	7:	10.4	↗	8:	9.6	↑	9:	9.6	↗	10:	10.3	↓	<b>Serie</b>		<b>95.0</b>	<b>Total</b>		<b>0.0</b>
1:	10.0	←																																			
2:	10.3	→																																			
3:	9.9	→																																			
4:	10.1	↑																																			
5:	9.8	→																																			
6:	9.3	↗																																			
7:	10.4	↗																																			
8:	9.6	↑																																			
9:	9.6	↗																																			
10:	10.3	↓																																			
<b>Serie</b>		<b>95.0</b>																																			
<b>Total</b>		<b>0.0</b>																																			

<p><b>20 Skud</b></p> 	<table style="width:100%; border-collapse: collapse;"> <tr><td style="width:5%;">1:</td><td style="width:15%;">10.4</td><td style="width:10%; text-align: right;">←</td></tr> <tr><td>2:</td><td>10.2</td><td style="text-align: right;">↖</td></tr> <tr><td>3:</td><td>10.1</td><td style="text-align: right;">↖</td></tr> <tr><td>4:</td><td>10.6x</td><td style="text-align: right;">→</td></tr> <tr><td>5:</td><td>10.5x</td><td style="text-align: right;">↓</td></tr> <tr><td>6:</td><td>9.5</td><td style="text-align: right;">←</td></tr> <tr><td>7:</td><td>9.5</td><td style="text-align: right;">↗</td></tr> <tr><td>8:</td><td>10.4</td><td style="text-align: right;">←</td></tr> <tr><td>9:</td><td>9.9</td><td style="text-align: right;">↗</td></tr> <tr><td>10:</td><td>10.5x</td><td style="text-align: right;">←</td></tr> <tr><td colspan="2"><b>Serie</b></td><td style="text-align: right;"><b>97.0</b></td></tr> <tr><td colspan="2"><b>Total</b></td><td style="text-align: right;"><b>97.0</b></td></tr> </table>	1:	10.4	←	2:	10.2	↖	3:	10.1	↖	4:	10.6x	→	5:	10.5x	↓	6:	9.5	←	7:	9.5	↗	8:	10.4	←	9:	9.9	↗	10:	10.5x	←	<b>Serie</b>		<b>97.0</b>	<b>Total</b>		<b>97.0</b>
1:	10.4	←																																			
2:	10.2	↖																																			
3:	10.1	↖																																			
4:	10.6x	→																																			
5:	10.5x	↓																																			
6:	9.5	←																																			
7:	9.5	↗																																			
8:	10.4	←																																			
9:	9.9	↗																																			
10:	10.5x	←																																			
<b>Serie</b>		<b>97.0</b>																																			
<b>Total</b>		<b>97.0</b>																																			

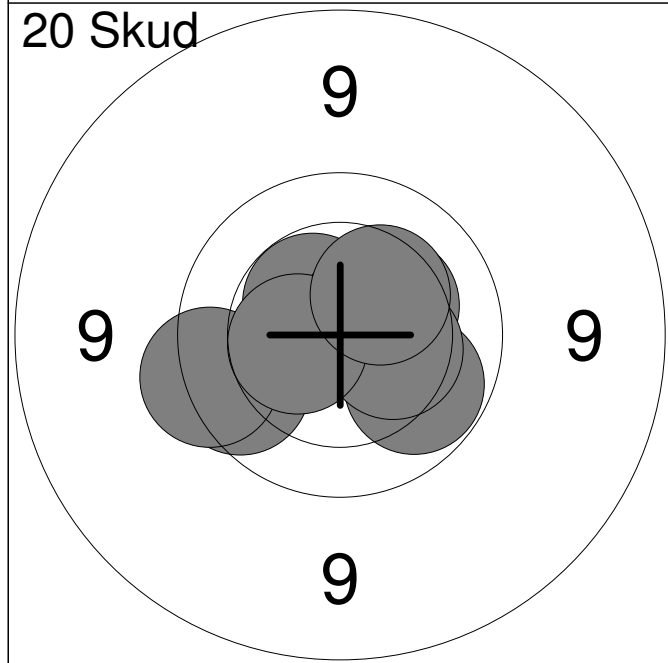
<p><b>20 Skud</b></p> 	<table style="width:100%; border-collapse: collapse;"> <tr><td style="width:5%;">11:</td><td style="width:15%;">10.0</td><td style="width:10%; text-align: right;">→</td></tr> <tr><td>12:</td><td>9.7</td><td style="text-align: right;">↗</td></tr> <tr><td>13:</td><td>9.3</td><td style="text-align: right;">→</td></tr> <tr><td>14:</td><td>9.3</td><td style="text-align: right;">↗</td></tr> <tr><td>15:</td><td>10.3</td><td style="text-align: right;">↓</td></tr> <tr><td>16:</td><td>10.8x</td><td style="text-align: right;">→</td></tr> <tr><td>17:</td><td>10.7x</td><td style="text-align: right;">↗</td></tr> <tr><td>18:</td><td>10.4</td><td style="text-align: right;">↓</td></tr> <tr><td>19:</td><td>9.8</td><td style="text-align: right;">→</td></tr> <tr><td>20:</td><td>10.2</td><td style="text-align: right;">↓</td></tr> <tr><td colspan="2"><b>Serie</b></td><td style="text-align: right;"><b>96.0</b></td></tr> <tr><td colspan="2"><b>Total</b></td><td style="text-align: right;"><b>193.0</b></td></tr> </table>	11:	10.0	→	12:	9.7	↗	13:	9.3	→	14:	9.3	↗	15:	10.3	↓	16:	10.8x	→	17:	10.7x	↗	18:	10.4	↓	19:	9.8	→	20:	10.2	↓	<b>Serie</b>		<b>96.0</b>	<b>Total</b>		<b>193.0</b>
11:	10.0	→																																			
12:	9.7	↗																																			
13:	9.3	→																																			
14:	9.3	↗																																			
15:	10.3	↓																																			
16:	10.8x	→																																			
17:	10.7x	↗																																			
18:	10.4	↓																																			
19:	9.8	→																																			
20:	10.2	↓																																			
<b>Serie</b>		<b>96.0</b>																																			
<b>Total</b>		<b>193.0</b>																																			



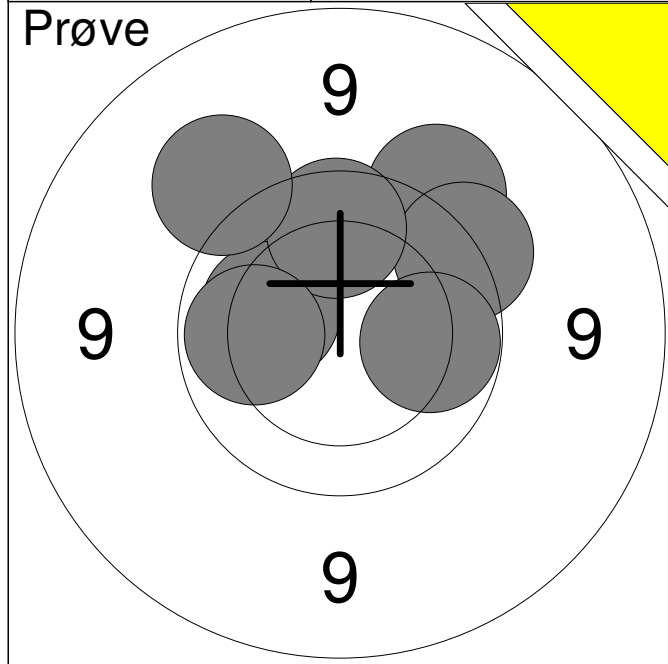
1:	10.1	↑
2:	9.6	↑
3:	10.2	↑
4:	10.5x	↑
5:	10.3	↖
6:	10.5x	↖
7:	10.2	←
8:	10.2	↗
<b>Serie</b>		<b>79.0</b>
<b>Total</b>		<b>0.0</b>



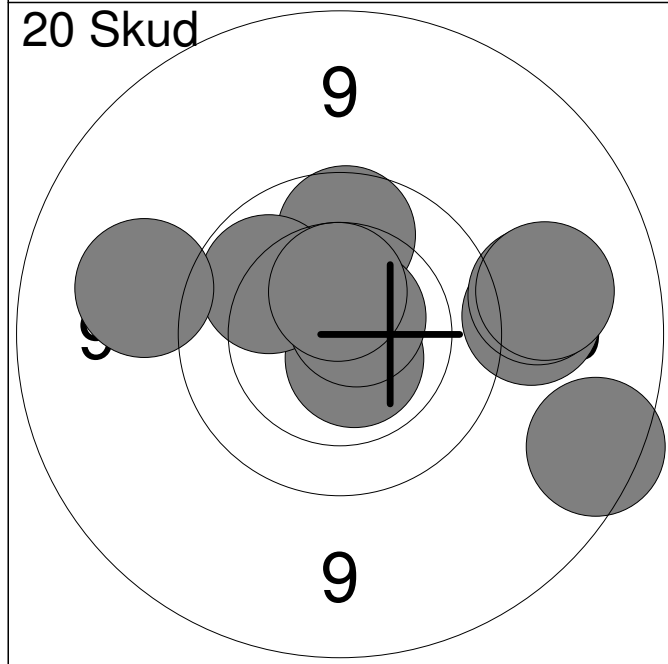
1:	9.8	↖
2:	10.2	↑
3:	9.8	↑
4:	10.5x	↖
5:	9.9	↗
6:	10.8x	↑
7:	10.4	↖
8:	10.1	↗
9:	10.3	↑
10:	10.5x	↖
<b>Serie</b>		<b>97.0</b>
<b>Total</b>		<b>97.0</b>



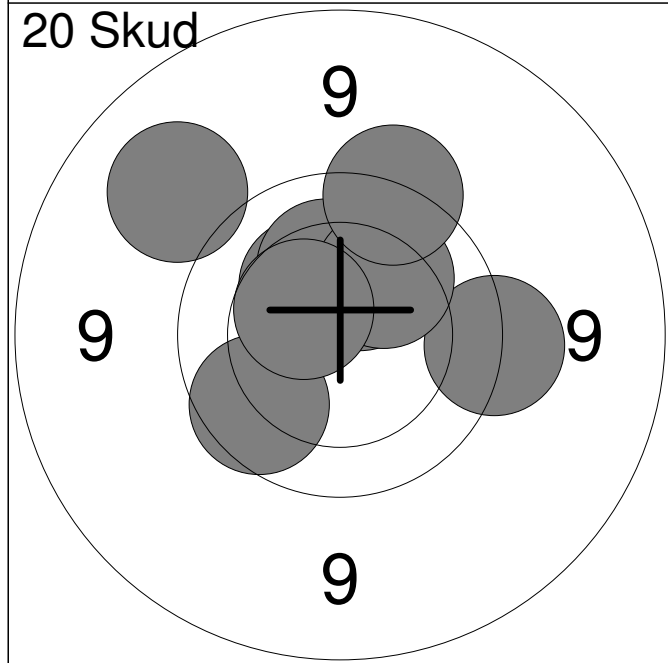
11:	10.5x	↖
12:	10.3	↗
13:	10.6x	↗
14:	10.6x	→
15:	10.0	↘
16:	10.4	→
17:	9.8	↖
18:	9.7	←
19:	10.5	←
20:	10.3	↗
<b>Serie</b>		<b>98.0</b>
<b>Total</b>		<b>195.0</b>



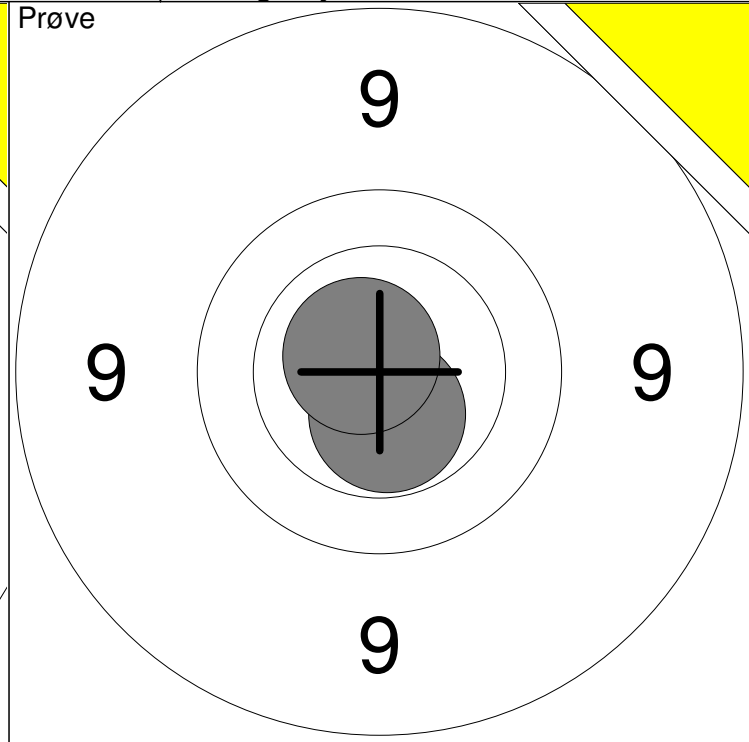
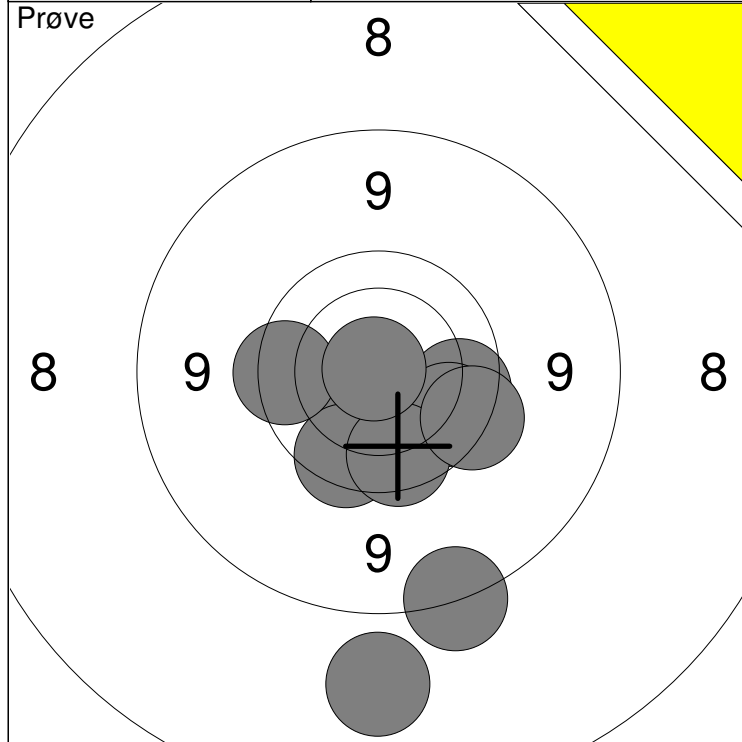
1:	9.5	↗
2:	10.2	↖
3:	9.6	↗
4:	9.9	↑
5:	10.0	↖
6:	9.4	↗
7:	10.0	→
<b>Serie</b>		<b>66.0</b>
<b>Total</b>		<b>0.0</b>



1:	9.3	→
2:	8.8	↘
3:	10.6x	↘
4:	9.9	↑
5:	10.0	↗
6:	9.3	↖
7:	10.7x	↗
8:	9.3	→
9:	10.5x	↑
10:	9.2	→
<b>Serie</b>		<b>93.0</b>
<b>Total</b>		<b>93.0</b>

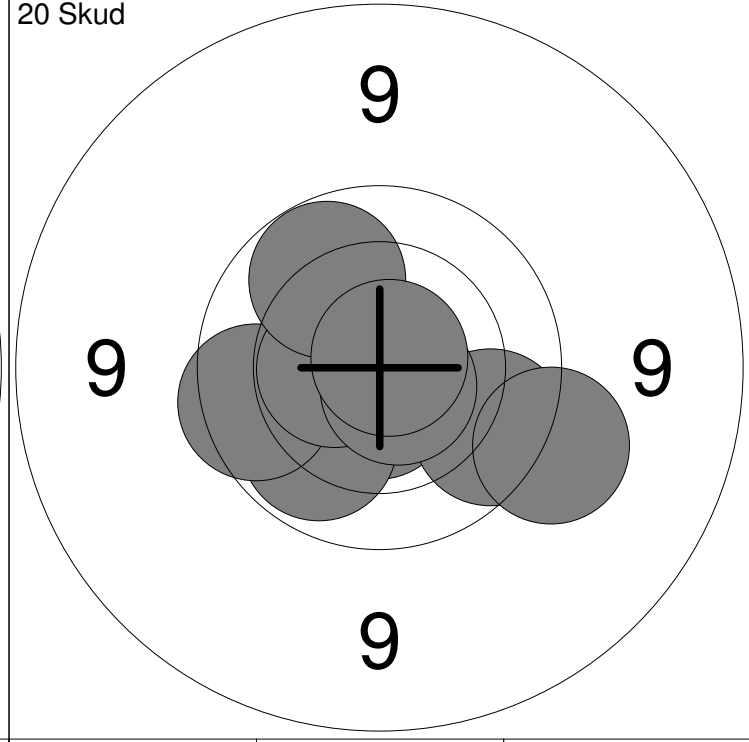
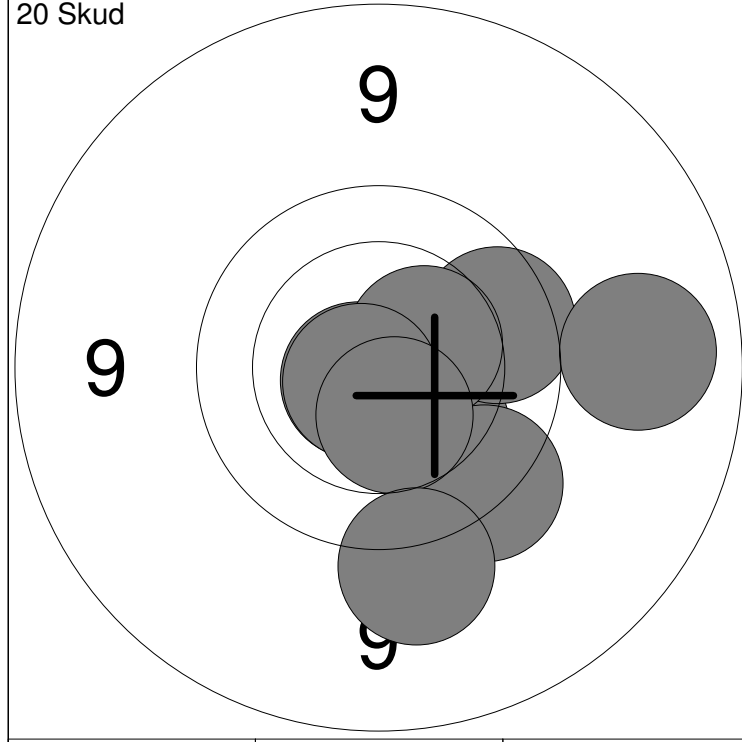


11:	9.2	↖
12:	10.3	↑
13:	10.4	↗
14:	10.3	↗
15:	10.2	↑
16:	9.6	→
17:	9.9	↖
18:	10.2	↗
19:	9.6	↗
20:	10.5	↖
<b>Serie</b>		<b>96.0</b>
<b>Total</b>		<b>189.0</b>



1: 8.3 ↓	6: 9.8 ↘	Serie	90
2: 8.7 ↓	7: 9.8 ↓		
3: 10.2 ↓	8: 9.7 ←	Total	0
4: 9.8 →	9: 10.9x ↗		
5: 9.8 ↓	10: 9.7 ↘		

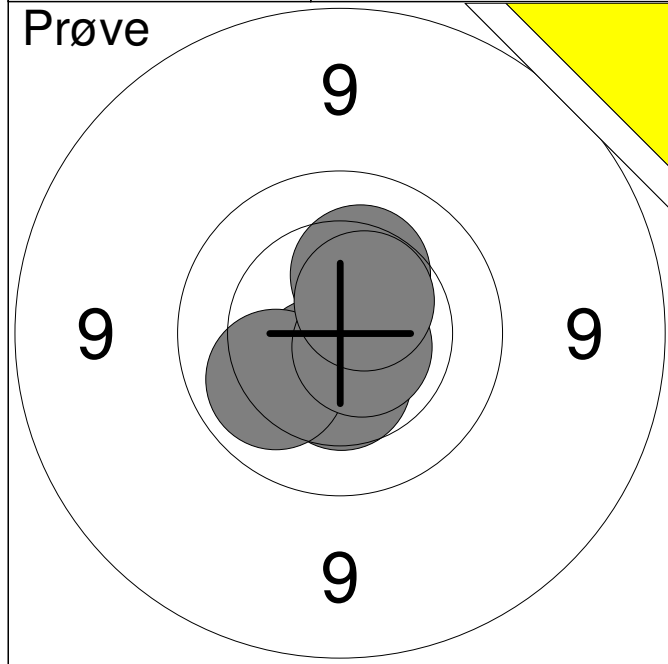
11: 10.5x ↓	Serie	20
12: 10.7x ↗		
Total		0



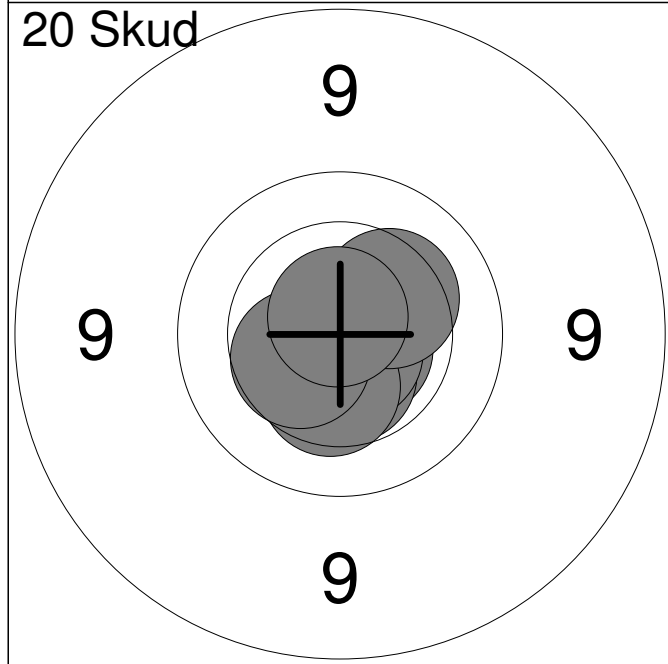
1: 10.7x ↙	6: 9.7 ↓	Serie	96
2: 10.8x ↓	7: 10.7x ↙		
3: 10.2 ↓	8: 10.5 ↓	Total	96
4: 9.8 →	9: 9.4 ↓		
5: 10.5 ↗	10: 9.1 →		

11: 10.4 ↙	16: 10.5x ←	Serie	97
12: 10.6x ↓	17: 10.7x ↓		
13: 9.8 →	18: 10.0 ↗	Total	193
14: 10.0 ↙	19: 9.5 →		
15: 9.8 ←	20: 10.8x ↗		

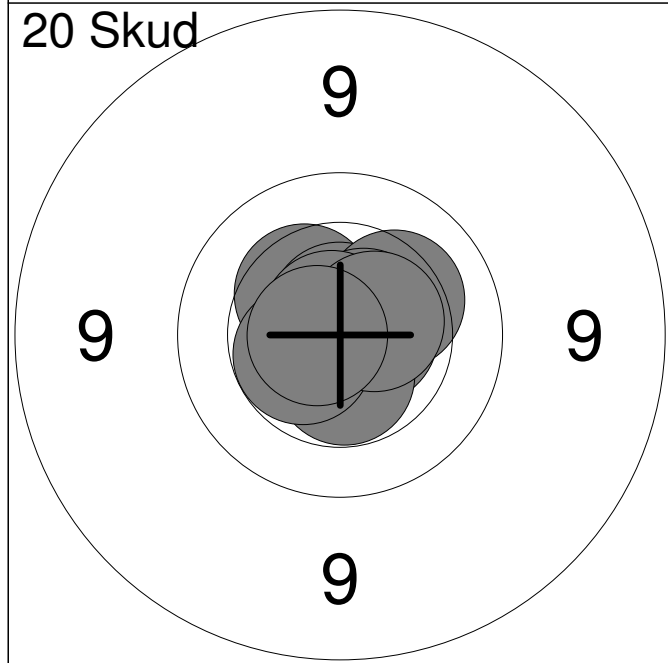




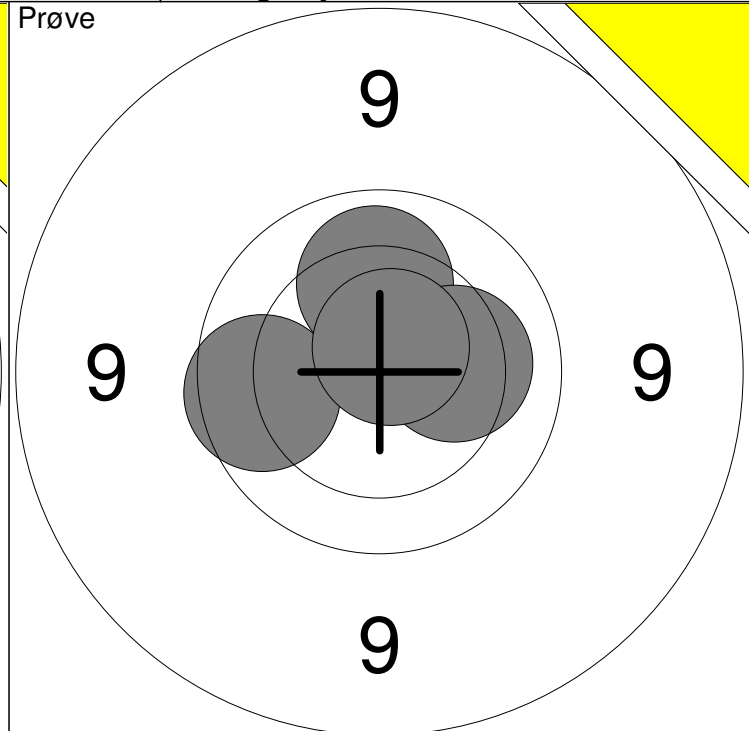
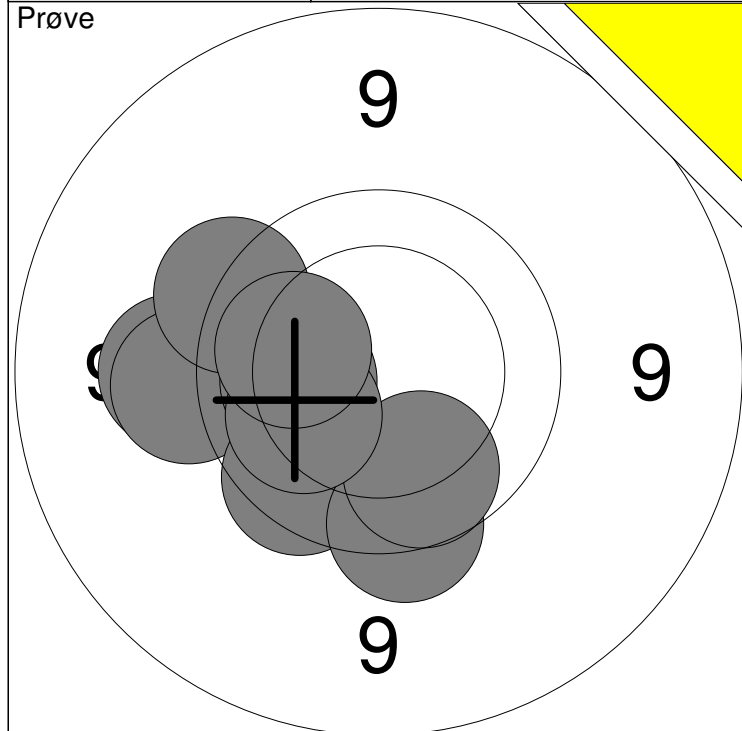
1:	10.5x	↙
2:	10.4	↓
3:	10.1	↙
4:	10.7x	→
5:	10.3	↑
6:	10.5x	↗
<b>Serie</b>		<b>60.0</b>
<b>Total</b>		<b>0.0</b>



1:	10.8x	↑
2:	10.8x	↙
3:	10.7x	→
4:	10.5x	↓
5:	10.8x	↓
6:	10.7x	↘
7:	10.4	↓
8:	10.4	↙
9:	10.3	↗
10:	10.8x	↑
<b>Serie</b>		<b>100.0</b>
<b>Total</b>		<b>100.0</b>

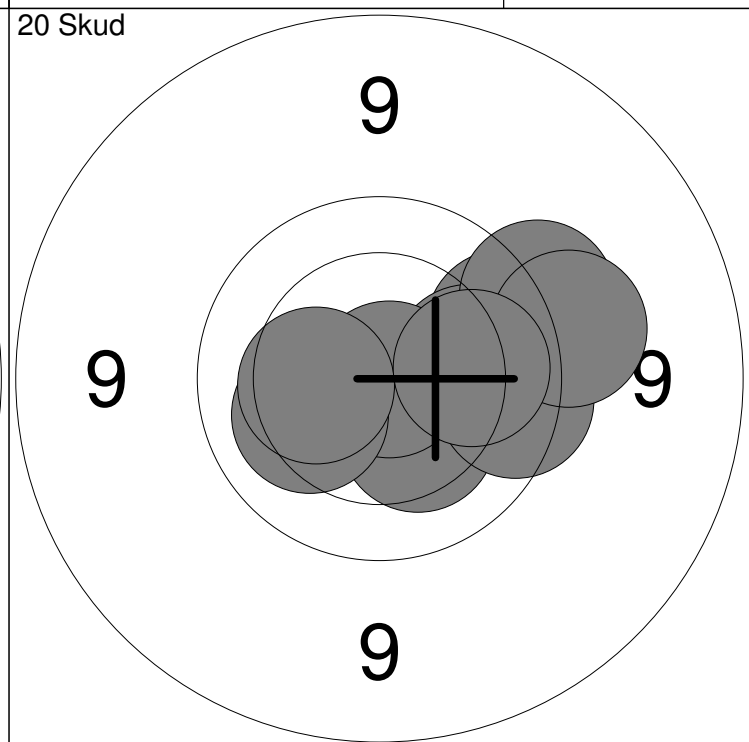
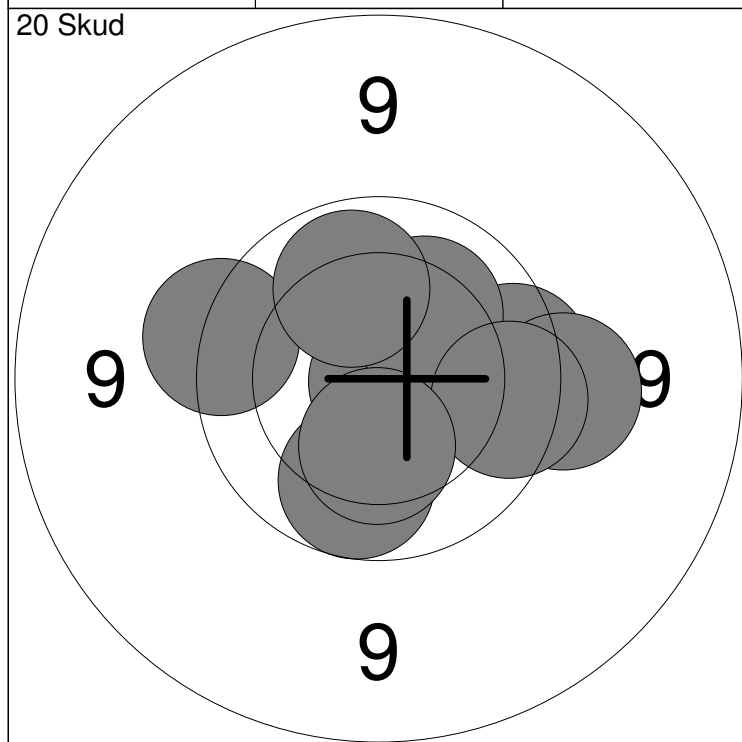


11:	10.4	↖
12:	10.7x	↑
13:	10.3	↗
14:	10.6x	↗
15:	10.8x	↖
16:	10.6x	→
17:	10.5x	↓
18:	10.5x	↙
19:	10.6x	↗
20:	10.7x	←
<b>Serie</b>		<b>100.0</b>
<b>Total</b>		<b>200.0</b>



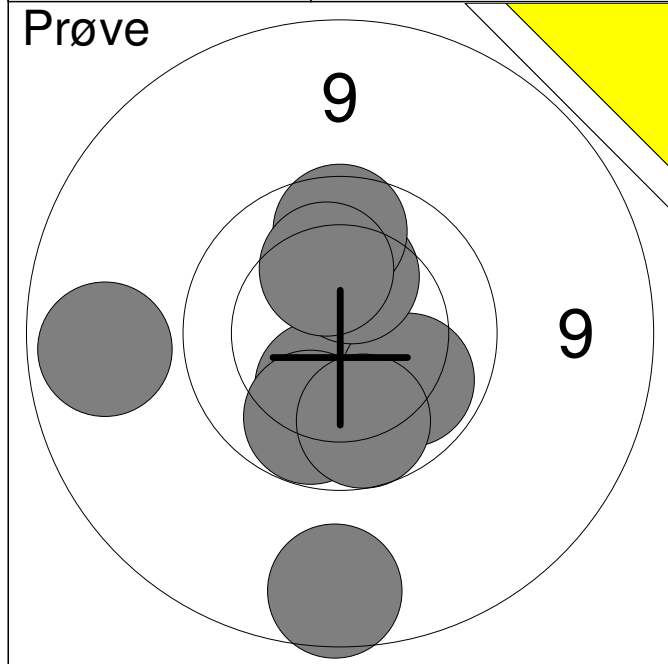
1: 9.9 ↘	6: 9.6 ↗	Serie	93
2: 9.4 ←	7: 9.7 ↓		
3: 9.5 ←	8: 9.9 ↓	Total	0
4: 10.2 ←	9: 10.1 ↙		
5: 9.8 ↙	10: 10.1 ←		

11: 10.1 ↑	Serie	39
12: 9.9 ←		
13: 10.2 →	Total	0
14: 10.7x ↗		



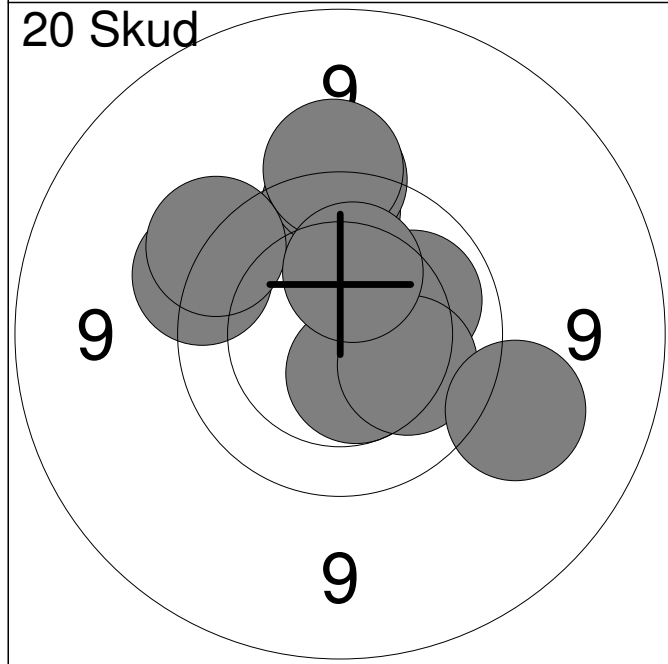
1: 9.7 →	6: 10.2 ↗	Serie	94
2: 9.6 ←	7: 10.0 ↑		
3: 9.8 →	8: 9.8 →	Total	94
4: 10.9x →	9: 9.9 ↓		
5: 9.5 →	10: 10.3 ↓		

11: 9.8 →	16: 9.4 →	Serie	96
12: 10.3 ↓	17: 10.9x →		
13: 10.1 →	18: 10.2 ←	Total	190
14: 9.5 ↗	19: 10.3 ←		
15: 9.8 →	20: 10.1 →		



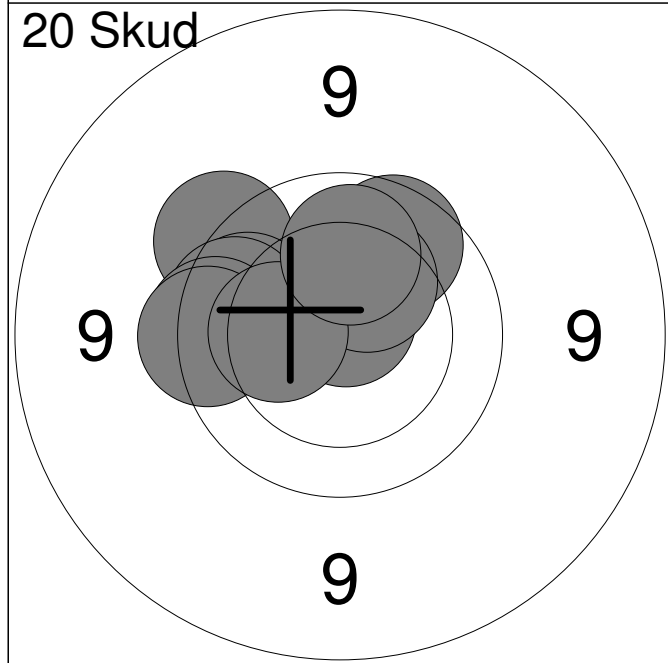
1:	8.9	↓
2:	10.3	↓
3:	10.0	↓
4:	10.0	↘
5:	9.9	↓
6:	9.0	←
7:	10.3	↑
8:	9.9	↑
9:	10.2	↑

Serie	85.0
Total	0.0



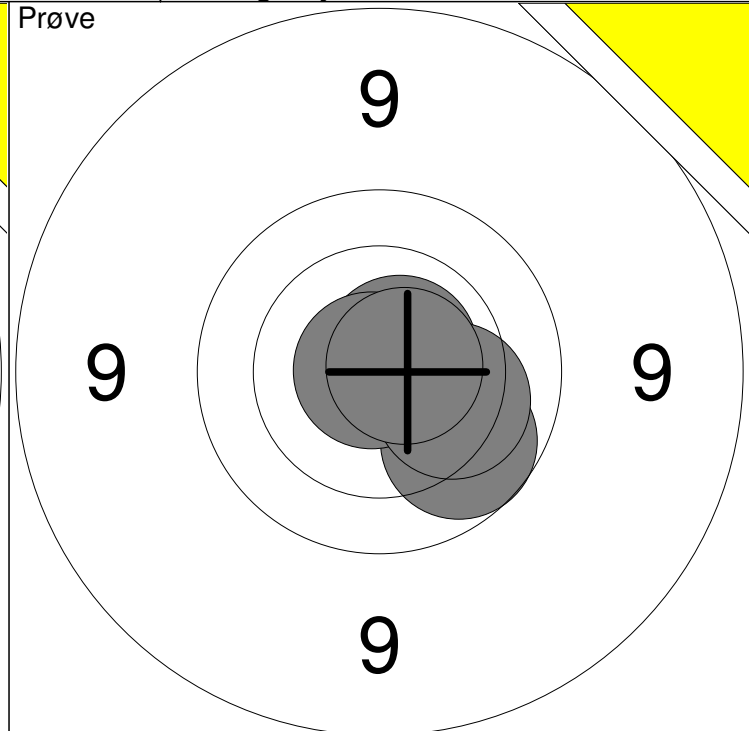
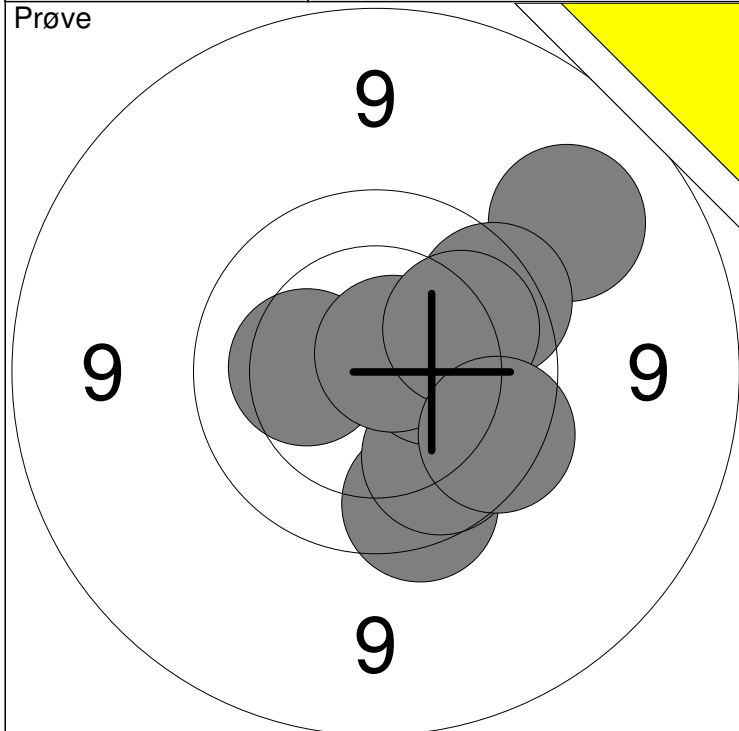
1:	9.8	↑
2:	10.1	↘
3:	9.6	↑
4:	9.6	←
5:	10.5	↓
6:	9.5	↑
7:	10.1	↘
8:	9.6	↗
9:	10.3	↑
10:	9.3	↘

Serie	94.0
Total	94.0



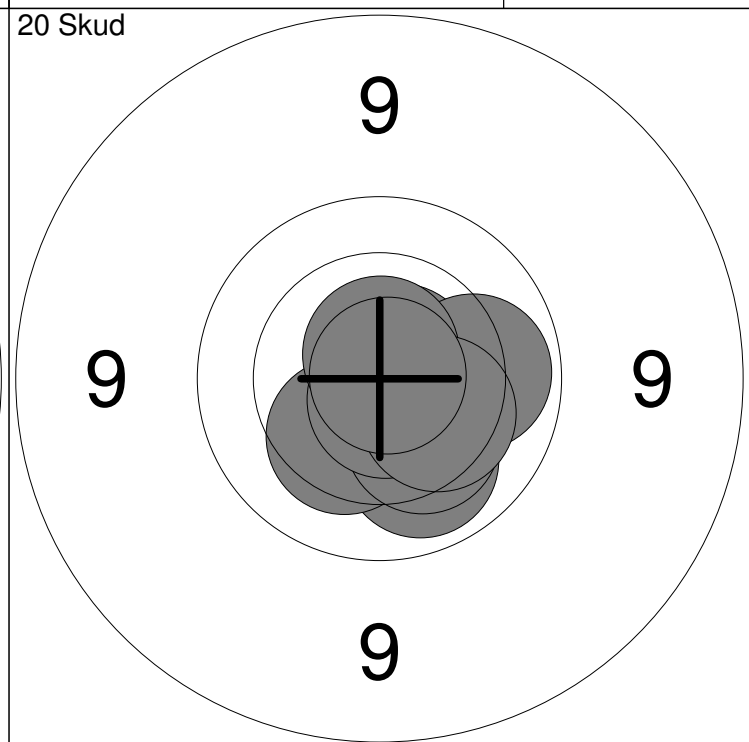
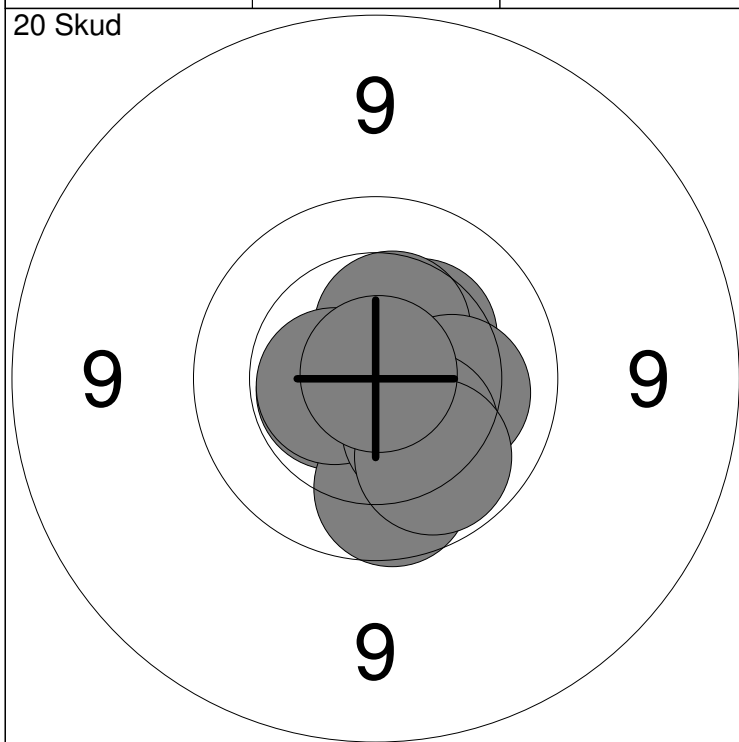
11:	9.6	↗
12:	9.9	←
13:	9.9	↗
14:	9.9	←
15:	9.8	←
16:	10.7x	↑
17:	9.7	←
18:	10.3	↗
19:	10.3	←
20:	10.1	↑

Serie	94.0
Total	188.0



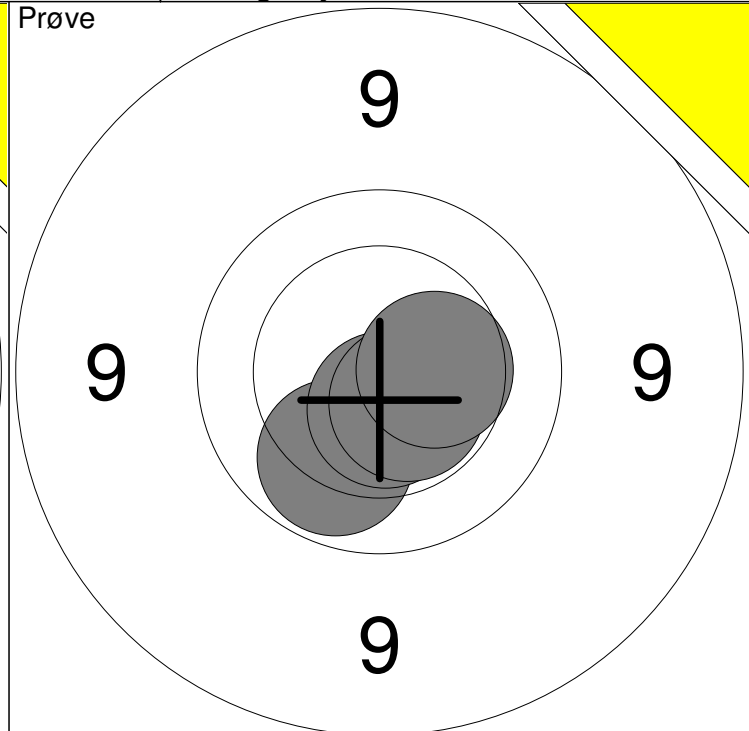
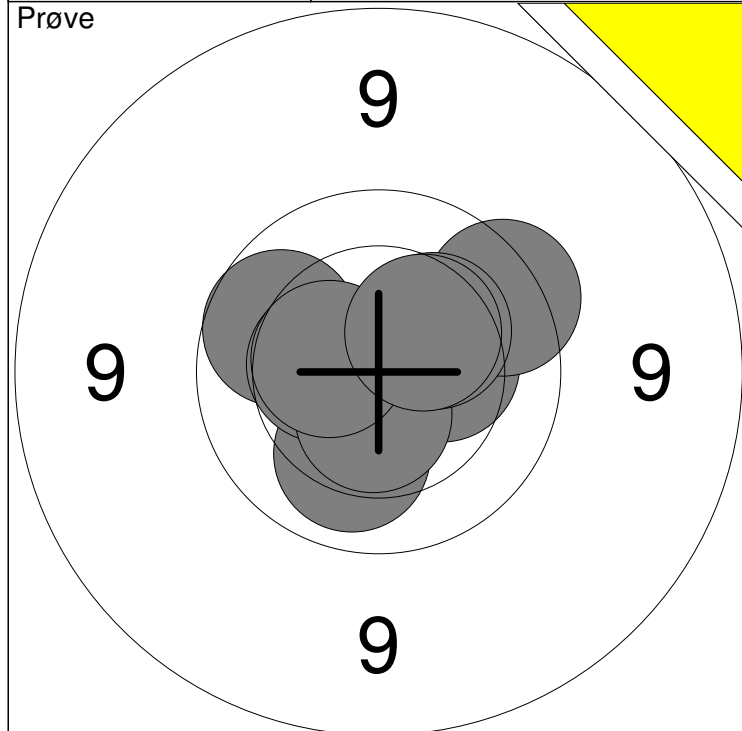
1: 9.2 ↗	6: 10.4 →	Serie	95
2: 10.5x →	7: 10.7x ↗		
3: 9.8 ↓	8: 9.8 ↗	Total	0
4: 9.9 ↓	9: 10.0 ↗		
5: 10.3 ←	10: 9.8 ↘		

11: 10.7x ↗	Serie	49
12: 9.9 ↓		
13: 10.9x ←	Total	0
14: 10.2 →		
15: 10.7x →		



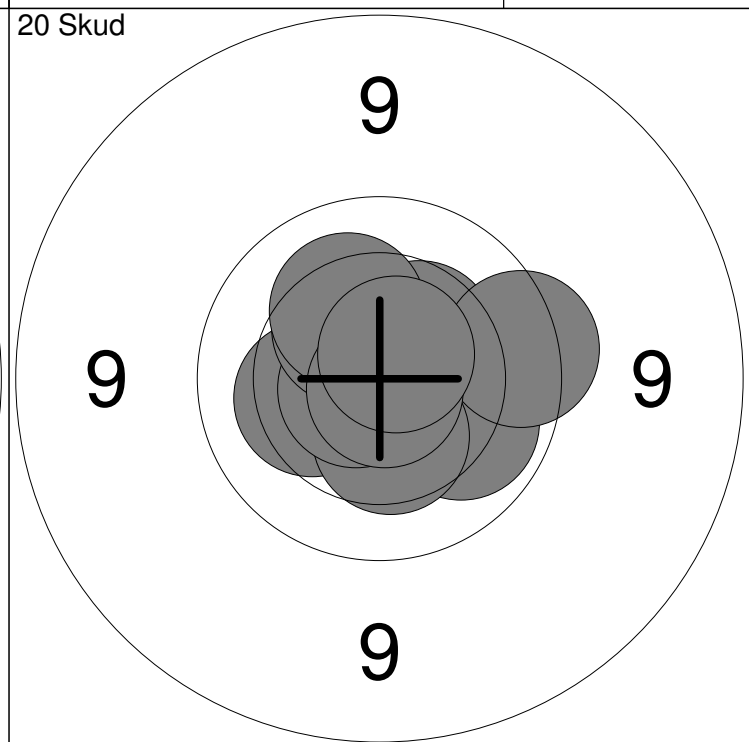
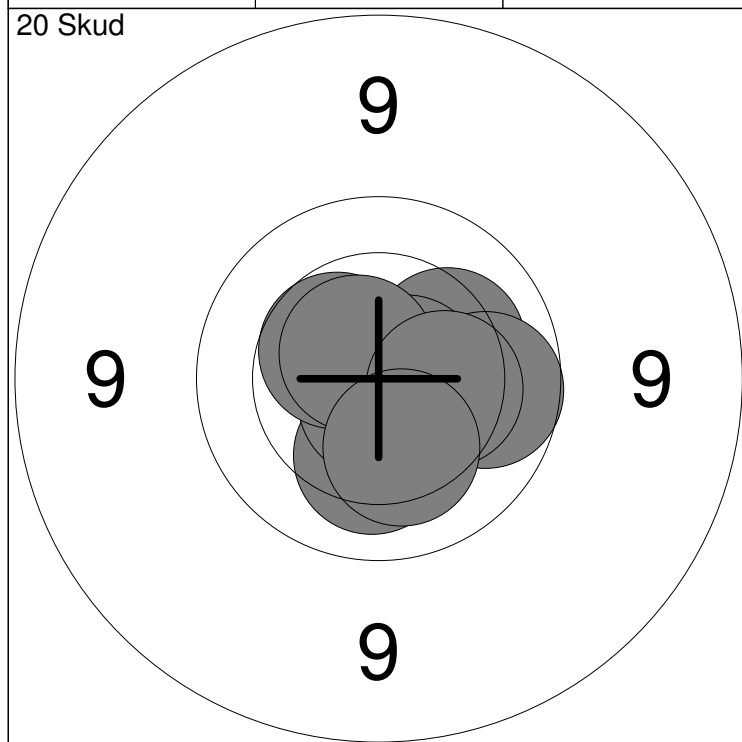
1: 10.5x ←	6: 10.5x ←	Serie	99
2: 10.8x ↗	7: 10.2 →		
3: 10.4 ↗	8: 10.3 ↓	Total	99
4: 10.5 ↗	9: 10.0 ↓		
5: 9.9 ↓	10: 10.9x ↗		

11: 10.1 ↓	16: 10.0 →	Serie	100
12: 10.3 ↓	17: 10.7x ↓		
13: 10.7x ↗	18: 10.7x ↑	Total	199
14: 10.7x ↓	19: 10.3 ↓		
15: 10.3 ↓	20: 10.9x →		



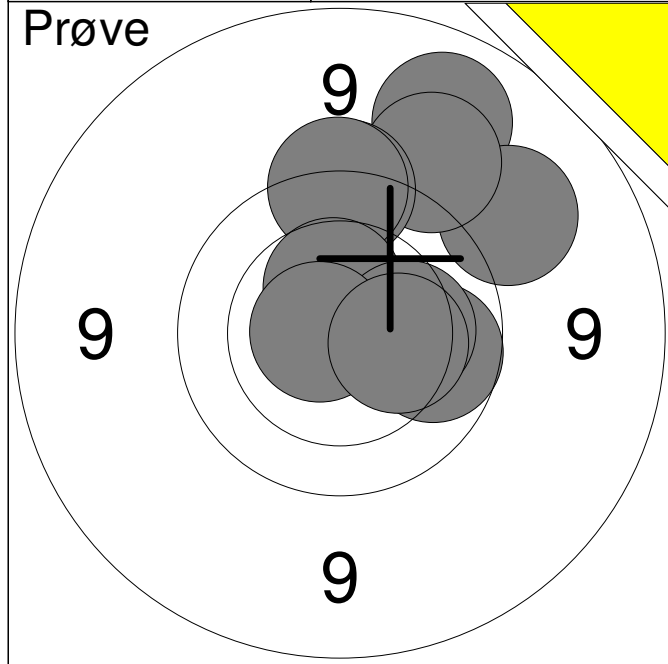
1: 9.9 ↖	6: 10.5x ↓	Serie	98
2: 10.6x ↙	7: 9.7 ↗		
3: 10.1 ↓	8: 10.3 ↗	Total	0
4: 10.4 ↖	9: 10.5 ↖		
5: 10.3 →	10: 10.4 ↗		

11: 10.0 ↙	Serie	40
12: 10.6x ↓		
13: 10.5x ↓	Total	0
14: 10.4 →		

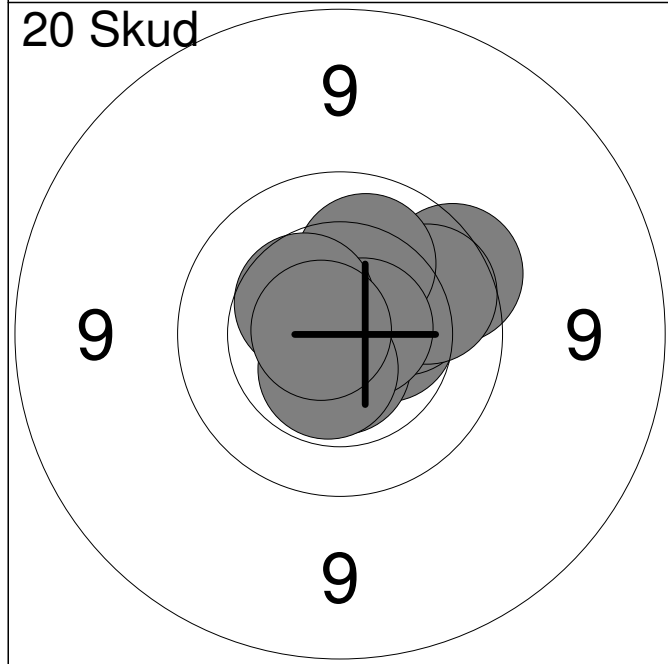


1: 10.2 ↓	6: 10.7x ↓	Serie	99
2: 10.2 ↗	7: 10.5 ↖		
3: 9.9 →	8: 10.6x ↗	Total	99
4: 10.7x →	9: 10.3 →		
5: 10.9x ↖	10: 10.2 ↓		

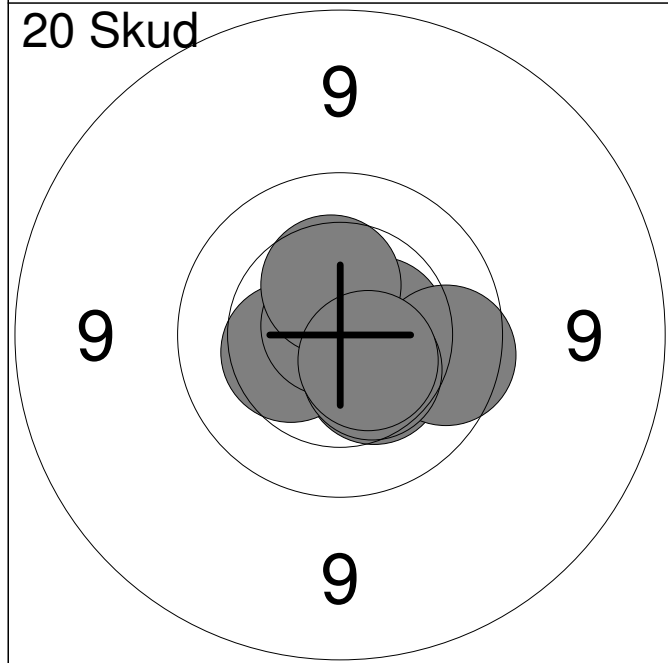
11: 10.4 ↗	16: 10.4 ↖	Serie	99
12: 10.1 →	17: 9.7 →		
13: 10.3 ↖	18: 10.2 ↖	Total	198
14: 10.4 ↓	19: 10.8x ↓		
15: 10.7x ↖	20: 10.7x ↗		



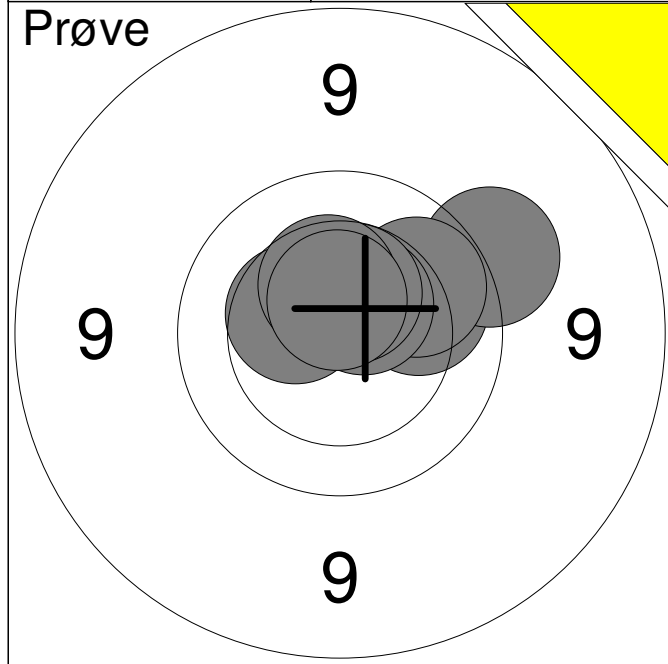
1:	9.1	↗
2:	9.3	↘
3:	9.3	↗
4:	9.6	↑
5:	9.6	↑
6:	10.5	↑
7:	9.9	→
8:	10.2	→
9:	10.7x	←
10:	10.3	→
<b>Serie</b>		<b>94.0</b>
<b>Total</b>		<b>0.0</b>



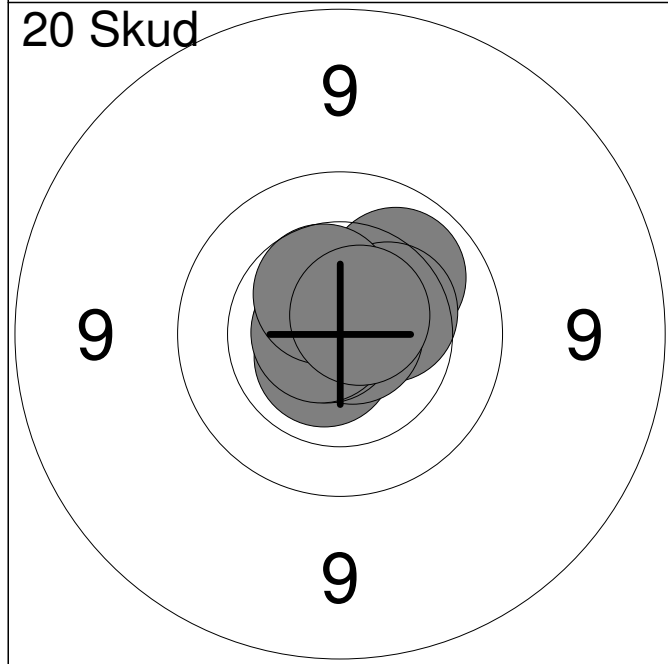
1:	10.5	→
2:	10.2	↘
3:	9.7	↘
4:	10.6x	↓
5:	9.9	↘
6:	10.1	↑
7:	10.7x	→
8:	10.6x	↓
9:	10.4	↗
10:	10.7x	←
<b>Serie</b>		<b>98.0</b>
<b>Total</b>		<b>98.0</b>



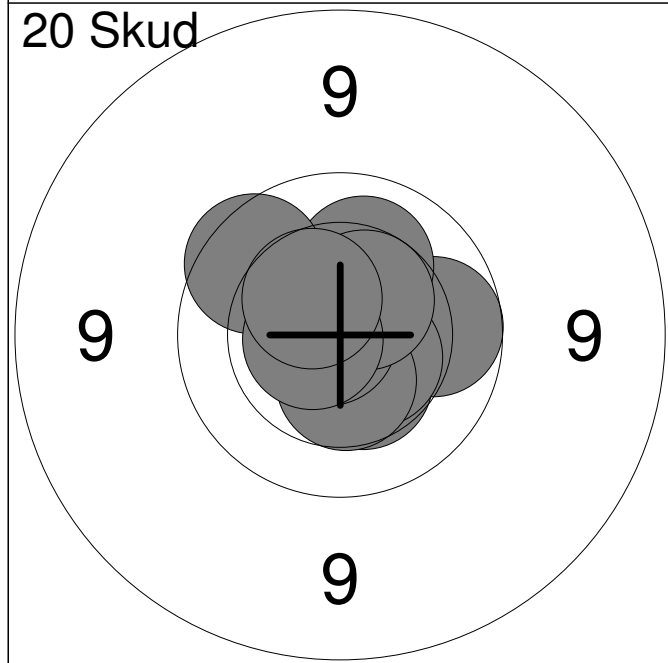
11:	10.4	→
12:	10.4	↓
13:	10.4	←
14:	10.8x	↑
15:	10.8x	↗
16:	10.6x	→
17:	9.9	→
18:	10.4	↑
19:	10.4	↓
20:	10.5x	↓
<b>Serie</b>		<b>99.0</b>
<b>Total</b>		<b>197.0</b>



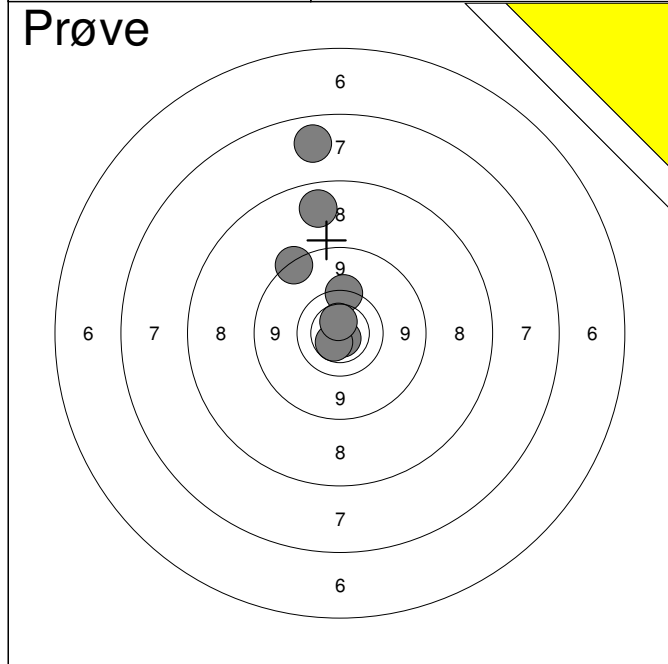
1:	10.0	→
2:	9.5	↗
3:	10.0	↗
4:	10.6x	↗
5:	10.4	↖
6:	10.5x	↑
7:	10.4	↑
8:	10.6x	↑
<b>Serie</b>		<b>79.0</b>
<b>Total</b>		<b>0.0</b>



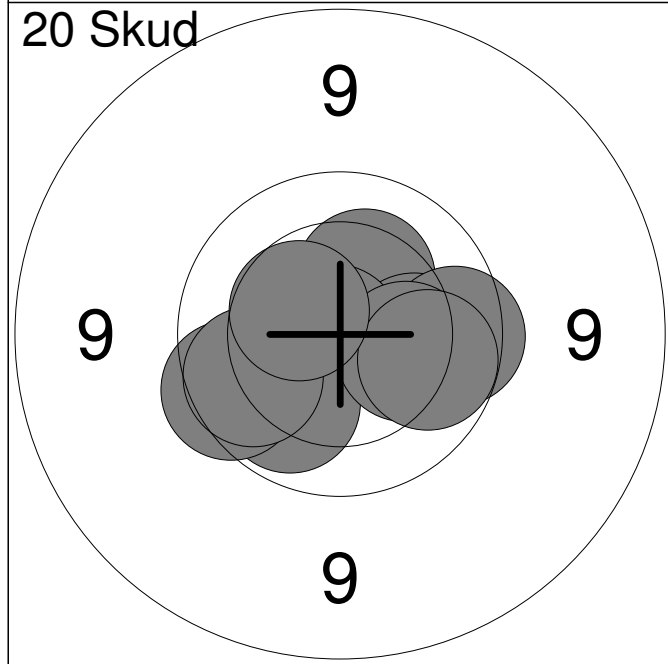
1:	10.7x	↑
2:	10.1	↗
3:	10.7x	↖
4:	10.4	↗
5:	10.6x	↙
6:	10.8x	→
7:	10.8x	←
8:	10.7x	←
9:	10.5	↑
10:	10.7x	↗
<b>Serie</b>		<b>100.0</b>
<b>Total</b>		<b>100.0</b>



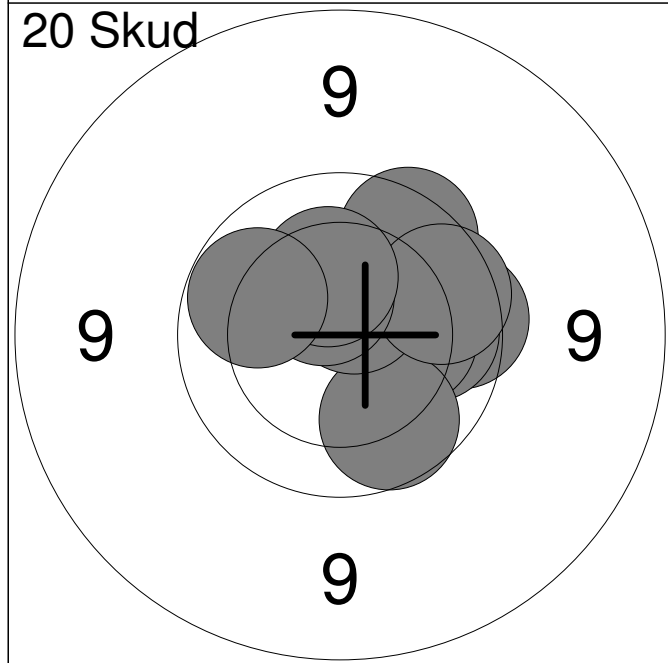
11:	9.9	→
12:	10.2	↑
13:	10.4	↓
14:	10.5x	↓
15:	10.5	↓
16:	10.8x	←
17:	9.8	↗
18:	10.5	↗
19:	10.7x	←
20:	10.5	↗
<b>Serie</b>		<b>98.0</b>
<b>Total</b>		<b>198.0</b>



1:	7.1	↑
2:	0.0	↑
3:	8.1	↑
4:	8.7	↖
5:	9.6	↑
6:	10.7x	↓
7:	10.5x	↙
8:	10.5x	↑
<b>Serie</b>		<b>62.0</b>
<b>Total</b>		<b>0.0</b>

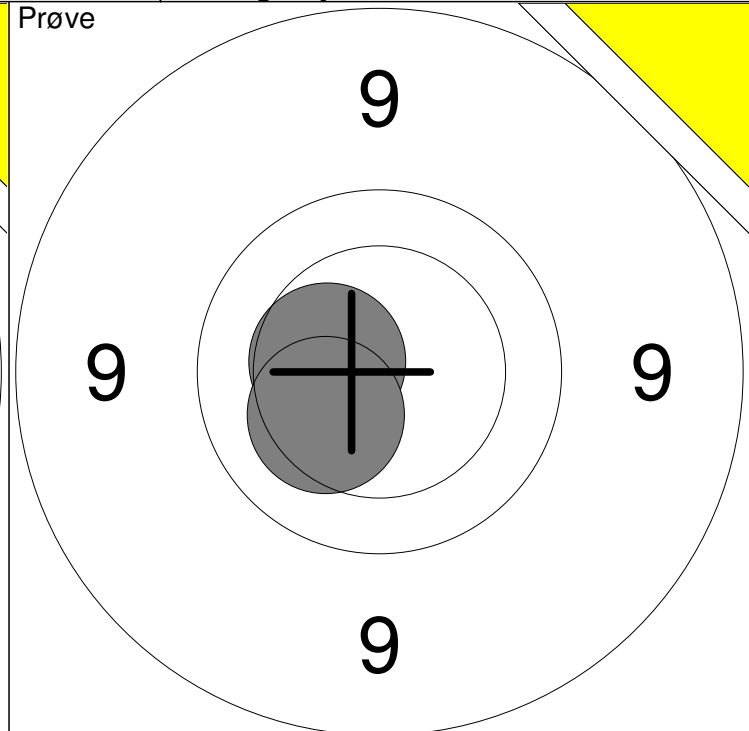
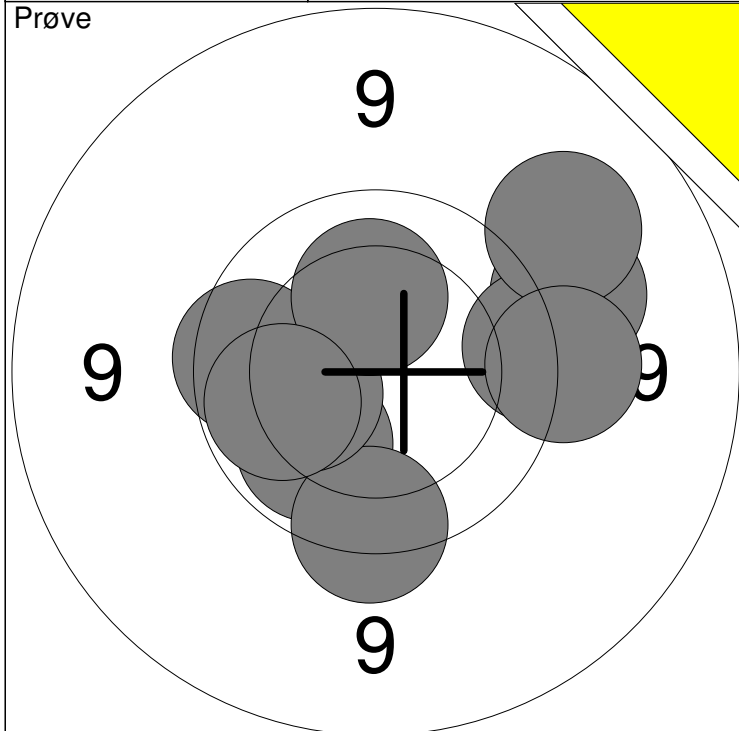


1:	10.3	↗
2:	10.1	→
3:	10.9x	←
4:	9.8	→
5:	10.0	↙
6:	10.2	→
7:	10.0	→
8:	9.8	↙
9:	9.9	↙
10:	10.4	↖
<b>Serie</b>		<b>97.0</b>
<b>Total</b>		<b>97.0</b>



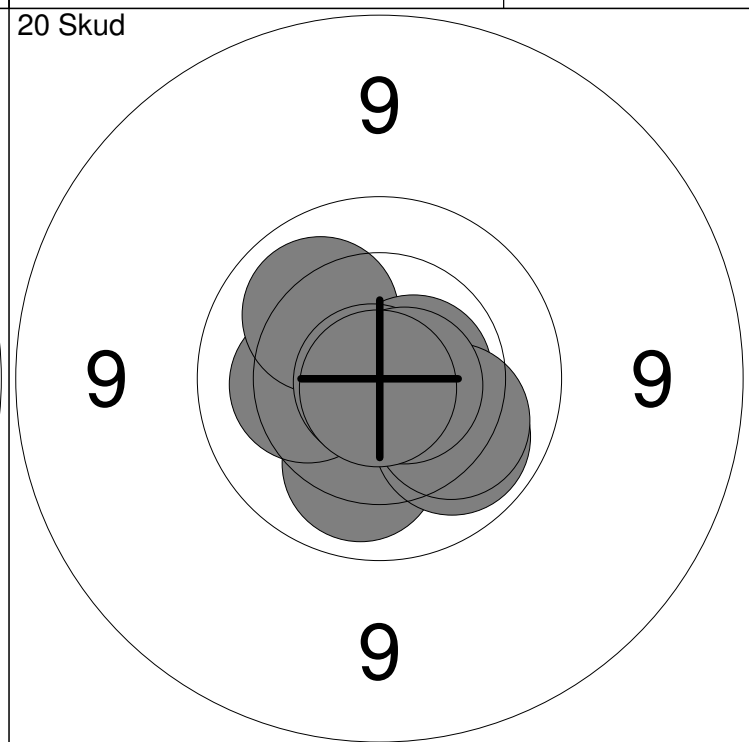
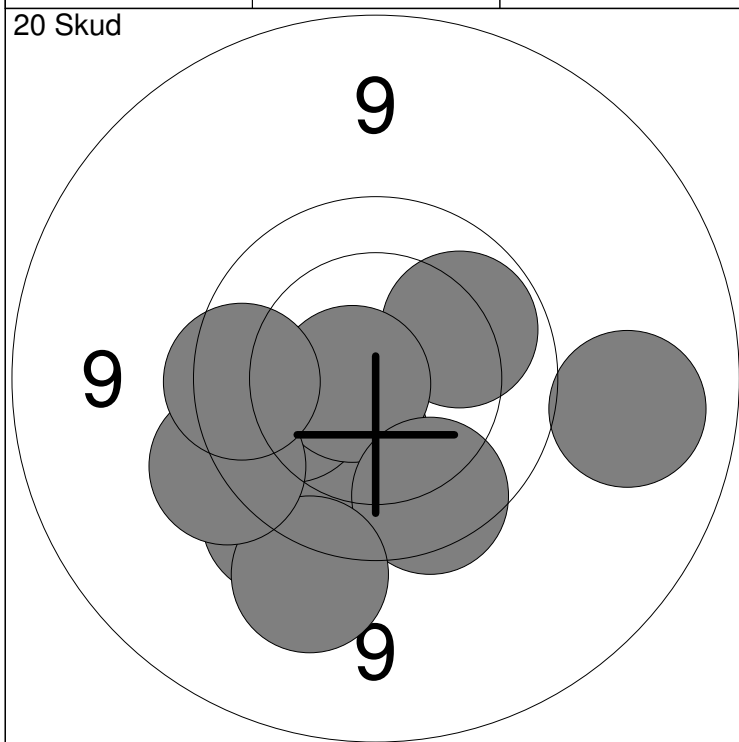
11:	9.8	→
12:	10.0	→
13:	10.2	→
14:	9.9	↘
15:	10.6x	↑
16:	9.8	↗
17:	9.8	→
18:	10.5	↑
19:	10.3	↑
20:	10.0	↖
<b>Serie</b>		<b>96.0</b>
<b>Total</b>		<b>193.0</b>





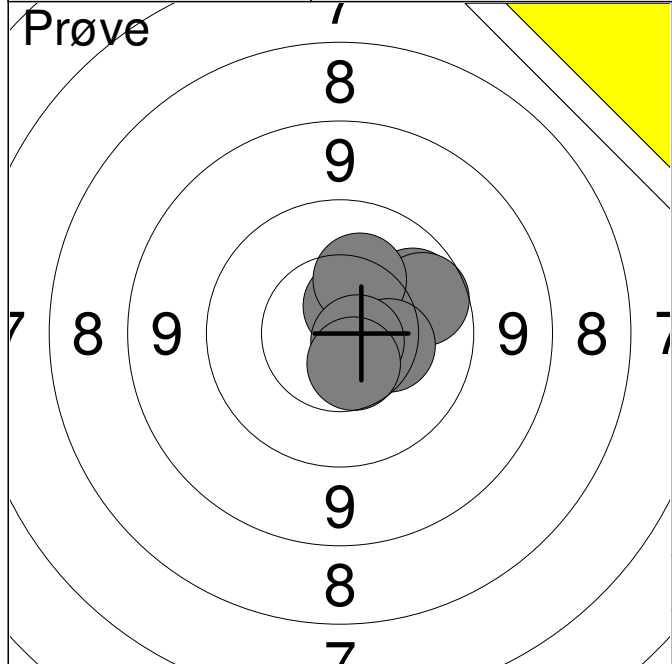
1: 9.4 →	6: 9.7 ↓	Serie	94
2: 9.6 →	7: 10.2 ←		
3: 9.2 ↗	8: 9.8 ←	Total	0
4: 9.5 →	9: 10.2 ↑		
5: 10.0 ↙	10: 10.0 ←		

11: 10.4 ←	Serie	20
12: 10.3 ↙		
Total		0

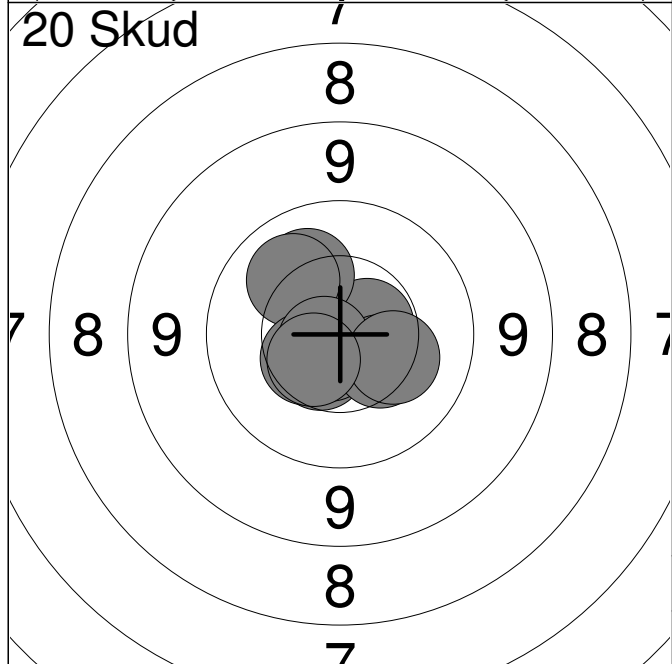


1: 9.1 →	6: 10.7x ←	Serie	94
2: 10.0 ↗	7: 9.8 ↓		
3: 9.6 ↙	8: 9.4 ↓	Total	94
4: 10.3 ↓	9: 9.6 ←		
5: 10.1 ←	10: 9.8 ←		

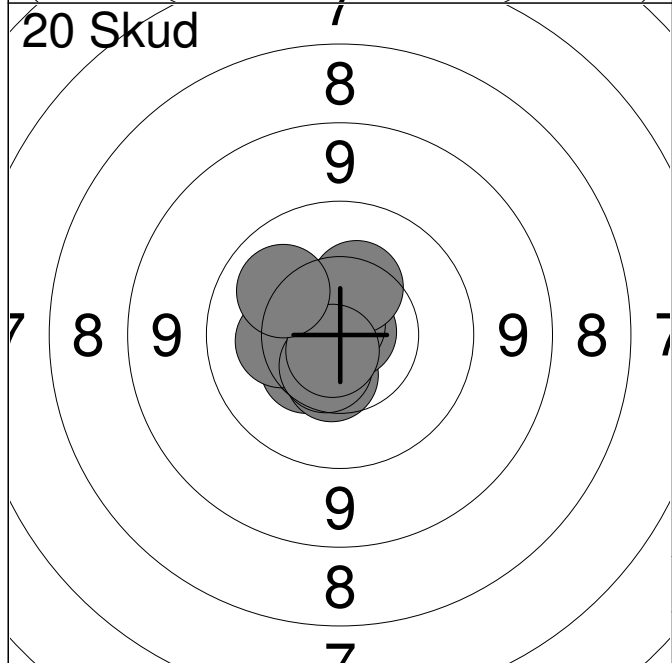
11: 10.1 ↓	16: 10.6x →	Serie	100
12: 10.6x ←	17: 10.9x ←		
13: 10.3 ←	18: 10.1 ↘	Total	194
14: 10.1 ↗	19: 10.7x →		
15: 10.1 ↘	20: 10.9x ↓		



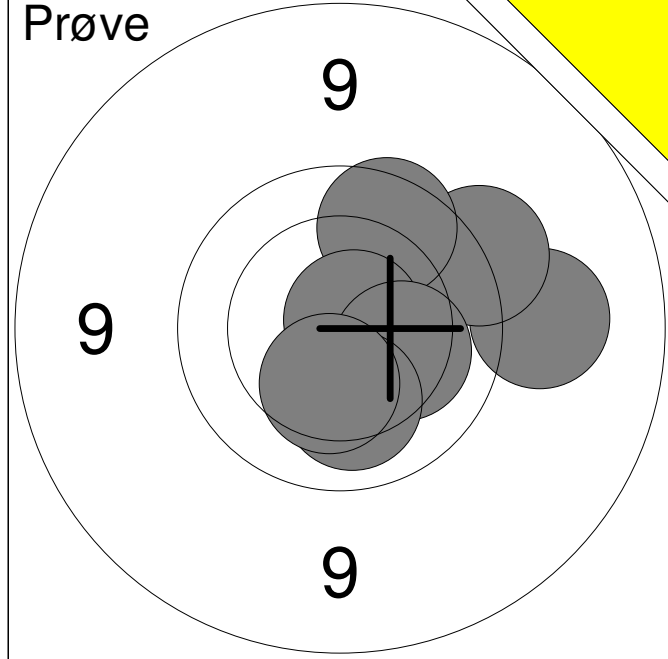
1:	10.0	→
2:	9.9	→
3:	10.6x	↑
4:	10.3	↑
5:	10.4	→
6:	10.7x	→
7:	10.6	↓
<b>Serie</b>		<b>69.0</b>
<b>Total</b>		<b>0.0</b>



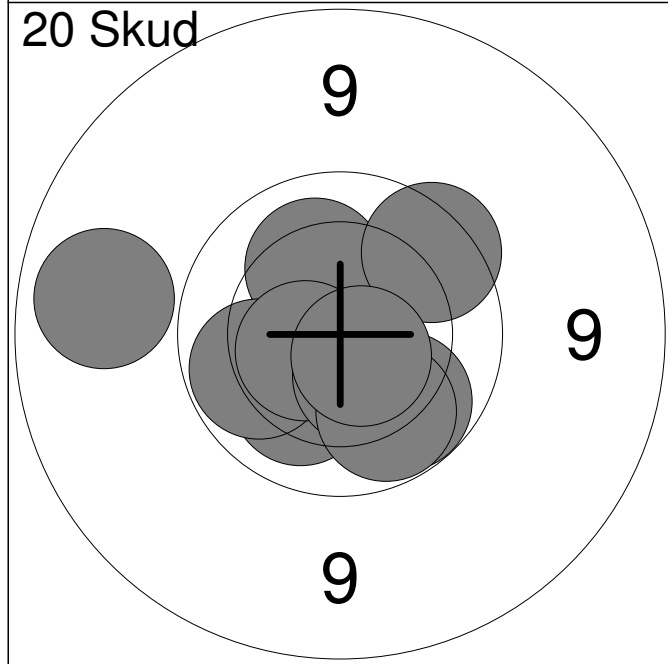
1:	10.6x	→
2:	10.5	↓
3:	10.2	↑
4:	10.7x	↓
5:	10.1	↑
6:	10.5	↓
7:	10.4	↓
8:	10.7x	←
9:	10.3	→
10:	10.5	↓
<b>Serie</b>		<b>100.0</b>
<b>Total</b>		<b>100.0</b>



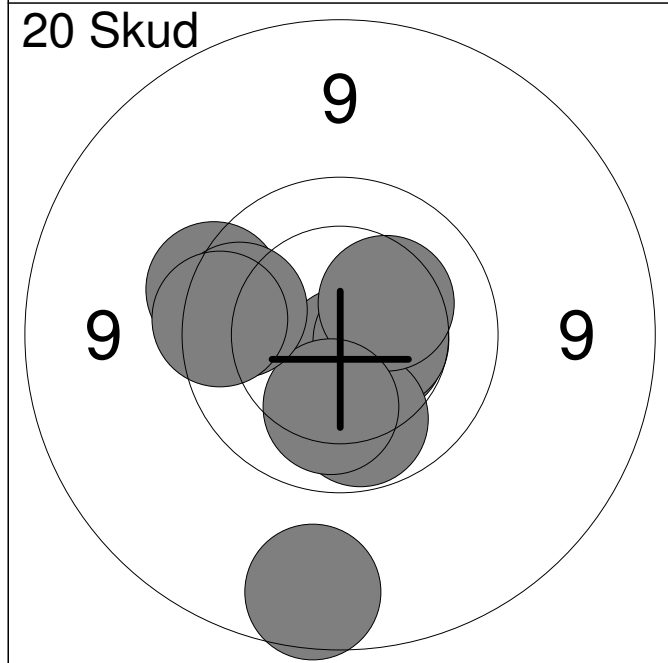
11:	10.4	↓
12:	10.5	↓
13:	10.6	←
14:	10.3	←
15:	10.8x	→
16:	10.8x	↑
17:	10.6	↓
18:	10.4	↑
19:	10.7x	↓
20:	10.1	←
<b>Serie</b>		<b>100.0</b>
<b>Total</b>		<b>200.0</b>



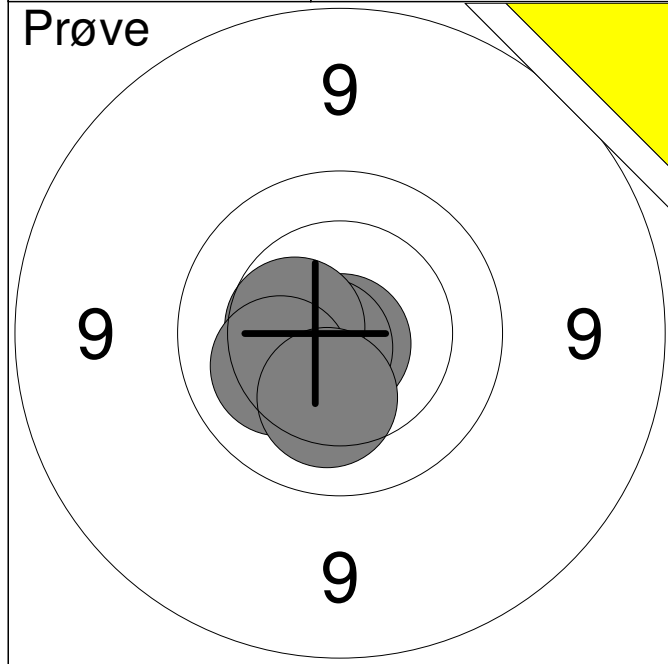
1:	9.3	→
2:	9.6	↗
3:	9.8	↑
4:	10.8x	↗
5:	10.2	→
6:	10.2	↓
7:	10.3	↓
<b>Serie</b>		<b>67.0</b>
<b>Total</b>		<b>0.0</b>



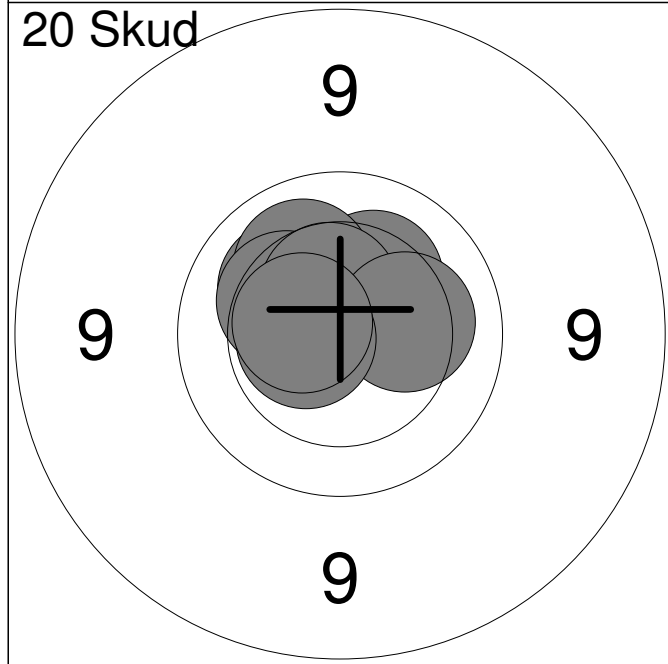
1:	10.2	↑
2:	10.2	↓
3:	10.0	←
4:	10.5x	←
5:	10.0	↓
6:	9.1	←
7:	10.4	↓
8:	10.0	↓
9:	9.8	↗
10:	10.6x	↓
<b>Serie</b>		<b>98.0</b>
<b>Total</b>		<b>98.0</b>



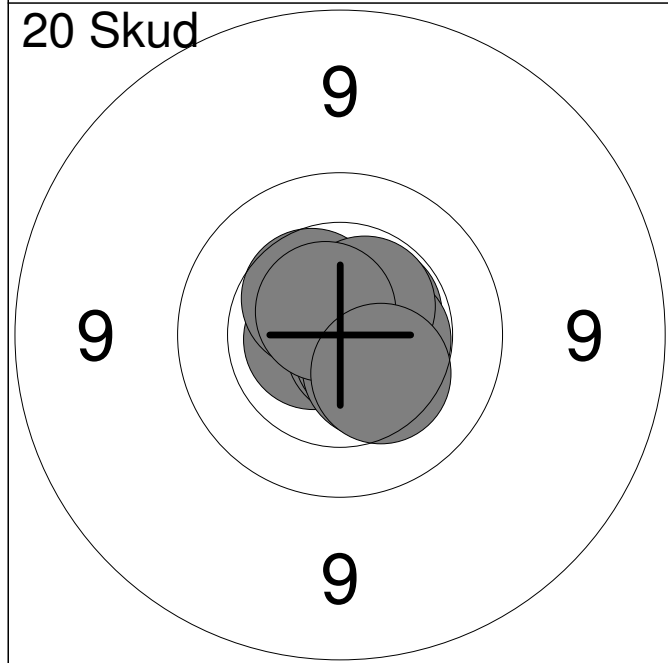
11:	10.5x	→
12:	10.7x	↓
13:	8.9	↓
14:	10.5	→
15:	10.0	↓
16:	10.3	↗
17:	9.7	←
18:	10.1	↓
19:	9.9	←
20:	9.8	←
<b>Serie</b>		<b>95.0</b>
<b>Total</b>		<b>193.0</b>



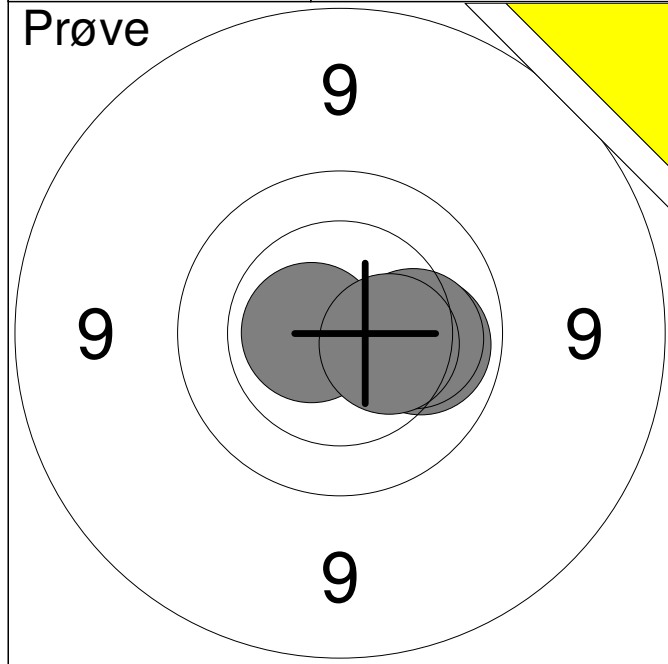
1:	10.8x	↓
2:	10.7x	↙
3:	10.5	←
4:	10.2	↙
5:	10.2	↓
<b>Serie</b>		<b>50.0</b>
<b>Total</b>		<b>0.0</b>



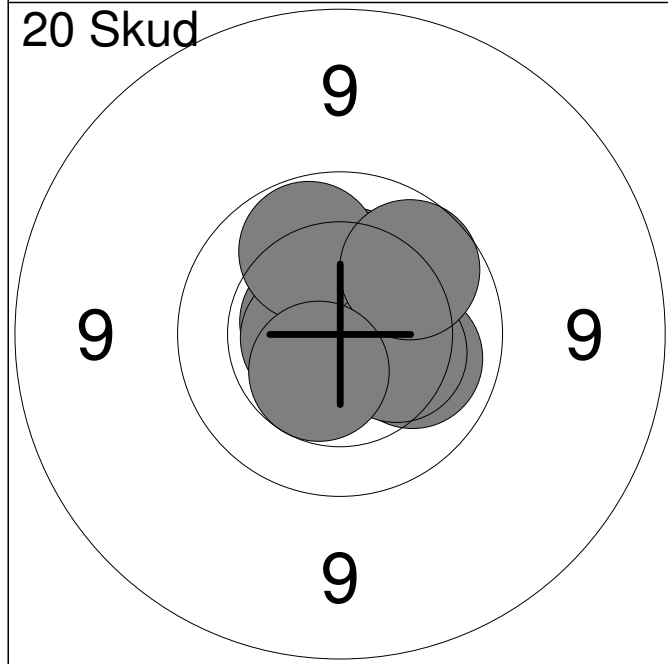
1:	10.3	↗
2:	10.6x	↗
3:	10.2	↗
4:	10.5	↗
5:	10.1	↗
6:	10.3	↗
7:	10.5	↗
8:	10.2	→
9:	10.6x	←
10:	10.5x	←
<b>Serie</b>		<b>100.0</b>
<b>Total</b>		<b>100.0</b>



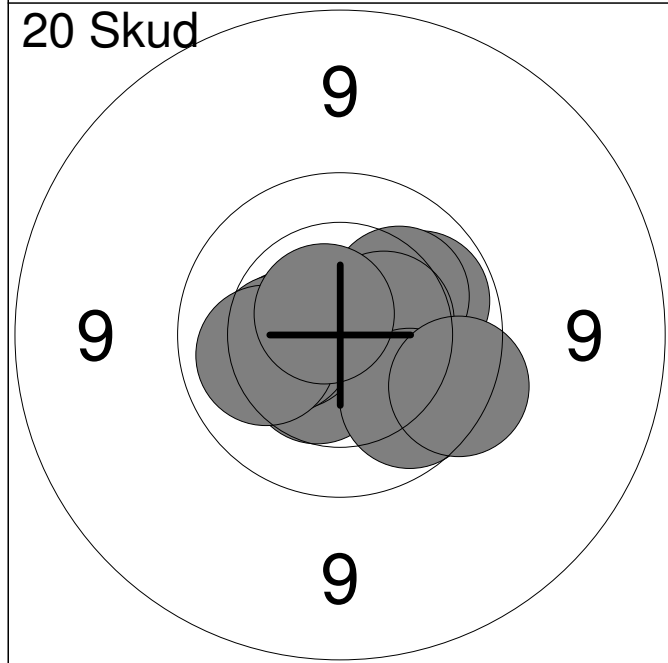
11:	10.5x	↗
12:	10.7x	←
13:	10.5x	→
14:	10.7x	↘
15:	10.5	↗
16:	10.6x	↘
17:	10.4	↘
18:	10.5x	↗
19:	10.7x	↗
20:	10.3	↘
<b>Serie</b>		<b>100.0</b>
<b>Total</b>		<b>200.0</b>



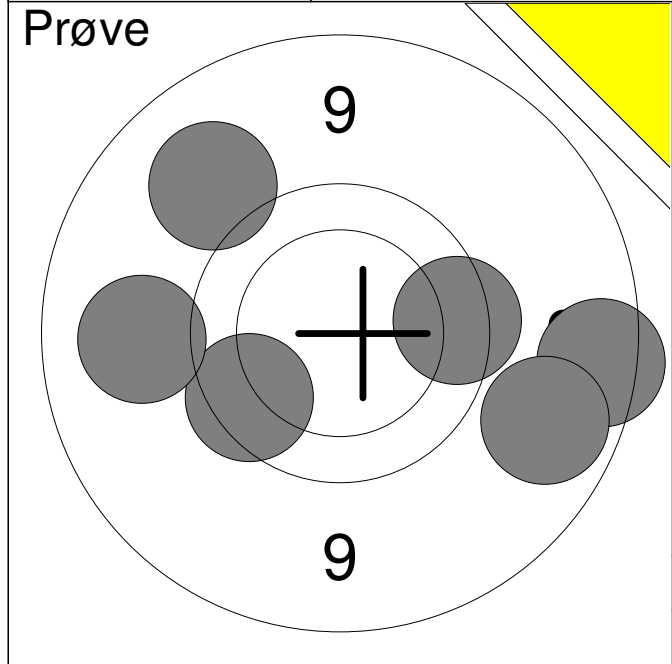
1:	10.1	→
2:	10.2	→
3:	10.6x	←
4:	10.4	→
<b>Serie</b>		<b>40.0</b>
<b>Total</b>		<b>0.0</b>



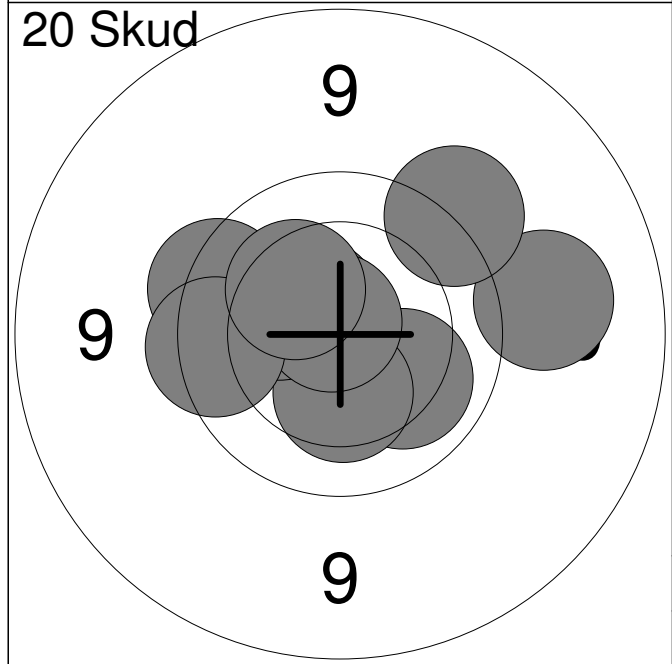
1:	10.1	→
2:	10.6x	←
3:	10.3	↑
4:	10.6x	←
5:	10.7x	↗
6:	10.3	↑
7:	10.0	↑
8:	10.3	→
9:	9.9	↗
10:	10.5x	↙
<b>Serie</b>		<b>99.0</b>
<b>Total</b>		<b>99.0</b>



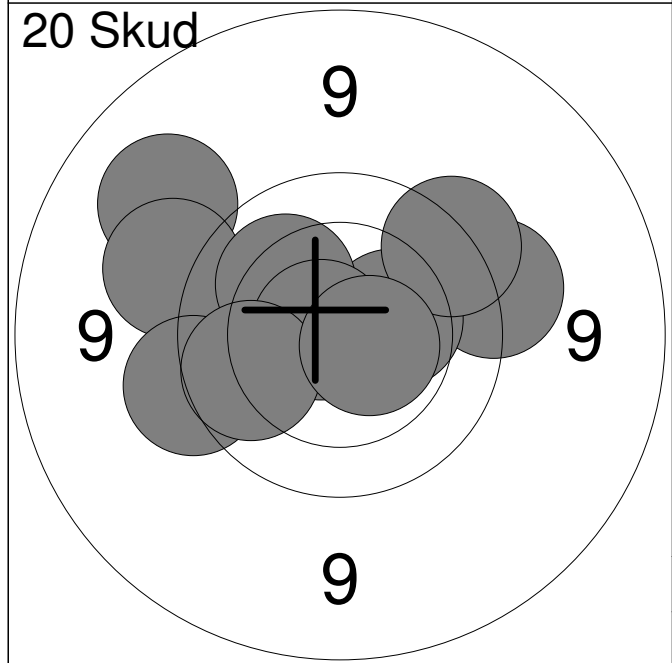
11:	10.5	↙
12:	10.4	←
13:	10.3	←
14:	10.1	←
15:	10.0	→
16:	10.2	↗
17:	10.5	→
18:	9.9	↙
19:	9.7	↘
20:	10.7x	↗
<b>Serie</b>		<b>98.0</b>
<b>Total</b>		<b>197.0</b>



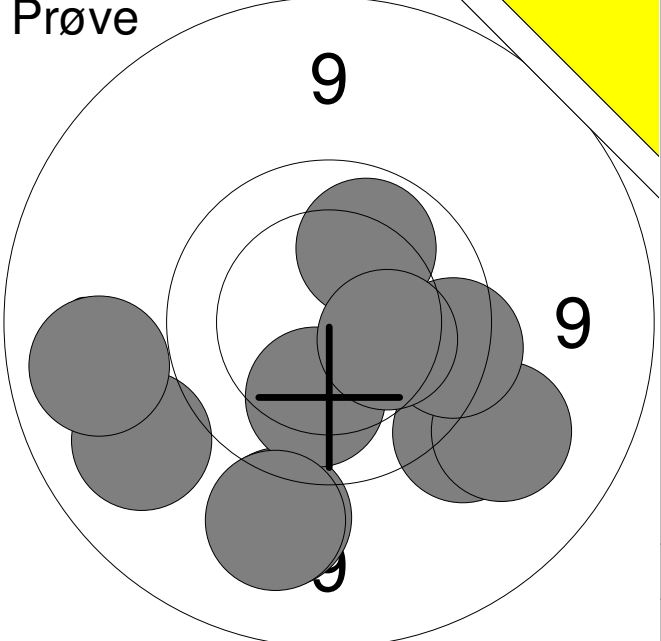
	1:	9.2	↗
	2:	8.8	→
	3:	9.0	↘
	4:	9.8	↖
	5:	9.7	→
	6:	9.2	←
<b>Serie</b>			<b>53.0</b>
<b>Total</b>			<b>0.0</b>

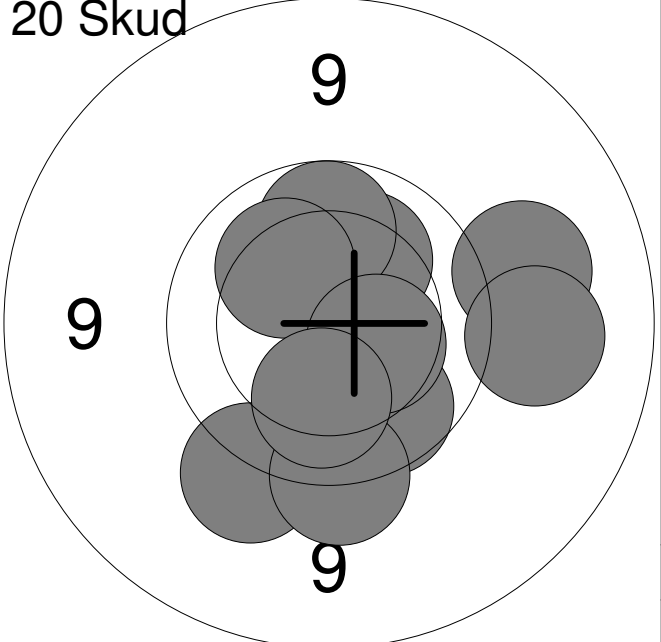


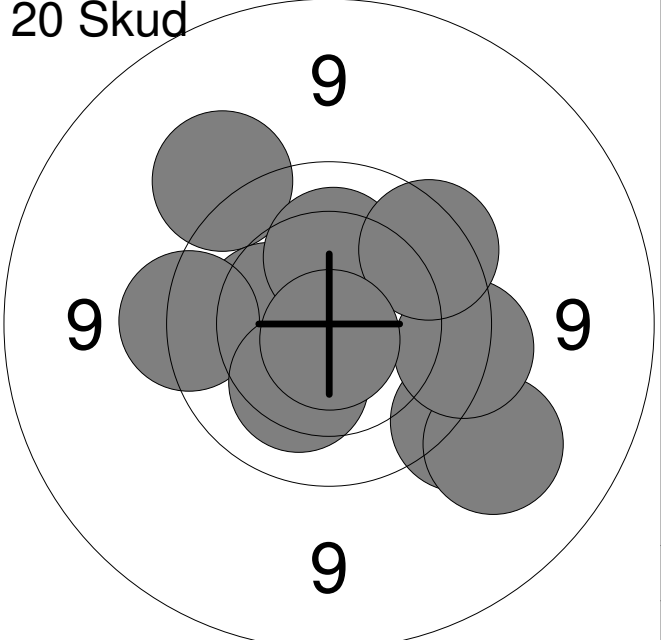
	1:	10.1	↘
	2:	10.5x	↗
	3:	10.3	↘
	4:	9.3	→
	5:	10.2	↗
	6:	9.7	↗
	7:	10.8x	↗
	8:	9.7	←
	9:	10.3	↗
	10:	9.5	↗
<b>Serie</b>			<b>96.0</b>
<b>Total</b>			<b>96.0</b>

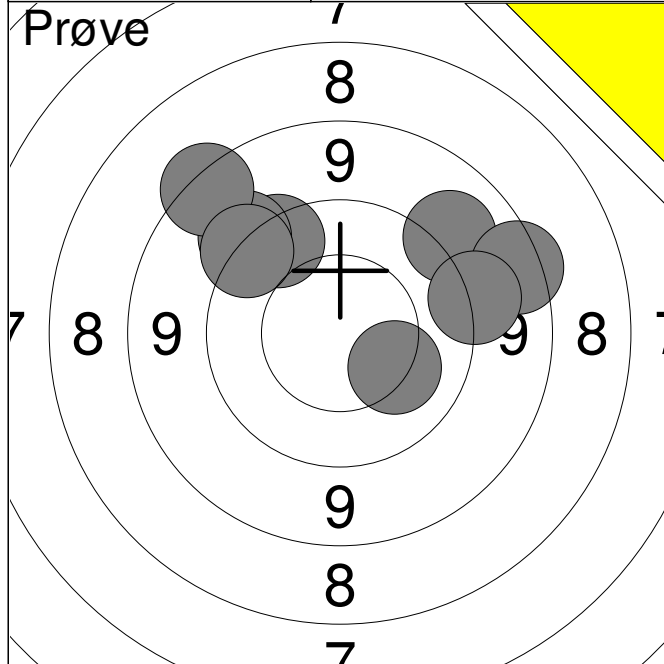


	11:	9.2	↗
	12:	9.5	→
	13:	10.4	→
	14:	9.4	↗
	15:	10.1	↗
	16:	9.6	←
	17:	10.7x	←
	18:	9.6	↗
	19:	9.9	←
	20:	10.6x	↘
<b>Serie</b>			<b>94.0</b>
<b>Total</b>			<b>190.0</b>

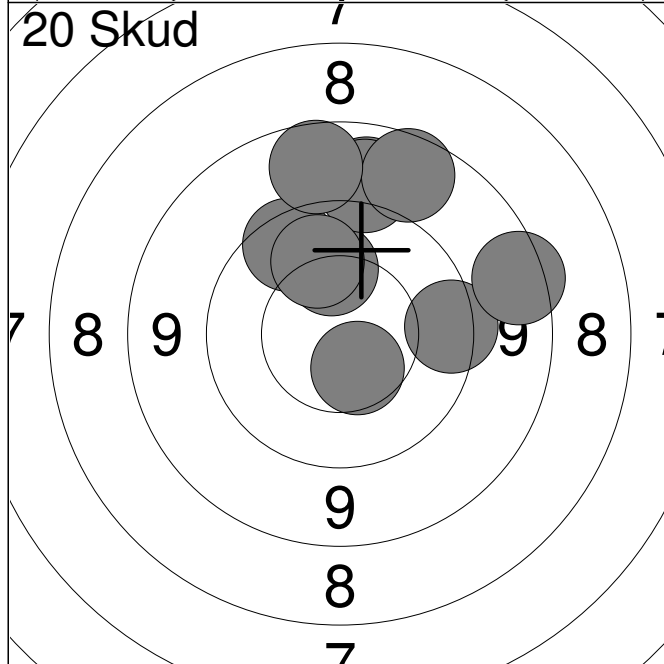
<p><b>Prøve</b></p> 	<table style="width:100%; border-collapse: collapse;"> <tr><td style="text-align: right;">1:</td><td style="text-align: right;">9.5</td><td style="text-align: right;">↘</td></tr> <tr><td style="text-align: right;">2:</td><td style="text-align: right;">9.3</td><td style="text-align: right;">↘</td></tr> <tr><td style="text-align: right;">3:</td><td style="text-align: right;">9.3</td><td style="text-align: right;">↘</td></tr> <tr><td style="text-align: right;">4:</td><td style="text-align: right;">10.1</td><td style="text-align: right;">↘</td></tr> <tr><td style="text-align: right;">5:</td><td style="text-align: right;">9.3</td><td style="text-align: right;">↘</td></tr> <tr><td style="text-align: right;">6:</td><td style="text-align: right;">10.1</td><td style="text-align: right;">↗</td></tr> <tr><td style="text-align: right;">7:</td><td style="text-align: right;">9.7</td><td style="text-align: right;">→</td></tr> <tr><td style="text-align: right;">8:</td><td style="text-align: right;">9.2</td><td style="text-align: right;">↙</td></tr> <tr><td style="text-align: right;">9:</td><td style="text-align: right;">9.1</td><td style="text-align: right;">←</td></tr> <tr><td style="text-align: right;">10:</td><td style="text-align: right;">10.3</td><td style="text-align: right;">→</td></tr> <tr><td colspan="2"><b>Serie</b></td><td style="text-align: right;"><b>93.0</b></td></tr> <tr><td colspan="2"><b>Total</b></td><td style="text-align: right;"><b>0.0</b></td></tr> </table>	1:	9.5	↘	2:	9.3	↘	3:	9.3	↘	4:	10.1	↘	5:	9.3	↘	6:	10.1	↗	7:	9.7	→	8:	9.2	↙	9:	9.1	←	10:	10.3	→	<b>Serie</b>		<b>93.0</b>	<b>Total</b>		<b>0.0</b>
1:	9.5	↘																																			
2:	9.3	↘																																			
3:	9.3	↘																																			
4:	10.1	↘																																			
5:	9.3	↘																																			
6:	10.1	↗																																			
7:	9.7	→																																			
8:	9.2	↙																																			
9:	9.1	←																																			
10:	10.3	→																																			
<b>Serie</b>		<b>93.0</b>																																			
<b>Total</b>		<b>0.0</b>																																			

<p><b>20 Skud</b></p> 	<table style="width:100%; border-collapse: collapse;"> <tr><td style="text-align: right;">1:</td><td style="text-align: right;">9.5</td><td style="text-align: right;">↘</td></tr> <tr><td style="text-align: right;">2:</td><td style="text-align: right;">10.2</td><td style="text-align: right;">↗</td></tr> <tr><td style="text-align: right;">3:</td><td style="text-align: right;">10.0</td><td style="text-align: right;">↑</td></tr> <tr><td style="text-align: right;">4:</td><td style="text-align: right;">9.9</td><td style="text-align: right;">↘</td></tr> <tr><td style="text-align: right;">5:</td><td style="text-align: right;">9.3</td><td style="text-align: right;">→</td></tr> <tr><td style="text-align: right;">6:</td><td style="text-align: right;">9.6</td><td style="text-align: right;">↘</td></tr> <tr><td style="text-align: right;">7:</td><td style="text-align: right;">10.2</td><td style="text-align: right;">↗</td></tr> <tr><td style="text-align: right;">8:</td><td style="text-align: right;">10.4</td><td style="text-align: right;">↘</td></tr> <tr><td style="text-align: right;">9:</td><td style="text-align: right;">9.3</td><td style="text-align: right;">→</td></tr> <tr><td style="text-align: right;">10:</td><td style="text-align: right;">10.1</td><td style="text-align: right;">↘</td></tr> <tr><td colspan="2"><b>Serie</b></td><td style="text-align: right;"><b>95.0</b></td></tr> <tr><td colspan="2"><b>Total</b></td><td style="text-align: right;"><b>95.0</b></td></tr> </table>	1:	9.5	↘	2:	10.2	↗	3:	10.0	↑	4:	9.9	↘	5:	9.3	→	6:	9.6	↘	7:	10.2	↗	8:	10.4	↘	9:	9.3	→	10:	10.1	↘	<b>Serie</b>		<b>95.0</b>	<b>Total</b>		<b>95.0</b>
1:	9.5	↘																																			
2:	10.2	↗																																			
3:	10.0	↑																																			
4:	9.9	↘																																			
5:	9.3	→																																			
6:	9.6	↘																																			
7:	10.2	↗																																			
8:	10.4	↘																																			
9:	9.3	→																																			
10:	10.1	↘																																			
<b>Serie</b>		<b>95.0</b>																																			
<b>Total</b>		<b>95.0</b>																																			

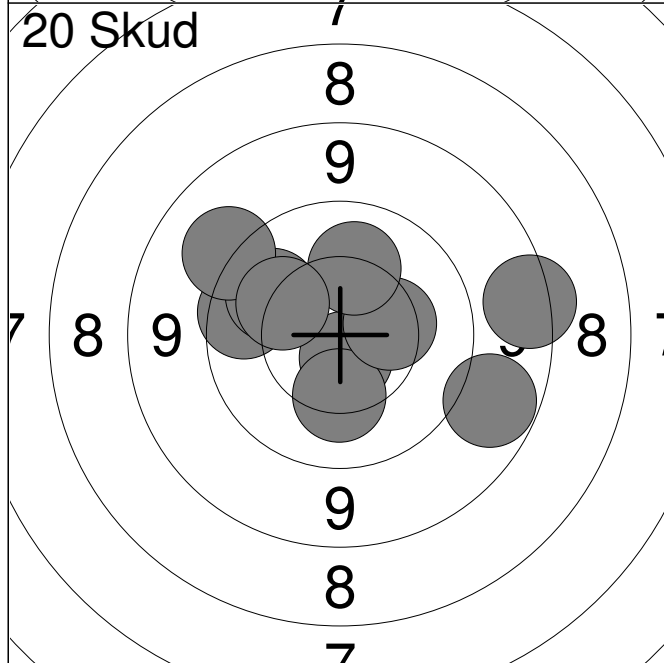
<p><b>20 Skud</b></p> 	<table style="width:100%; border-collapse: collapse;"> <tr><td style="text-align: right;">11:</td><td style="text-align: right;">9.4</td><td style="text-align: right;">↗</td></tr> <tr><td style="text-align: right;">12:</td><td style="text-align: right;">9.5</td><td style="text-align: right;">↘</td></tr> <tr><td style="text-align: right;">13:</td><td style="text-align: right;">9.3</td><td style="text-align: right;">↘</td></tr> <tr><td style="text-align: right;">14:</td><td style="text-align: right;">10.3</td><td style="text-align: right;">←</td></tr> <tr><td style="text-align: right;">15:</td><td style="text-align: right;">9.7</td><td style="text-align: right;">←</td></tr> <tr><td style="text-align: right;">16:</td><td style="text-align: right;">10.2</td><td style="text-align: right;">↘</td></tr> <tr><td style="text-align: right;">17:</td><td style="text-align: right;">9.7</td><td style="text-align: right;">→</td></tr> <tr><td style="text-align: right;">18:</td><td style="text-align: right;">10.2</td><td style="text-align: right;">↑</td></tr> <tr><td style="text-align: right;">19:</td><td style="text-align: right;">9.8</td><td style="text-align: right;">↗</td></tr> <tr><td style="text-align: right;">20:</td><td style="text-align: right;">10.8x</td><td style="text-align: right;">↘</td></tr> <tr><td colspan="2"><b>Serie</b></td><td style="text-align: right;"><b>94.0</b></td></tr> <tr><td colspan="2"><b>Total</b></td><td style="text-align: right;"><b>189.0</b></td></tr> </table>	11:	9.4	↗	12:	9.5	↘	13:	9.3	↘	14:	10.3	←	15:	9.7	←	16:	10.2	↘	17:	9.7	→	18:	10.2	↑	19:	9.8	↗	20:	10.8x	↘	<b>Serie</b>		<b>94.0</b>	<b>Total</b>		<b>189.0</b>
11:	9.4	↗																																			
12:	9.5	↘																																			
13:	9.3	↘																																			
14:	10.3	←																																			
15:	9.7	←																																			
16:	10.2	↘																																			
17:	9.7	→																																			
18:	10.2	↑																																			
19:	9.8	↗																																			
20:	10.8x	↘																																			
<b>Serie</b>		<b>94.0</b>																																			
<b>Total</b>		<b>189.0</b>																																			



1:	9.6	↗
2:	9.3	↗
3:	10.2	↘
4:	9.2	↗
5:	8.6	→
6:	8.6	↗
7:	9.3	→
8:	9.5	↗
<b>Serie</b>		<b>71.0</b>
<b>Total</b>		<b>0.0</b>

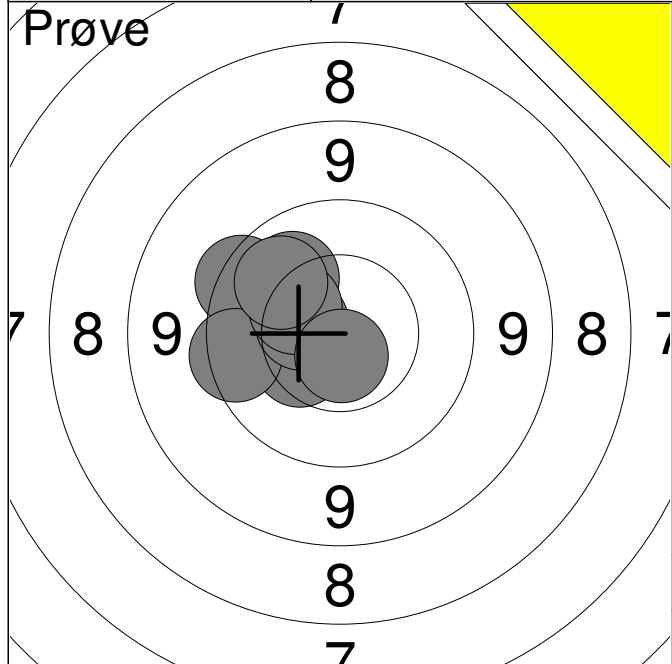


1:	9.6	→
2:	10.2	↑
3:	8.7	→
4:	10.5	↘
5:	9.1	↑
6:	9.7	↗
7:	9.1	↑
8:	8.9	↗
9:	8.9	↑
10:	10.1	↗
<b>Serie</b>		<b>90.0</b>
<b>Total</b>		<b>90.0</b>

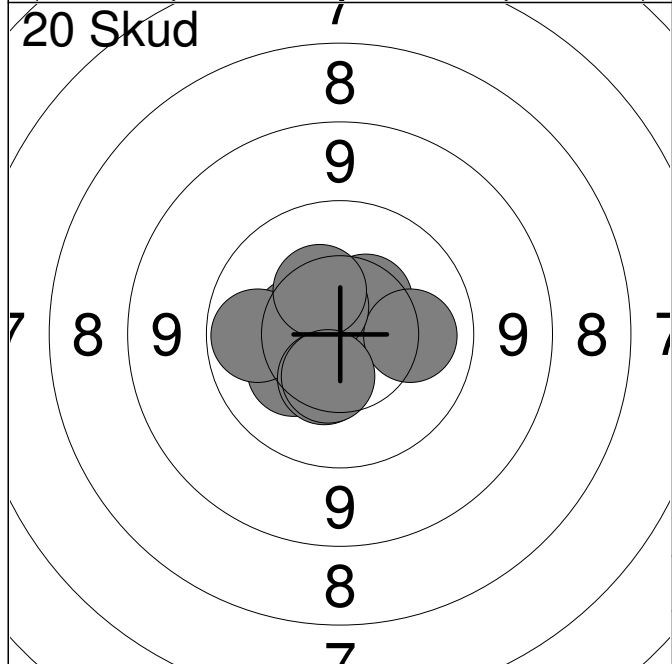


11:	8.6	→
12:	9.8	←
13:	10.7x	↘
14:	10.2	↘
15:	10.0	↗
16:	10.4	→
17:	10.2	↑
18:	9.3	↗
19:	10.2	↗
20:	9.0	↘
<b>Serie</b>		<b>95.0</b>
<b>Total</b>		<b>185.0</b>

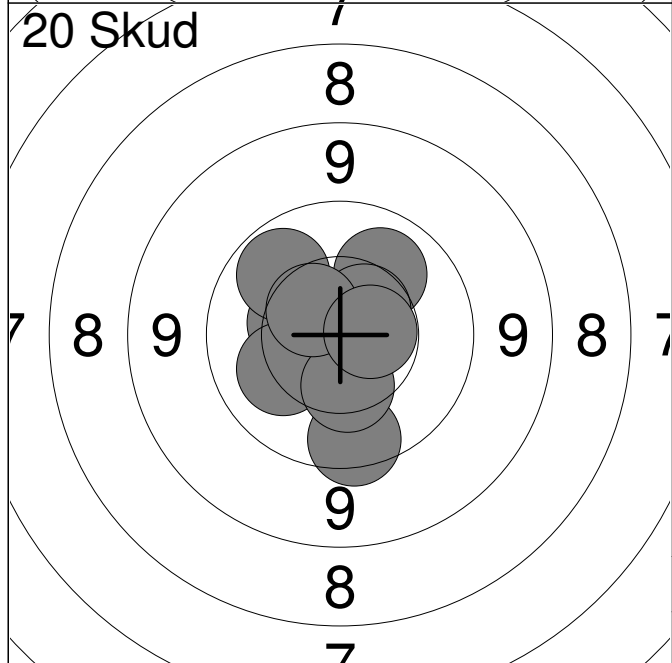




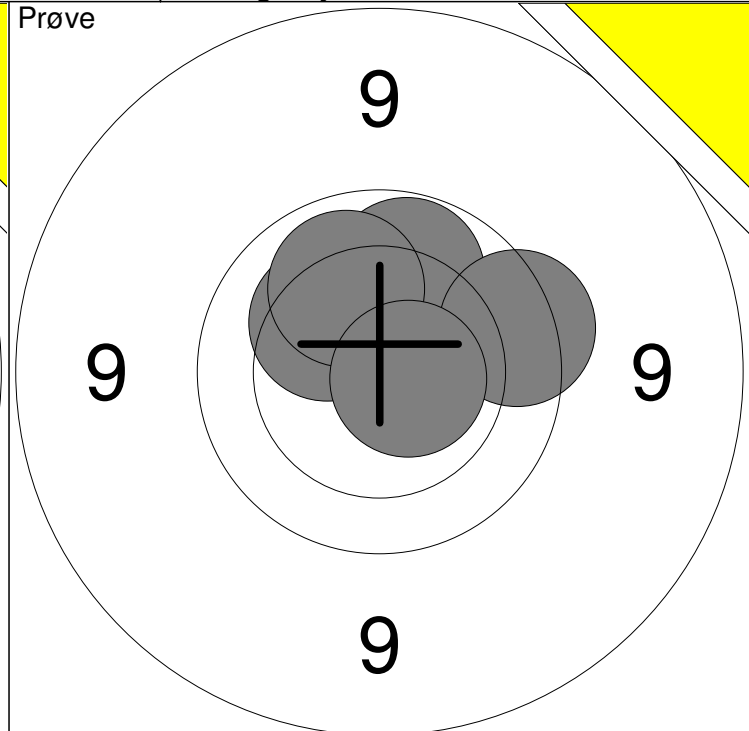
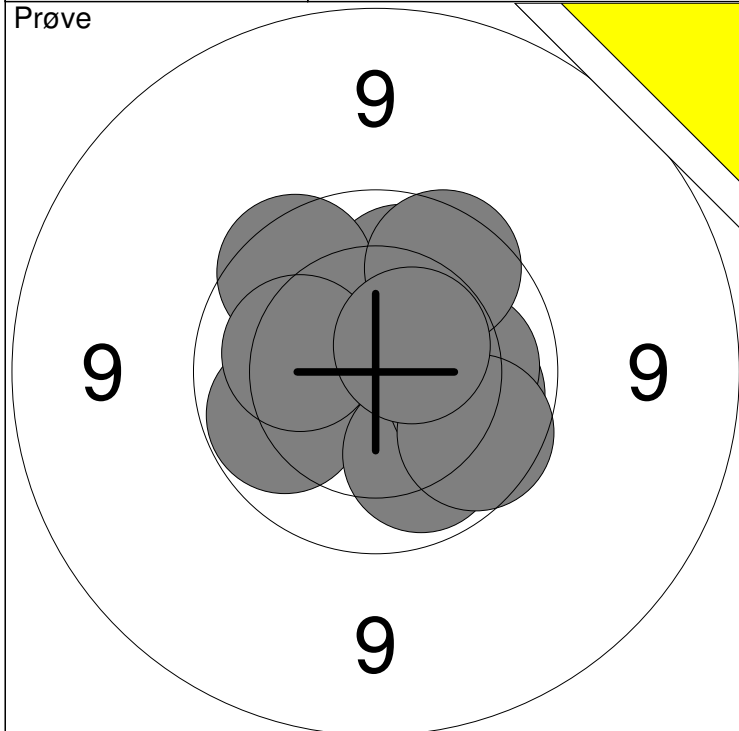
1:	10.4	↙
2:	9.6	↗
3:	9.7	↙
4:	10.1	↗
5:	10.5	↖
6:	10.4	↗
7:	10.0	↗
8:	10.7x	↓
<b>Serie</b>		<b>78.0</b>
<b>Total</b>		<b>0.0</b>



1:	10.5	↗
2:	10.5	↙
3:	10.3	↙
4:	10.5	↙
5:	10.1	→
6:	10.6	↗
7:	10.0	↙
8:	10.4	↗
9:	10.4	↓
10:	10.4	↓
<b>Serie</b>		<b>100.0</b>
<b>Total</b>		<b>100.0</b>

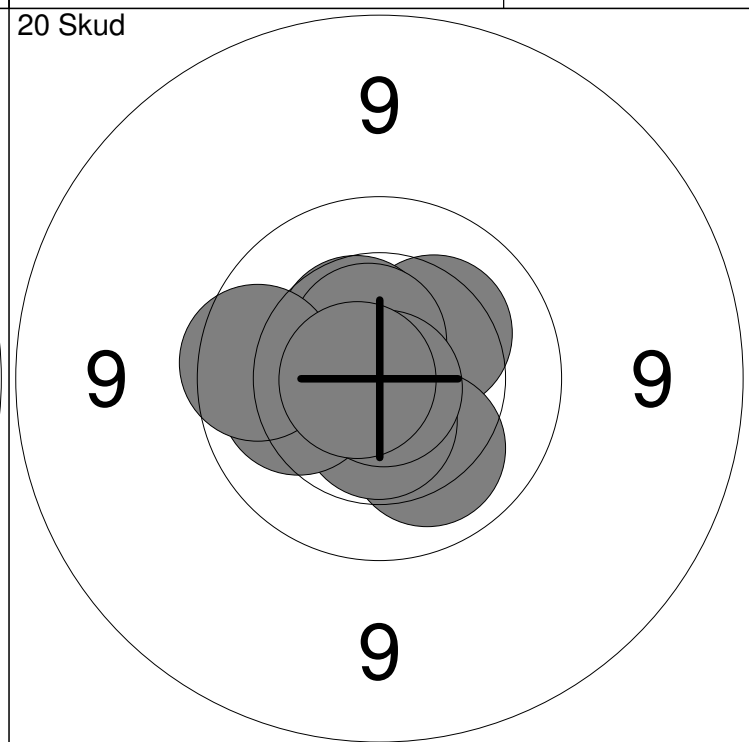
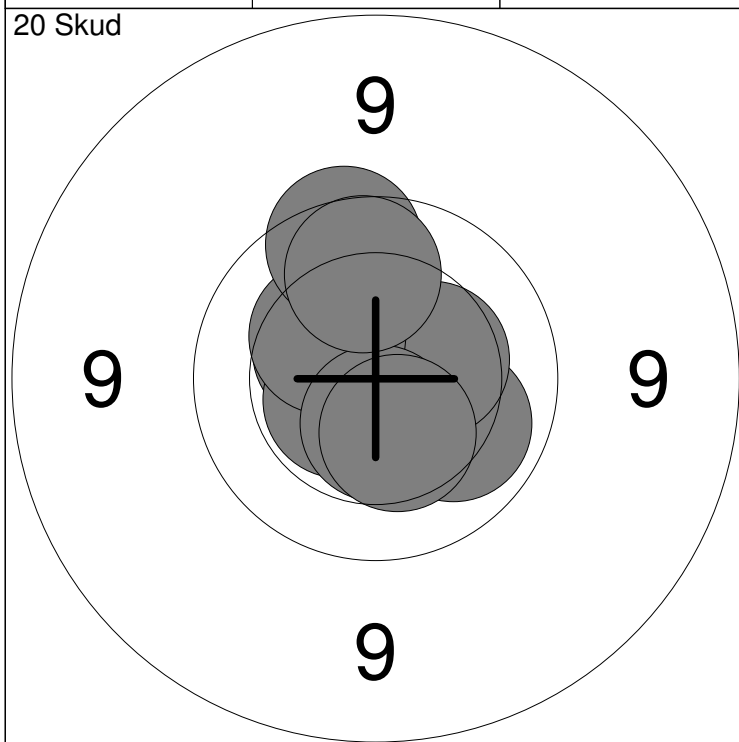


11:	9.7	↓
12:	10.8x	→
13:	10.4	↙
14:	10.2	↙
15:	10.0	↗
16:	10.1	↗
17:	10.6	↗
18:	10.4	↓
19:	10.5	↗
20:	10.6x	→
<b>Serie</b>		<b>99.0</b>
<b>Total</b>		<b>199.0</b>



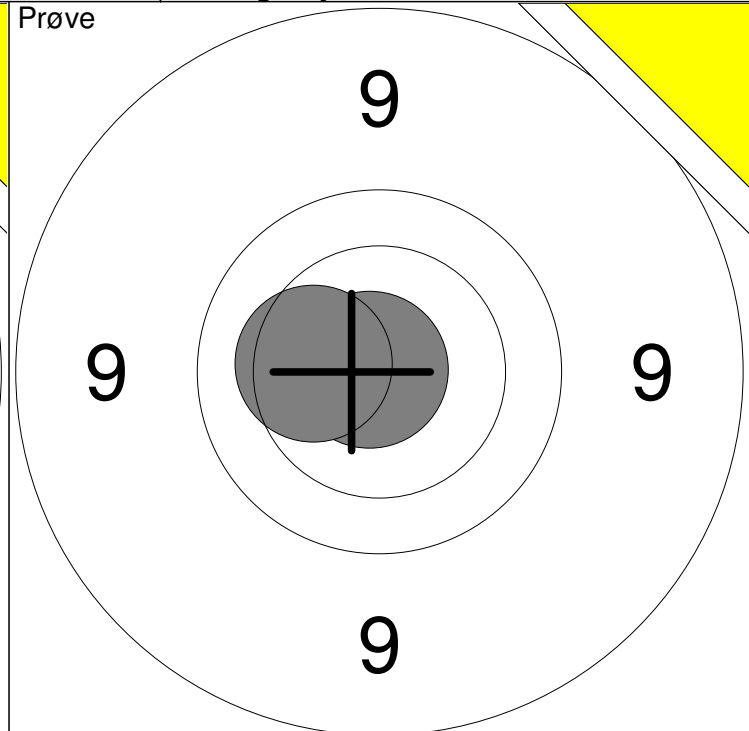
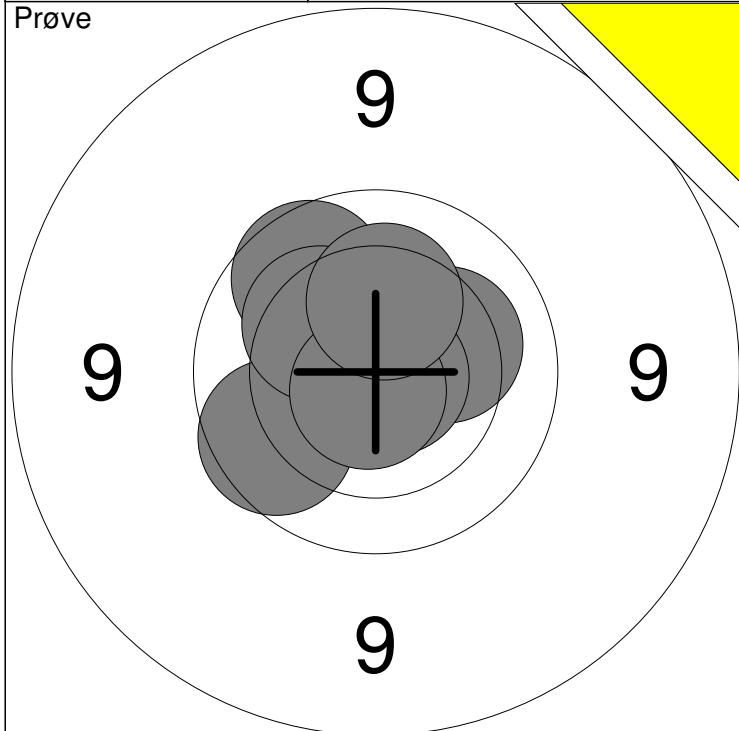
1: 10.0 ↙	6: 10.1 →	Serie	97
2: 10.0 ↘	7: 9.8 ↗		
3: 10.1 →	8: 9.9 ↘	Total	0
4: 10.0 ↗	9: 10.2 ↖		
5: 9.8 ↖	10: 10.5x ↗		

11: 10.3 ↖	Serie	49
12: 10.0 ↗		
13: 9.7 →	Total	0
14: 10.1 ↖		
15: 10.7x →		



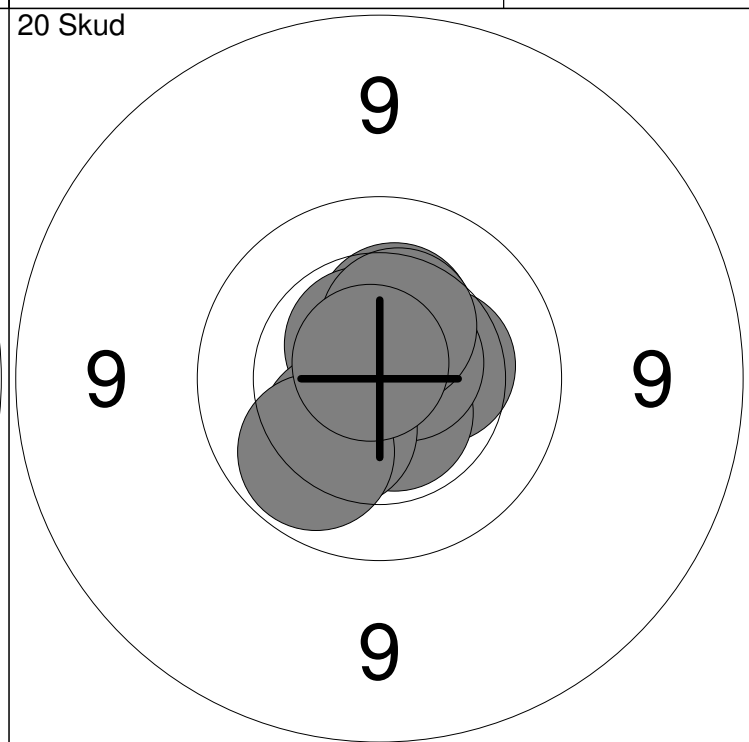
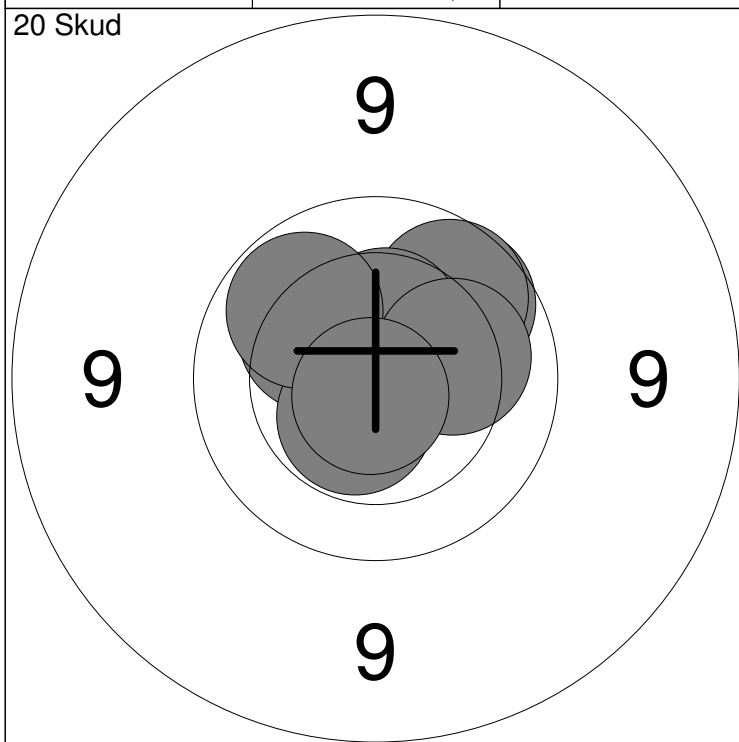
1: 10.1 ↘	6: 10.3 ↗	Serie	98
2: 10.8x ↖	7: 9.8 ↗		
3: 10.4 ↗	8: 10.5x ↘	Total	98
4: 10.4 →	9: 9.9 ↗		
5: 10.6x ↖	10: 10.4 ↘		

11: 10.6x ↘	16: 10.5x ↘	Serie	99
12: 10.3 ↗	17: 10.1 ↖		
13: 10.5 ↗	18: 10.8x ↘	Total	197
14: 10.6x ↗	19: 9.8 ↖		
15: 10.1 ↘	20: 10.7x ↖		



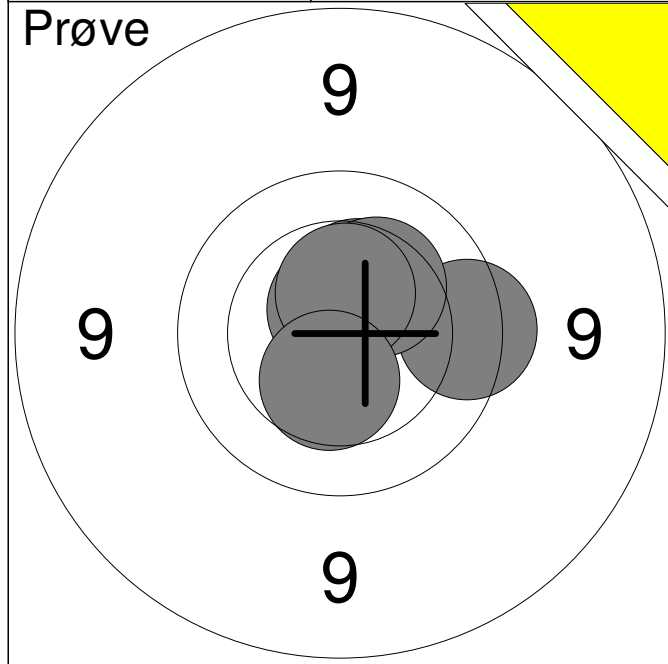
1: 10.5x ↗	6: 10.8x →	<b>Serie</b> 98	
2: 10.5 ↖	7: 9.9 ↗		
3: 10.6x ↗	8: 10.2 ↗	<b>Total</b> 0	
4: 9.9 ↖	9: 10.8x ↘		
5: 10.2 →	10: 10.3 ↗		

11: 10.9x ←	<b>Serie</b> 20		
12: 10.3 ←			
	<b>Total</b> 0		

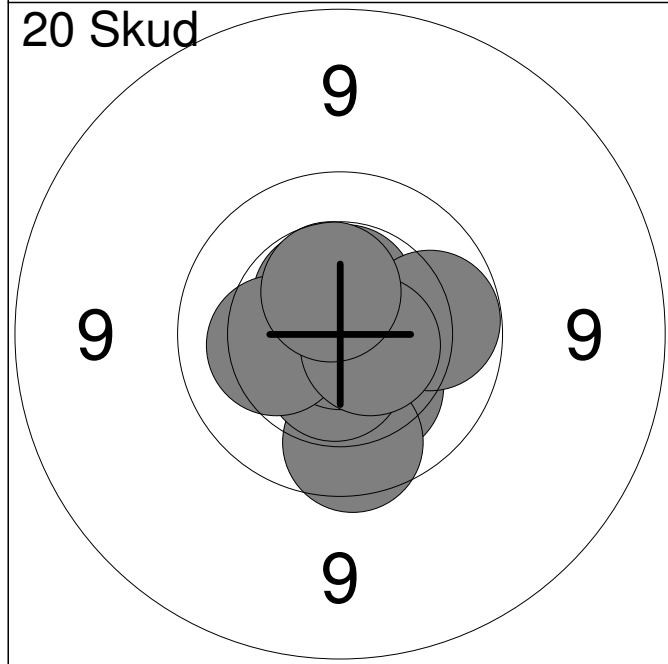


1: 9.9 ↗	6: 10.5x ↘	<b>Serie</b> 98	
2: 10.6x ↗	7: 10.4 ↗		
3: 10.4 ↖	8: 10.0 ↖	<b>Total</b> 98	
4: 9.9 ↗	9: 10.2 →		
5: 10.2 ↖	10: 10.8x ↘		

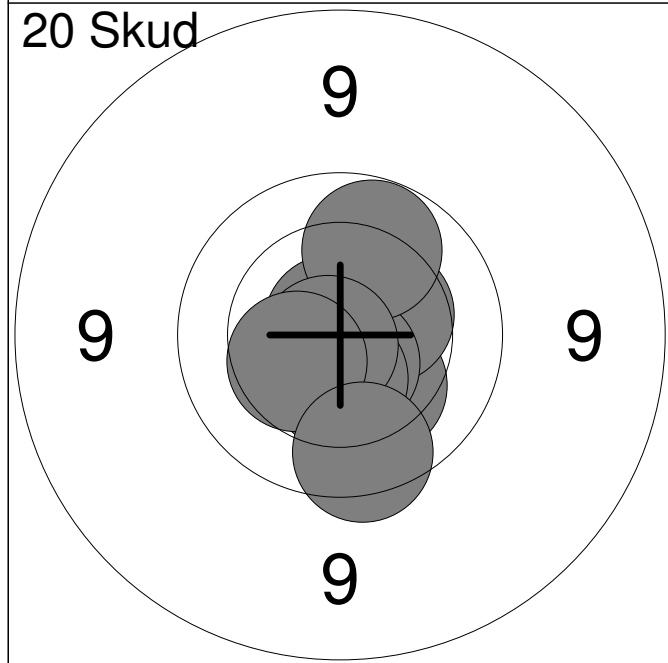
11: 10.8x →	16: 10.6x ↗	<b>Serie</b> 100	
12: 10.4 →	17: 10.3 ↘		
13: 10.6x ↘	18: 10.0 ↘	<b>Total</b> 198	
14: 10.4 ↗	19: 10.4 ↗		
15: 10.7x ↗	20: 10.8x ↗		



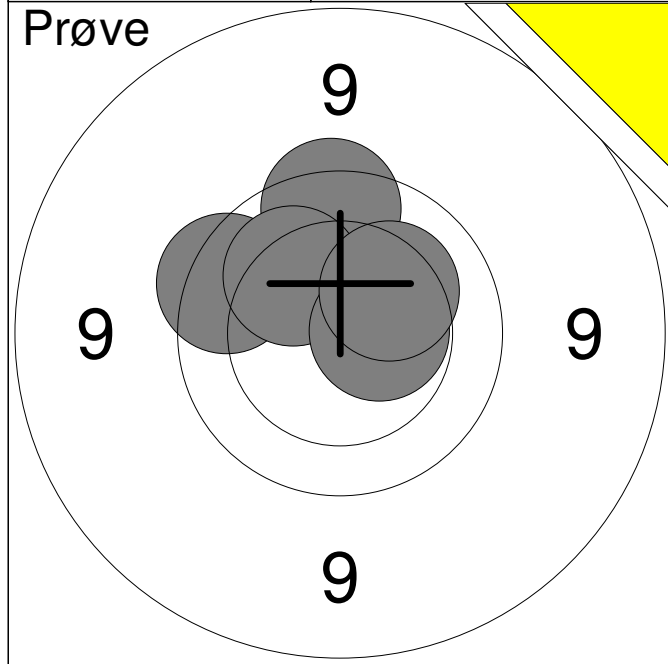
1:	10.7x	↑
2:	10.4	↗
3:	9.7	→
4:	10.3	↗
5:	10.5x	↑
6:	10.4	↓
<b>Serie</b>		<b>59.0</b>
<b>Total</b>		<b>0.0</b>



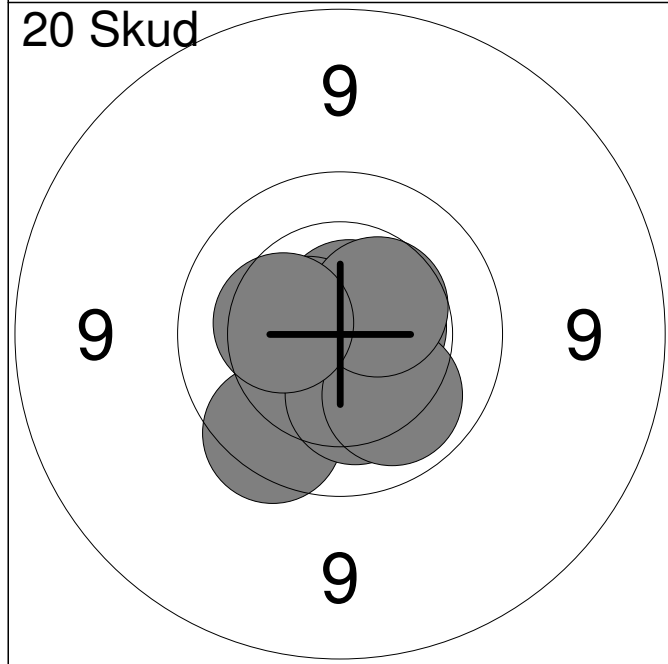
1:	10.3	↘
2:	9.8	↓
3:	10.5x	↘
4:	10.5x	↑
5:	10.5x	↗
6:	10.9x	↓
7:	10.0	→
8:	10.3	←
9:	10.6x	↗
10:	10.5	↑
<b>Serie</b>		<b>99.0</b>
<b>Total</b>		<b>99.0</b>



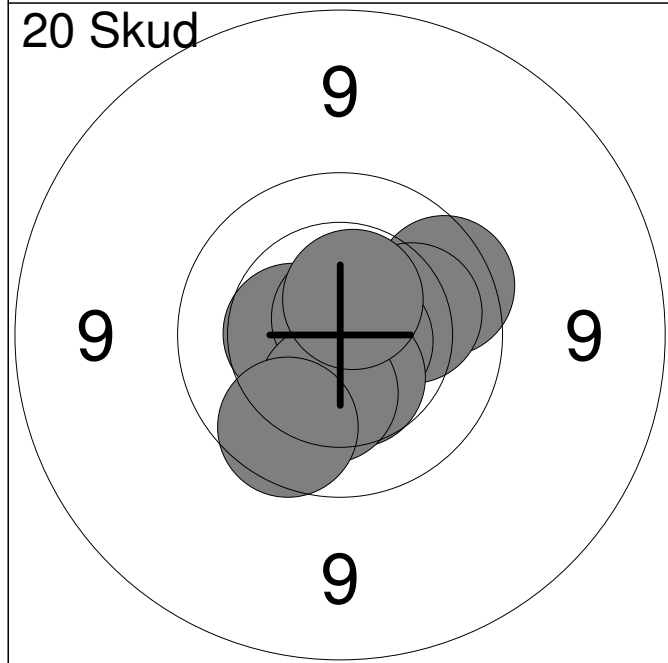
11:	10.8x	↗
12:	10.7x	↓
13:	10.3	↘
14:	10.4	→
15:	10.6x	↓
16:	10.0	↗
17:	10.5	↓
18:	10.8x	↙
19:	10.4	↙
20:	9.8	↓
<b>Serie</b>		<b>99.0</b>
<b>Total</b>		<b>198.0</b>



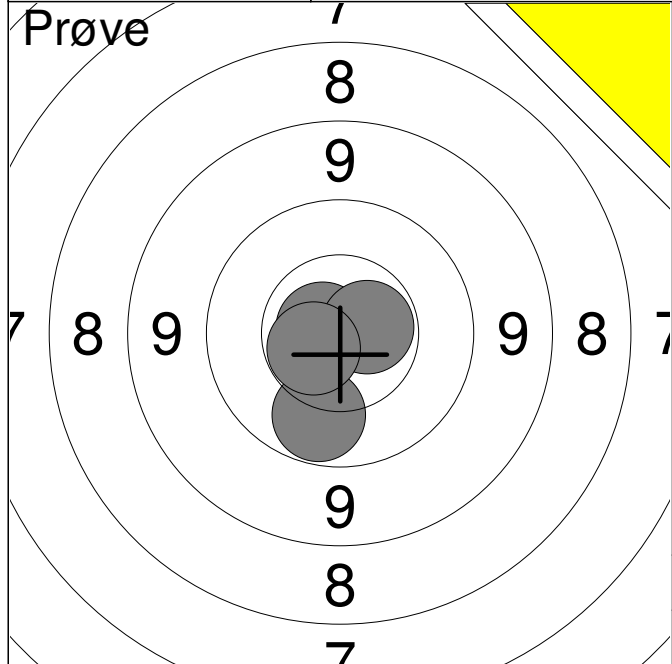
1:	9.8	↑
2:	9.8	↖
3:	10.2	↗
4:	10.5x	→
5:	10.3	↗
<b>Serie</b>		<b>48.0</b>
<b>Total</b>		<b>0.0</b>



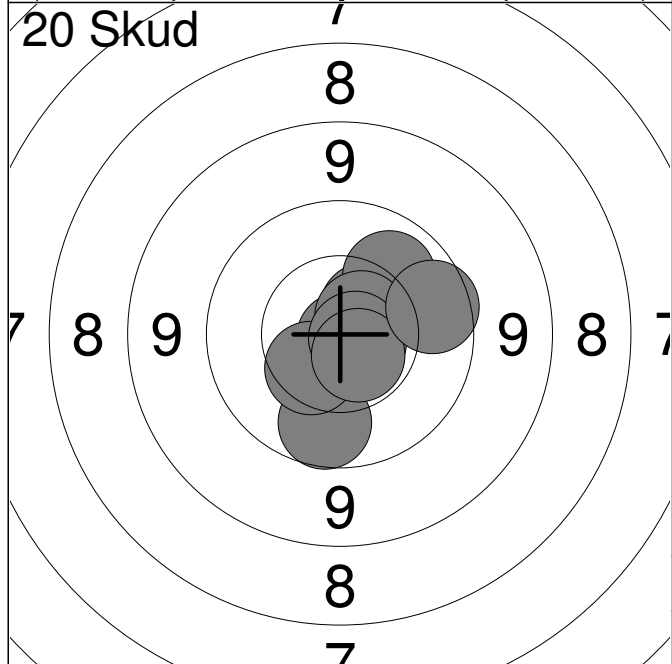
1:	10.5	↓
2:	9.8	↙
3:	10.7x	↗
4:	10.7x	↘
5:	10.6x	←
6:	10.6x	→
7:	10.3	↓
8:	10.1	↘
9:	10.4	↗
10:	10.3	←
<b>Serie</b>		<b>99.0</b>
<b>Total</b>		<b>99.0</b>



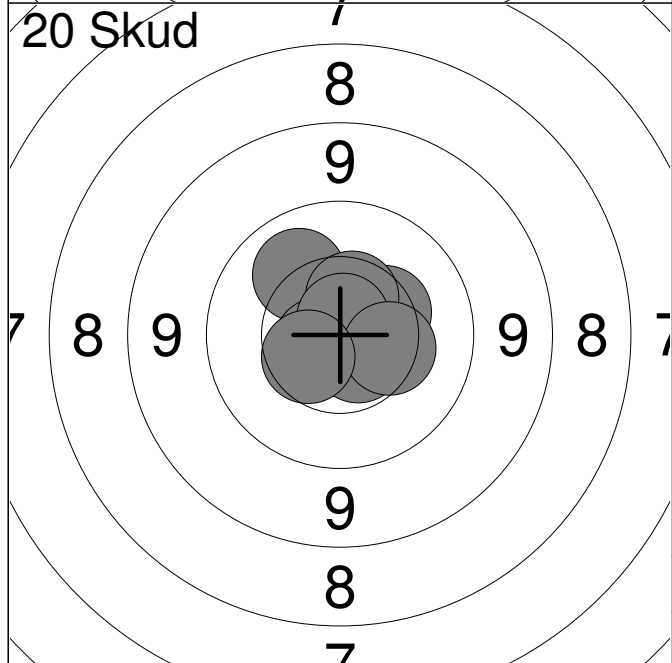
11:	9.8	↗
12:	10.1	→
13:	10.8x	↙
14:	10.4	←
15:	10.7x	→
16:	10.8x	↑
17:	10.5	↓
18:	10.3	↓
19:	10.5x	↗
20:	9.9	↙
<b>Serie</b>		<b>98.0</b>
<b>Total</b>		<b>197.0</b>



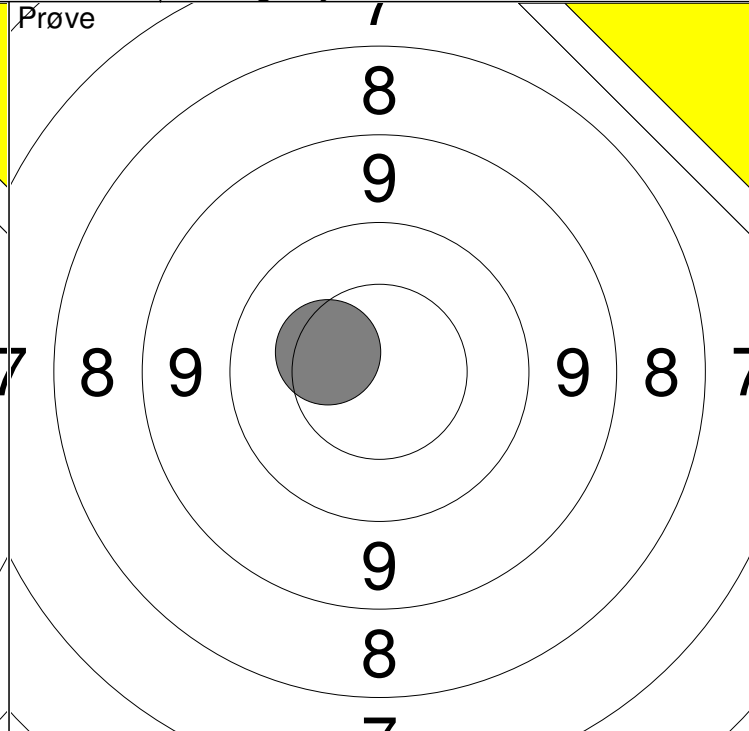
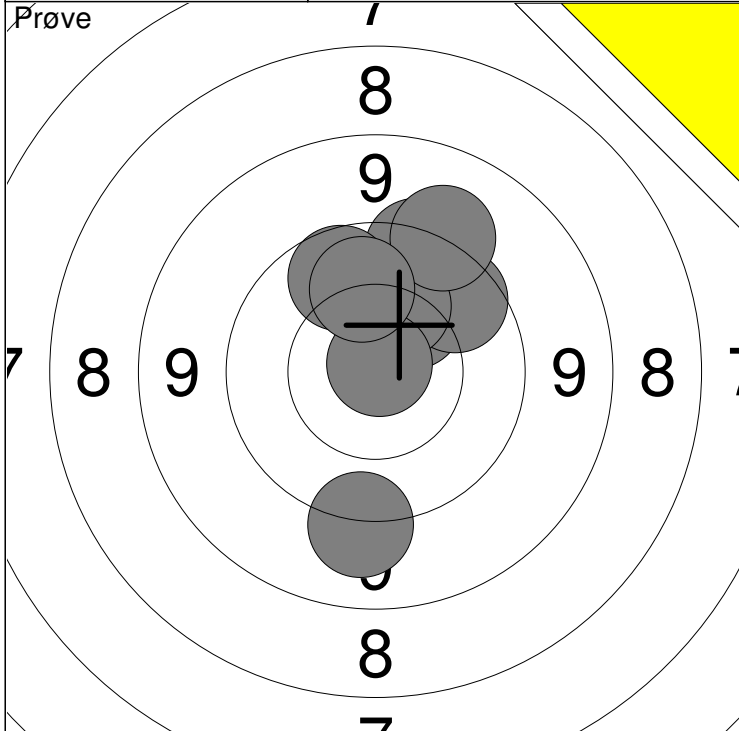
1:	10.0	↓
2:	10.7x	←
3:	10.6x	→
4:	10.6x	↙
<b>Serie</b>		<b>40.0</b>
<b>Total</b>		<b>0.0</b>



1:	10.5	↗
2:	10.9x	↓
3:	9.9	↓
4:	10.7x	→
5:	10.4	↙
6:	10.1	↗
7:	10.6x	↗
8:	10.8x	→
9:	10.6x	↓
10:	9.8	→
<b>Serie</b>		<b>98.0</b>
<b>Total</b>		<b>98.0</b>

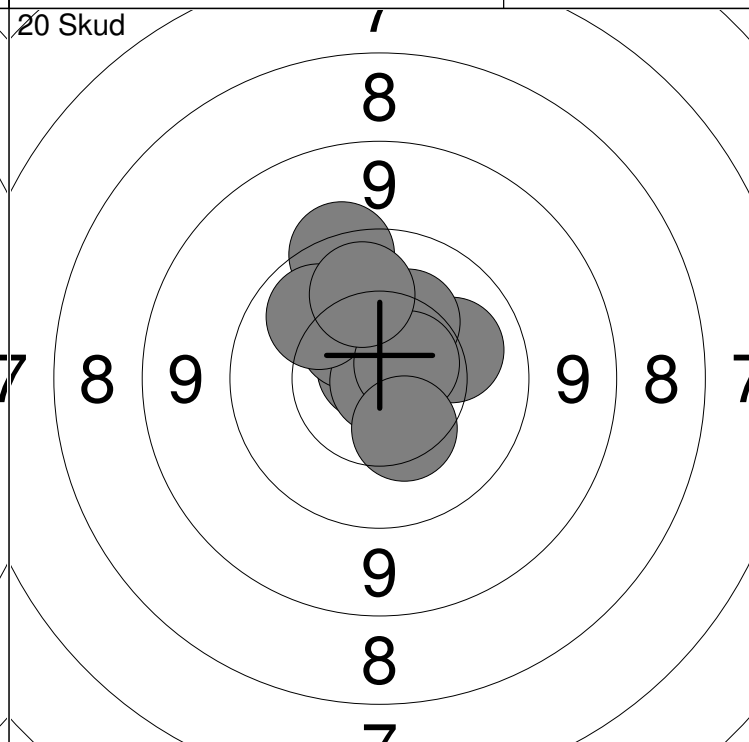
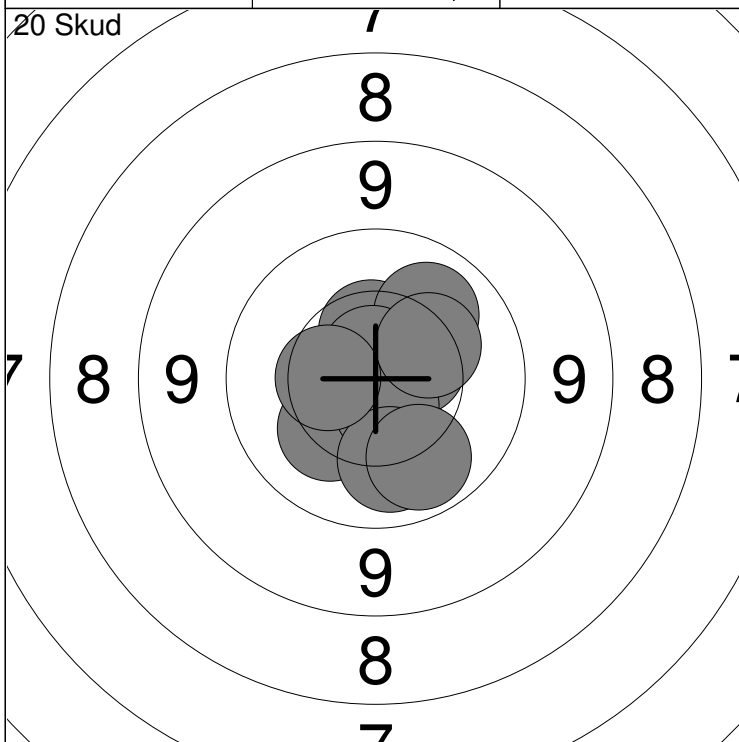


11:	10.4	↗
12:	10.1	↗
13:	10.5	↑
14:	10.7x	↙
15:	10.7x	↙
16:	10.8x	↙
17:	10.6x	↓
18:	10.8x	↑
19:	10.4	→
20:	10.5	↙
<b>Serie</b>		<b>100.0</b>
<b>Total</b>		<b>198.0</b>



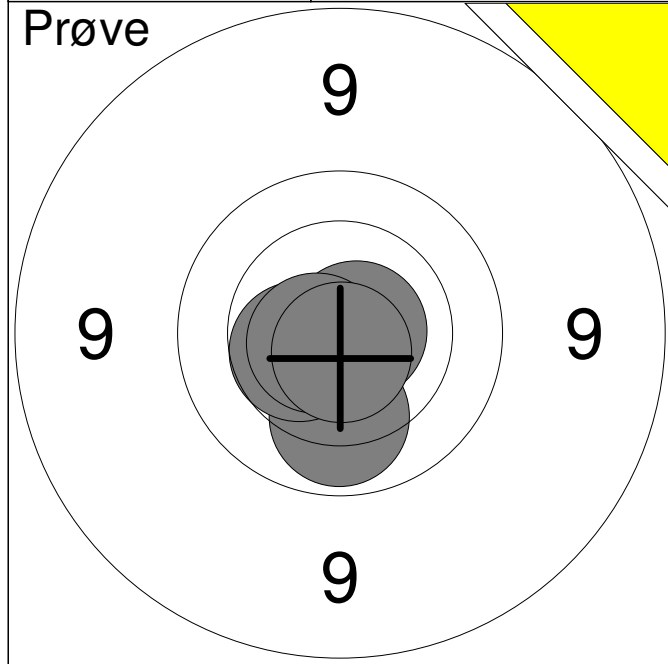
1: 9.6 ↑	6: 9.9 ↑	Serie	94
2: 9.9 ↗	7: 9.3 ↗		
3: 10.3 ↗	8: 10.9x ↗	Total	0
4: 9.8 ↗	9: 10.1 ↑		
5: 10.2 ↑	10: 9.3 ↓		

11: 10.4 ←	Serie	10
	Total	0

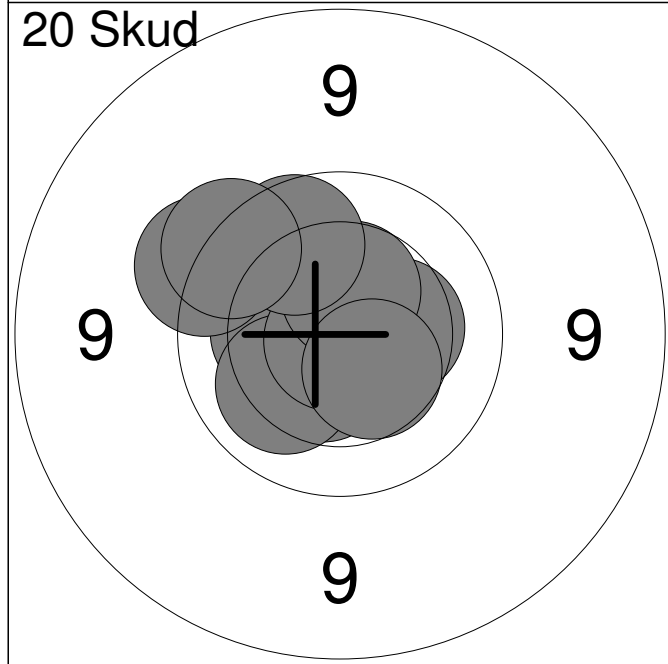


1: 10.5 ↑	6: 10.7x ↓	Serie	100
2: 10.3 ↙	7: 10.1 ↓		
3: 10.1 ↗	8: 10.0 ↓	Total	100
4: 10.5 →	9: 10.5 ←		
5: 10.7x ↑	10: 10.3 ↗		

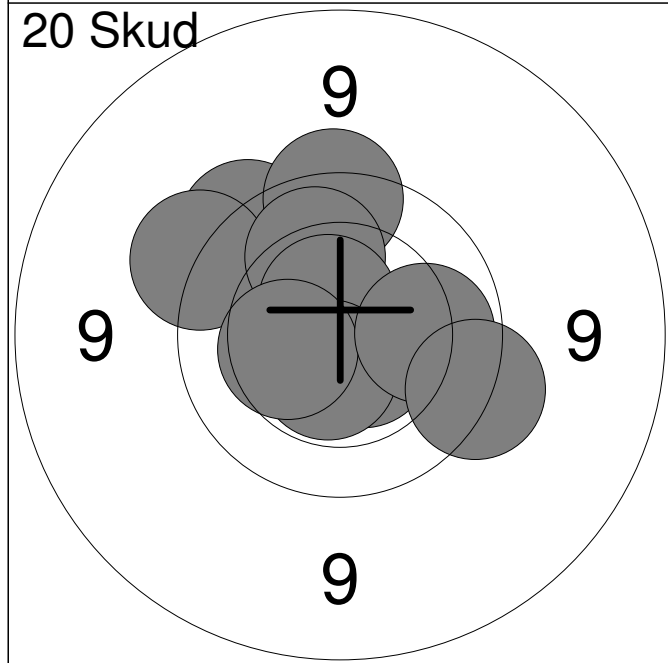
11: 10.1 →	16: 10.3 ↑	Serie	99
12: 10.8x ↗	17: 10.1 ↗		
13: 10.4 ↗	18: 10.6x →	Total	199
14: 10.9x ↓	19: 10.4 ↓		
15: 9.6 ↑	20: 10.1 ↑		



1:	10.8x	→
2:	10.0	↓
3:	10.5	←
4:	10.7x	←
5:	10.7x	↓
<b>Serie</b>		<b>50.0</b>
<b>Total</b>		<b>0.0</b>

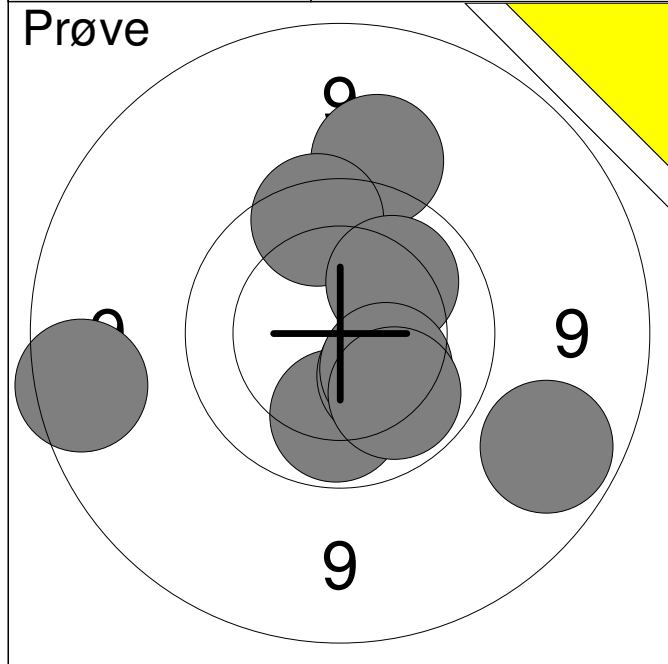


1:	10.3	←
2:	9.6	↖
3:	10.4	→
4:	10.5x	↓
5:	10.2	↙
6:	10.9x	↙
7:	10.5	↑
8:	9.9	↗
9:	10.4	↘
10:	9.7	↗
<b>Serie</b>		<b>97.0</b>
<b>Total</b>		<b>97.0</b>

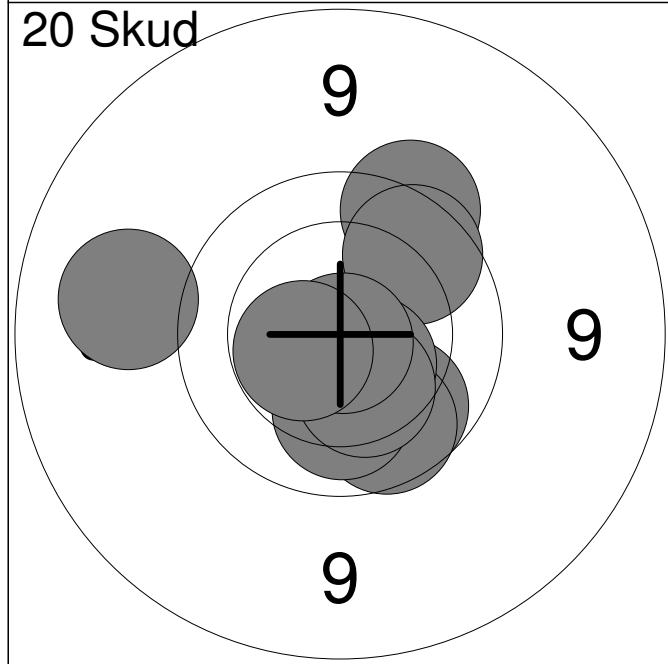


11:	9.7	↗
12:	10.6x	↘
13:	9.5	↖
14:	9.7	↑
15:	10.1	↗
16:	10.6x	↗
17:	10.6x	↓
18:	10.4	←
19:	10.0	→
20:	9.6	↘
<b>Serie</b>		<b>96.0</b>
<b>Total</b>		<b>193.0</b>

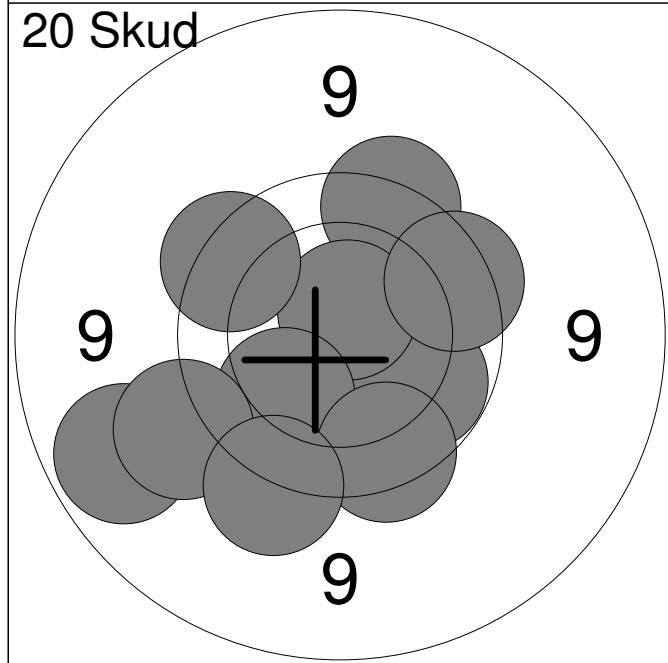




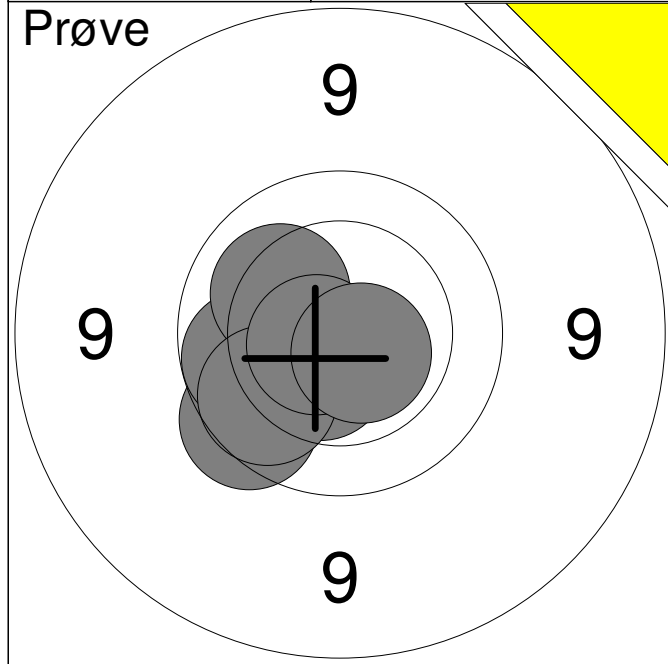
1:	10.0	↓
2:	10.3	↘
3:	9.0	↘
4:	9.4	↑
5:	9.8	↑
6:	10.1	↗
7:	8.9	←
8:	10.3	↘
9:	10.0	↘
<b>Serie</b>		<b>85.0</b>
<b>Total</b>		<b>0.0</b>



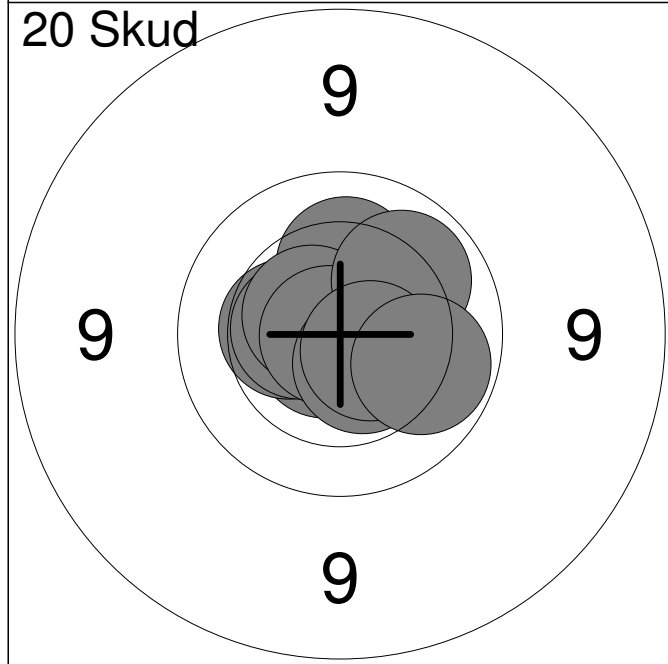
1:	10.0	↘
2:	9.9	↘
3:	10.1	↓
4:	9.6	↗
5:	9.9	↗
6:	9.2	←
7:	10.5x	↘
8:	10.3	↘
9:	10.9x	↘
10:	10.5x	←
<b>Serie</b>		<b>96.0</b>
<b>Total</b>		<b>96.0</b>



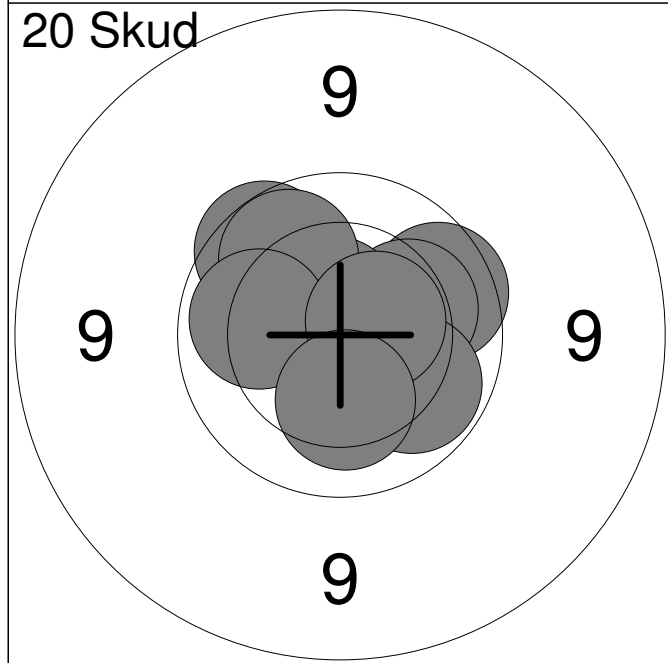
11:	10.0	↘
12:	9.7	↑
13:	10.7x	↑
14:	9.0	←
15:	10.0	↘
16:	9.7	↗
17:	9.4	←
18:	9.7	↘
19:	9.7	↗
20:	9.5	↘
<b>Serie</b>		<b>93.0</b>
<b>Total</b>		<b>189.0</b>



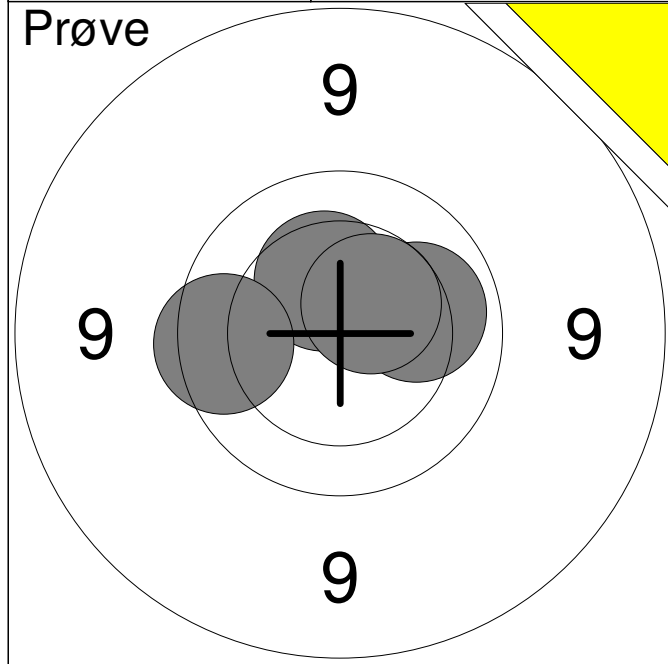
1:	10.5x	↙
2:	9.7	↙
3:	10.0	←
4:	10.2	↗
5:	9.9	↙
6:	10.7x	←
7:	10.6x	↘
<b>Serie</b>		<b>68.0</b>
<b>Total</b>		<b>0.0</b>



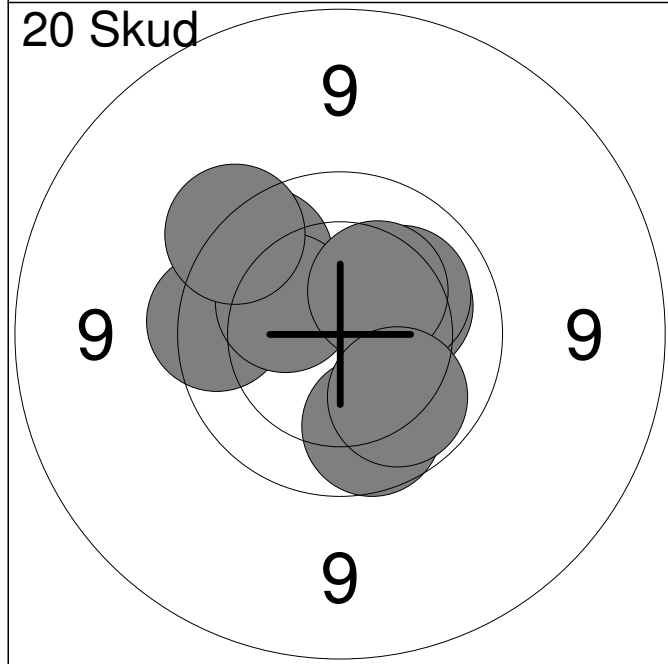
1:	10.7x	↙
2:	10.4	←
3:	10.5x	←
4:	10.2	↑
5:	10.6x	↗
6:	10.8x	←
7:	10.1	↗
8:	10.6x	↘
9:	10.6x	↘
10:	10.0	→
<b>Serie</b>		<b>100.0</b>
<b>Total</b>		<b>100.0</b>



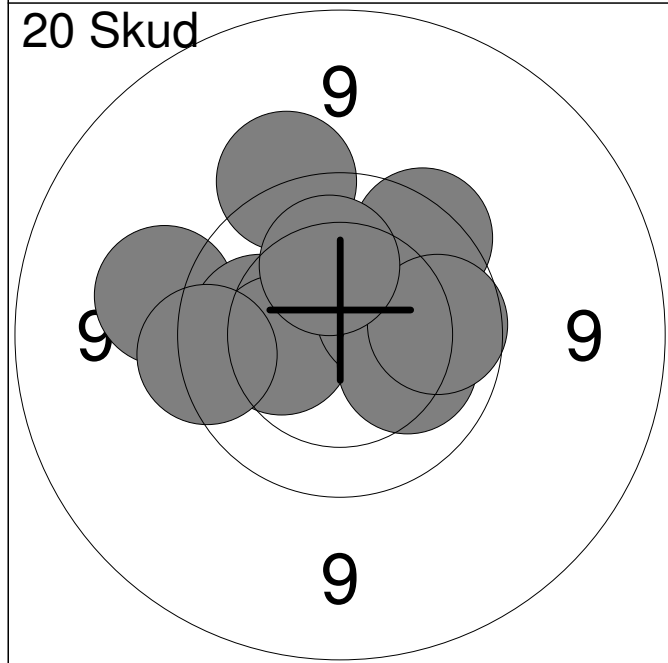
11:	10.7x	←
12:	9.9	→
13:	10.2	→
14:	10.6x	↑
15:	9.8	↗
16:	10.0	↗
17:	10.0	↘
18:	10.1	←
19:	10.5x	→
20:	10.2	↓
<b>Serie</b>		<b>98.0</b>
<b>Total</b>		<b>198.0</b>



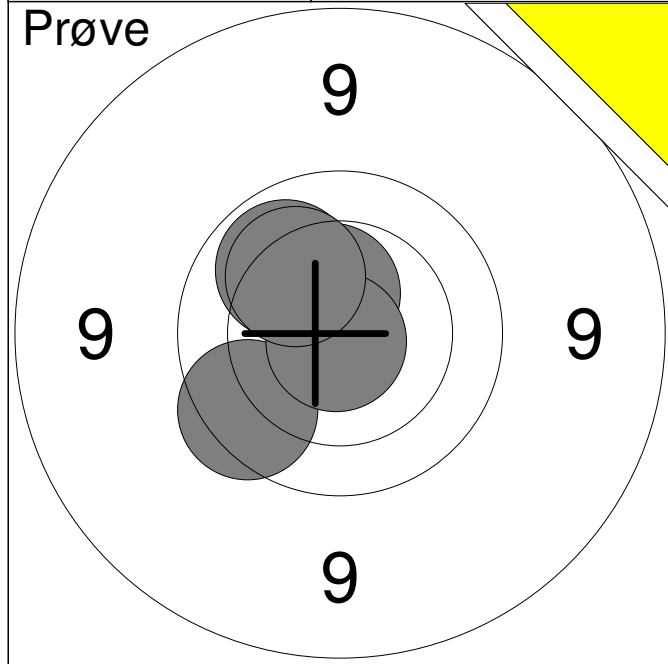
	1:	10.1	→
	2:	10.4	↑
	3:	10.5	↗
	4:	9.8	←
<b>Serie</b>			<b>39.0</b>
<b>Total</b>			<b>0.0</b>



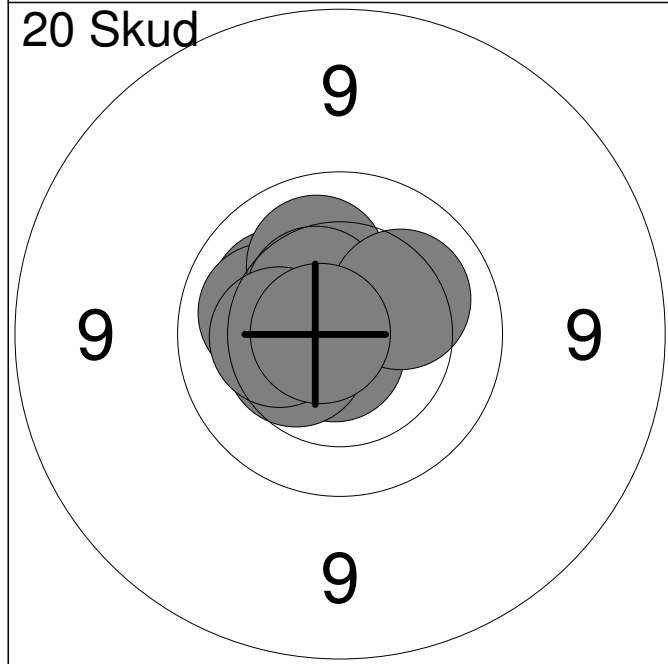
	1:	10.0	↗
	2:	9.8	↗
	3:	9.9	↓
	4:	9.8	←
	5:	10.2	→
	6:	10.3	↗
	7:	10.2	↗
	8:	10.3	↗
	9:	9.6	↗
	10:	10.0	↓
<b>Serie</b>			<b>96.0</b>
<b>Total</b>			<b>96.0</b>



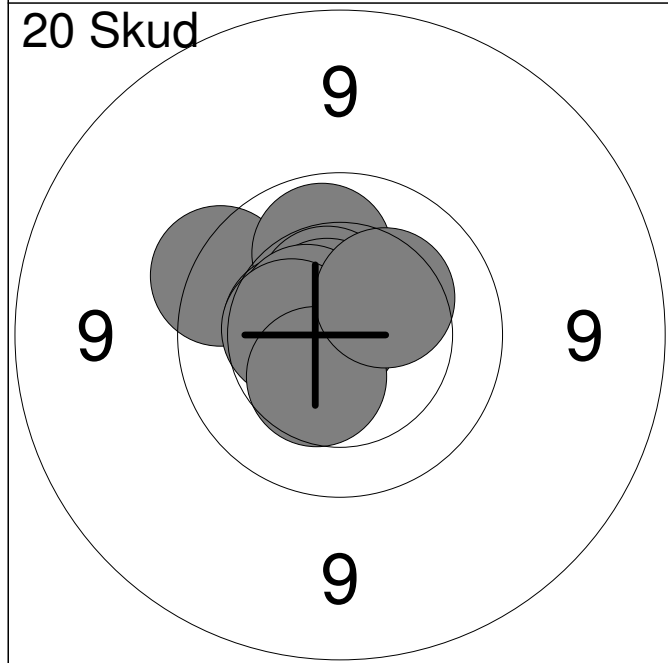
	11:	9.5	↑
	12:	9.4	←
	13:	10.1	←
	14:	10.3	←
	15:	9.7	←
	16:	10.4	↗
	17:	9.7	↗
	18:	10.2	→
	19:	9.9	→
	20:	10.2	↑
<b>Serie</b>			<b>95.0</b>
<b>Total</b>			<b>191.0</b>



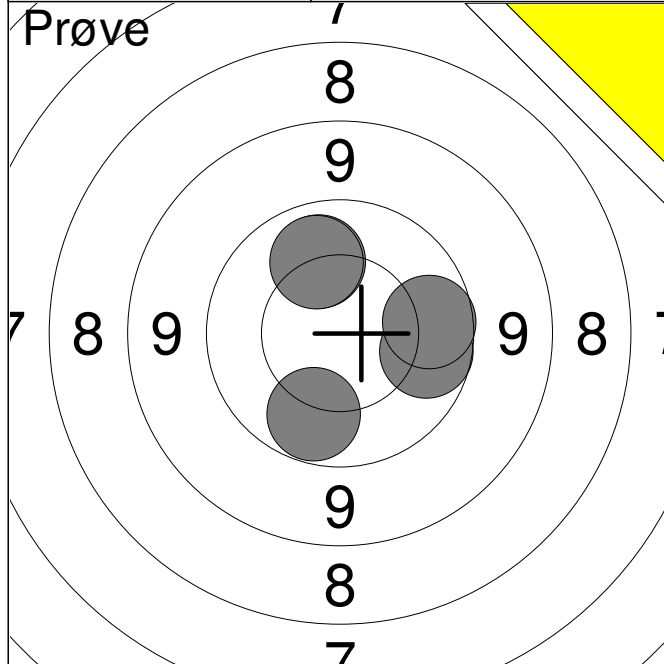
1:	9.8	↙
2:	10.5x	↑
3:	10.9x	↘
4:	10.0	↗
5:	10.2	↗
<b>Serie</b>		<b>49.0</b>
<b>Total</b>		<b>0.0</b>



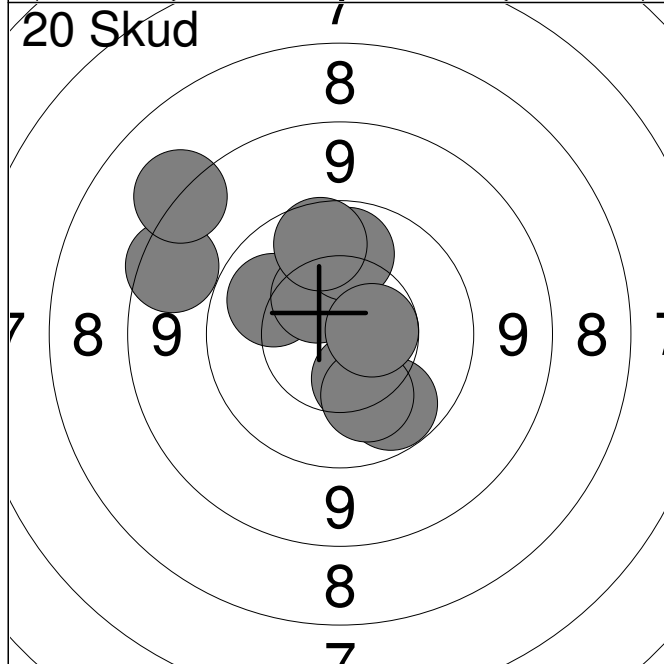
1:	10.8x	↘
2:	10.4	↙
3:	10.6x	↗
4:	10.2	↗
5:	10.1	↗
6:	10.2	↗
7:	10.5	↗
8:	10.2	↗
9:	10.3	↙
10:	10.7x	↙
<b>Serie</b>		<b>100.0</b>
<b>Total</b>		<b>100.0</b>



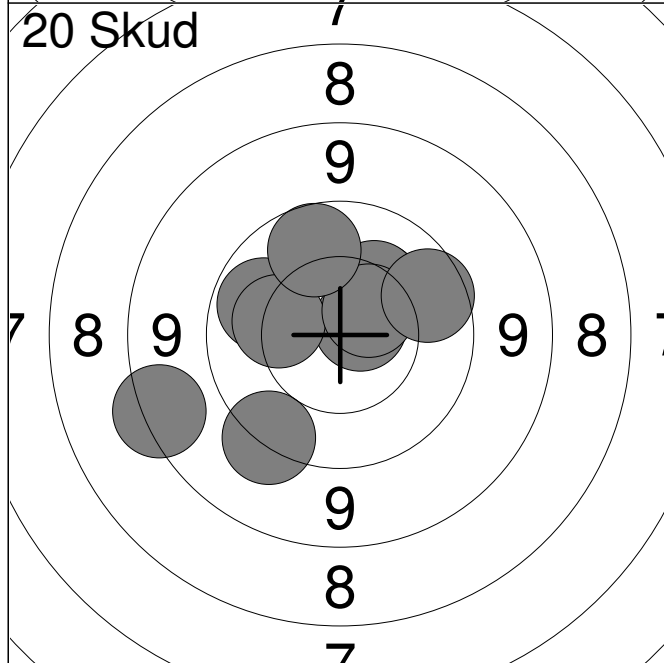
11:	10.8x	↙
12:	9.7	↗
13:	10.0	↑
14:	10.4	↙
15:	10.5x	↗
16:	10.6x	↗
17:	10.5x	↗
18:	10.4	↙
19:	10.4	↘
20:	10.3	↗
<b>Serie</b>		<b>99.0</b>
<b>Total</b>		<b>199.0</b>



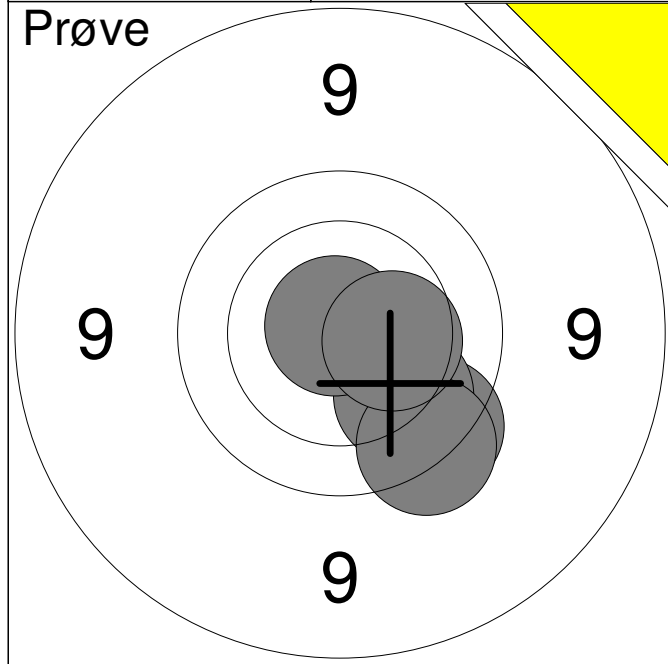
	1:	9.9	→
	2:	9.9	→
	3:	10.1	↑
	4:	10.0	↓
	5:	10.1	↑
<b>Serie</b>			<b>48.0</b>
<b>Total</b>			<b>0.0</b>



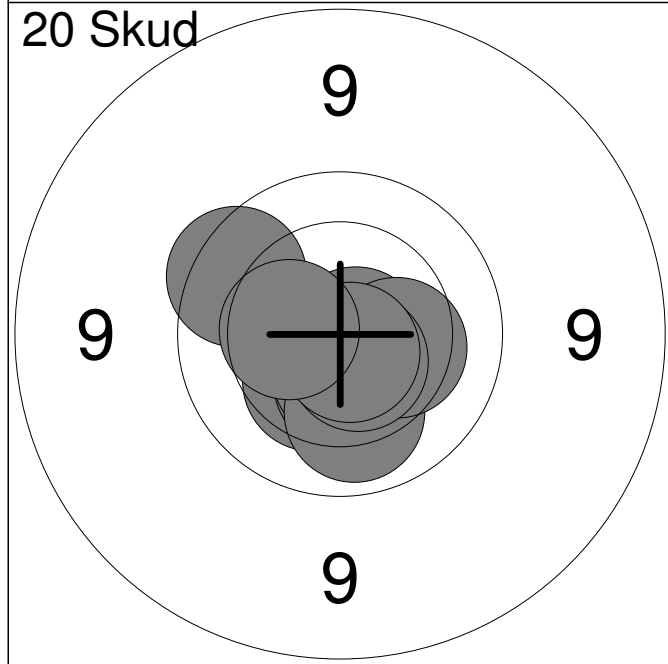
	1:	10.4	↓
	2:	8.7	↑
	3:	10.1	↑
	4:	10.0	↓
	5:	8.4	↑
	6:	10.4	↑
	7:	10.0	↑
	8:	10.2	↓
	9:	10.6	→
	10:	9.9	↑
<b>Serie</b>			<b>95.0</b>
<b>Total</b>			<b>95.0</b>



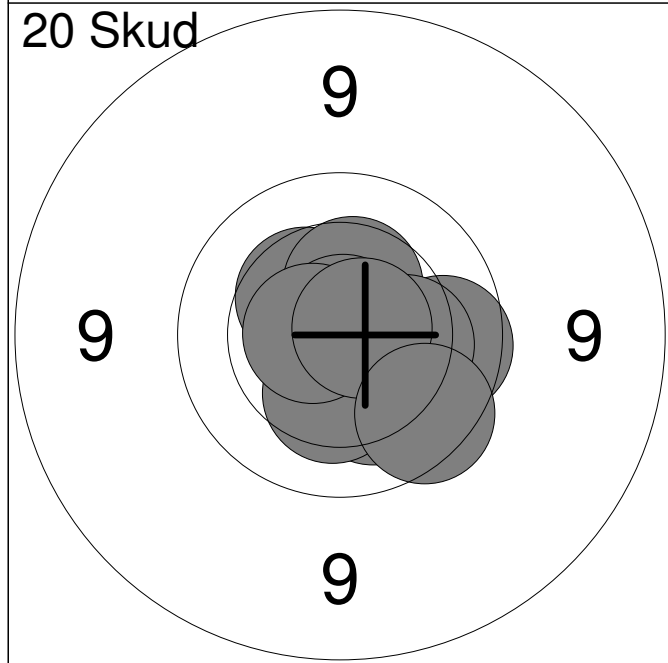
	11:	10.7x	→
	12:	10.3	↑
	13:	10.0	←
	14:	10.3	↑
	15:	10.2	←
	16:	9.5	↓
	17:	10.5	↑
	18:	8.6	←
	19:	9.8	→
	20:	9.9	↑
<b>Serie</b>			<b>95.0</b>
<b>Total</b>			<b>190.0</b>



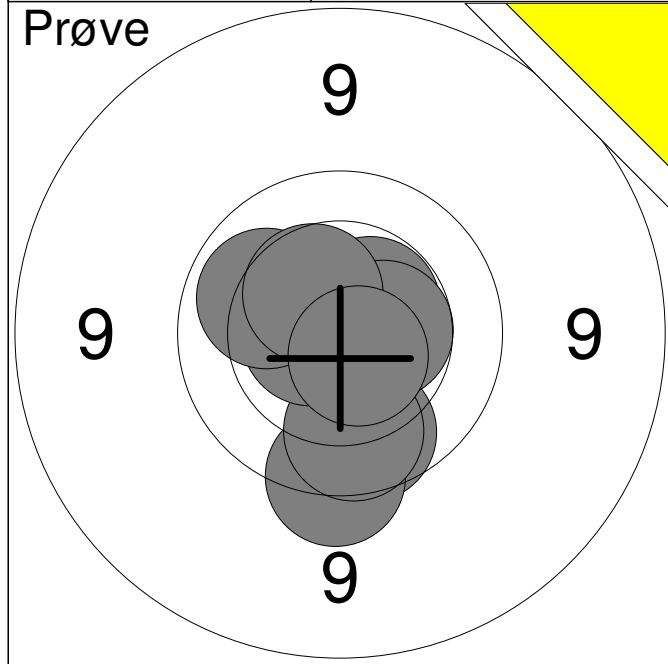
1:	9.7	↘
2:	10.0	↘
3:	10.8x	↗
4:	9.7	↘
5:	10.4	→
<b>Serie</b>		<b>48.0</b>
<b>Total</b>		<b>0.0</b>



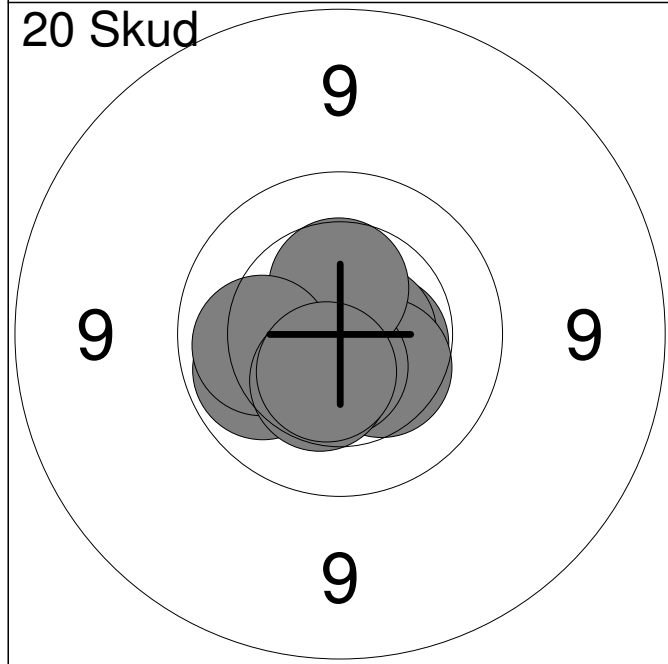
1:	10.8x	→
2:	10.4	↘
3:	10.4	↘
4:	9.8	↗
5:	10.5x	↘
6:	10.1	↘
7:	10.3	→
8:	10.6x	↘
9:	10.7x	↘
10:	10.4	←
<b>Serie</b>		<b>99.0</b>
<b>Total</b>		<b>99.0</b>



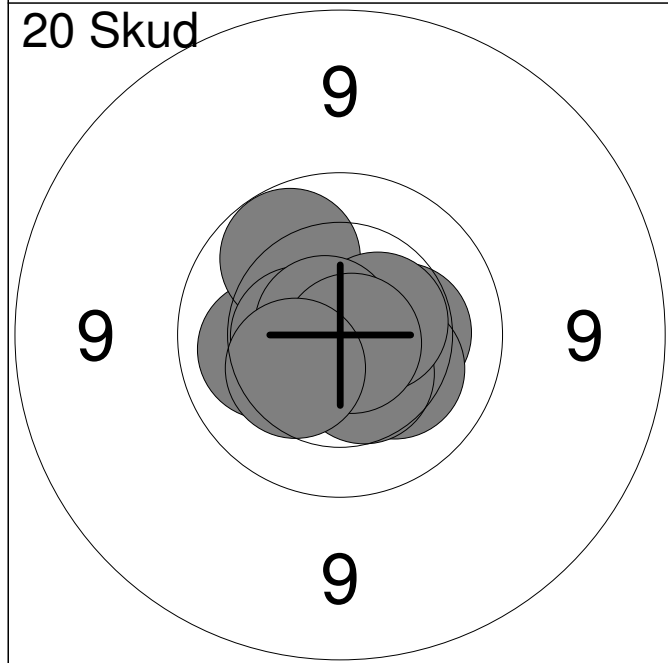
11:	10.4	↗
12:	10.4	↗
13:	10.8x	↗
14:	10.2	↘
15:	9.9	→
16:	10.2	→
17:	10.3	↘
18:	10.7x	←
19:	10.7x	→
20:	9.8	↘
<b>Serie</b>		<b>98.0</b>
<b>Total</b>		<b>197.0</b>



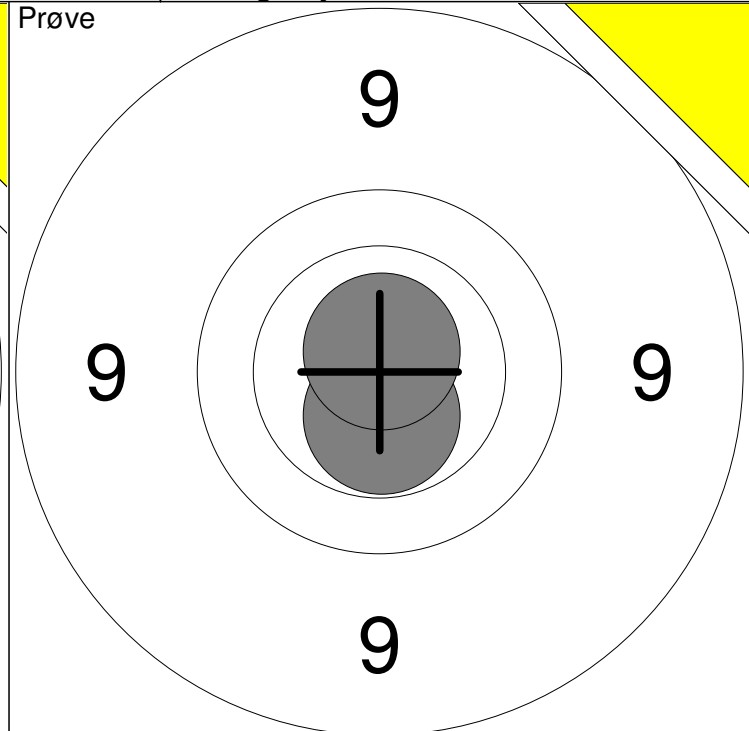
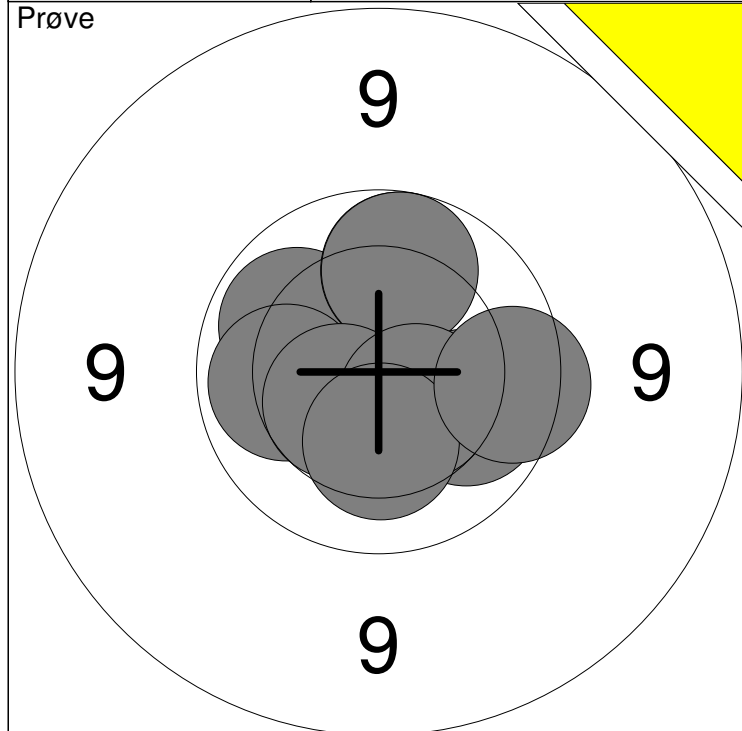
1:	9.9	↓
2:	9.6	↓
3:	9.9	↓
4:	10.5x	↗
5:	10.5	→
6:	10.6x	←
7:	10.1	↗
8:	10.4	↗
9:	10.6x	↓
<b>Serie</b>		<b>87.0</b>
<b>Total</b>		<b>0.0</b>



1:	10.5x	→
2:	10.7x	→
3:	10.4	↓
4:	10.0	←
5:	10.6x	←
6:	10.6x	↓
7:	10.4	↑
8:	10.1	←
9:	10.4	↓
10:	10.5x	↓
<b>Serie</b>		<b>100.0</b>
<b>Total</b>		<b>100.0</b>

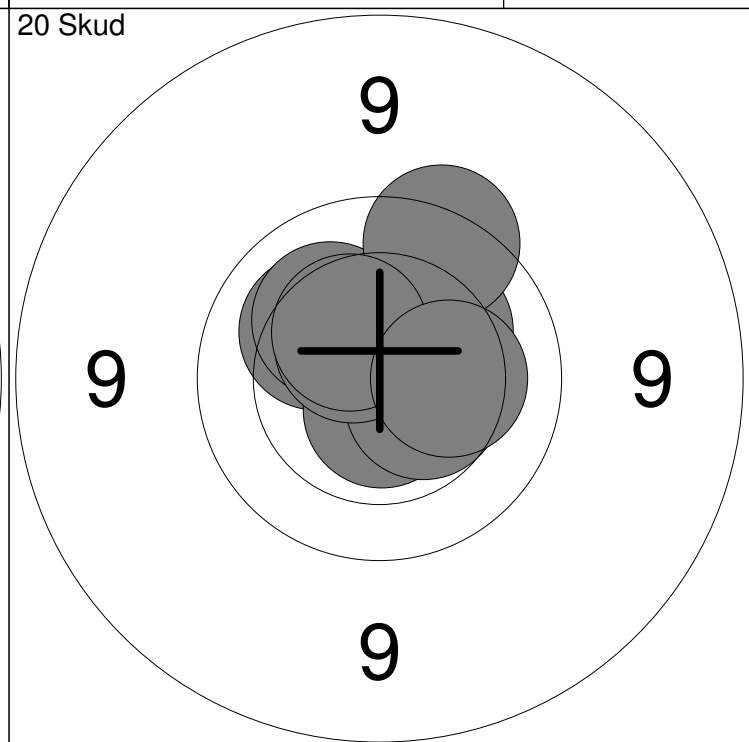
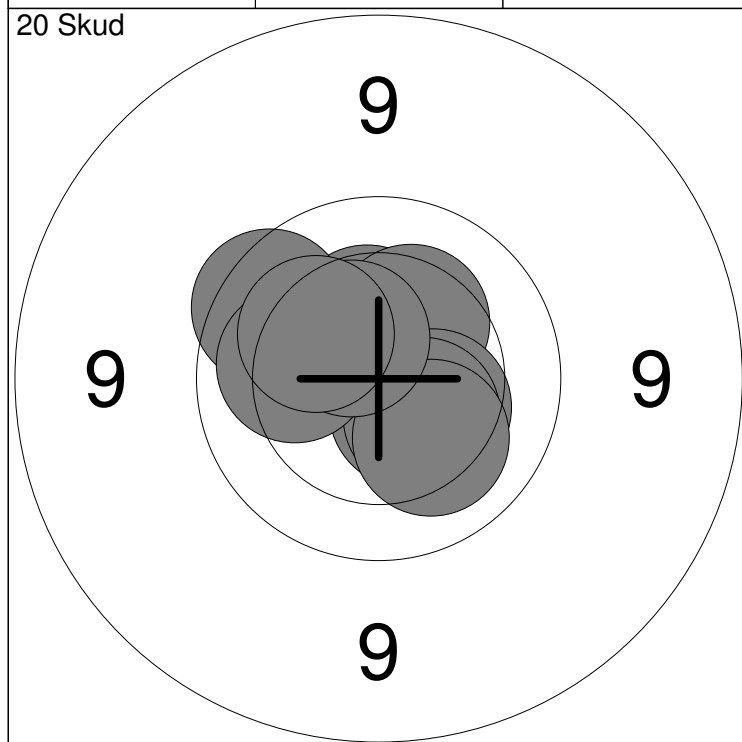


11:	10.1	←
12:	10.0	↗
13:	10.3	→
14:	10.3	↓
15:	10.5x	←
16:	10.5	↓
17:	10.5x	→
18:	10.8x	↗
19:	10.8x	↓
20:	10.3	↙
<b>Serie</b>		<b>100.0</b>
<b>Total</b>		<b>200.0</b>



1: 10.0 →	7: 10.5 ↙	Serie	88
2: 10.0 ↗	8: 10.5 ↘		
3: 9.9 ↑	9: 10.3 ↓	Total	0
4: 10.0 ↑	10: 9.8 →		
5: 10.1 ←			

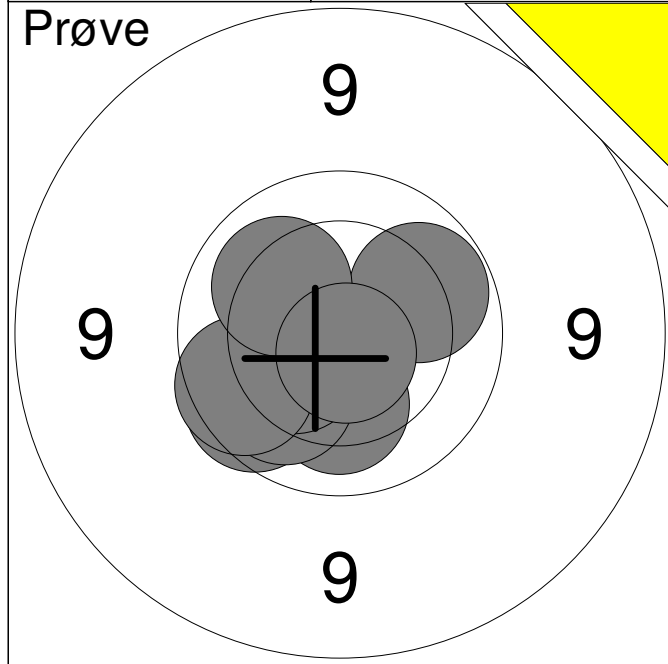
11: 10.5x ↓	Serie	20
12: 10.8x ↑		
	Total	0



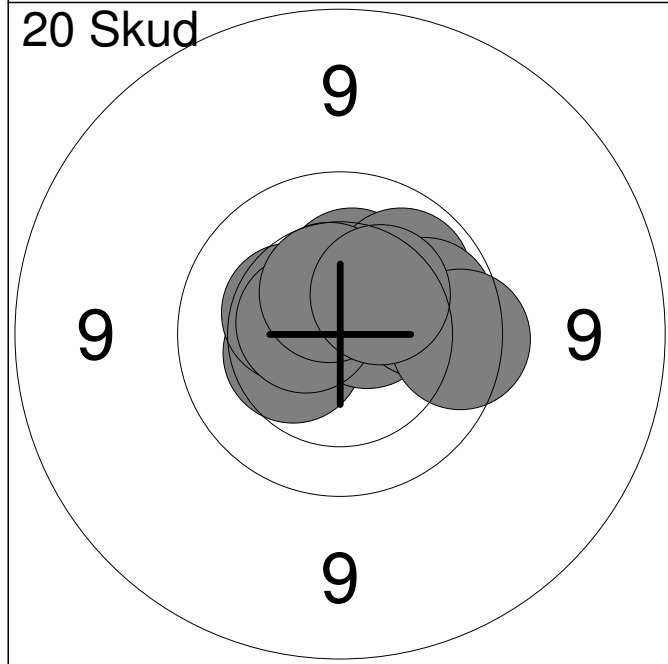
1: 10.4 ↑	6: 10.2 ↘	Serie	99
2: 10.3 ↗	7: 9.8 ↗		
3: 10.5x ↘	8: 10.1 ←	Total	99
4: 10.4 ↘	9: 10.5 ↗		
5: 10.4 ↘	10: 10.2 ↗		

11: 10.2 ↗	16: 10.5 ↘	Serie	99
12: 10.2 ↗	17: 10.5x ↗		
13: 10.6x ↘	18: 9.7 ↑	Total	198
14: 10.2 ↗	19: 10.4 ↗		
15: 10.5x ↗	20: 10.3 →		

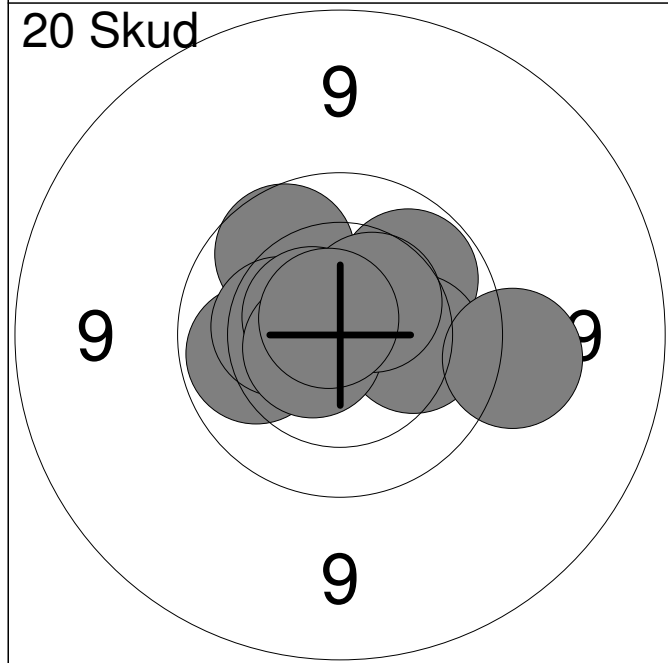




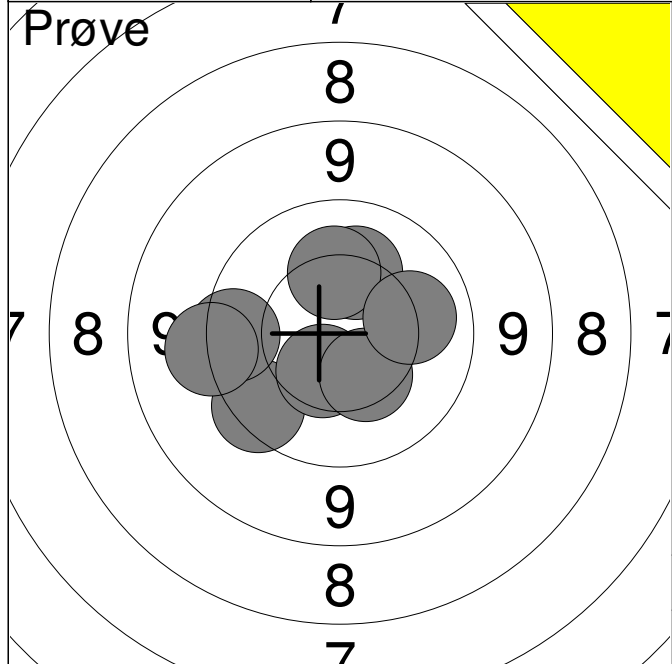
1:	9.8	↙
2:	10.0	→
3:	10.2	↓
4:	10.1	↙
5:	10.4	↙
6:	9.9	↙
7:	10.1	↗
8:	10.7x	↓
<b>Serie</b>		<b>78.0</b>
<b>Total</b>		<b>0.0</b>



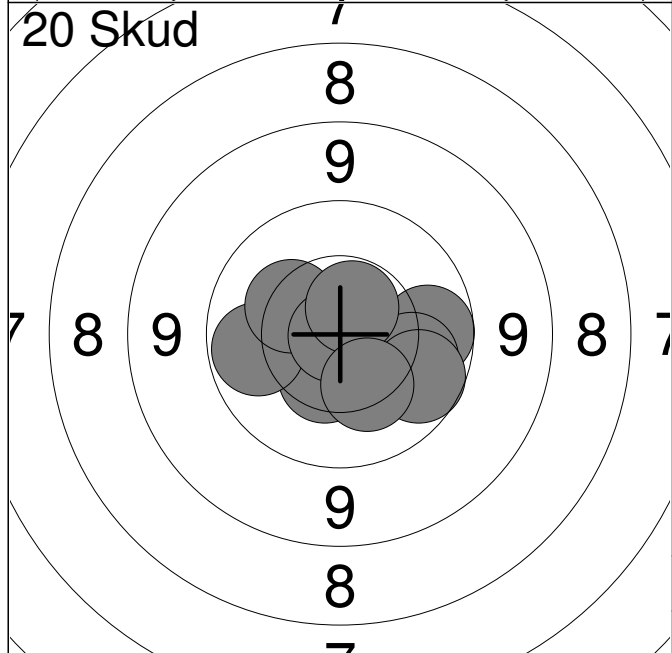
1:	10.3	↑
2:	10.4	↙
3:	10.0	↗
4:	10.6x	↗
5:	10.4	↙
6:	10.6x	↙
7:	10.0	→
8:	9.8	→
9:	10.5	↑
10:	10.3	↗
<b>Serie</b>		<b>99.0</b>
<b>Total</b>		<b>99.0</b>



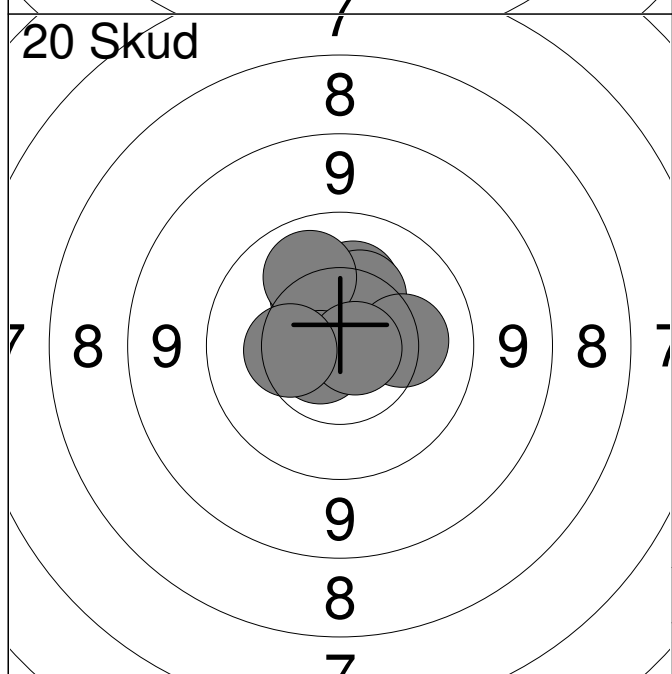
11:	10.0	←
12:	9.9	↗
13:	10.3	←
14:	10.0	↗
15:	10.2	→
16:	10.6x	↗
17:	10.6x	↙
18:	10.5	↗
19:	10.7x	↗
20:	9.4	→
<b>Serie</b>		<b>98.0</b>
<b>Total</b>		<b>197.0</b>



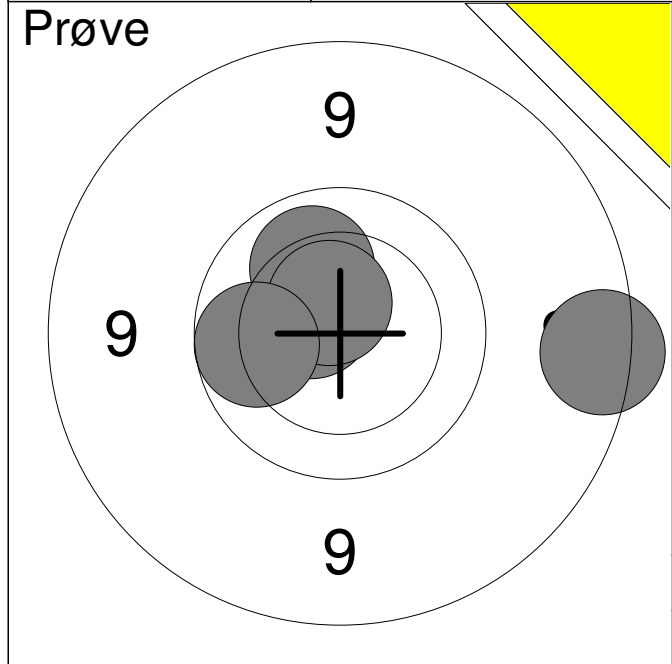
1:	9.7	↙
2:	10.2	↑
3:	10.5	↘
4:	10.4	↘
5:	9.7	←
6:	9.4	←
7:	10.2	↑
8:	10.1	→
<b>Serie</b>		<b>77.0</b>
<b>Total</b>		<b>0.0</b>



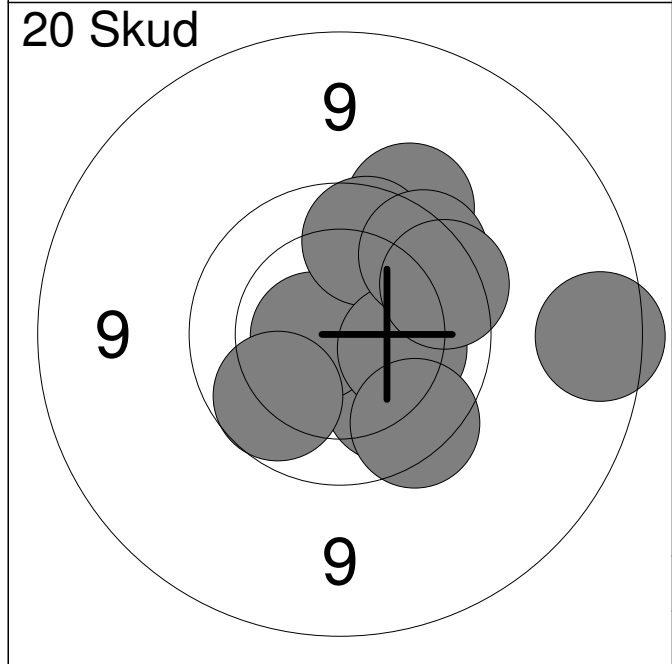
1:	10.7x	↑
2:	10.4	↘
3:	10.0	←
4:	9.9	→
5:	10.3	↗
6:	10.1	→
7:	10.9x	←
8:	9.9	↘
9:	10.6x	↑
10:	10.3	↘
<b>Serie</b>		<b>98.0</b>
<b>Total</b>		<b>98.0</b>



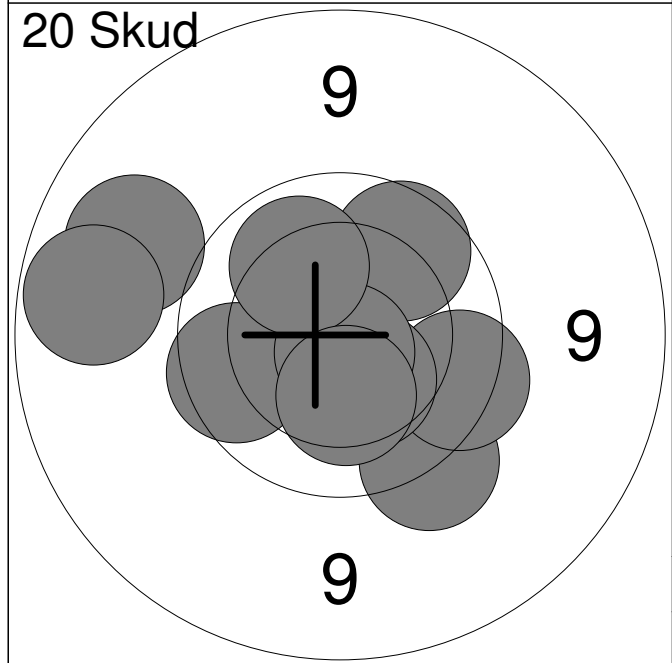
11:	10.5	↑
12:	10.6x	↑
13:	10.3	↑
14:	10.3	↑
15:	10.3	↑
16:	10.2	→
17:	10.1	↑
18:	10.7x	←
19:	10.8x	→
20:	10.4	←
<b>Serie</b>		<b>100.0</b>
<b>Total</b>		<b>198.0</b>



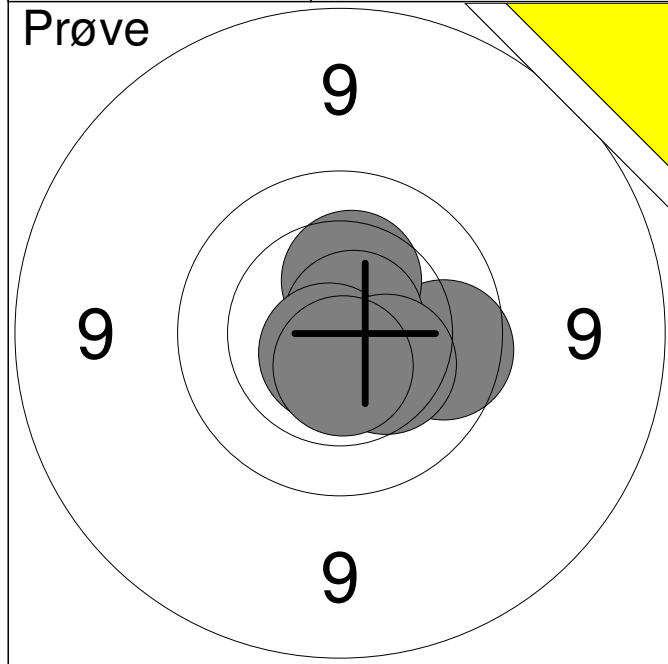
1:	10.5x	↗
2:	10.1	↗
3:	10.6x	↗
4:	8.8	→
5:	9.9	←
<b>Serie</b>		<b>47.0</b>
<b>Total</b>		<b>0.0</b>



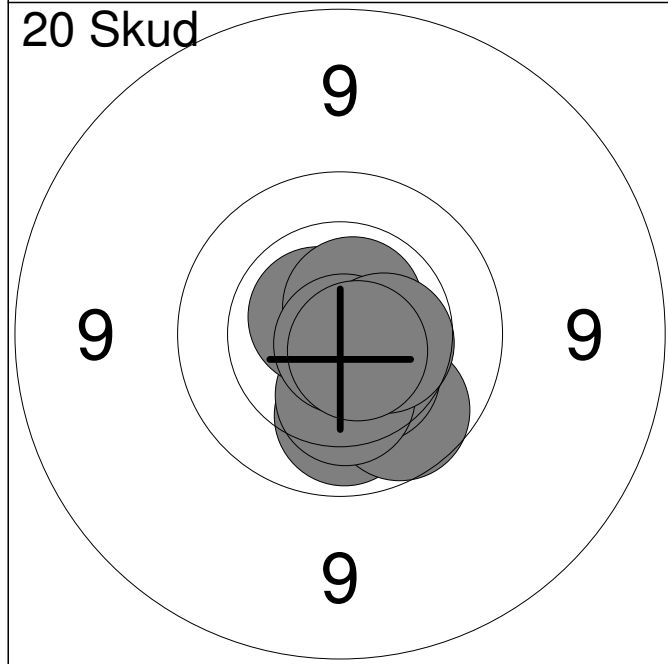
1:	10.0	↘
2:	10.7x	←
3:	9.6	↗
4:	9.9	↗
5:	8.9	→
6:	10.2	→
7:	9.8	↗
8:	9.8	↗
9:	9.9	↘
10:	9.7	↘
<b>Serie</b>		<b>92.0</b>
<b>Total</b>		<b>92.0</b>



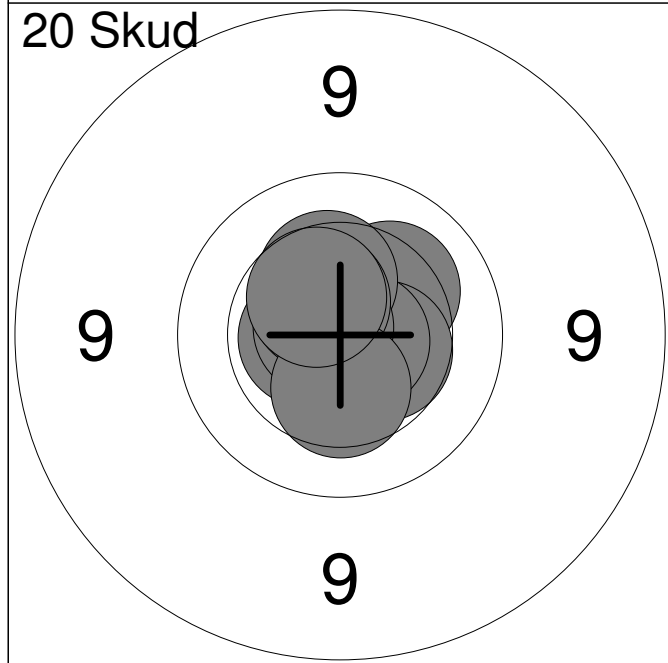
11:	9.6	↘
12:	9.7	→
13:	10.4	↘
14:	9.8	←
15:	9.9	↗
16:	9.1	↗
17:	10.8x	↘
18:	10.1	↗
19:	9.0	←
20:	10.3	↘
<b>Serie</b>		<b>94.0</b>
<b>Total</b>		<b>186.0</b>



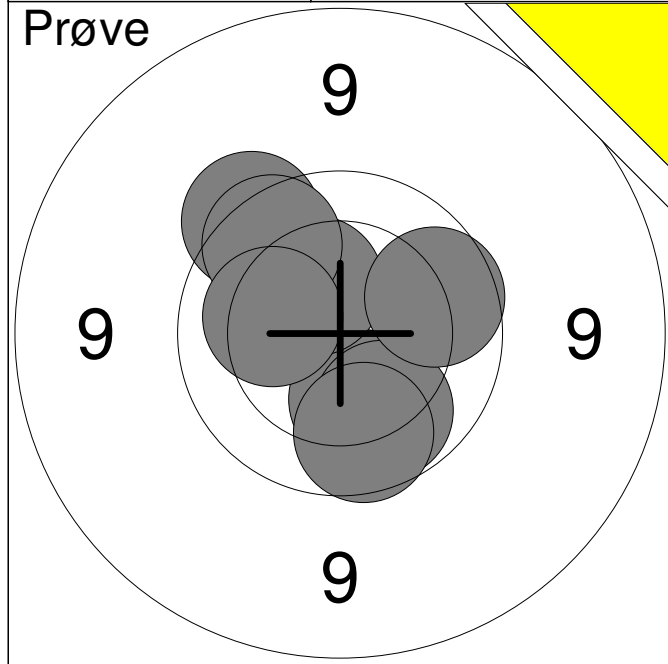
1:	9.9	→
2:	10.4	↑
3:	10.7x	↗
4:	10.7x	↘
5:	10.4	↘
6:	10.6x	↓
<b>Serie</b>		<b>59.0</b>
<b>Total</b>		<b>0.0</b>



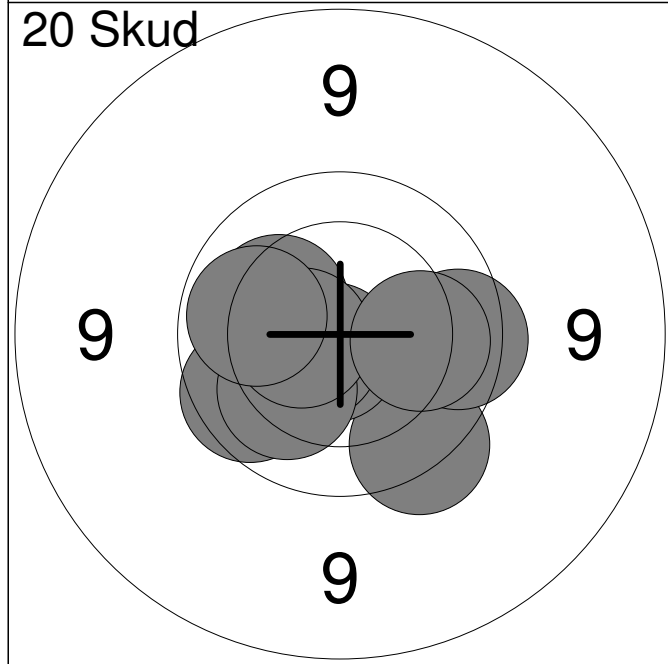
1:	10.3	↘
2:	10.1	↓
3:	9.9	↘
4:	10.4	↘
5:	10.3	↘
6:	10.6x	↗
7:	10.6x	↗
8:	10.8x	↓
9:	10.5	→
10:	10.7x	↘
<b>Serie</b>		<b>99.0</b>
<b>Total</b>		<b>99.0</b>



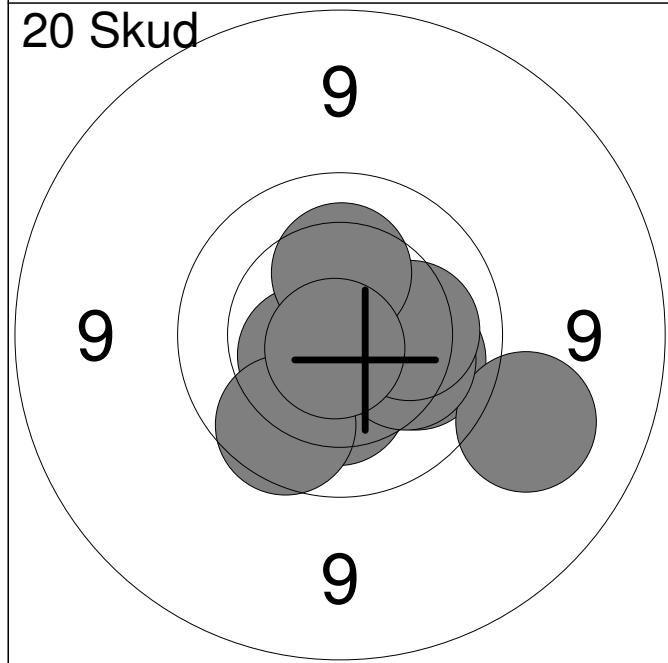
11:	10.2	↗
12:	10.8x	↗
13:	10.5	↘
14:	10.7x	↘
15:	10.6x	←
16:	10.3	↗
17:	10.8x	↗
18:	10.5x	↗
19:	10.4	↓
20:	10.5	↗
<b>Serie</b>		<b>100.0</b>
<b>Total</b>		<b>199.0</b>



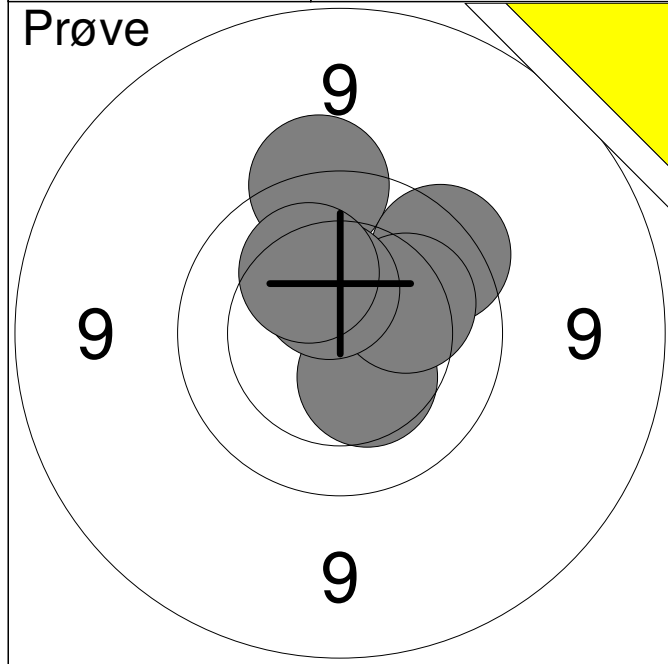
1:	10.2	↘
2:	9.6	↗
3:	10.0	↘
4:	9.9	↘
5:	10.3	↗
6:	10.4	↗
7:	9.8	↗
8:	9.9	→
9:	10.2	↖
<b>Serie</b>		<b>86.0</b>
<b>Total</b>		<b>0.0</b>



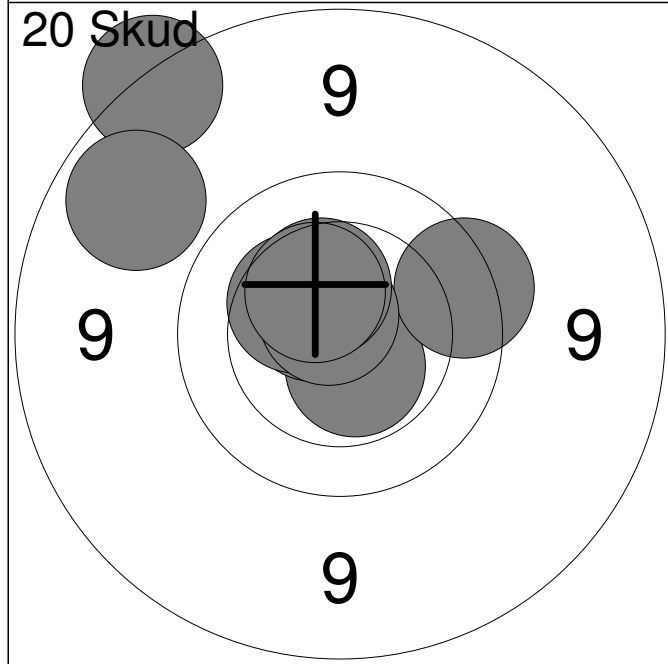
1:	9.9	↖
2:	9.7	↘
3:	9.8	→
4:	10.7x	↘
5:	10.2	↗
6:	10.6x	↖
7:	10.1	↖
8:	10.5x	←
9:	10.0	←
10:	10.1	→
<b>Serie</b>		<b>97.0</b>
<b>Total</b>		<b>97.0</b>



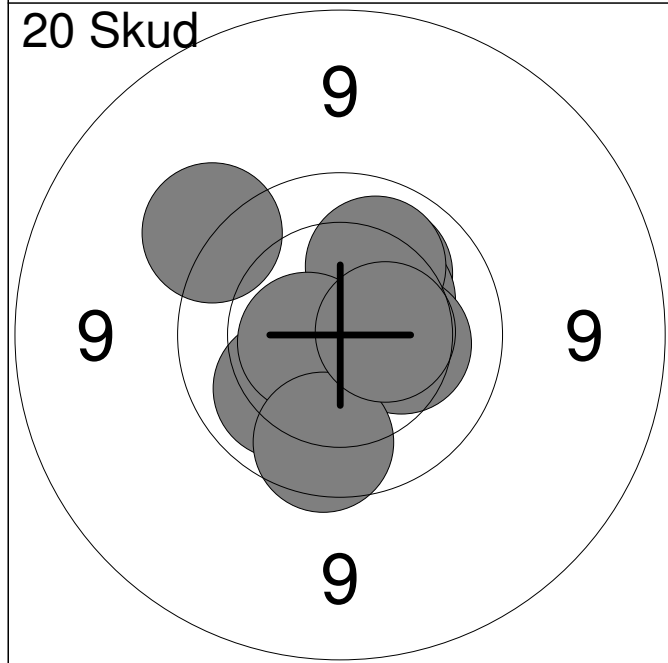
11:	10.1	→
12:	10.5x	↖
13:	10.5x	↘
14:	10.3	↘
15:	9.3	↘
16:	10.2	→
17:	10.2	→
18:	9.9	↖
19:	10.3	↑
20:	10.8x	↘
<b>Serie</b>		<b>98.0</b>
<b>Total</b>		<b>195.0</b>



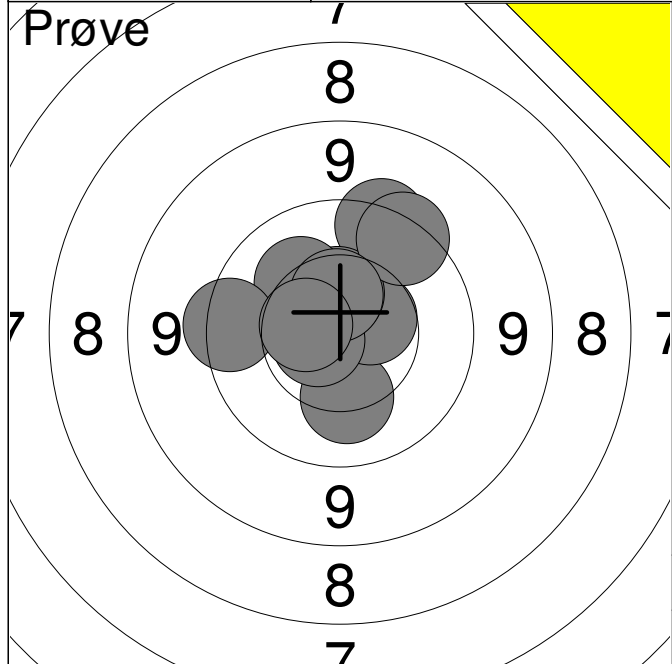
1:	9.6	↑
2:	9.7	↗
3:	10.4	↘
4:	10.2	→
5:	10.5	↑
6:	10.2	↑
<b>Serie</b>		<b>58.0</b>
<b>Total</b>		<b>0.0</b>



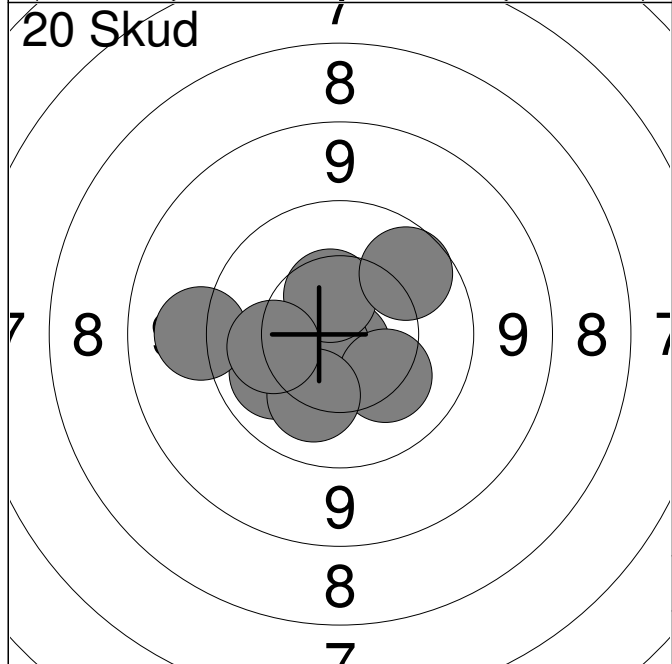
1:	10.6x	↘
2:	10.6x	↗
3:	10.5x	↗
4:	8.7	↗
5:	10.4	↗
6:	9.7	→
7:	10.7x	↗
8:	9.0	↗
9:	10.4	↗
10:	10.4	↗
<b>Serie</b>		<b>96.0</b>
<b>Total</b>		<b>96.0</b>



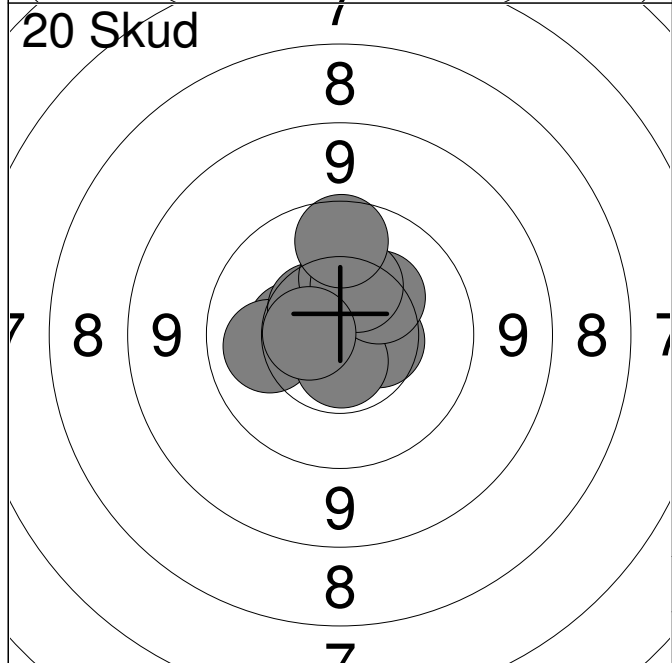
11:	10.1	↗
12:	9.5	↗
13:	10.3	↗
14:	10.3	→
15:	10.4	↘
16:	10.1	↗
17:	10.1	↘
18:	10.6x	←
19:	9.9	↘
20:	10.5	→
<b>Serie</b>		<b>98.0</b>
<b>Total</b>		<b>194.0</b>



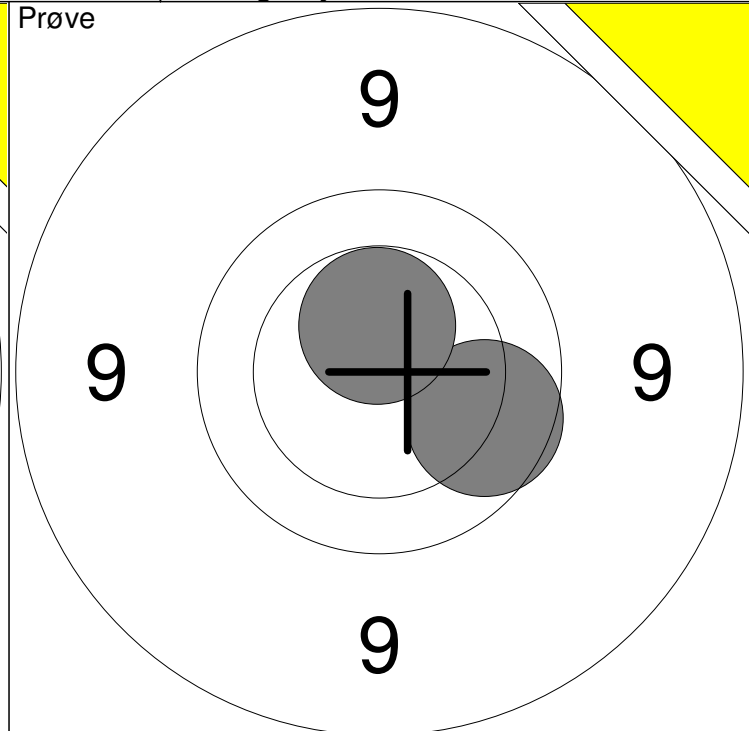
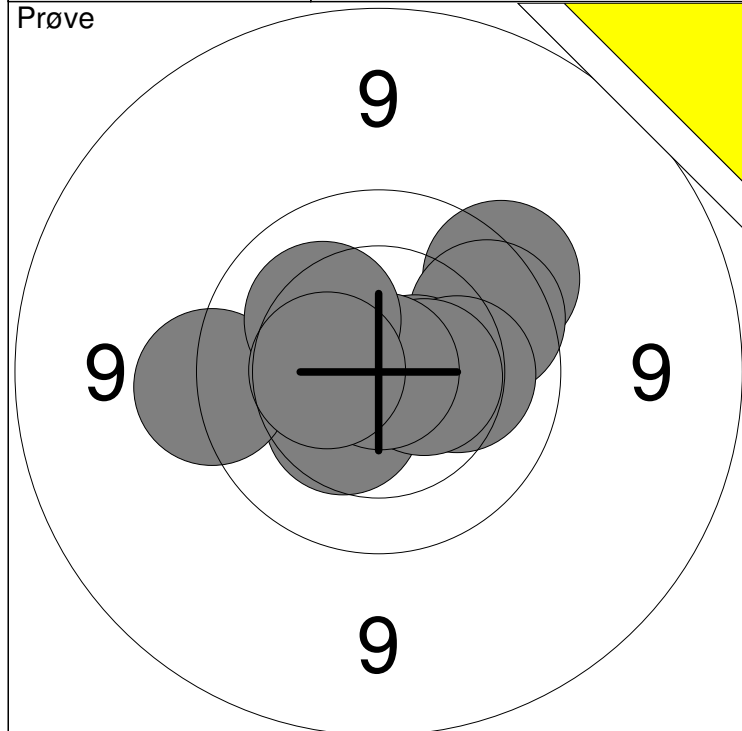
1:	10.2	↓
2:	10.6	↗
3:	9.6	↗
4:	10.5	↑
5:	9.6	↗
6:	10.7x	←
7:	10.2	↗
8:	10.5	↑
9:	9.6	←
10:	10.5	←
<b>Serie</b>		<b>97.0</b>
<b>Total</b>		<b>0.0</b>



1:	10.1	←
2:	9.3	←
3:	10.8x	↓
4:	10.4	←
5:	10.7x	←
6:	10.2	↓
7:	10.2	↓
8:	10.5	↑
9:	9.9	↗
10:	10.2	←
<b>Serie</b>		<b>98.0</b>
<b>Total</b>		<b>98.0</b>

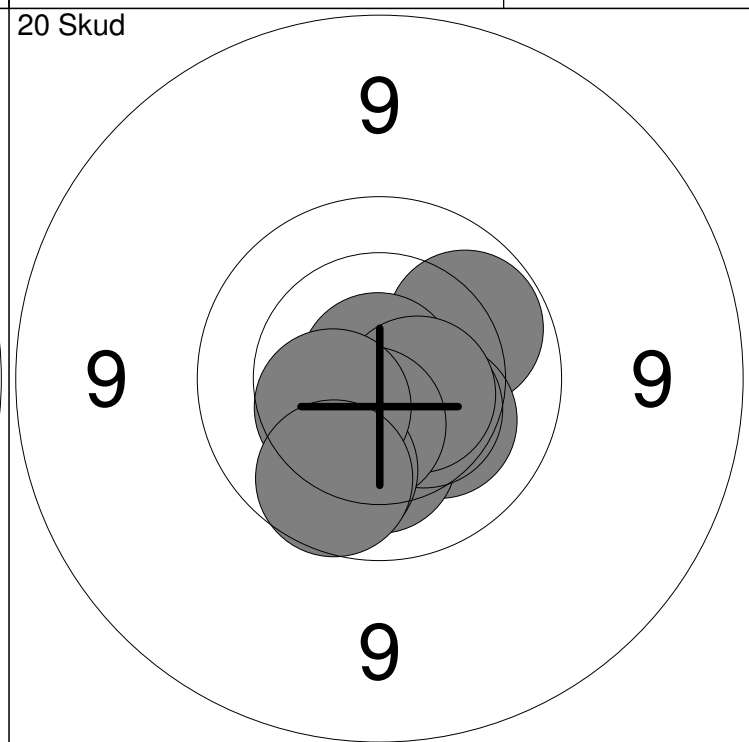
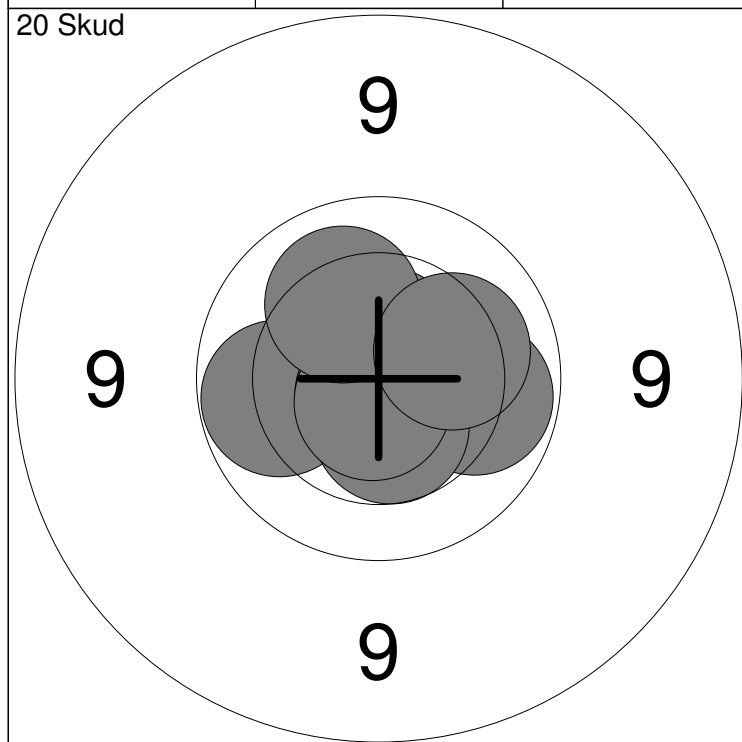


11:	10.4	←
12:	10.1	←
13:	10.5	↗
14:	10.5	→
15:	10.6x	↓
16:	10.3	↗
17:	10.3	↑
18:	10.3	↑
19:	9.9	↑
20:	10.6x	←
<b>Serie</b>		<b>99.0</b>
<b>Total</b>		<b>197.0</b>



1: 10.4 ↙	6: 10.5x →	Serie	97
2: 9.7 ↗	7: 10.9x →		
3: 9.9 ↗	8: 9.6 ←	Total	0
4: 10.6x →	9: 10.2 ↗		
5: 10.2 →	10: 10.4 ←		

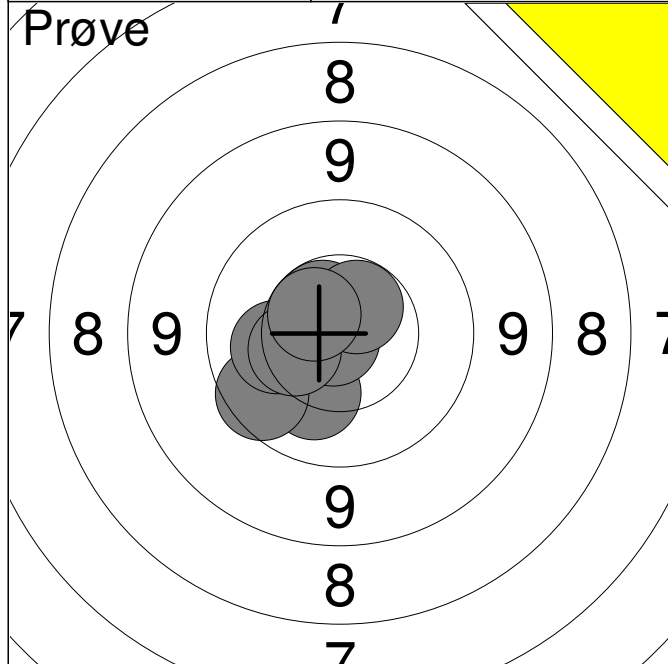
11: 9.9 →	Serie	19
12: 10.5x ↑		
Total		0



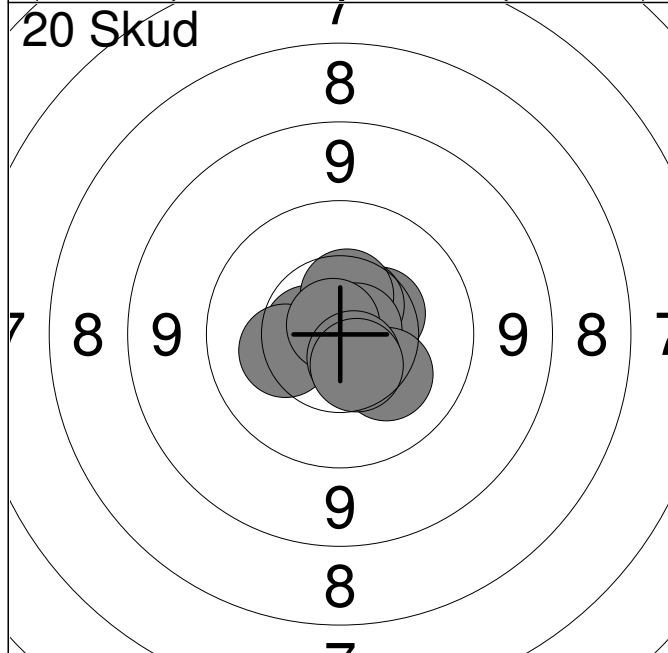
1: 10.8x ↗	6: 10.6x ↑	Serie	100
2: 10.0 ←	7: 10.5 ↓		
3: 10.7x ↓	8: 10.7x ↓	Total	100
4: 10.0 →	9: 10.2 ↗		
5: 10.8x ↓	10: 10.2 →		

11: 10.0 ↗	16: 10.6x →	Serie	99
12: 10.3 →	17: 10.5x ↓		
13: 10.2 ↓	18: 10.0 ↓	Total	199
14: 10.4 →	19: 10.4 ←		
15: 10.9x ↑	20: 9.9 ↓		

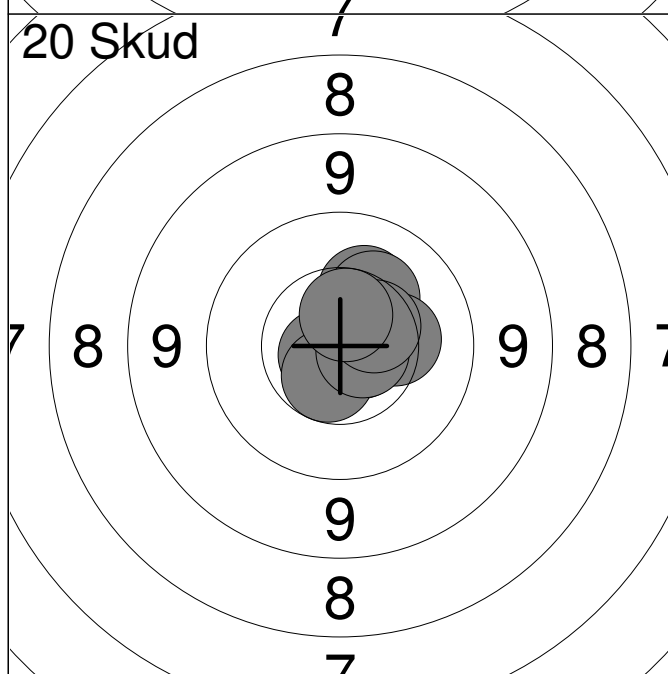




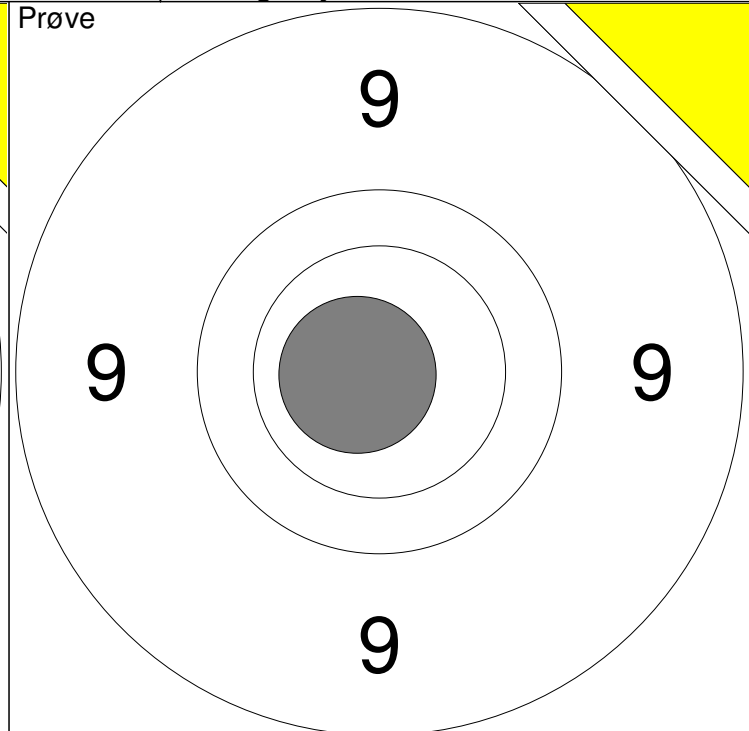
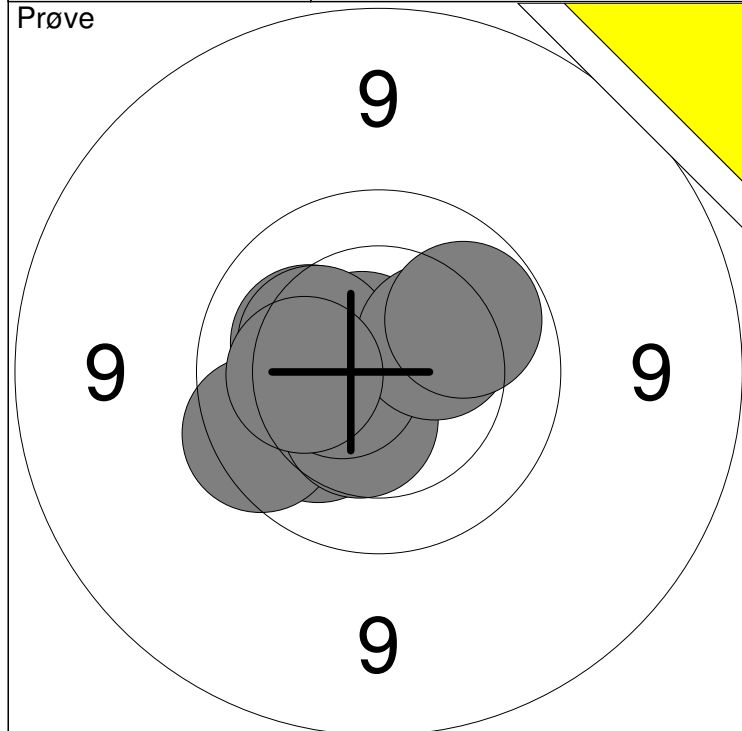
1:	10.2	↘
2:	9.8	↙
3:	10.8x	↙
4:	10.2	←
5:	10.4	↙
6:	10.6	↗
7:	10.6x	↗
8:	10.6	↗
<b>Serie</b>		<b>79.0</b>
<b>Total</b>		<b>0.0</b>



1:	10.4	↗
2:	10.6	↗
3:	10.6x	←
4:	10.3	←
5:	10.5	↑
6:	10.8x	→
7:	10.8x	↗
8:	10.2	↘
9:	10.6x	↘
10:	10.5	↘
<b>Serie</b>		<b>100.0</b>
<b>Total</b>		<b>100.0</b>

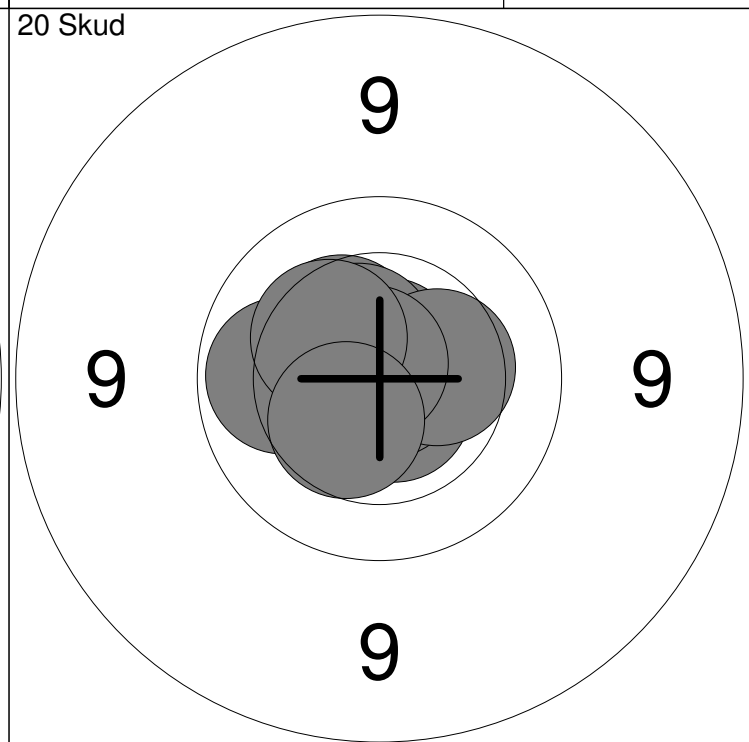
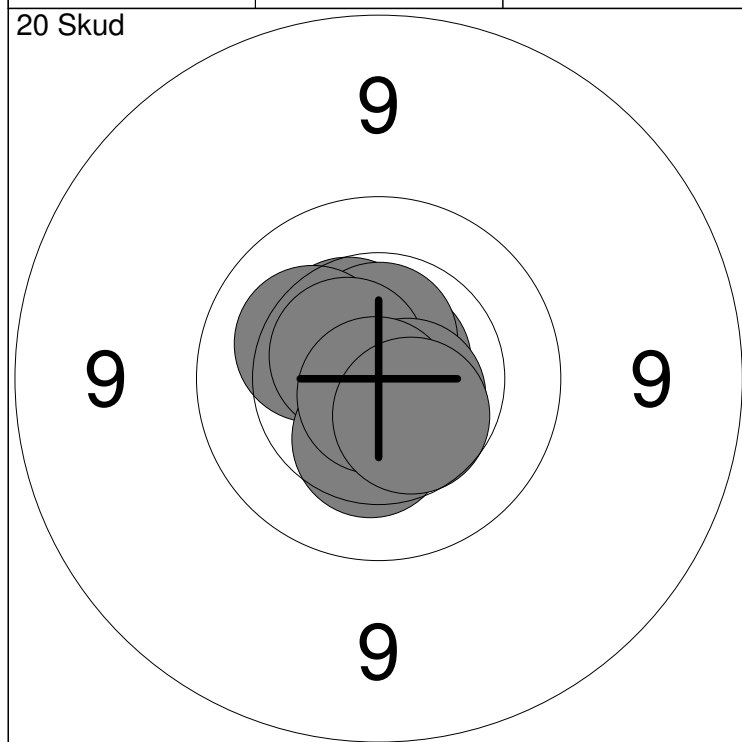


11:	10.7x	→
12:	10.7x	↙
13:	10.7x	→
14:	10.3	↗
15:	10.3	↗
16:	10.3	→
17:	10.6	↘
18:	10.7x	→
19:	10.5	↗
20:	10.6	↑
<b>Serie</b>		<b>100.0</b>
<b>Total</b>		<b>200.0</b>



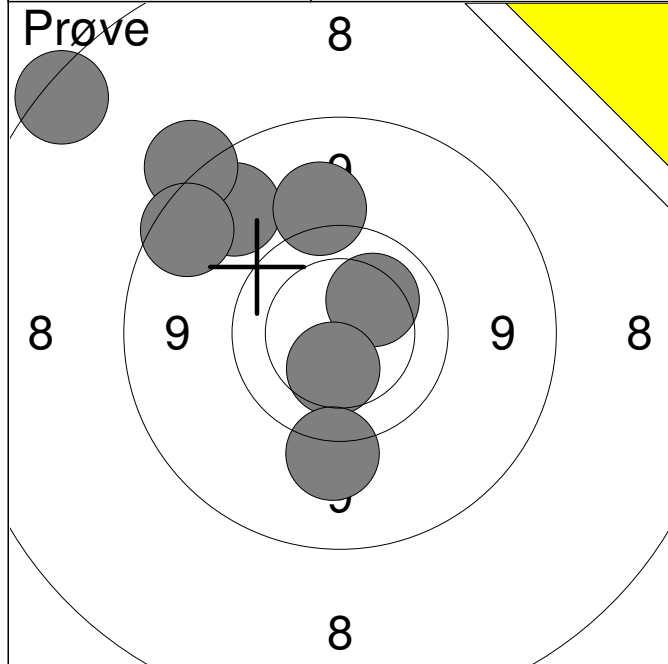
1: 10.2 ↙	6: 10.6x ←	<b>Serie</b> 99	
2: 9.8 ↙	7: 10.3 ↙		
3: 10.5 ↓	8: 10.3 ↗	<b>Total</b> 0	
4: 10.7x ↗	9: 10.0 ↗		
5: 10.2 ↖	10: 10.2 ←		

11: 10.7x ←	<b>Serie</b> 10	
	<b>Total</b> 0	

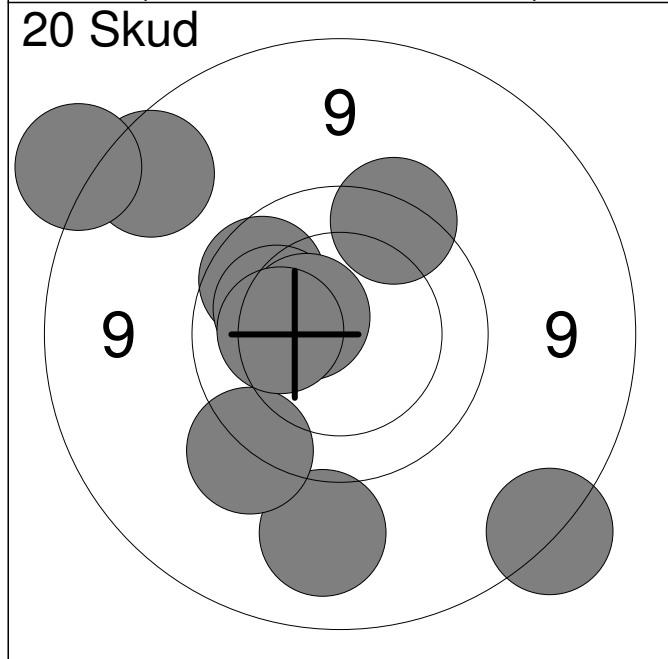


1: 10.8x ↓	6: 10.6x ↗	<b>Serie</b> 100	
2: 10.7x ↗	7: 10.6x ↓		
3: 10.4 ↗	8: 10.4 ↓	<b>Total</b> 100	
4: 10.6x ↑	9: 10.8x ↓		
5: 10.2 ↖	10: 10.5 ↓		

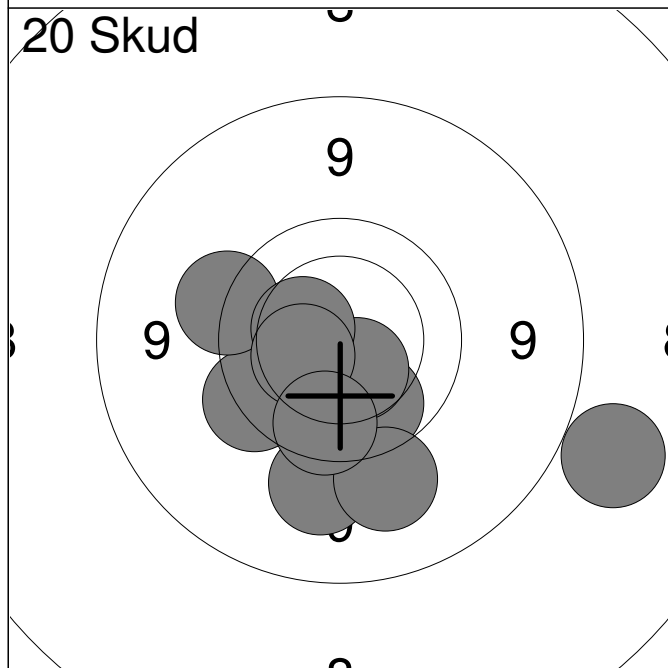
11: 10.4 ↗	16: 10.5x ↗	<b>Serie</b> 100	
12: 10.7x ↓	17: 10.4 →		
13: 10.0 ←	18: 10.8x ↗	<b>Total</b> 200	
14: 10.7x ↑	19: 10.3 ↖		
15: 10.9x →	20: 10.4 ↓		



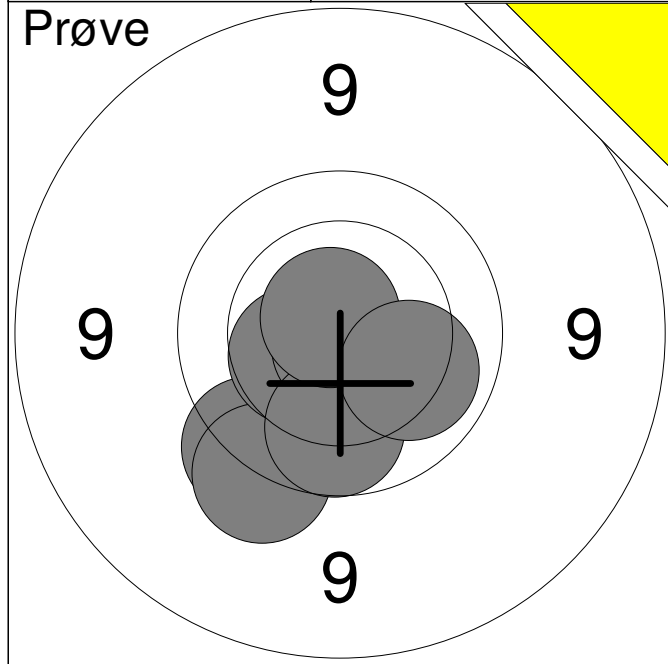
1:	9.0	↗
2:	7.8	↗
3:	8.6	↗
4:	9.3	↑
5:	10.2	↗
6:	10.4	↓
7:	8.9	↗
8:	9.4	↓
<b>Serie</b>		<b>70.0</b>
<b>Total</b>		<b>0.0</b>



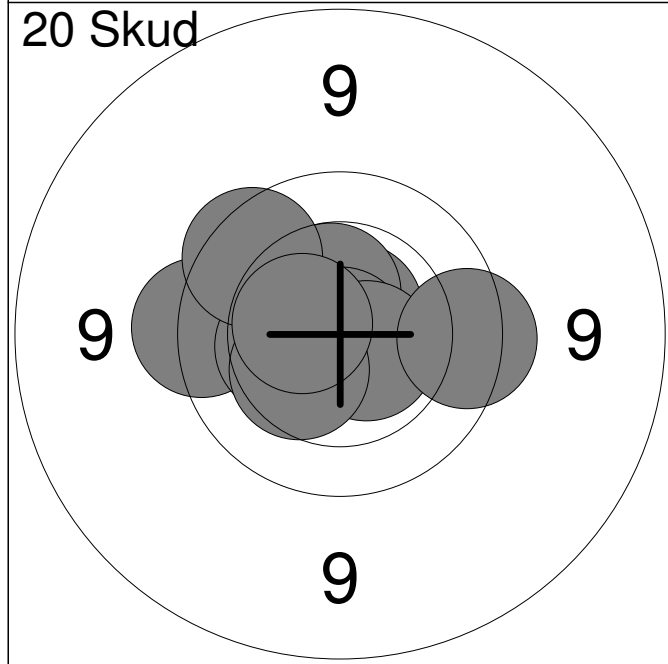
1:	9.9	↗
2:	8.7	↓
3:	9.2	↓
4:	10.1	↗
5:	9.5	↘
6:	10.5x	↗
7:	10.2	←
8:	9.7	↗
9:	8.9	↗
10:	8.6	↗
<b>Serie</b>		<b>90.0</b>
<b>Total</b>		<b>90.0</b>



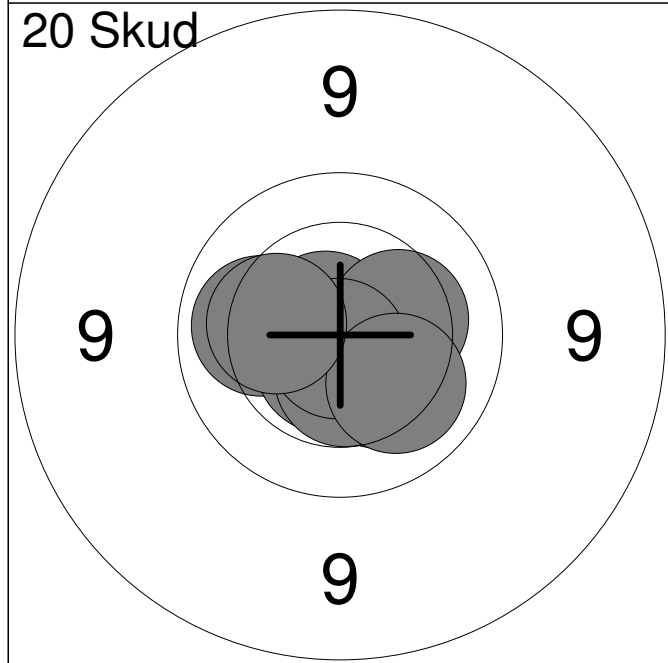
11:	9.9	↓
12:	10.5	↓
13:	9.7	↖
14:	9.5	↗
15:	10.4	↗
16:	9.3	↓
17:	9.3	↓
18:	10.4	↖
19:	9.8	↓
20:	8.4	↘
<b>Serie</b>		<b>92.0</b>
<b>Total</b>		<b>182.0</b>



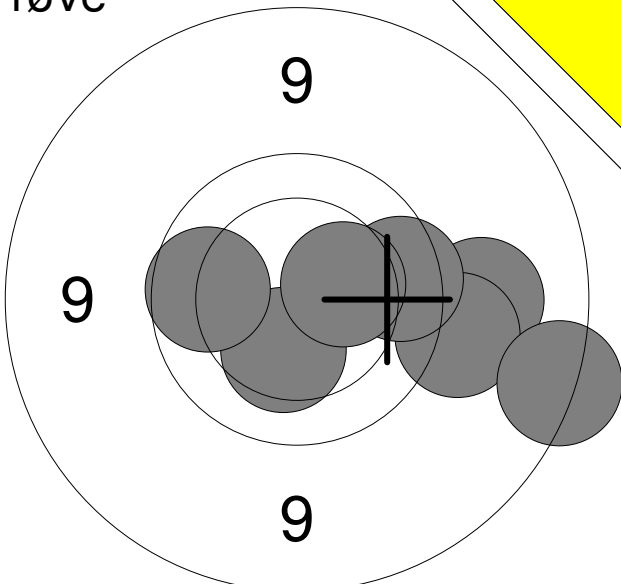
1:	9.6	↙
2:	9.5	↙
3:	10.4	↙
4:	10.8x	↓
5:	9.9	↓
6:	10.7x	↗
7:	10.1	↘
<b>Serie</b>		<b>67.0</b>
<b>Total</b>		<b>0.0</b>

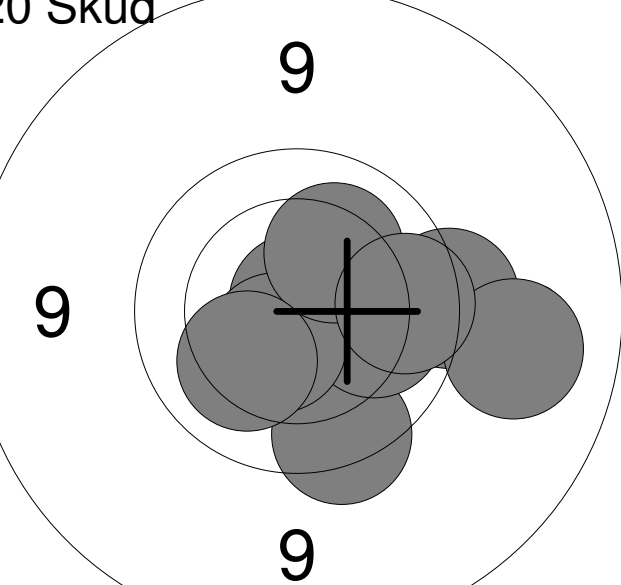


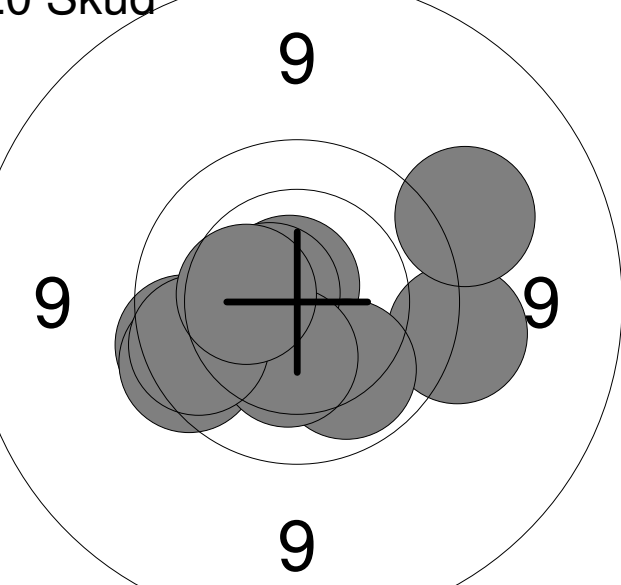
1:	9.7	←
2:	10.7x	↗
3:	10.5x	↗
4:	10.9x	↓
5:	10.3	←
6:	9.8	↗
7:	10.6x	↘
8:	9.7	→
9:	10.4	↙
10:	10.5x	←
<b>Serie</b>		<b>97.0</b>
<b>Total</b>		<b>97.0</b>

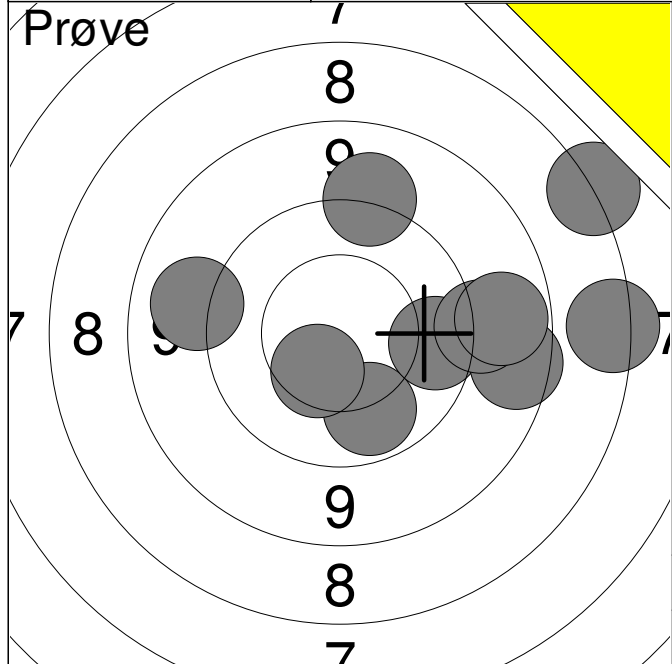


11:	10.6x	↘
12:	10.1	←
13:	10.6x	↙
14:	10.3	↘
15:	10.7x	↗
16:	10.5x	↓
17:	10.3	→
18:	10.8x	↓
19:	10.2	↘
20:	10.3	←
<b>Serie</b>		<b>100.0</b>
<b>Total</b>		<b>197.0</b>

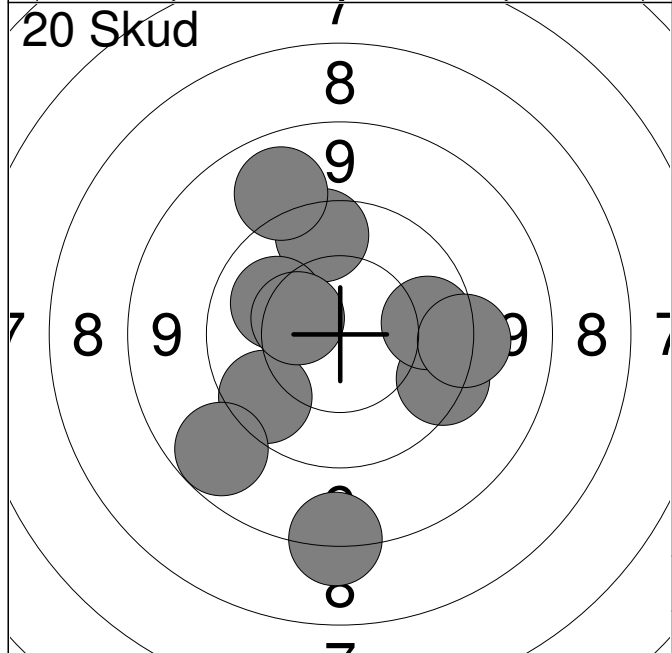
<b>Prøve</b> 	1: 10.3	↓
	2: 9.3	→
	3: 9.4	→
	4: 8.7	→
	5: 9.8	→
	6: 9.9	←
	7: 10.4	→
<b>Serie</b>	<b>64.0</b>	
<b>Total</b>	<b>0.0</b>	

<b>20 Skud</b> 	1: 10.9x	↑
	2: 10.3	↓
	3: 9.7	↓
	4: 9.6	→
	5: 10.1	→
	6: 9.2	→
	7: 10.5x	↓
	8: 10.2	↑
	9: 10.2	↓
	10: 9.9	→
<b>Serie</b>	<b>96.0</b>	
<b>Total</b>	<b>96.0</b>	

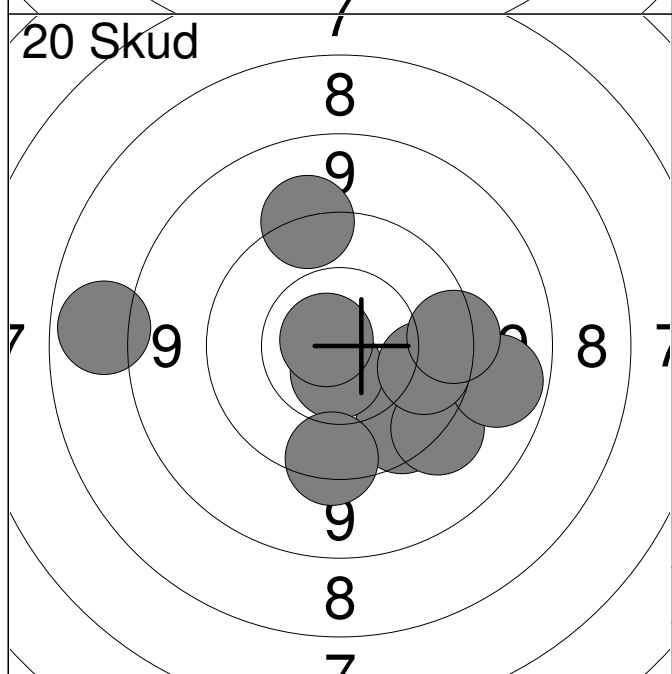
<b>20 Skud</b> 	11: 10.8x	↑
	12: 9.5	→
	13: 9.8	←
	14: 9.8	←
	15: 10.1	↓
	16: 10.6x	↑
	17: 9.4	→
	18: 10.3	↓
	19: 9.9	←
	20: 10.4	←
<b>Serie</b>	<b>95.0</b>	
<b>Total</b>	<b>191.0</b>	



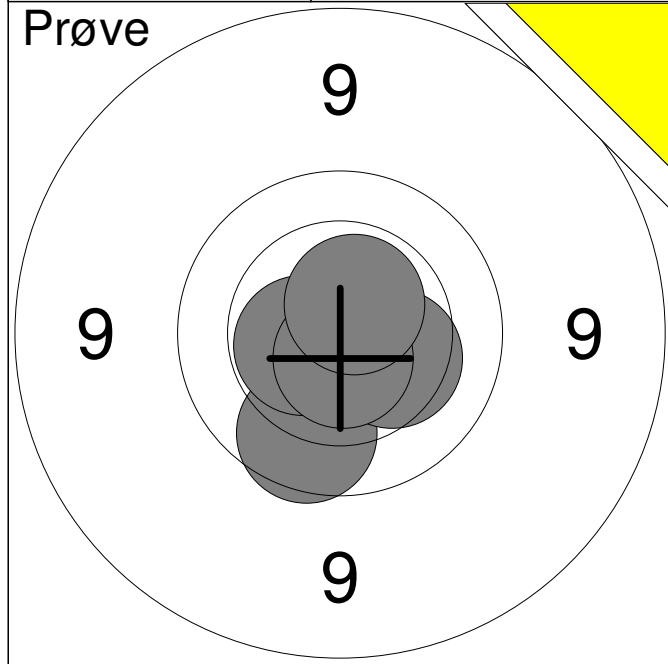
1:	10.0	↘
2:	9.8	→
3:	8.8	→
4:	9.2	←
5:	9.3	→
6:	7.6	→
7:	9.3	↑
8:	7.3	↗
9:	9.0	→
10:	10.4	↙
<b>Serie</b>		<b>87.0</b>
<b>Total</b>		<b>0.0</b>



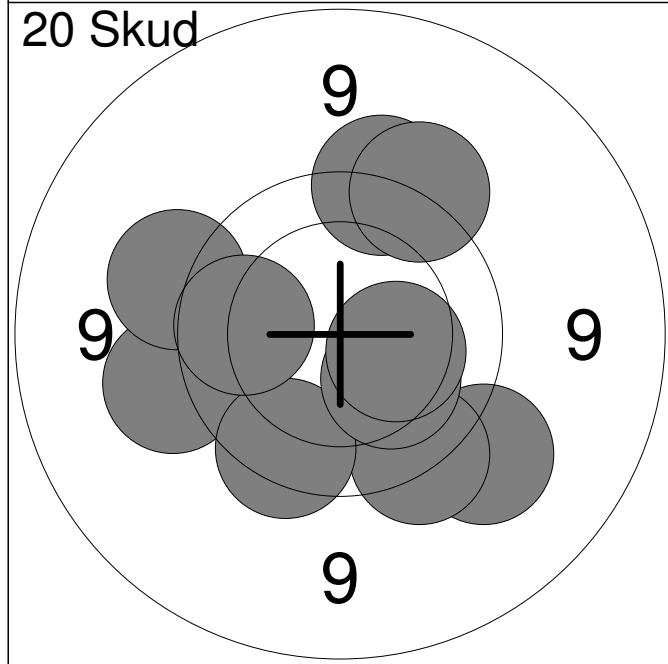
1:	9.8	↑
2:	9.8	↙
3:	9.6	→
4:	9.9	→
5:	8.4	↓
6:	8.9	↙
7:	9.1	↑
8:	10.1	↗
9:	9.5	→
10:	10.4	↖
<b>Serie</b>		<b>90.0</b>
<b>Total</b>		<b>90.0</b>



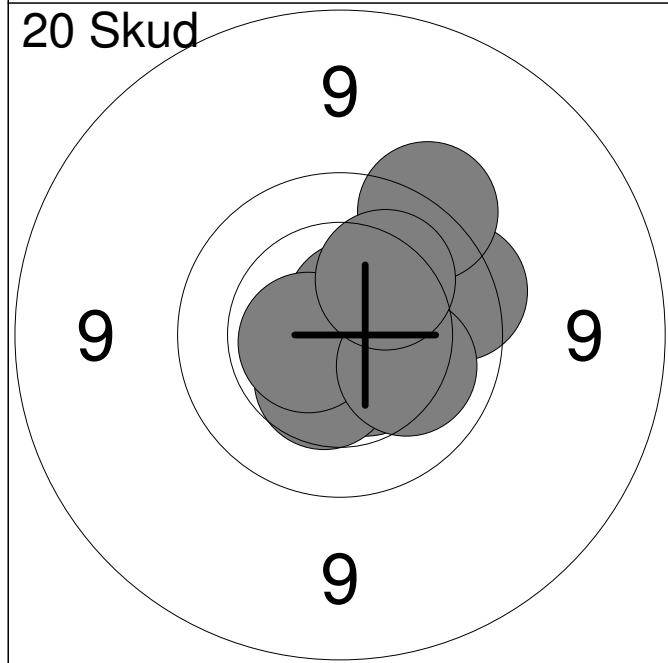
11:	9.7	↘
12:	10.6x	↓
13:	9.4	↘
14:	9.0	→
15:	9.9	→
16:	9.6	→
17:	8.0	←
18:	10.8x	↖
19:	9.6	↓
20:	9.4	↑
<b>Serie</b>		<b>91.0</b>
<b>Total</b>		<b>181.0</b>



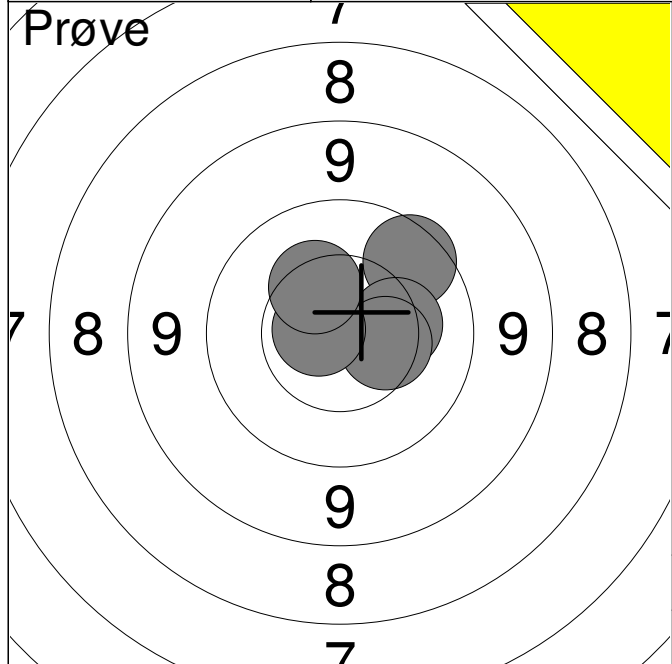
1:	9.9	↘
2:	10.5x	←
3:	10.3	→
4:	10.7x	↘
5:	10.6x	↗
<b>Serie</b>		<b>49.0</b>
<b>Total</b>		<b>0.0</b>



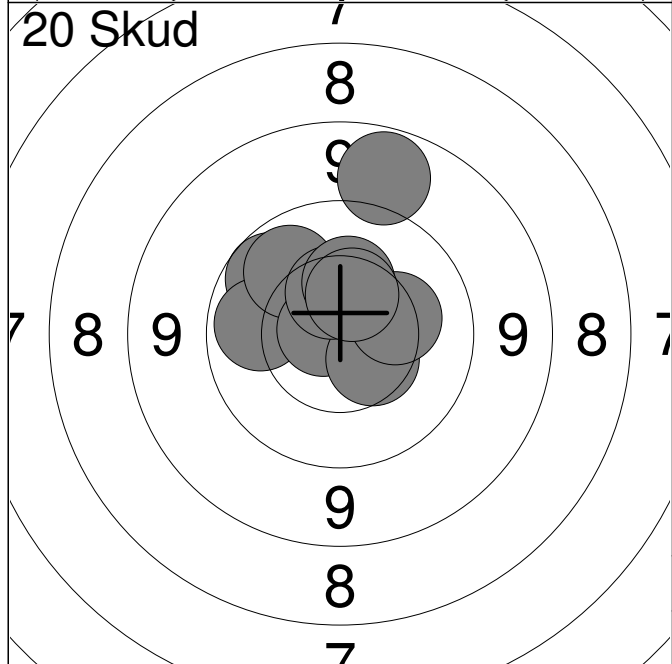
1:	9.4	←
2:	9.4	↘
3:	9.6	↘
4:	9.7	↘
5:	9.6	↗
6:	10.2	↘
7:	9.5	↗
8:	9.5	←
9:	10.3	→
10:	9.9	←
<b>Serie</b>		<b>92.0</b>
<b>Total</b>		<b>92.0</b>



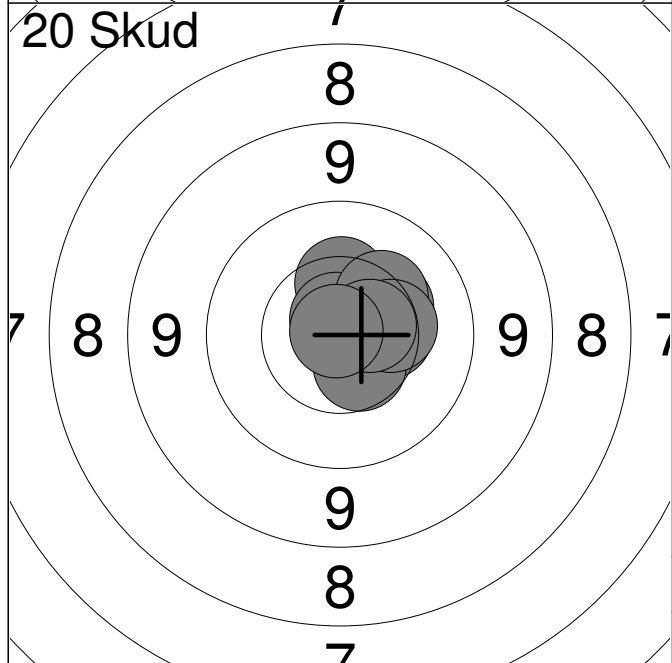
11:	10.5x	↘
12:	10.2	→
13:	10.4	↘
14:	10.6x	↗
15:	10.3	→
16:	9.7	→
17:	9.6	↗
18:	10.6x	←
19:	10.2	→
20:	10.2	↗
<b>Serie</b>		<b>98.0</b>
<b>Total</b>		<b>190.0</b>



1:	9.8	↗
2:	10.3	→
3:	10.4	→
4:	10.7x	←
5:	10.3	↗
<b>Serie</b>		<b>49.0</b>
<b>Total</b>		<b>0.0</b>

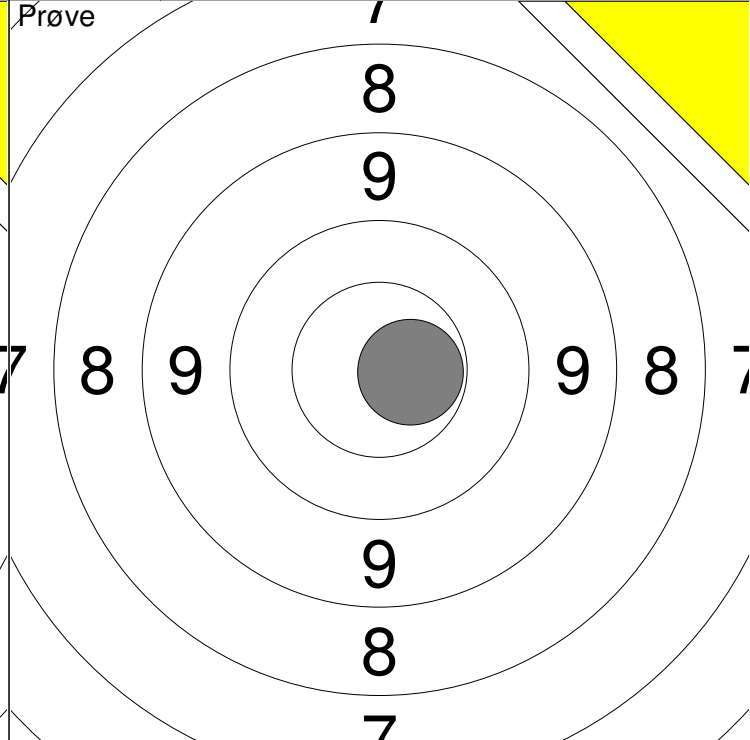
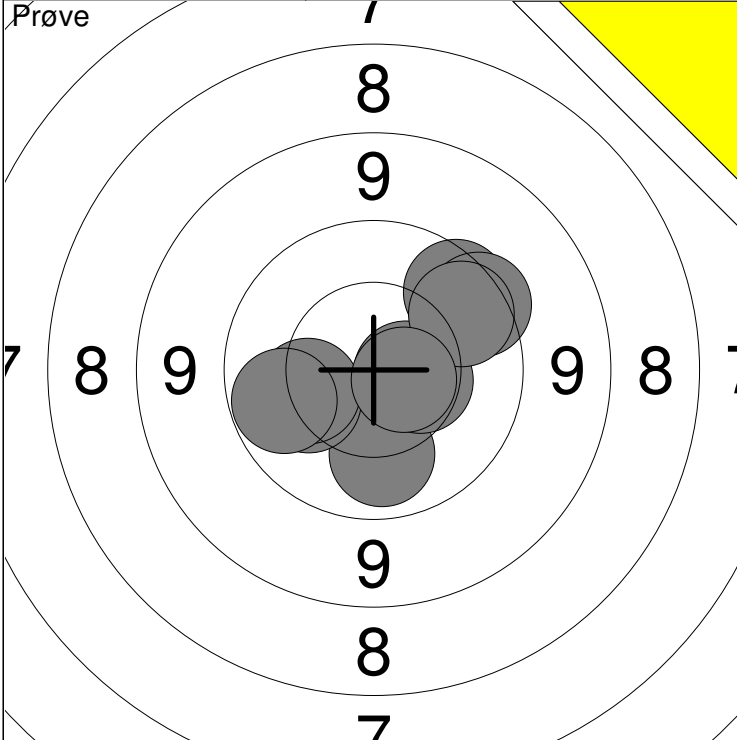


1:	9.9	↗
2:	10.0	←
3:	10.0	↗
4:	10.8x	←
5:	10.5	↘
6:	10.5	↑
7:	10.3	→
8:	9.0	↑
9:	10.3	↑
10:	10.5	↑
<b>Serie</b>		<b>98.0</b>
<b>Total</b>		<b>98.0</b>



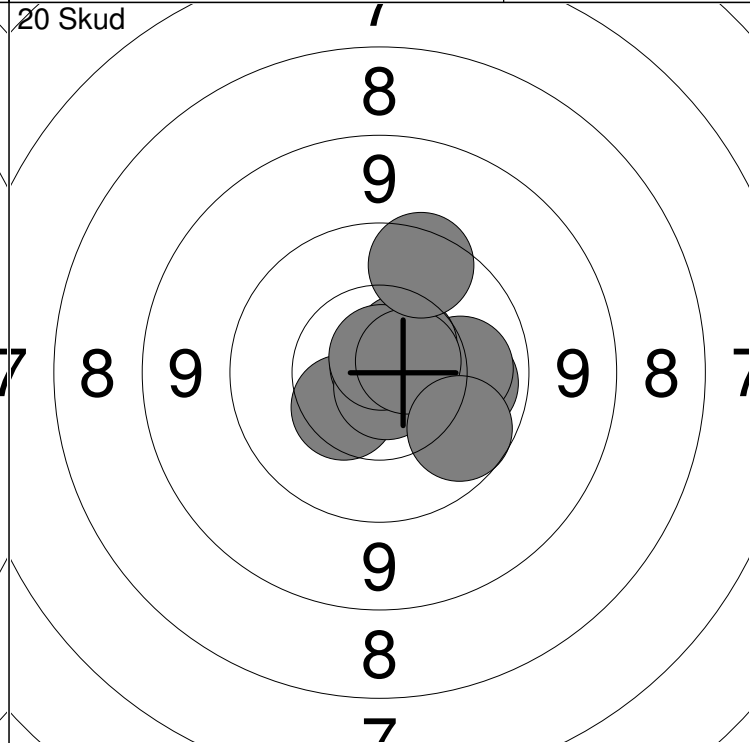
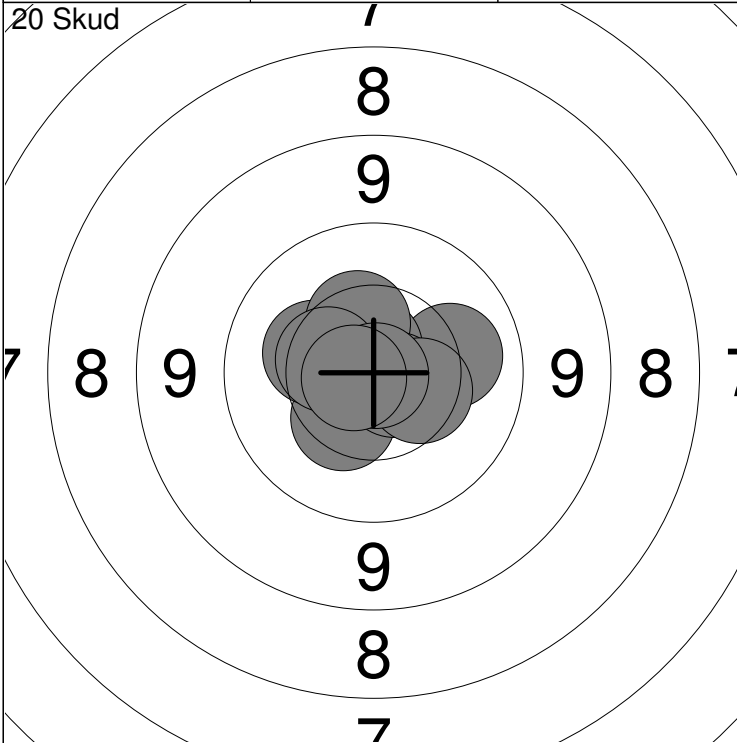
11:	10.3	↗
12:	10.4	↑
13:	10.8x	↑
14:	10.8x	→
15:	10.3	↗
16:	10.4	→
17:	10.5	↘
18:	10.4	→
19:	10.6x	→
20:	10.9x	↖
<b>Serie</b>		<b>100.0</b>
<b>Total</b>		<b>198.0</b>





1: 9.8 ↗	6: 9.9 ↗	Serie	97
2: 9.6 ↗	7: 10.2 ↙		
3: 10.1 ↓	8: 10.2 ↙	Total	0
4: 10.6x →	9: 10.0 ↙		
5: 10.5 →	10: 10.6x →		

11: 10.6x →	Serie	10
	Total	0



1: 10.4 ↙	6: 10.5 ↙	Serie	100
2: 10.1 →	7: 10.7x ↘		
3: 10.3 ↙	8: 10.4 →	Total	100
4: 10.7x ↑	9: 10.9x ↘		
5: 10.4 ↑	10: 10.7x ↙		

11: 10.4 ↙	16: 10.6 ↗	Serie	98
12: 10.9x ↑	17: 10.8x ↑		
13: 10.1 →	18: 10.6x →	Total	198
14: 10.1 →	19: 9.9 ↘		
15: 10.8x ↘	20: 9.7 ↑		

Hold 17 Skive 2

# Jonas Brix Kristensen

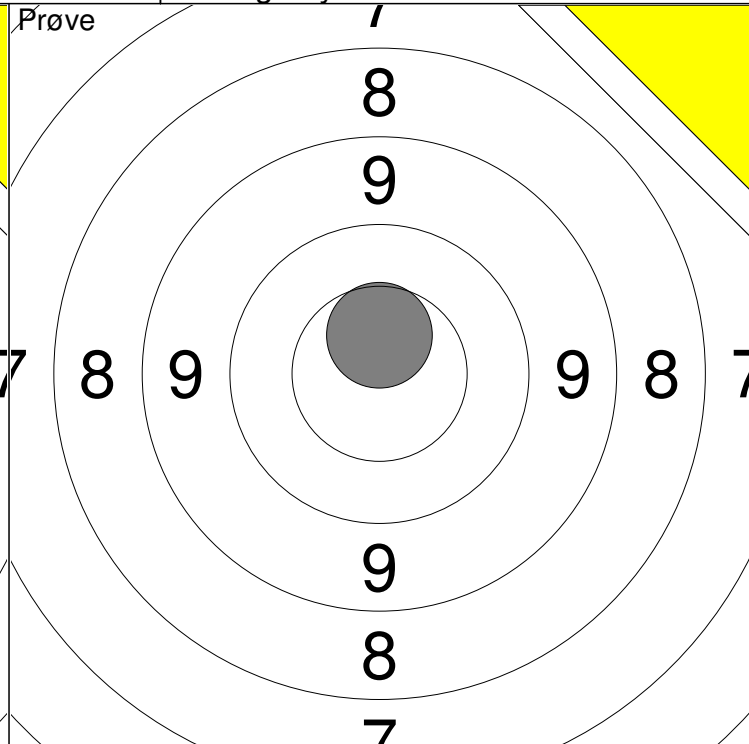
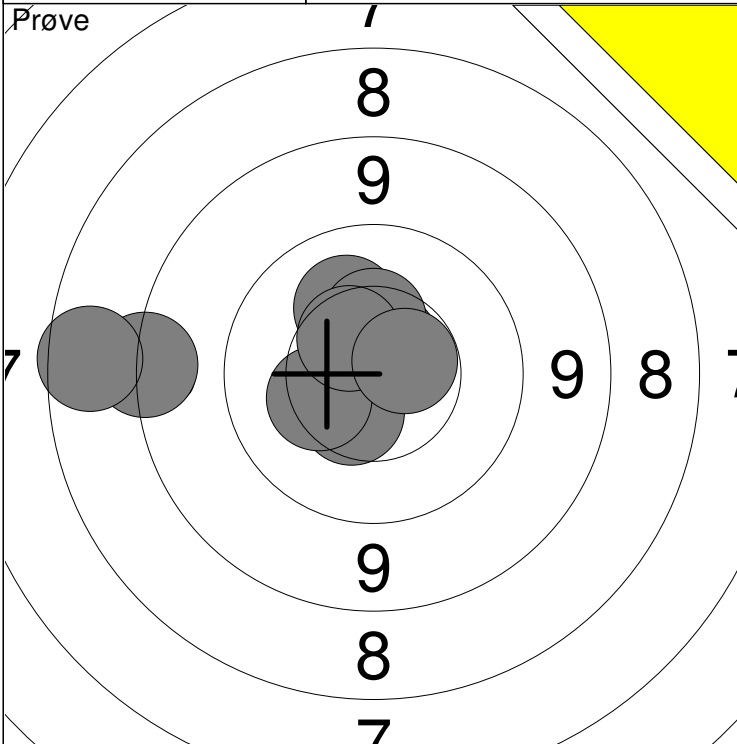
Vesterkæret

Vester Hassing Skf.

J1

15m stævne oktober 2015

Aalborg Skyttekreds

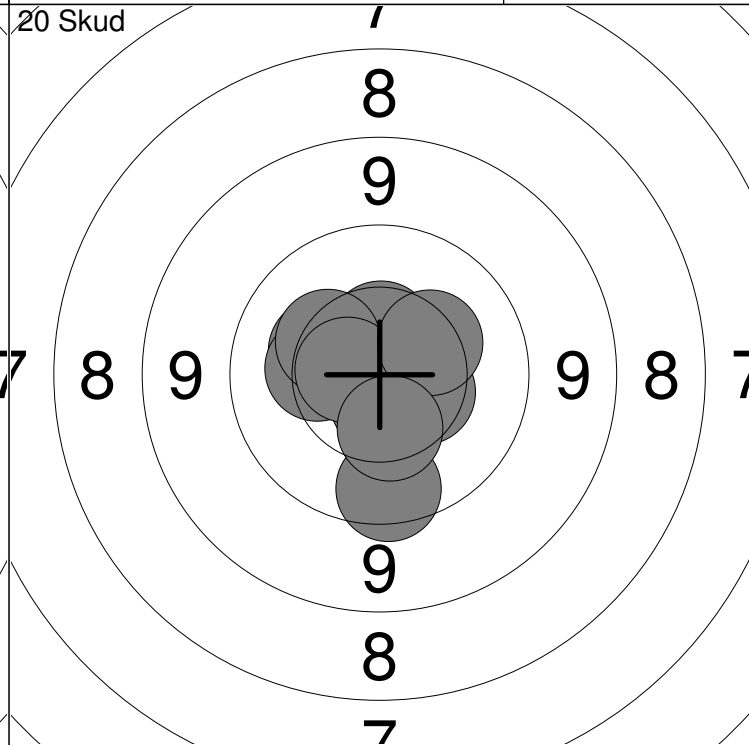
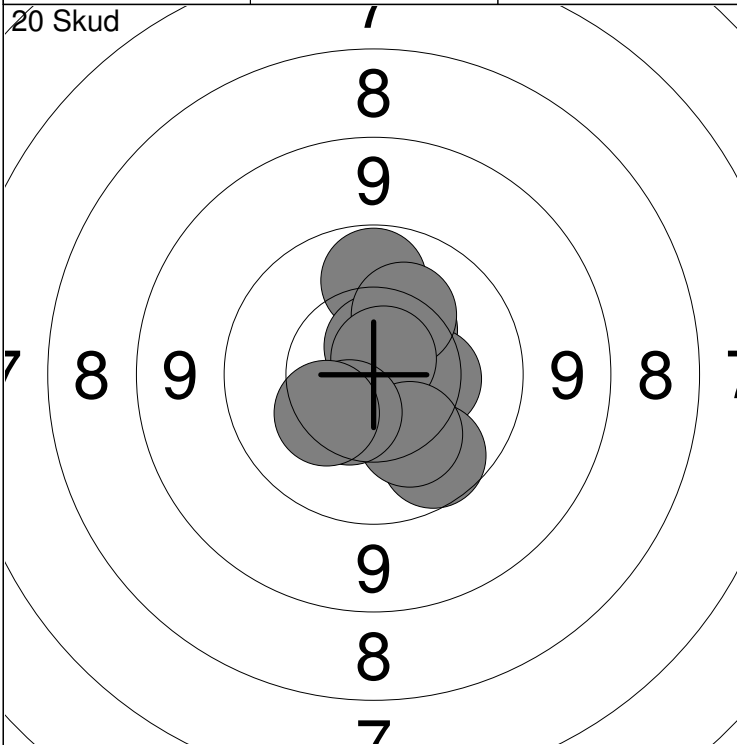


1: 8.5	←	6: 10.5	↙
2: 7.8	←	7: 10.3	←
3: 10.7x	↙	8: 10.4	↑
4: 10.6x	↗	9: 10.5	↖
5: 10.2	↗	10: 10.6x	↘

Serie	95
Total	0

11: 10.6	↑
----------	---

Serie	10
Total	0



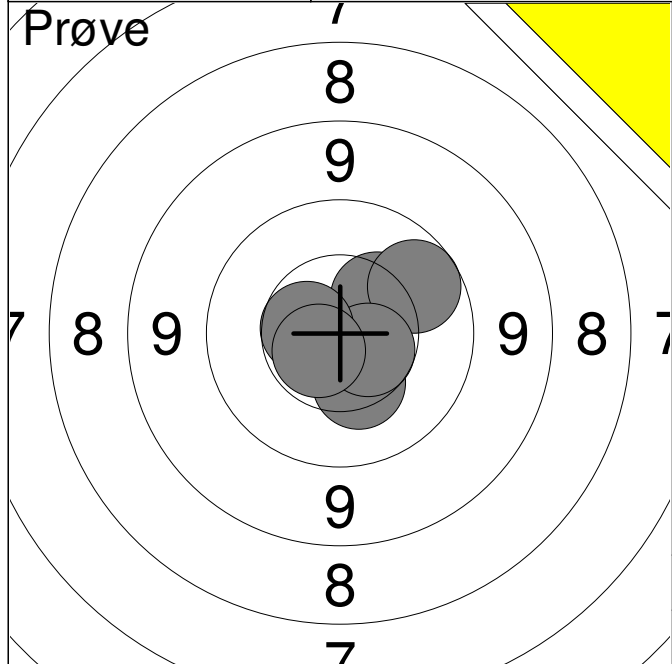
1: 10.0	↑	6: 10.8x	↗
2: 10.4	↗	7: 9.9	↘
3: 10.7x	↑	8: 10.2	↘
4: 10.4	→	9: 10.5	↘
5: 10.3	↗	10: 10.3	↙

Serie	99
Total	99

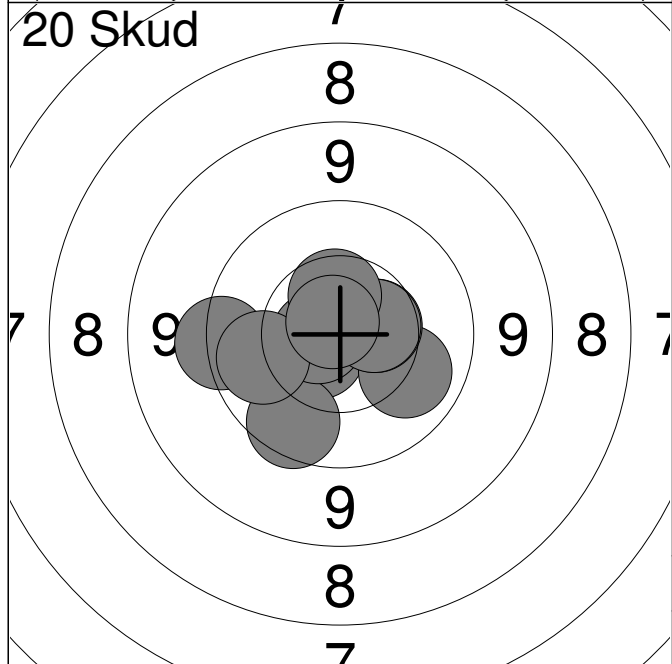
11: 10.7x	↘
12: 9.8	↘
13: 10.3	←
14: 10.5	↑
15: 10.3	←

16: 10.3	↖
17: 10.5	↘
18: 10.6x	←
19: 10.3	↗
20: 10.4	↘

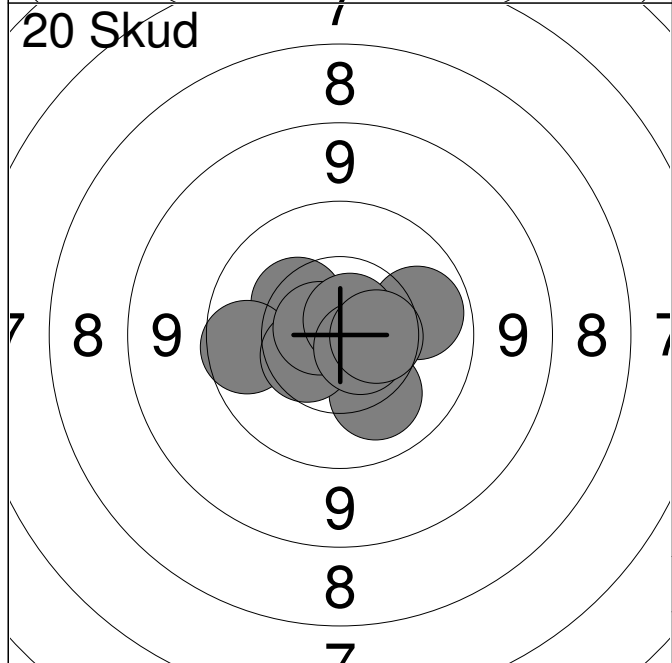
Serie	99
Total	198



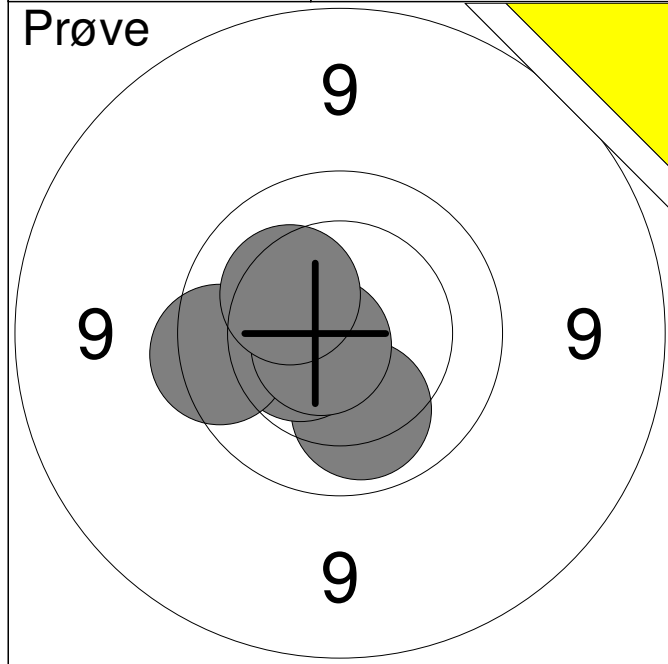
1:	10.4	↗
2:	9.9	↗
3:	10.3	↘
4:	10.6	↘
5:	10.6	←
6:	10.6x	↙
<b>Serie</b>		<b>59.0</b>
<b>Total</b>		<b>0.0</b>



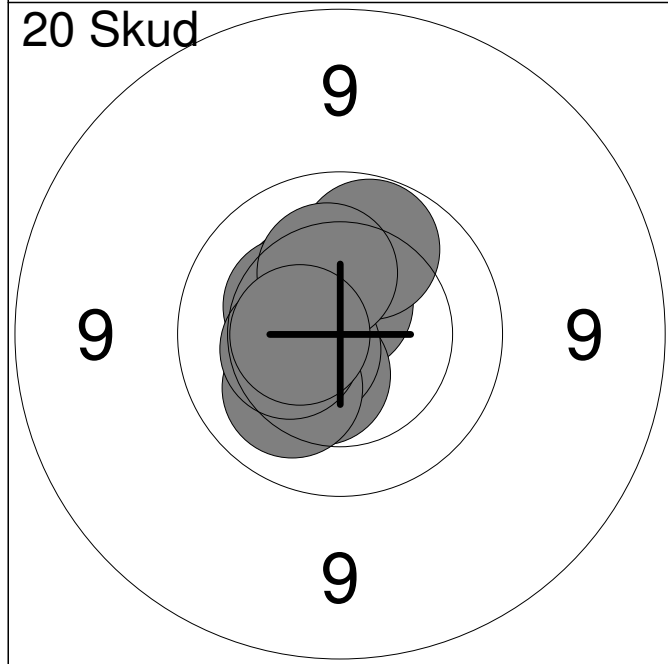
1:	10.6x	↙
2:	9.5	←
3:	10.1	↘
4:	9.8	↘
5:	10.7x	←
6:	10.5	→
7:	10.0	←
8:	10.5	→
9:	10.5	↑
10:	10.8x	↗
<b>Serie</b>		<b>98.0</b>
<b>Total</b>		<b>98.0</b>



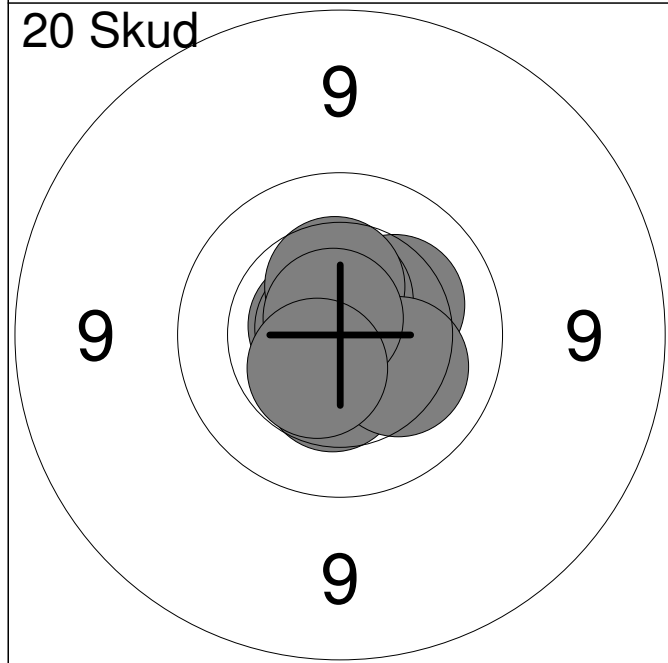
11:	10.8x	↘
12:	10.3	↗
13:	9.9	←
14:	10.0	→
15:	10.2	↘
16:	10.5	↙
17:	10.7x	←
18:	10.7x	↗
19:	10.7x	↘
20:	10.5	→
<b>Serie</b>		<b>99.0</b>
<b>Total</b>		<b>197.0</b>



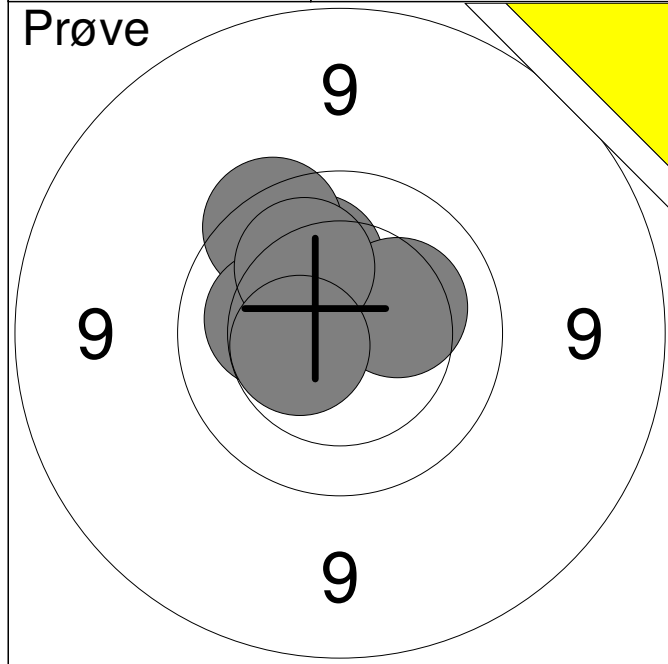
1:	10.1	↓
2:	10.5	↙
3:	9.8	←
4:	10.7x	↙
5:	10.3	↗
<b>Serie</b>		<b>49.0</b>
<b>Total</b>		<b>0.0</b>



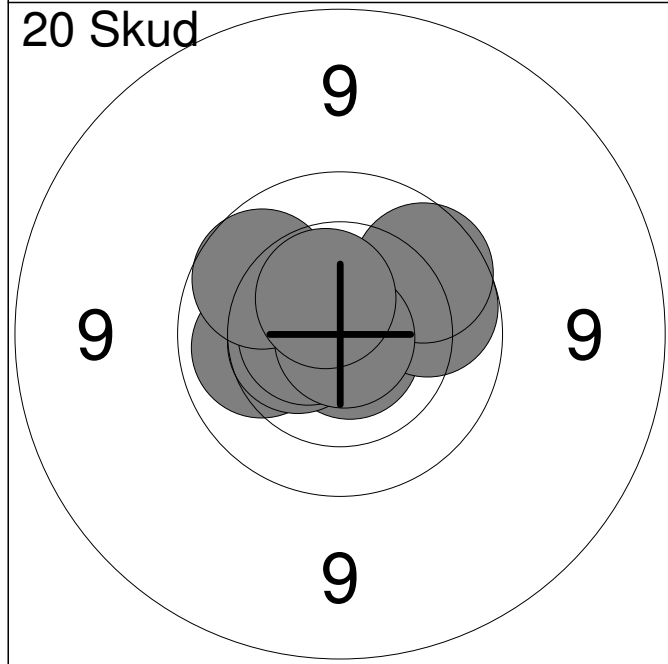
1:	10.6x	↑
2:	10.4	↖
3:	10.0	↑
4:	10.4	↖
5:	10.5	↓
6:	10.6x	↙
7:	10.2	↙
8:	10.3	↑
9:	10.4	←
10:	10.5x	←
<b>Serie</b>		<b>100.0</b>
<b>Total</b>		<b>100.0</b>



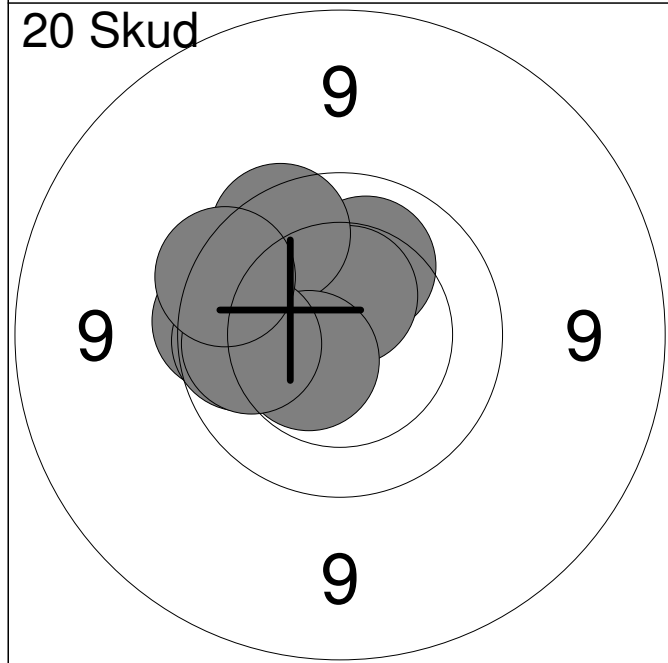
11:	10.7x	↖
12:	10.3	↗
13:	10.6x	↓
14:	10.8x	↖
15:	10.4	↓
16:	10.6x	↑
17:	10.4	↑
18:	10.2	↘
19:	10.8x	↗
20:	10.5x	↙
<b>Serie</b>		<b>100.0</b>
<b>Total</b>		<b>200.0</b>



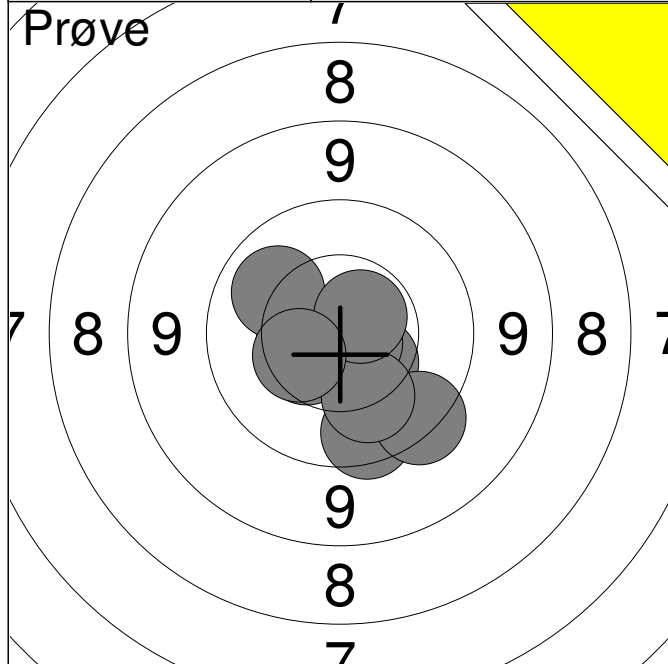
1:	10.2	↑
2:	9.7	↑
3:	10.3	→
4:	10.2	←
5:	10.1	↑
6:	10.5x	←
<b>Serie</b>		<b>59.0</b>
<b>Total</b>		<b>0.0</b>



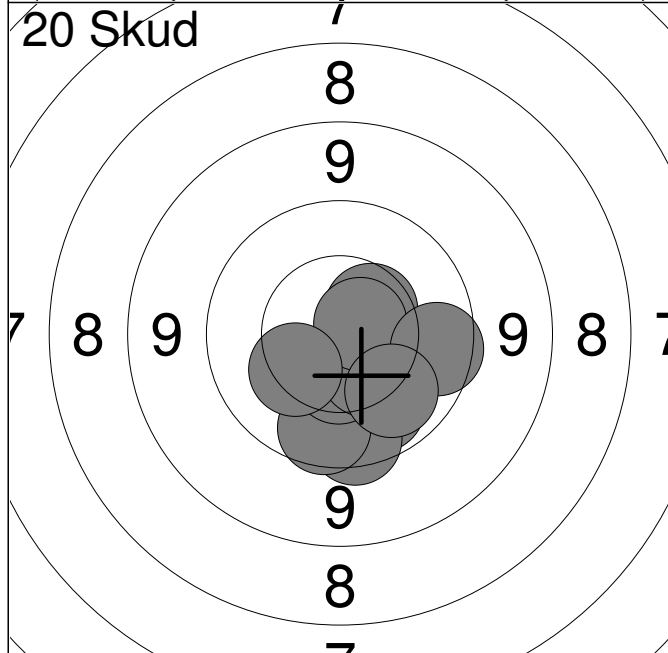
1:	10.1	←
2:	10.6x	←
3:	10.8x	↓
4:	10.0	→
5:	9.9	↗
6:	10.5	←
7:	10.6x	←
8:	10.9x	↓
9:	9.9	↗
10:	10.5x	↑
<b>Serie</b>		<b>98.0</b>
<b>Total</b>		<b>98.0</b>



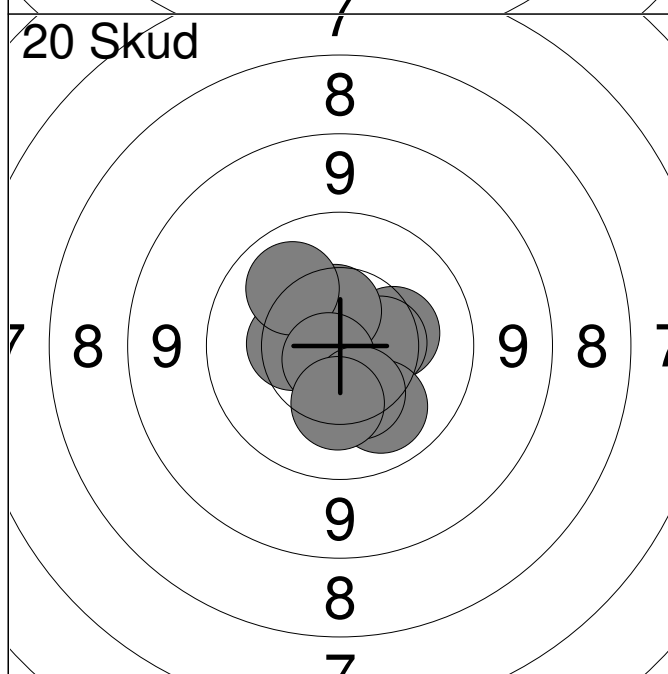
11:	10.3	↗
12:	9.8	←
13:	10.2	↑
14:	10.5x	↑
15:	9.8	↗
16:	10.5x	↙
17:	9.8	←
18:	9.9	←
19:	10.0	←
20:	9.7	↖
<b>Serie</b>		<b>95.0</b>
<b>Total</b>		<b>193.0</b>



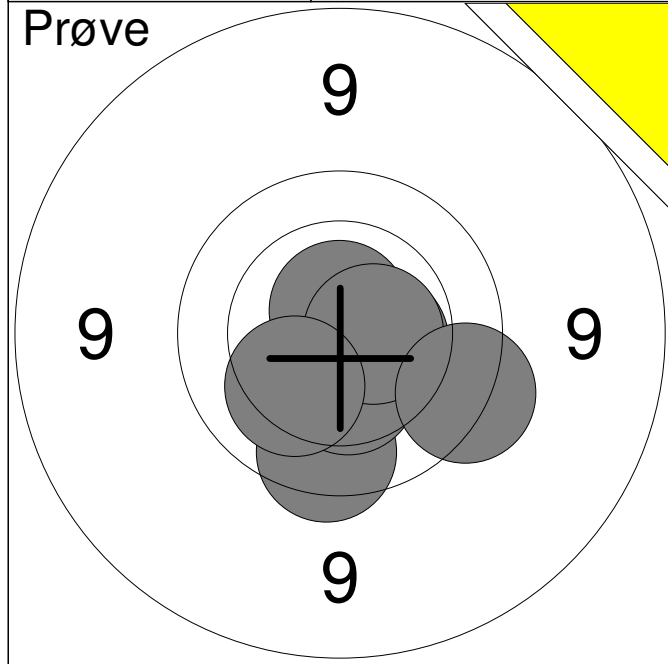
1:	9.7	↓
2:	10.5	↓
3:	10.5	↙
4:	10.5	←
5:	10.1	↗
6:	10.7x	↓
7:	9.6	↓
8:	10.2	↓
9:	10.6x	↗
10:	10.4	↙
Serie		98.0
Total		0.0



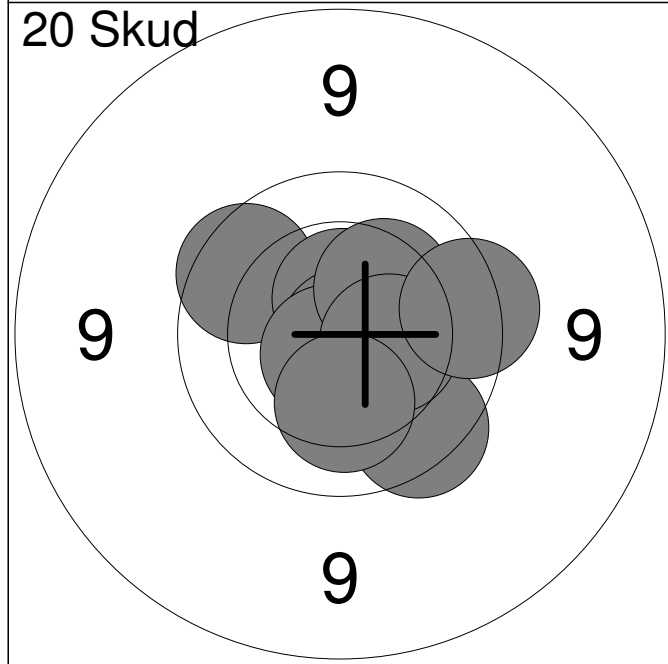
1:	10.0	↓
2:	9.7	↓
3:	9.8	↓
4:	10.5	↗
5:	10.4	↓
6:	10.4	↓
7:	10.7x	↗
8:	9.8	→
9:	10.3	↙
10:	10.1	↓
Serie		97.0
Total		97.0



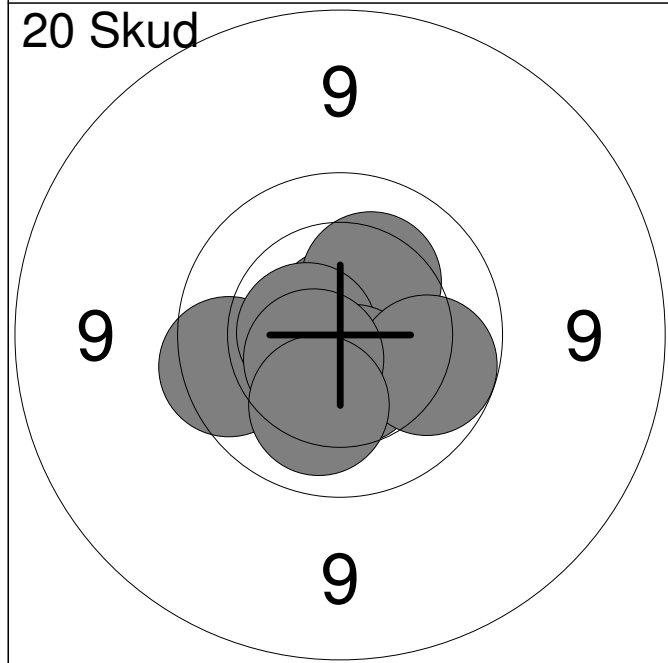
11:	10.3	→
12:	10.5	→
13:	10.5	↑
14:	10.4	↓
15:	10.4	←
16:	10.1	↓
17:	10.1	↗
18:	10.7x	↙
19:	10.4	↓
20:	10.3	↓
Serie		100.0
Total		197.0



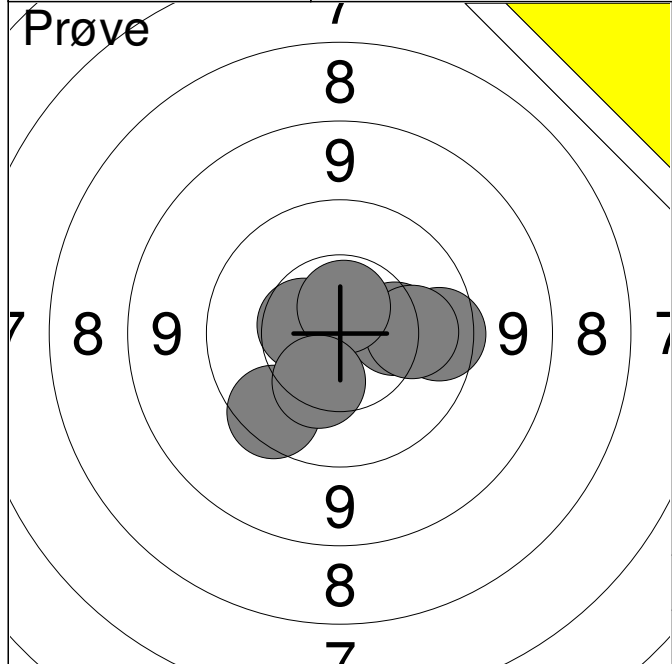
1:	9.8	↓
2:	10.5x	→
3:	10.7x	↑
4:	10.4	↓
5:	10.6x	→
6:	9.7	↘
7:	10.2	↙
<b>Serie</b>		<b>68.0</b>
<b>Total</b>		<b>0.0</b>



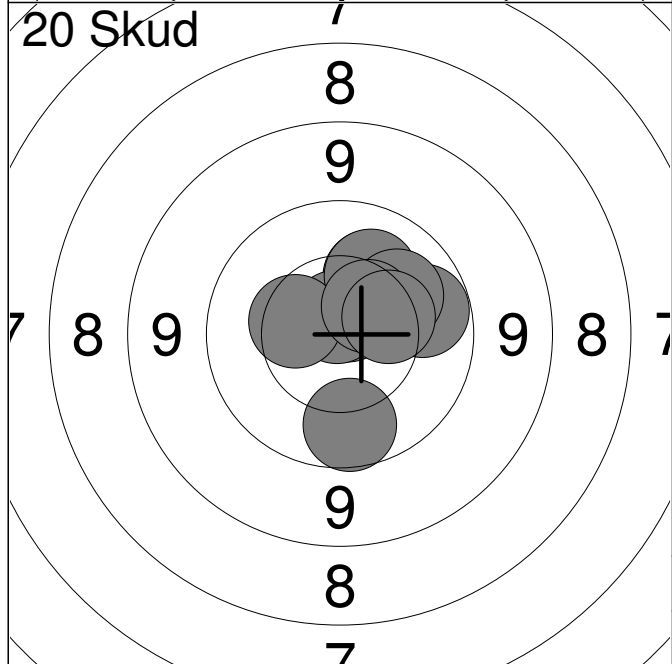
1:	9.8	↘
2:	9.8	↗
3:	10.6x	↑
4:	10.9x	→
5:	10.7x	↓
6:	10.3	→
7:	10.3	↗
8:	10.4	→
9:	9.7	→
10:	10.2	↓
<b>Serie</b>		<b>97.0</b>
<b>Total</b>		<b>97.0</b>



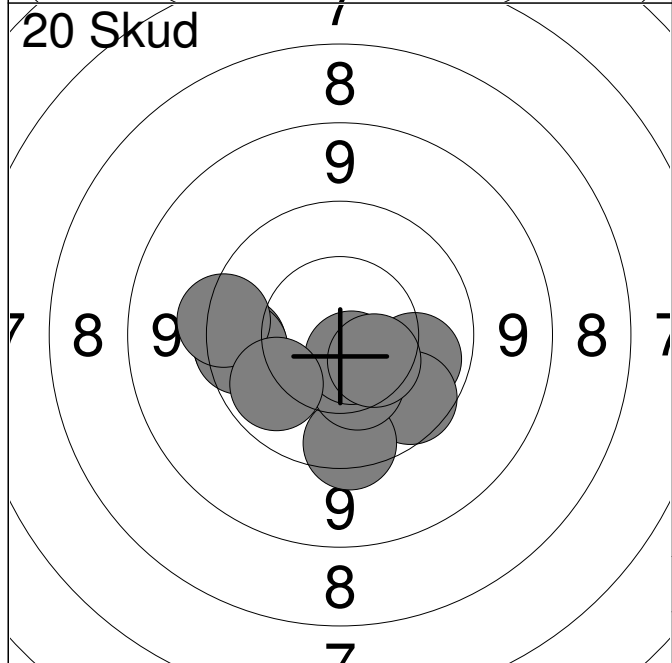
11:	9.8	←
12:	10.8x	↑
13:	10.6x	↓
14:	10.3	↗
15:	10.5x	↓
16:	10.6x	←
17:	10.5x	↓
18:	10.0	→
19:	10.6x	↙
20:	10.2	↓
<b>Serie</b>		<b>99.0</b>
<b>Total</b>		<b>196.0</b>



1:	9.7	↙
2:	10.5	←
3:	9.8	→
4:	10.3	→
5:	10.1	→
6:	10.6x	↑
7:	10.3	↘
<b>Serie</b>		<b>68.0</b>
<b>Total</b>		<b>0.0</b>

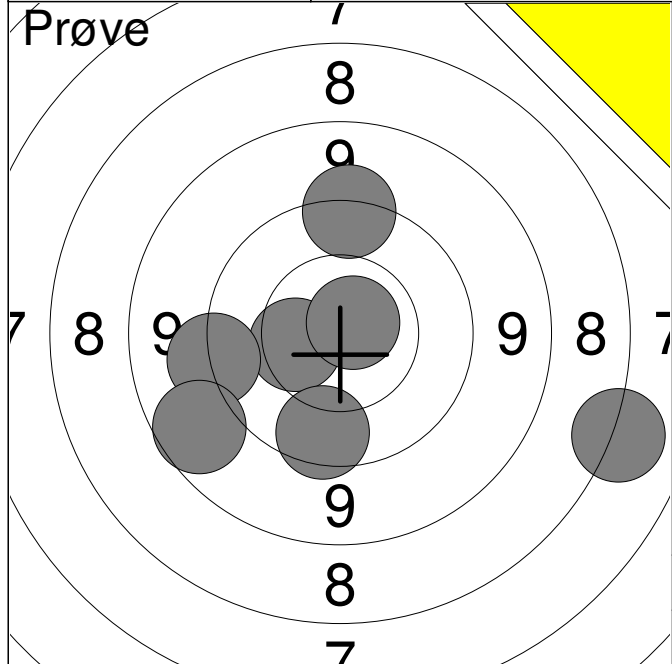


1:	10.7x	↑
2:	10.2	↑
3:	10.0	→
4:	10.7x	↑
5:	10.2	↑
6:	10.2	↗
7:	10.4	←
8:	9.9	↓
9:	10.5	↗
10:	10.4	→
<b>Serie</b>		<b>99.0</b>
<b>Total</b>		<b>99.0</b>

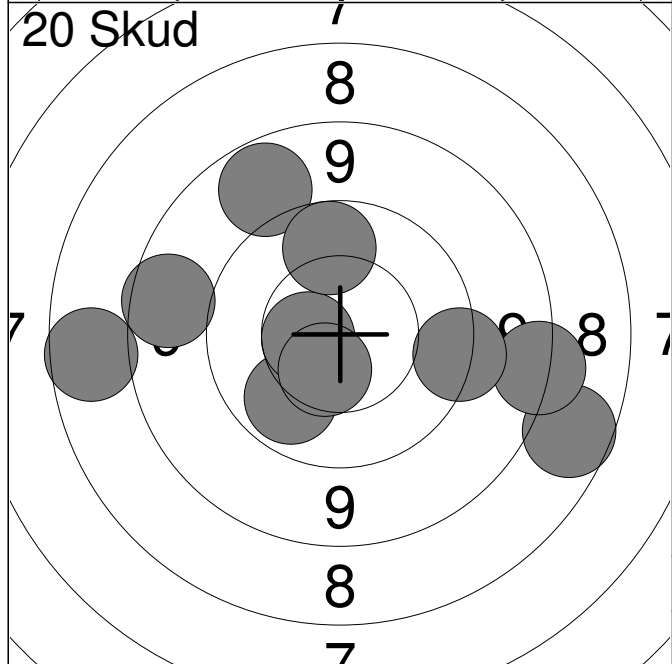


11:	9.8	←
12:	10.0	→
13:	9.8	↘
14:	9.7	↓
15:	9.8	←
16:	10.4	↘
17:	9.6	←
18:	10.7x	↘
19:	10.5	↘
20:	10.0	↙
<b>Serie</b>		<b>95.0</b>
<b>Total</b>		<b>194.0</b>

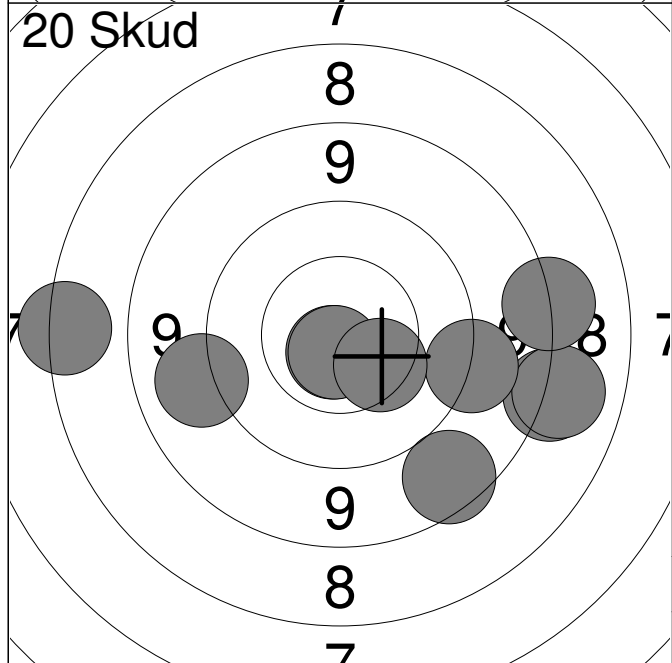




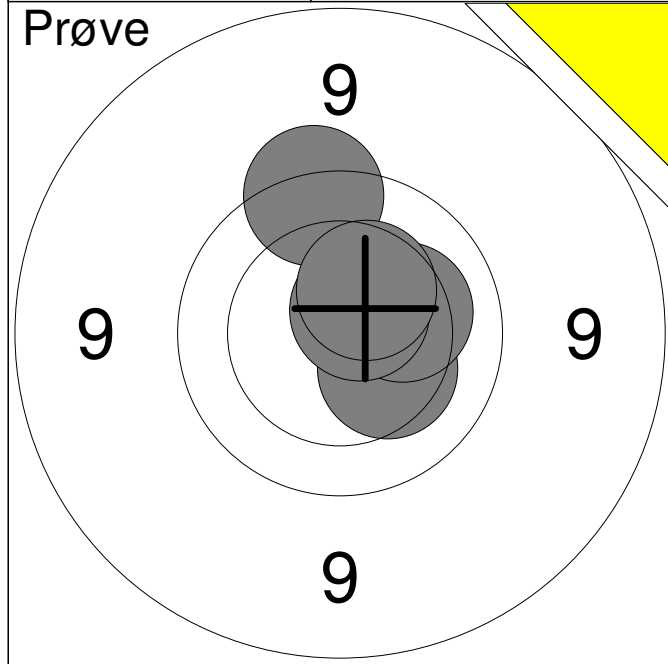
1:	10.4	←
2:	9.4	←
3:	8.9	↙
4:	7.3	→
5:	9.8	↓
6:	9.5	↑
7:	10.8x	↗
<b>Serie</b>		<b>62.0</b>
<b>Total</b>		<b>0.0</b>



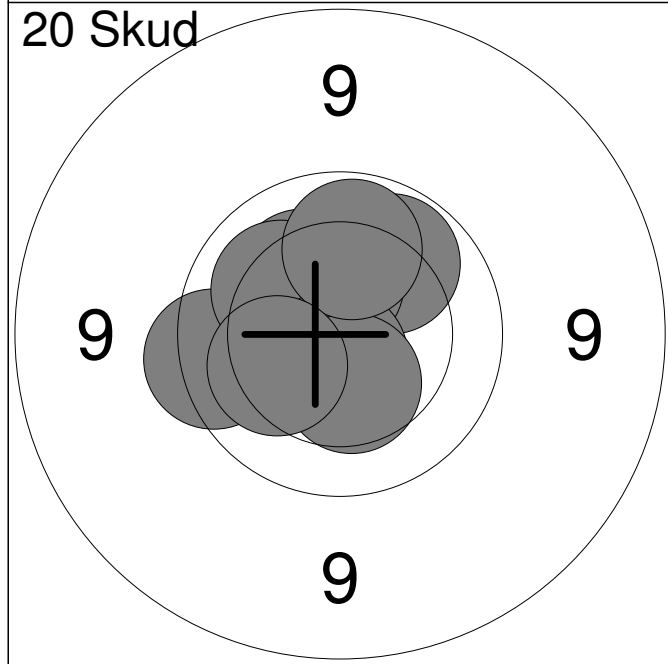
1:	10.0	↙
2:	8.8	←
3:	7.9	→
4:	9.0	↗
5:	10.6	←
6:	9.9	↑
7:	7.9	←
8:	8.5	→
9:	9.5	→
10:	10.5	↓
<b>Serie</b>		<b>87.0</b>
<b>Total</b>		<b>87.0</b>



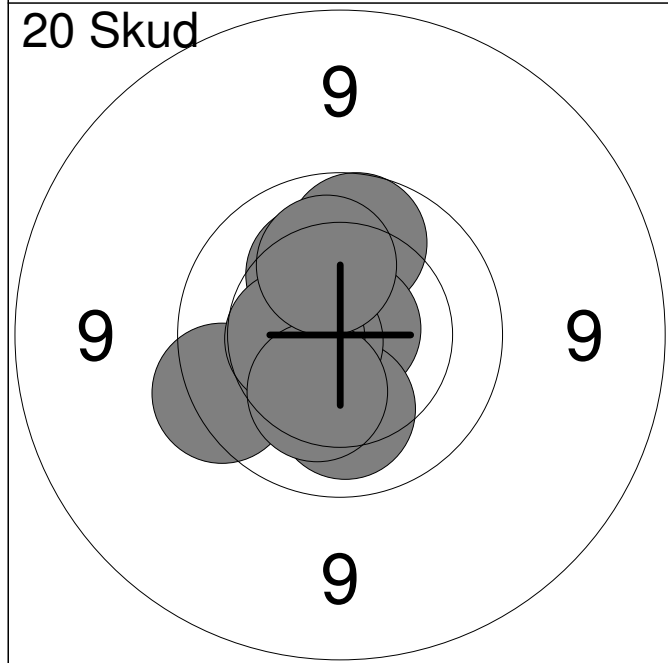
11:	8.3	→
12:	10.7x	↓
13:	8.2	→
14:	9.3	→
15:	8.8	↙
16:	10.7x	↓
17:	9.2	←
18:	7.5	←
19:	10.4	↙
20:	8.4	→
<b>Serie</b>		<b>87.0</b>
<b>Total</b>		<b>174.0</b>



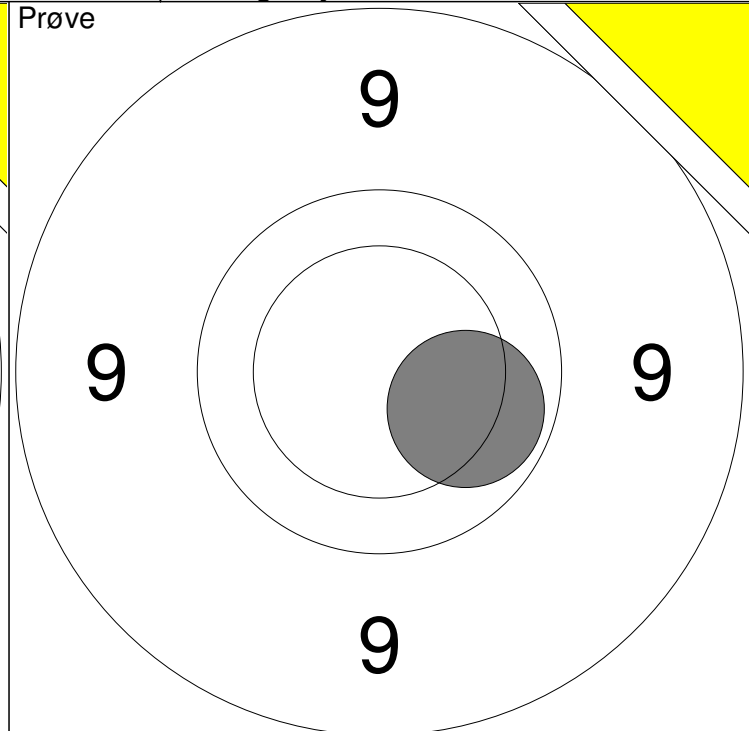
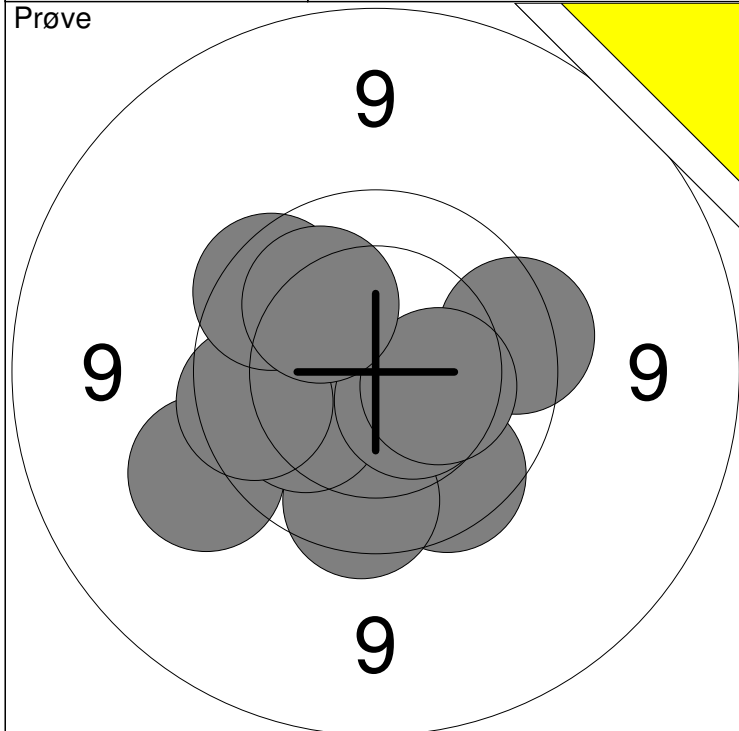
1:	9.7	↑
2:	10.3	↘
3:	10.2	→
4:	10.6x	↗
5:	10.4	↗
<b>Serie</b>		<b>49.0</b>
<b>Total</b>		<b>0.0</b>



1:	10.0	↗
2:	10.2	↖
3:	10.4	↑
4:	10.2	←
5:	9.7	←
6:	10.2	↖
7:	10.7x	↓
8:	10.4	↓
9:	10.0	↑
10:	10.2	↙
<b>Serie</b>		<b>99.0</b>
<b>Total</b>		<b>99.0</b>

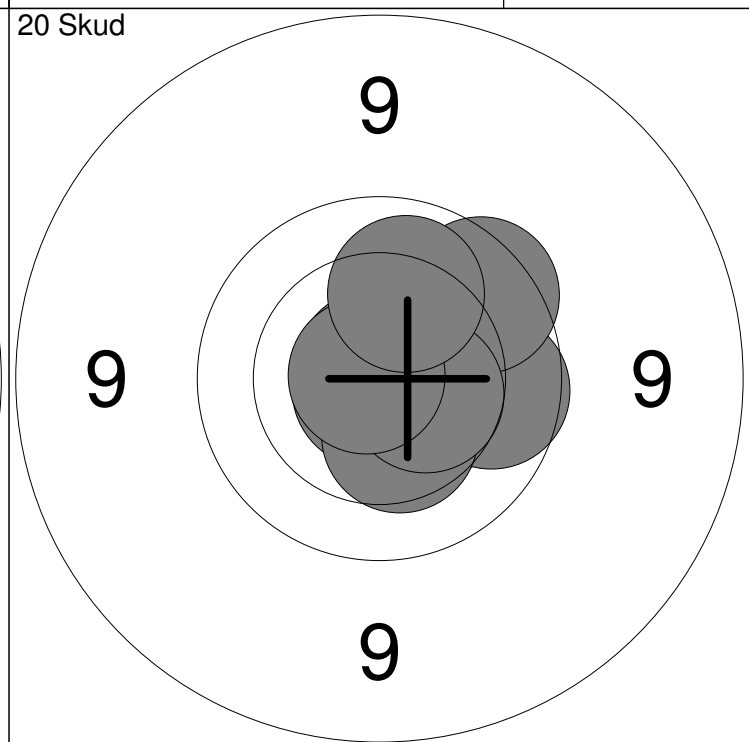
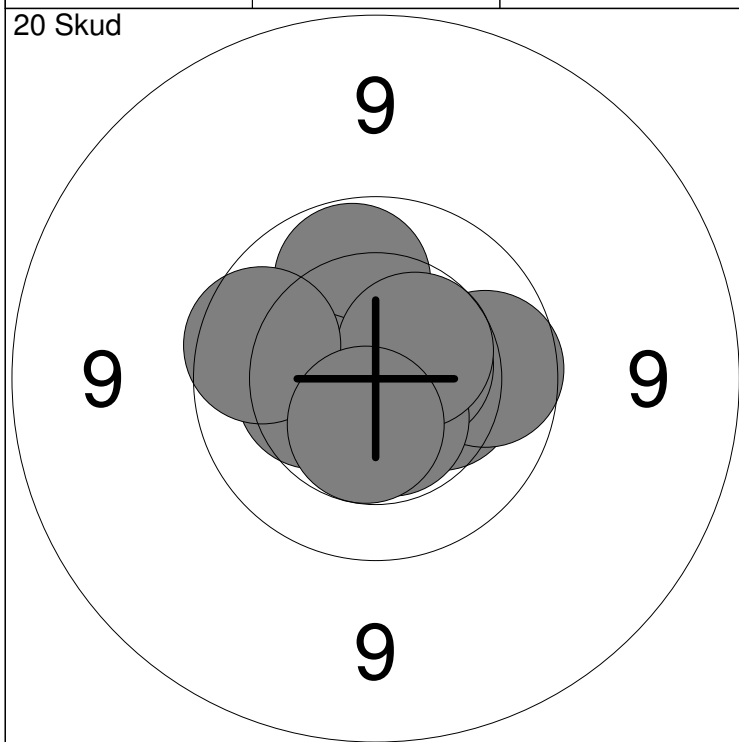


11:	10.2	↑
12:	9.9	↑
13:	9.7	↙
14:	10.8x	↗
15:	10.1	↓
16:	10.2	↑
17:	10.6x	←
18:	10.5	←
19:	10.3	↘
20:	10.2	↑
<b>Serie</b>		<b>98.0</b>
<b>Total</b>		<b>197.0</b>



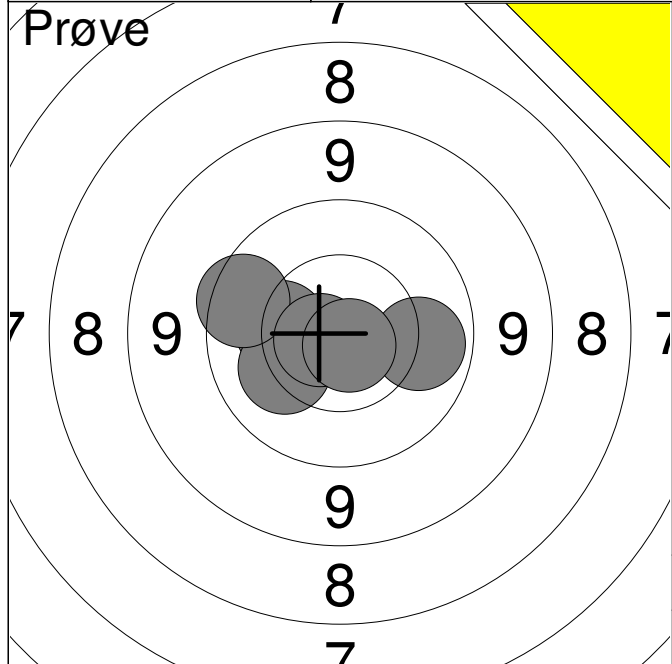
1: 9.8 ↓	6: 9.7 →	Serie	94
2: 9.4 ↙	7: 10.5x ↓		
3: 9.8 ↓	8: 10.3 →	Total	0
4: 10.2 ↙	9: 9.8 ↗		
5: 9.8 ←	10: 10.1 ↗		

11: 10.0 →		Serie	10
		Total	0

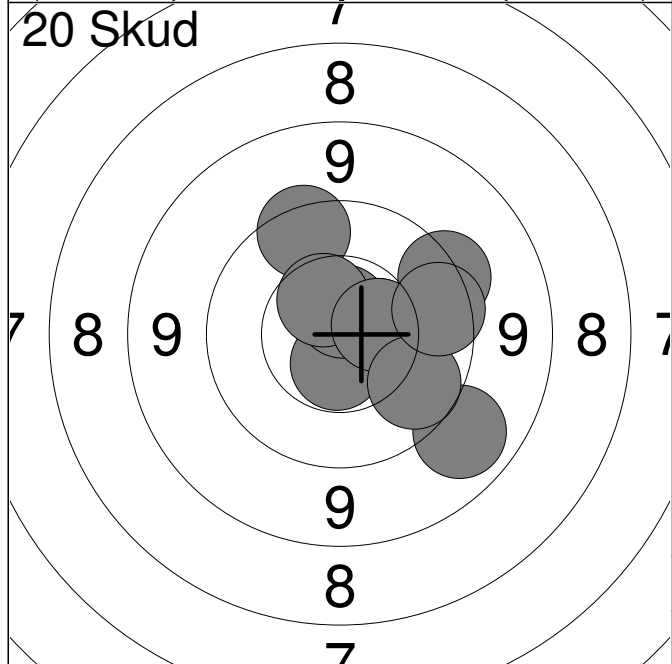


1: 10.0 ↑	6: 10.5x →	Serie	98
2: 10.3 →	7: 10.5x ↓		
3: 9.9 →	8: 10.5 ↗	Total	98
4: 10.4 ←	9: 9.9 ←		
5: 10.7x ↓	10: 10.5x ↓		

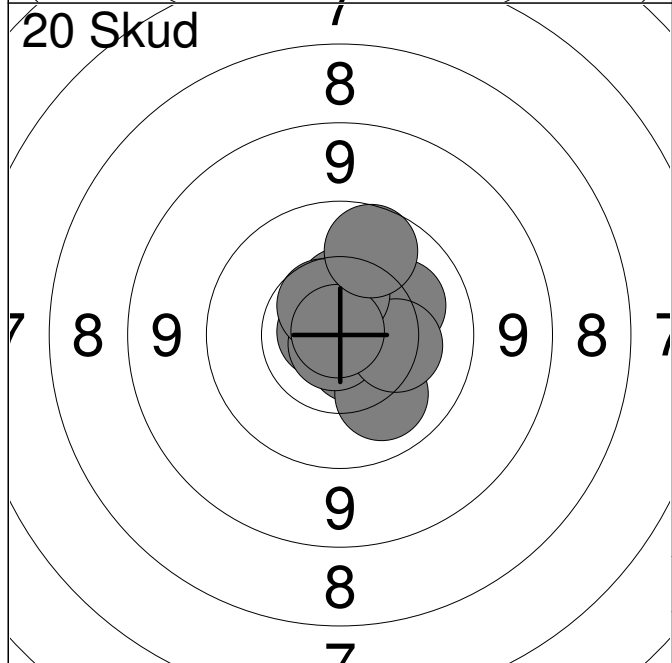
11: 10.9x ↓	16: 10.4 ↓	Serie	98
12: 10.8x ↙	17: 9.8 ↗		
13: 10.8x ↗	18: 10.5 →	Total	196
14: 10.5 ↓	19: 10.8x ←		
15: 9.9 →	20: 10.1 ↑		



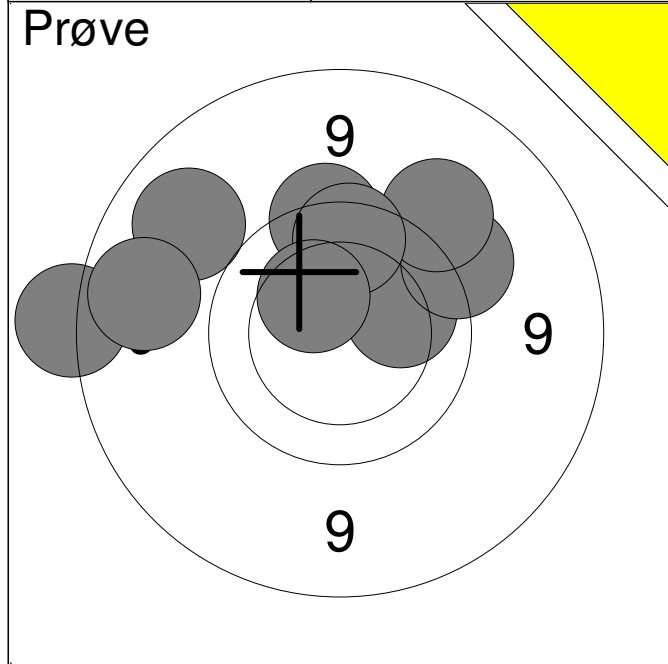
1:	10.0	→
2:	10.3	←
3:	10.2	↙
4:	9.8	↖
5:	10.7x	←
6:	10.8x	↘
<b>Serie</b>		<b>59.0</b>
<b>Total</b>		<b>0.0</b>



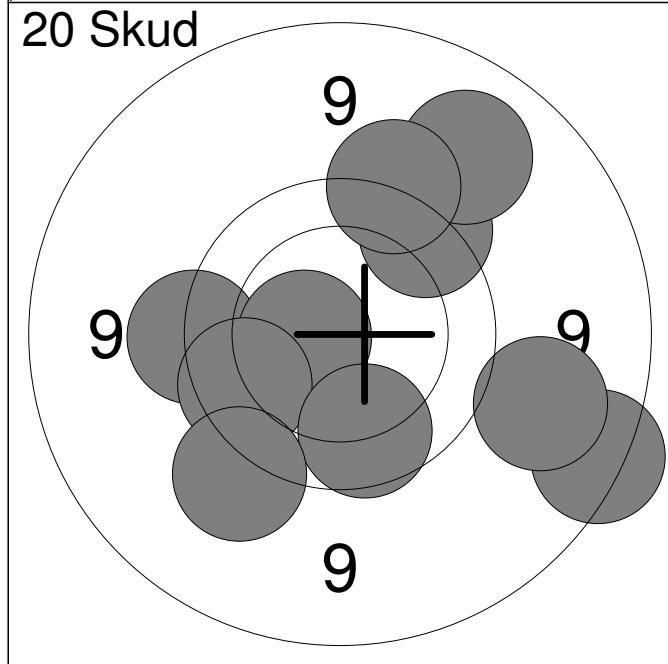
1:	10.5	→
2:	9.7	↑
3:	10.6x	↓
4:	9.5	↗
5:	9.1	↘
6:	10.7x	↑
7:	10.5	↑
8:	10.5	→
9:	9.9	↘
10:	9.8	→
<b>Serie</b>		<b>95.0</b>
<b>Total</b>		<b>95.0</b>



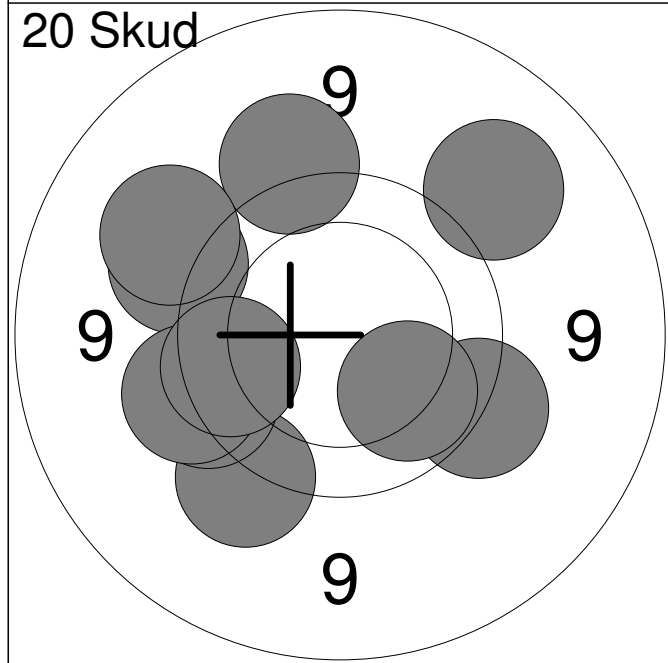
11:	10.7x	↘
12:	10.1	↘
13:	10.2	↗
14:	10.8x	←
15:	10.8x	↘
16:	10.3	→
17:	10.5	↑
18:	10.6	↗
19:	10.9x	↗
20:	9.9	↑
<b>Serie</b>		<b>99.0</b>
<b>Total</b>		<b>194.0</b>



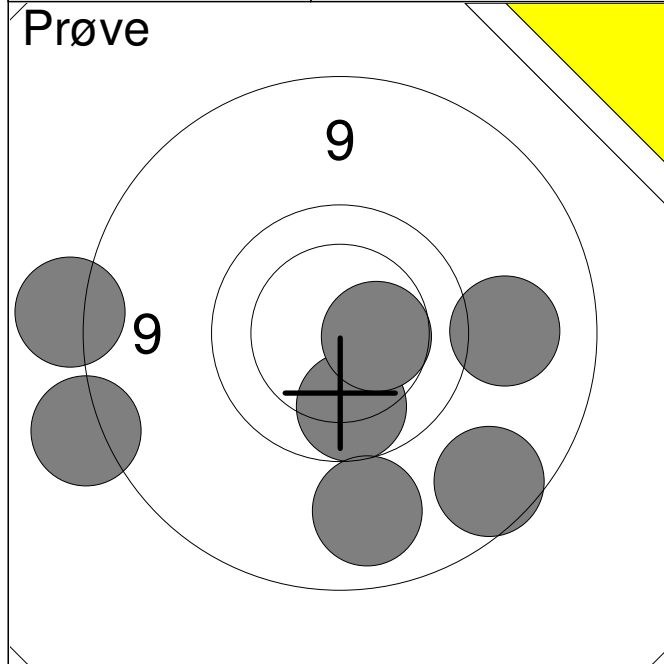
1:	10.1	→
2:	9.5	↗
3:	9.4	↗
4:	9.7	↑
5:	9.8	↑
6:	9.1	↖
7:	8.6	←
8:	9.0	←
9:	10.3	↖
<b>Serie</b>		<b>82.0</b>
<b>Total</b>		<b>0.0</b>



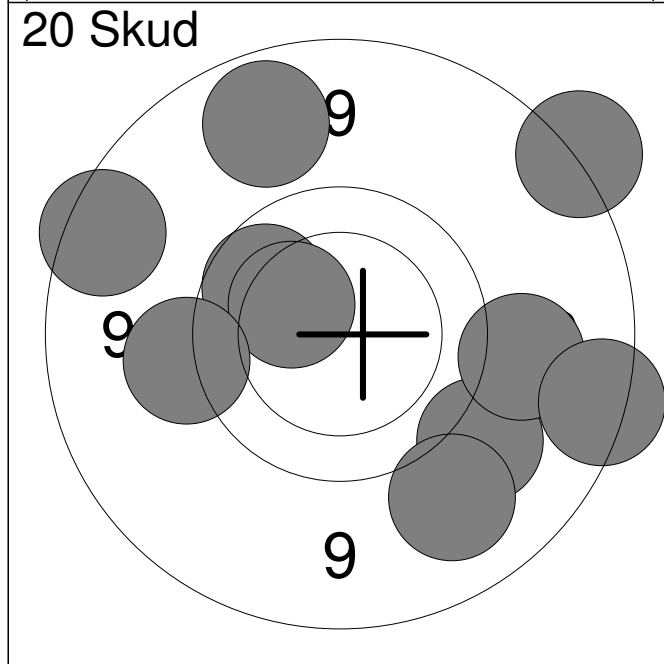
1:	9.7	↗
2:	9.6	←
3:	10.5x	←
4:	9.8	←
5:	9.9	↓
6:	9.1	↗
7:	8.8	→
8:	9.5	↑
9:	9.4	↙
10:	9.2	→
<b>Serie</b>		<b>90.0</b>
<b>Total</b>		<b>90.0</b>



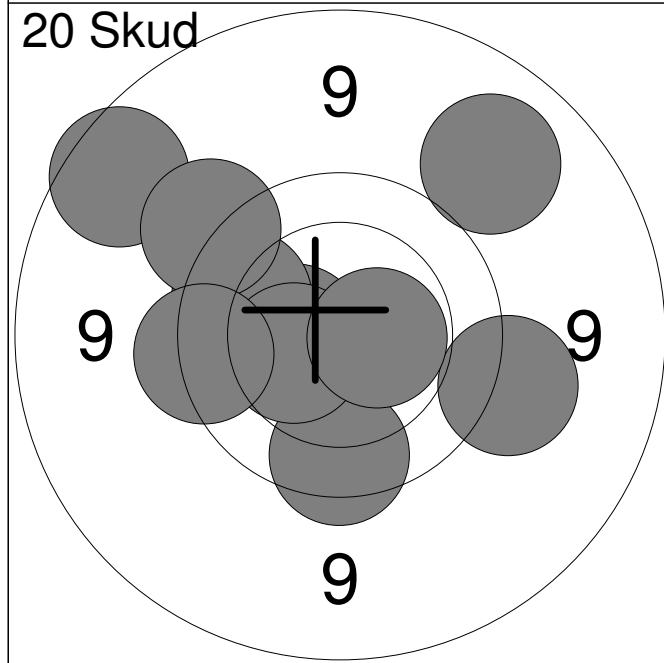
11:	9.5	↙
12:	9.2	↗
13:	9.4	↑
14:	9.6	←
15:	9.4	↗
16:	9.6	→
17:	10.0	↘
18:	9.5	←
19:	9.3	↗
20:	9.8	←
<b>Serie</b>		<b>91.0</b>
<b>Total</b>		<b>181.0</b>



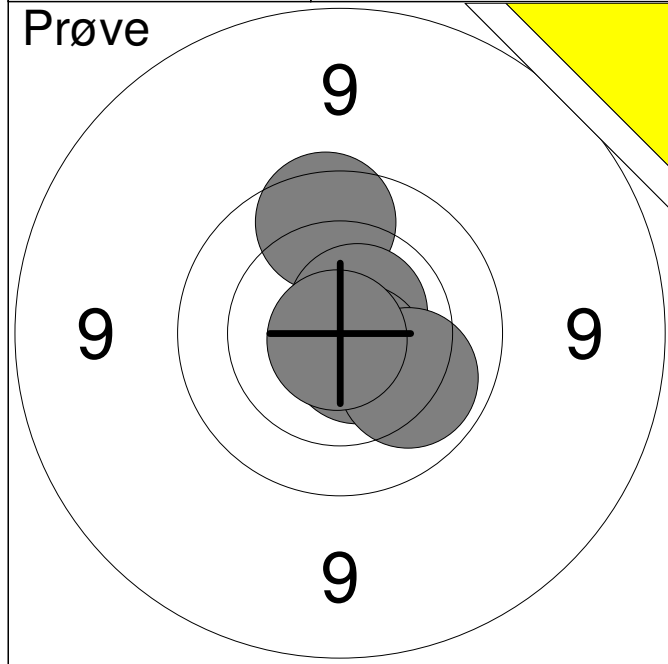
1:	9.9	↓
2:	10.5	→
3:	9.2	→
4:	8.6	←
5:	8.6	←
6:	8.9	↓
7:	9.1	↓
<b>Serie</b>		<b>61.0</b>
<b>Total</b>		<b>0.0</b>



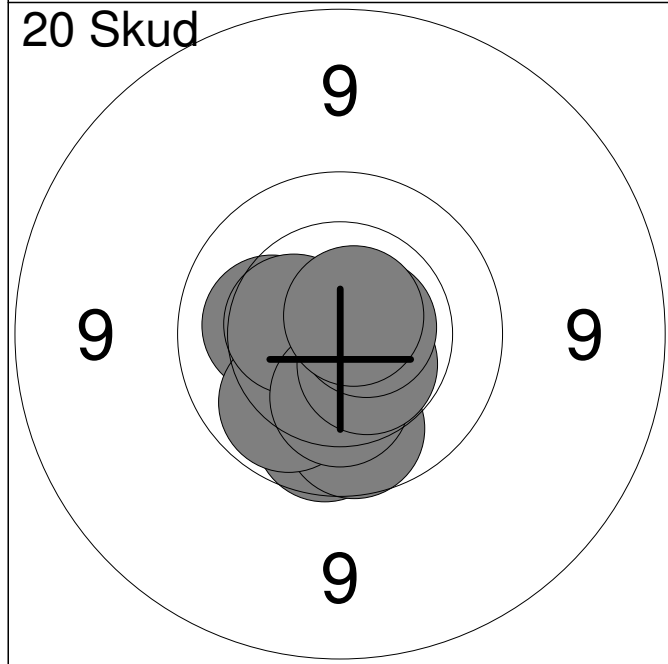
1:	9.3	↓
2:	9.9	↗
3:	9.3	→
4:	9.2	↓
5:	10.3	↗
6:	9.5	←
7:	8.8	→
8:	8.8	↗
9:	8.6	↗
10:	9.0	↗
<b>Serie</b>		<b>88.0</b>
<b>Total</b>		<b>88.0</b>



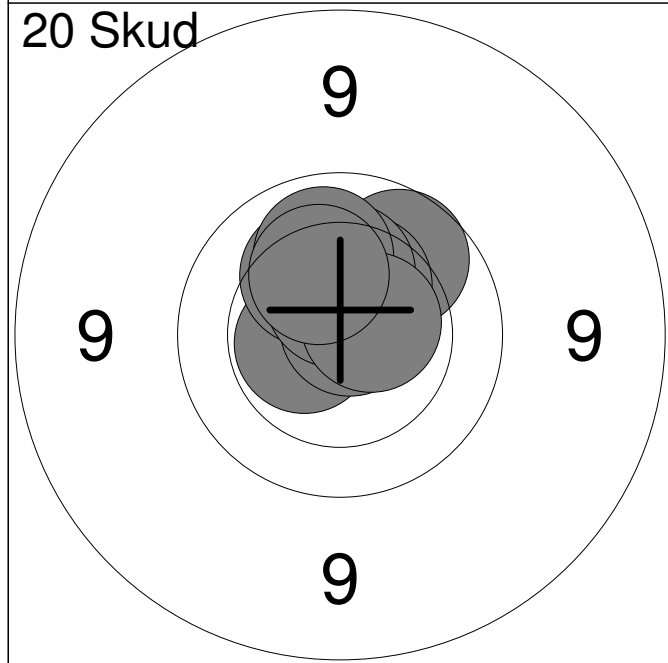
11:	10.5	←
12:	9.1	↗
13:	9.8	↓
14:	9.9	↗
15:	9.4	→
16:	8.9	↗
17:	9.5	↗
18:	10.4	←
19:	10.6x	→
20:	9.7	←
<b>Serie</b>		<b>92.0</b>
<b>Total</b>		<b>180.0</b>



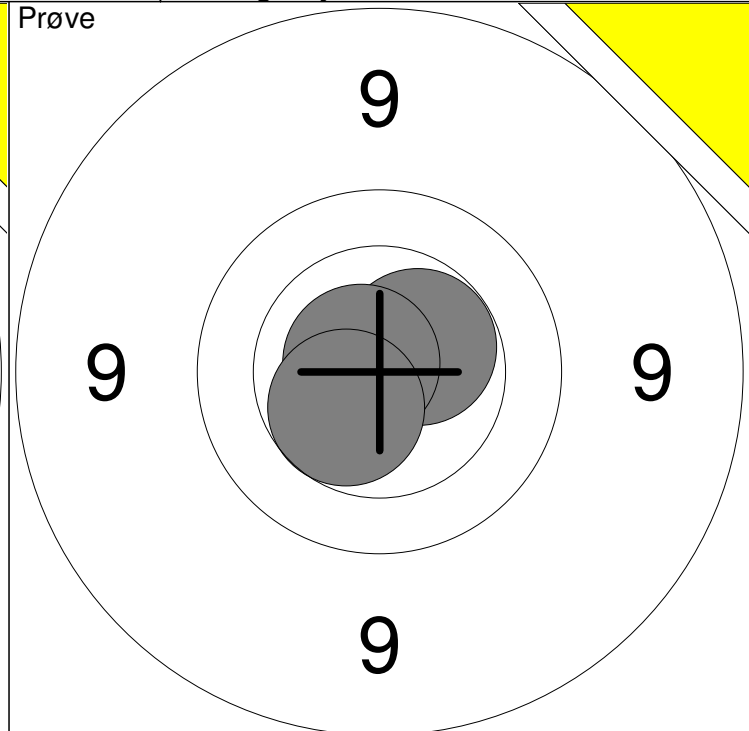
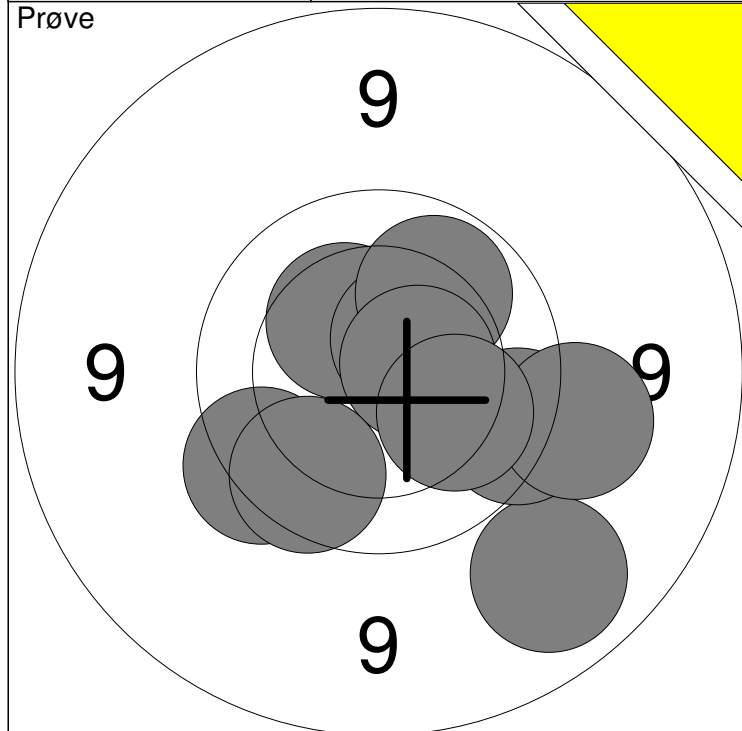
1:	9.8	↑
2:	10.7x	↗
3:	10.7x	↘
4:	10.1	↘
5:	10.9x	↘
<b>Serie</b>		<b>49.0</b>
<b>Total</b>		<b>0.0</b>



1:	9.9	↓
2:	10.8x	↓
3:	9.9	↓
4:	10.2	←
5:	10.0	↙
6:	10.4	←
7:	10.3	↓
8:	10.5x	↘
9:	10.7x	→
10:	10.7x	↗
<b>Serie</b>		<b>98.0</b>
<b>Total</b>		<b>98.0</b>

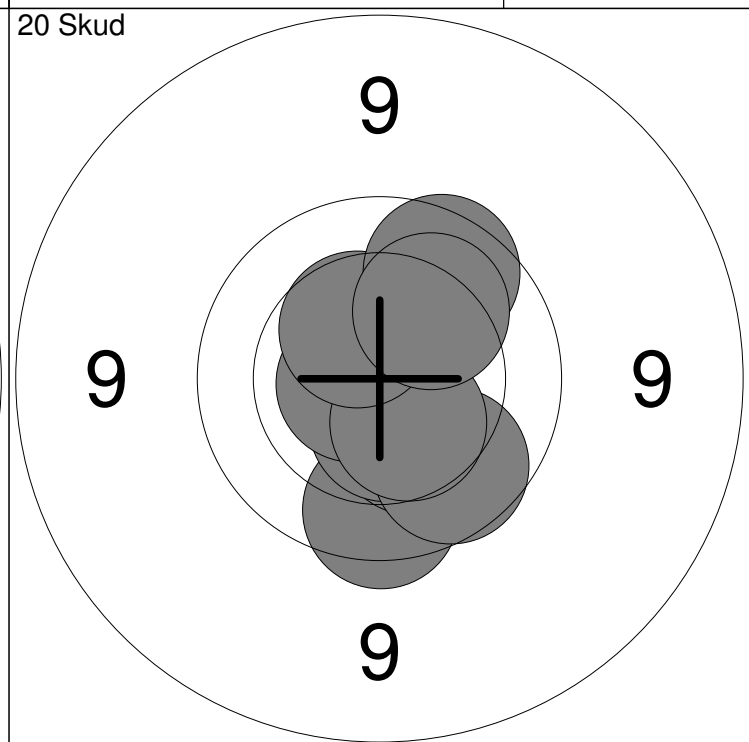
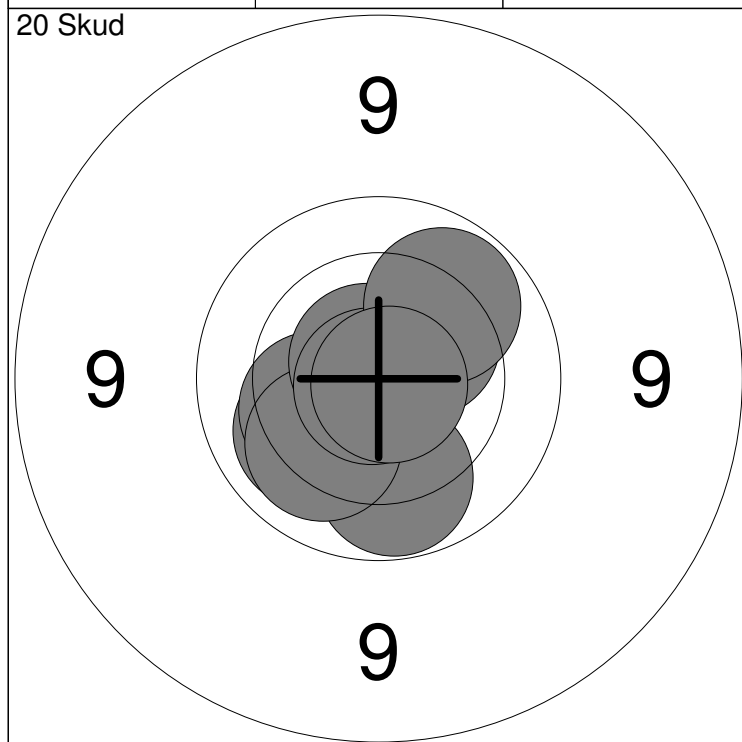


11:	10.6x	←
12:	10.8x	↗
13:	10.2	↖
14:	9.9	↗
15:	10.4	↗
16:	10.3	↑
17:	10.5x	↑
18:	10.1	↑
19:	10.6x	→
20:	10.3	↑
<b>Serie</b>		<b>99.0</b>
<b>Total</b>		<b>197.0</b>



1: 9.1 ↘	6: 10.0 ↗	Serie	95
2: 9.7 ↘	7: 10.6x →		
3: 9.4 →	8: 10.1 ↘	Total	0
4: 10.4 ↗	9: 9.7 ↙		
5: 10.5x ↗	10: 9.8 ↙		

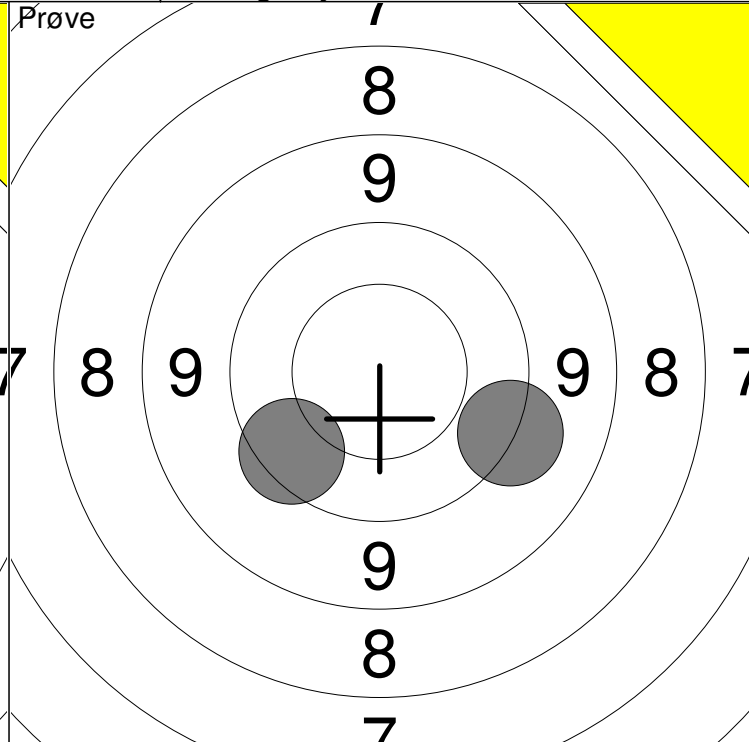
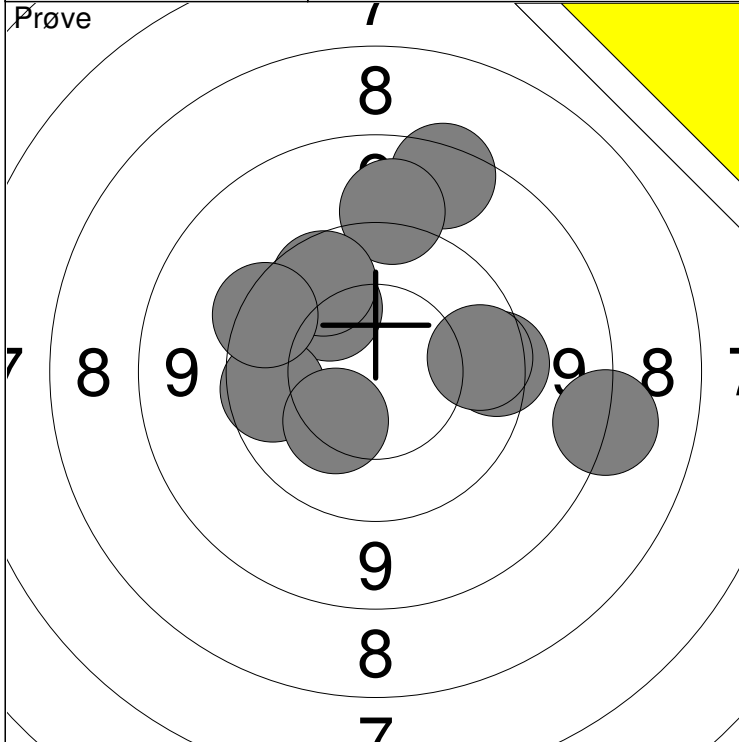
11: 10.5x ↗	Serie	30
12: 10.8x ↖		
13: 10.5 ↙	Total	0



1: 10.4 ↗	6: 10.1 ↙	Serie	100
2: 10.6x ↙	7: 10.8x ↗		
3: 10.0 ↘	8: 10.9x ↙	Total	100
4: 10.1 ↙	9: 10.0 ↗		
5: 10.3 ↖	10: 10.8x ↘		

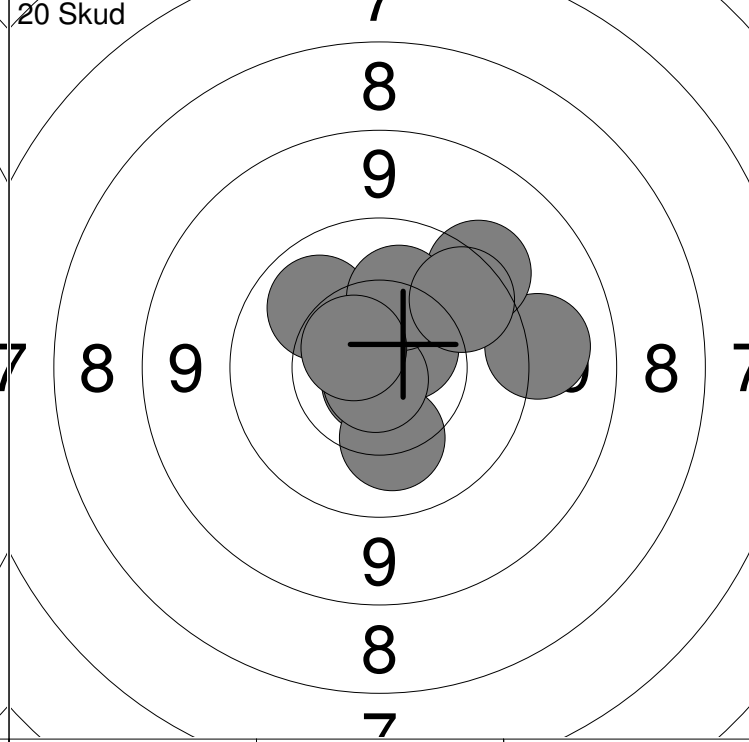
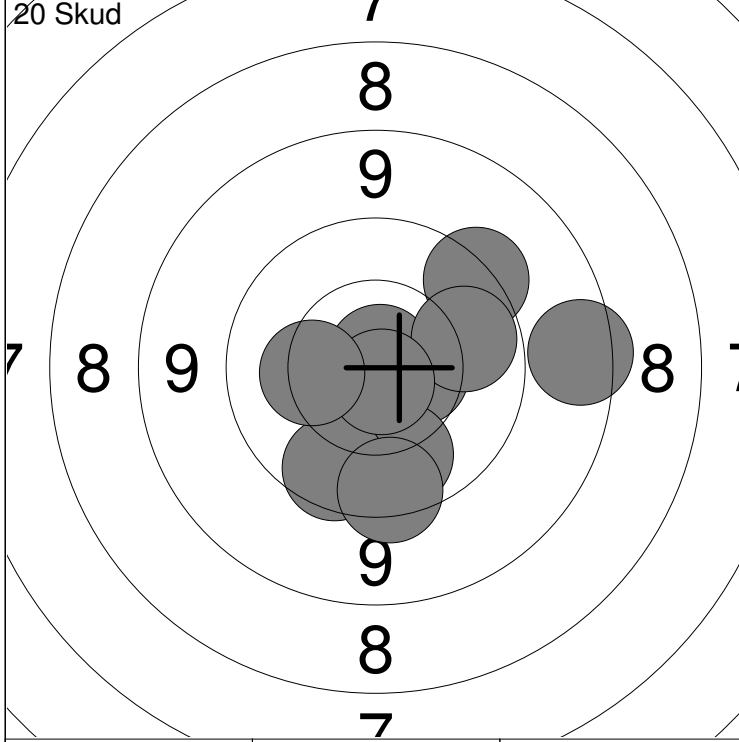
11: 9.8 ↘	16: 9.9 ↘	Serie	97
12: 10.8x →	17: 10.4 ↘		
13: 10.3 ↘	18: 10.4 ↗	Total	197
14: 10.5x ↘	19: 9.8 ↗		
15: 10.7x ←	20: 10.1 ↗		





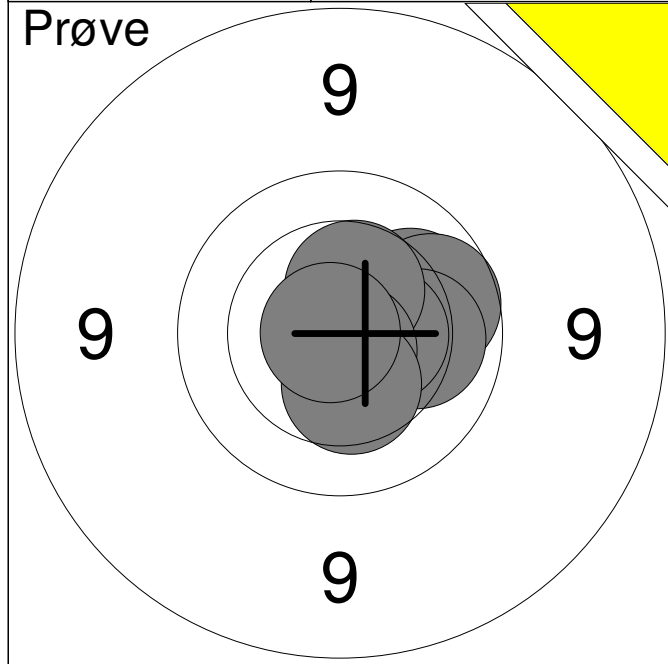
1: 10.1 ↗	6: 10.3 ↘	Serie	90
2: 8.7 ↑	7: 9.6 ↗		
3: 9.2 ↑	8: 9.7 →	Total	0
4: 9.9 ↗	9: 8.4 →		
5: 9.9 ←	10: 9.9 →		

11: 9.4 →	Serie	18
12: 9.7 ↘		
	Total	0

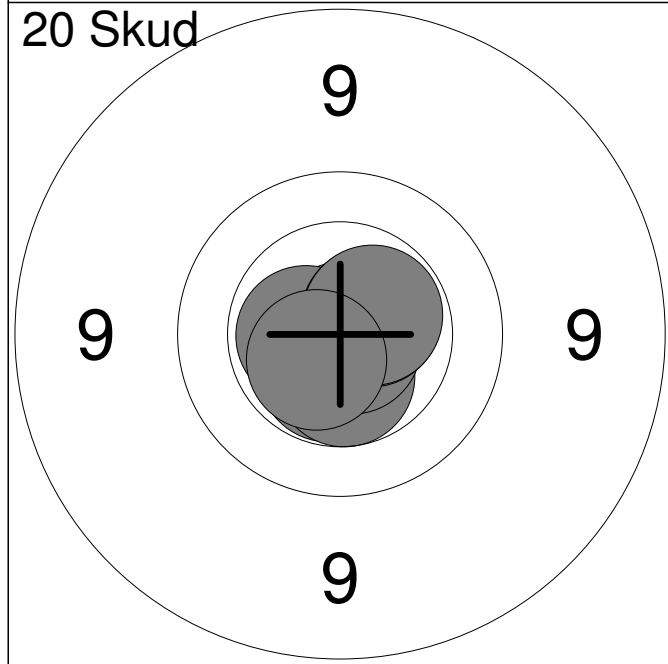


1: 9.5 ↗	6: 8.7 →	Serie	95
2: 10.5 →	7: 10.0 →		
3: 10.8x ↑	8: 10.8x ↘	Total	95
4: 10.0 ↘	9: 9.6 ↘		
5: 9.8 ↘	10: 10.3 ←		

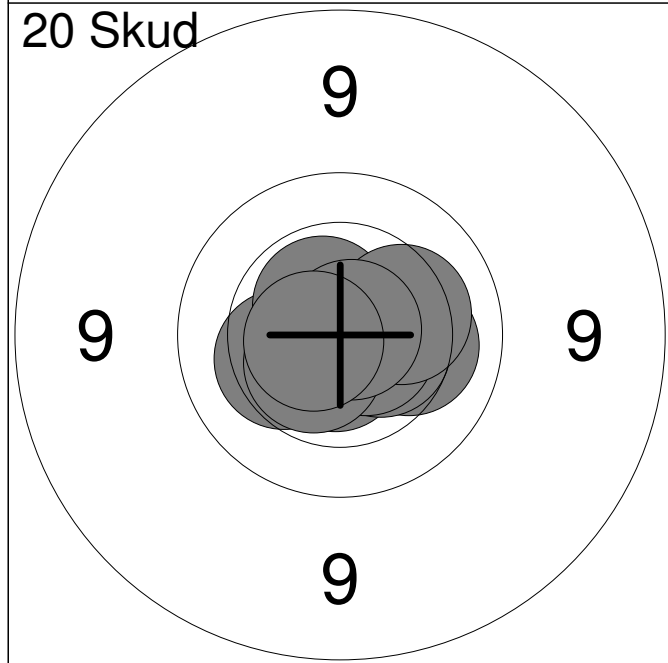
11: 10.8x ↘	16: 10.8x ↘	Serie	97
12: 10.6x ↗	17: 10.1 ↗		
13: 9.2 →	18: 10.2 ↑	Total	192
14: 10.2 ↘	19: 10.6x ↗		
15: 9.5 ↗	20: 9.8 ↗		



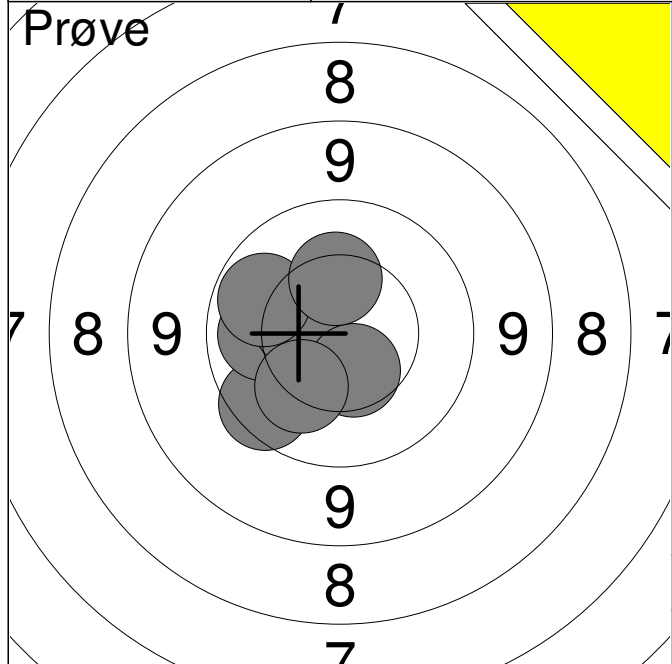
1:	10.1	↗
2:	9.9	→
3:	10.1	→
4:	10.7x	↗
5:	10.5x	→
6:	10.5	↖
7:	10.7x	↓
8:	10.4	↓
9:	10.8x	←
<b>Serie</b>		<b>89.0</b>
<b>Total</b>		<b>0.0</b>



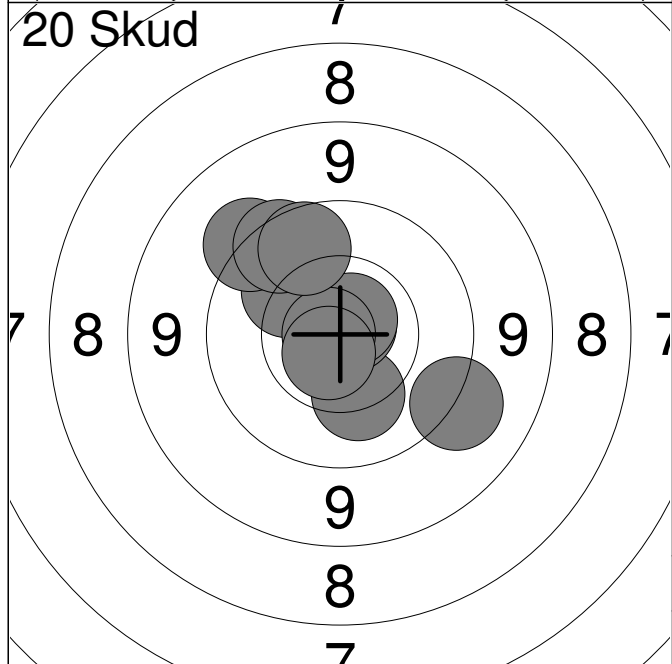
1:	10.9x	↗
2:	10.5x	↓
3:	10.7x	↓
4:	10.8x	↙
5:	10.5	↓
6:	10.6x	←
7:	10.8x	↘
8:	10.6x	↗
9:	10.5x	↗
10:	10.6x	↙
<b>Serie</b>		<b>100.0</b>
<b>Total</b>		<b>100.0</b>



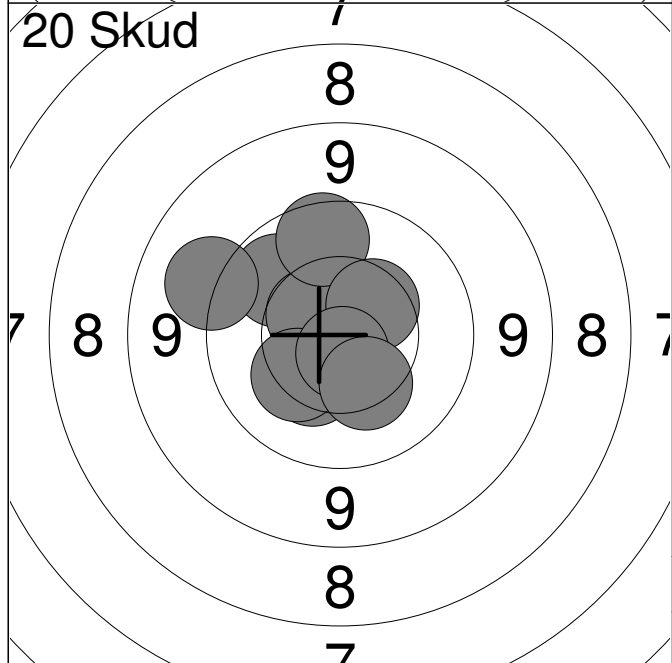
11:	10.2	→
12:	10.3	←
13:	10.7x	↓
14:	10.5	→
15:	10.6x	↗
16:	10.7x	↘
17:	10.3	→
18:	10.5x	↙
19:	10.8x	↗
20:	10.7x	←
<b>Serie</b>		<b>100.0</b>
<b>Total</b>		<b>200.0</b>



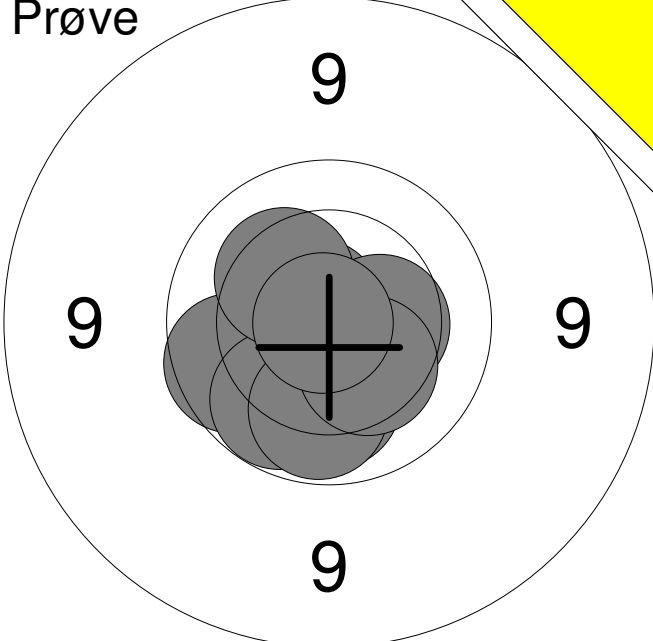
1:	9.7	↙
2:	10.1	←
3:	10.5	↖
4:	10.0	↗
5:	10.5	↓
6:	10.2	↙
7:	10.3	↑
<b>Serie</b>		<b>69.0</b>
<b>Total</b>		<b>0.0</b>

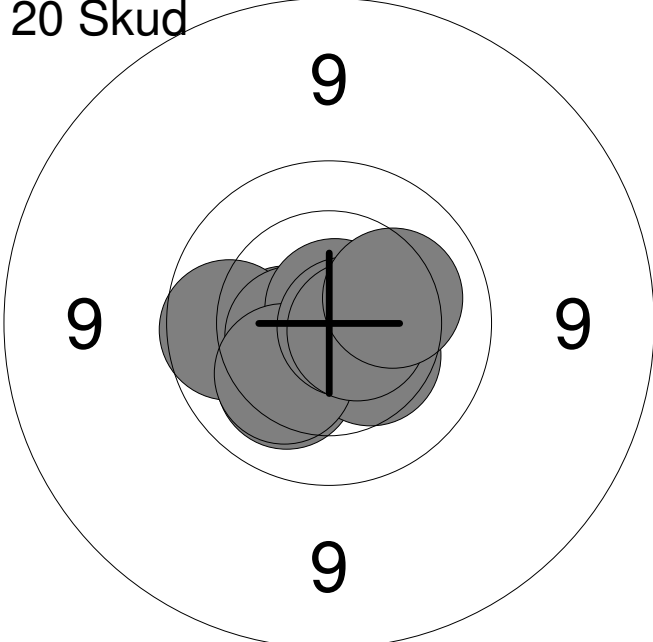


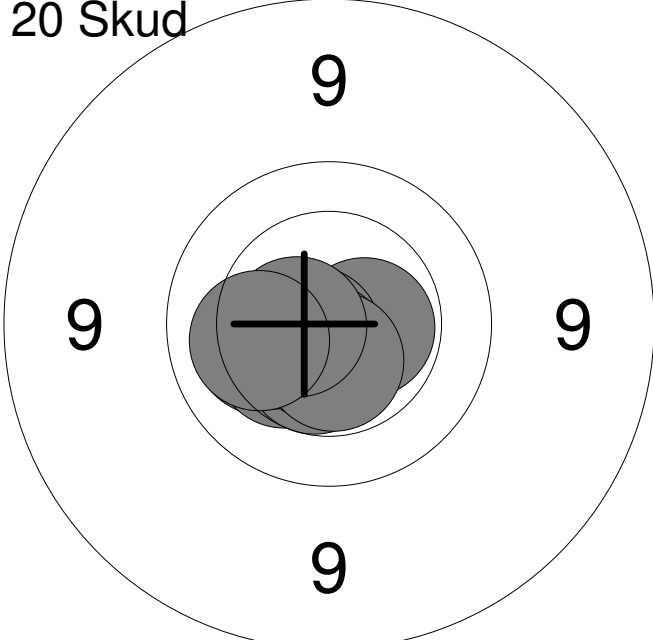
1:	10.2	↓
2:	10.2	↗
3:	9.4	↗
4:	10.8x	↗
5:	9.7	↗
6:	10.7x	↗
7:	10.8x	←
8:	9.3	↘
9:	10.7x	↙
10:	9.9	↗
<b>Serie</b>		<b>96.0</b>
<b>Total</b>		<b>96.0</b>

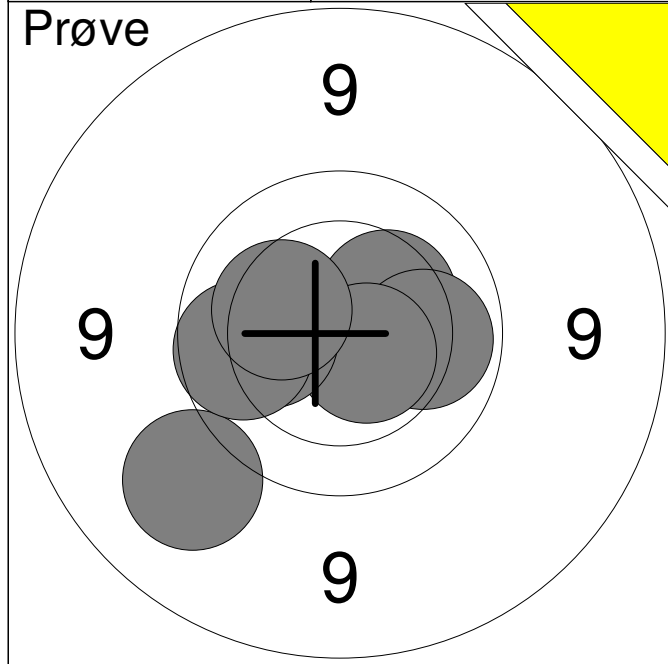


11:	10.0	↗
12:	10.3	↙
13:	10.8x	↗
14:	10.6	↗
15:	9.8	↗
16:	10.4	↗
17:	10.3	↙
18:	9.3	↖
19:	10.7x	↓
20:	10.3	↘
<b>Serie</b>		<b>98.0</b>
<b>Total</b>		<b>194.0</b>

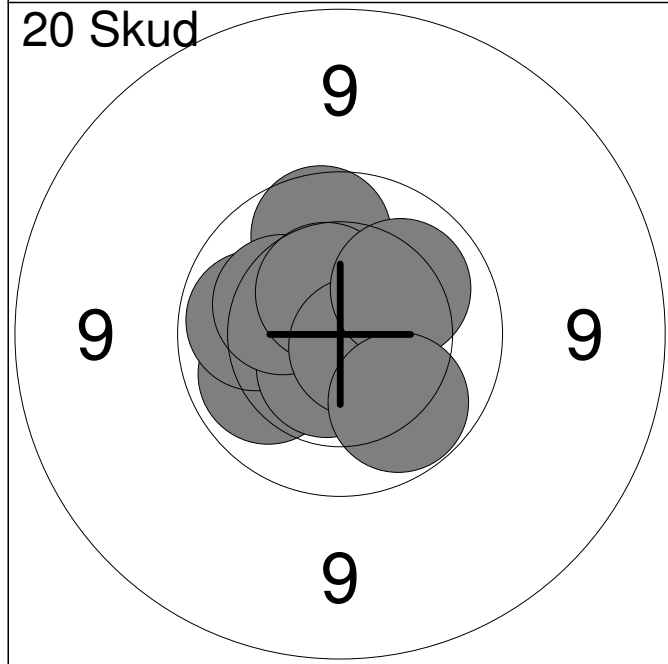
<p><b>Prøve</b></p> 	<table style="width:100%; border-collapse: collapse;"> <tr><td style="width:5%;">1:</td><td style="width:85%;">10.7x</td><td style="width:10%; text-align: right;">↗</td></tr> <tr><td>2:</td><td>9.9</td><td style="text-align: right;">↖</td></tr> <tr><td>3:</td><td>10.7x</td><td style="text-align: right;">↗</td></tr> <tr><td>4:</td><td>10.1</td><td style="text-align: right;">↓</td></tr> <tr><td>5:</td><td>10.4</td><td style="text-align: right;">→</td></tr> <tr><td>6:</td><td>10.0</td><td style="text-align: right;">↙</td></tr> <tr><td>7:</td><td>10.0</td><td style="text-align: right;">↓</td></tr> <tr><td>8:</td><td>10.3</td><td style="text-align: right;">↘</td></tr> <tr><td>9:</td><td>10.3</td><td style="text-align: right;">↗</td></tr> <tr><td>10:</td><td>10.9x</td><td style="text-align: right;">←</td></tr> <tr><td colspan="2"><b>Serie</b></td><td style="text-align: right;"><b>99.0</b></td></tr> <tr><td colspan="2"><b>Total</b></td><td style="text-align: right;"><b>0.0</b></td></tr> </table>	1:	10.7x	↗	2:	9.9	↖	3:	10.7x	↗	4:	10.1	↓	5:	10.4	→	6:	10.0	↙	7:	10.0	↓	8:	10.3	↘	9:	10.3	↗	10:	10.9x	←	<b>Serie</b>		<b>99.0</b>	<b>Total</b>		<b>0.0</b>
1:	10.7x	↗																																			
2:	9.9	↖																																			
3:	10.7x	↗																																			
4:	10.1	↓																																			
5:	10.4	→																																			
6:	10.0	↙																																			
7:	10.0	↓																																			
8:	10.3	↘																																			
9:	10.3	↗																																			
10:	10.9x	←																																			
<b>Serie</b>		<b>99.0</b>																																			
<b>Total</b>		<b>0.0</b>																																			

<p><b>20 Skud</b></p> 	<table style="width:100%; border-collapse: collapse;"> <tr><td style="width:5%;">1:</td><td style="width:85%;">10.2</td><td style="width:10%; text-align: right;">↙</td></tr> <tr><td>2:</td><td>10.5</td><td style="text-align: right;">←</td></tr> <tr><td>3:</td><td>9.9</td><td style="text-align: right;">←</td></tr> <tr><td>4:</td><td>10.4</td><td style="text-align: right;">↘</td></tr> <tr><td>5:</td><td>10.6x</td><td style="text-align: right;">←</td></tr> <tr><td>6:</td><td>10.8x</td><td style="text-align: right;">↗</td></tr> <tr><td>7:</td><td>10.2</td><td style="text-align: right;">↙</td></tr> <tr><td>8:</td><td>10.7x</td><td style="text-align: right;">→</td></tr> <tr><td>9:</td><td>10.6x</td><td style="text-align: right;">→</td></tr> <tr><td>10:</td><td>10.2</td><td style="text-align: right;">→</td></tr> <tr><td colspan="2"><b>Serie</b></td><td style="text-align: right;"><b>99.0</b></td></tr> <tr><td colspan="2"><b>Total</b></td><td style="text-align: right;"><b>99.0</b></td></tr> </table>	1:	10.2	↙	2:	10.5	←	3:	9.9	←	4:	10.4	↘	5:	10.6x	←	6:	10.8x	↗	7:	10.2	↙	8:	10.7x	→	9:	10.6x	→	10:	10.2	→	<b>Serie</b>		<b>99.0</b>	<b>Total</b>		<b>99.0</b>
1:	10.2	↙																																			
2:	10.5	←																																			
3:	9.9	←																																			
4:	10.4	↘																																			
5:	10.6x	←																																			
6:	10.8x	↗																																			
7:	10.2	↙																																			
8:	10.7x	→																																			
9:	10.6x	→																																			
10:	10.2	→																																			
<b>Serie</b>		<b>99.0</b>																																			
<b>Total</b>		<b>99.0</b>																																			

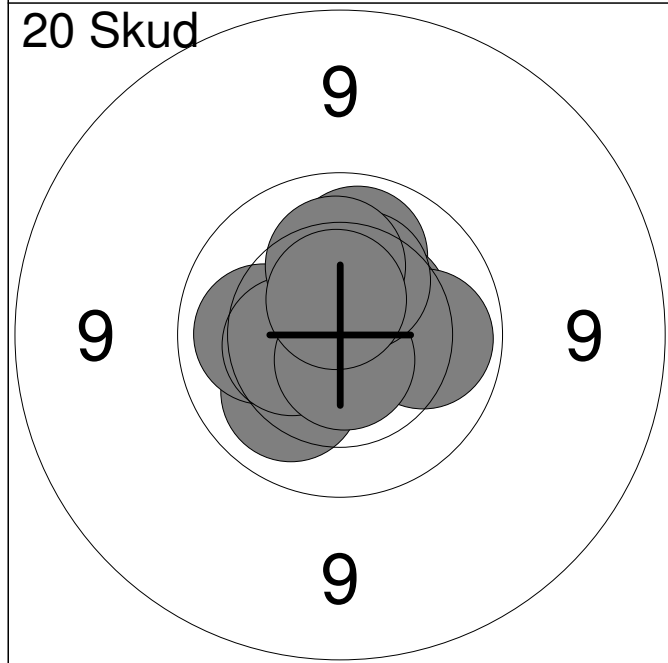
<p><b>20 Skud</b></p> 	<table style="width:100%; border-collapse: collapse;"> <tr><td style="width:5%;">11:</td><td style="width:85%;">10.2</td><td style="width:10%; text-align: right;">←</td></tr> <tr><td>12:</td><td>10.6x</td><td style="text-align: right;">→</td></tr> <tr><td>13:</td><td>10.3</td><td style="text-align: right;">↙</td></tr> <tr><td>14:</td><td>10.5</td><td style="text-align: right;">↓</td></tr> <tr><td>15:</td><td>10.7x</td><td style="text-align: right;">↙</td></tr> <tr><td>16:</td><td>10.3</td><td style="text-align: right;">←</td></tr> <tr><td>17:</td><td>10.6x</td><td style="text-align: right;">↙</td></tr> <tr><td>18:</td><td>10.6x</td><td style="text-align: right;">↓</td></tr> <tr><td>19:</td><td>10.6x</td><td style="text-align: right;">←</td></tr> <tr><td>20:</td><td>10.2</td><td style="text-align: right;">←</td></tr> <tr><td colspan="2"><b>Serie</b></td><td style="text-align: right;"><b>100.0</b></td></tr> <tr><td colspan="2"><b>Total</b></td><td style="text-align: right;"><b>199.0</b></td></tr> </table>	11:	10.2	←	12:	10.6x	→	13:	10.3	↙	14:	10.5	↓	15:	10.7x	↙	16:	10.3	←	17:	10.6x	↙	18:	10.6x	↓	19:	10.6x	←	20:	10.2	←	<b>Serie</b>		<b>100.0</b>	<b>Total</b>		<b>199.0</b>
11:	10.2	←																																			
12:	10.6x	→																																			
13:	10.3	↙																																			
14:	10.5	↓																																			
15:	10.7x	↙																																			
16:	10.3	←																																			
17:	10.6x	↙																																			
18:	10.6x	↓																																			
19:	10.6x	←																																			
20:	10.2	←																																			
<b>Serie</b>		<b>100.0</b>																																			
<b>Total</b>		<b>199.0</b>																																			



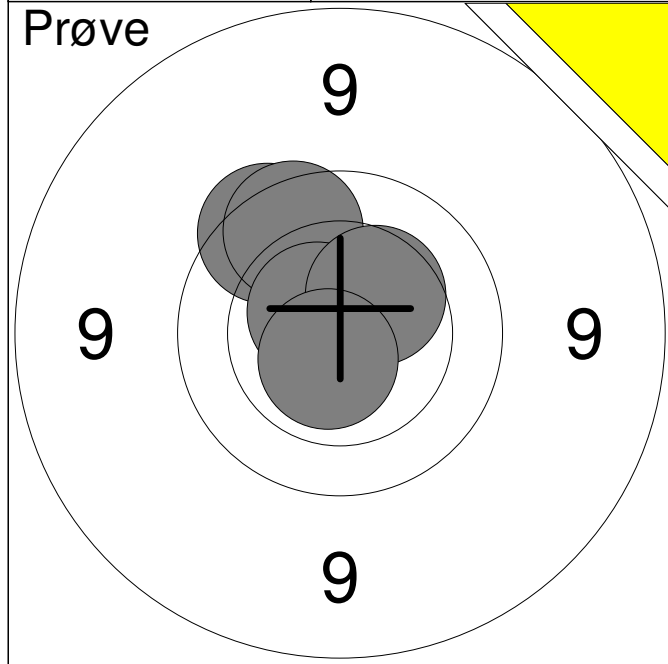
1:	9.2	↙
2:	10.3	↗
3:	10.1	→
4:	10.6x	↘
5:	10.2	←
6:	9.9	←
7:	10.3	↖
<b>Serie</b>		<b>68.0</b>
<b>Total</b>		<b>0.0</b>



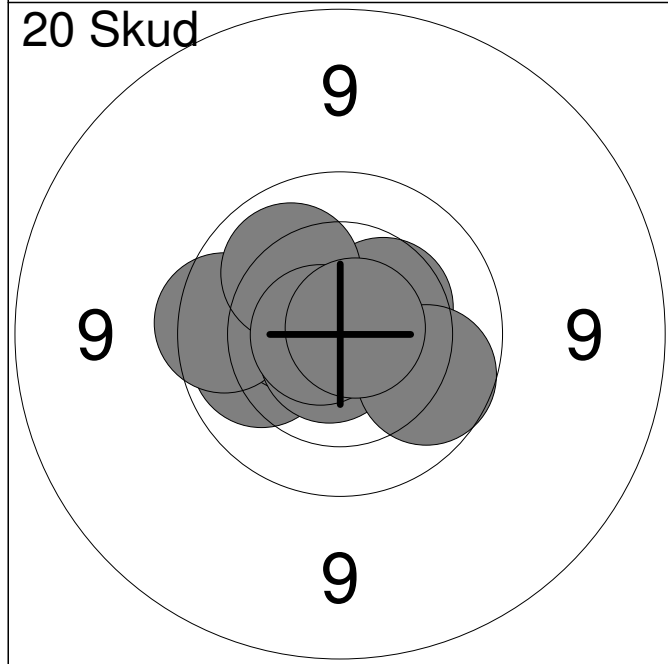
1:	9.9	↑
2:	10.1	↙
3:	10.0	←
4:	10.6x	↘
5:	10.3	↗
6:	10.8x	↗
7:	10.5	↑
8:	10.7x	↘
9:	10.1	↗
10:	10.0	↘
<b>Serie</b>		<b>99.0</b>
<b>Total</b>		<b>99.0</b>



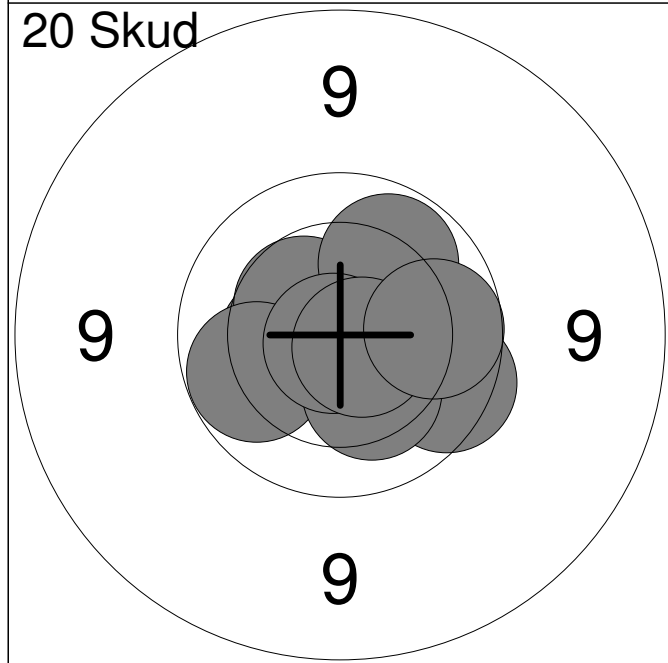
11:	10.1	↑
12:	10.1	↙
13:	10.4	↗
14:	10.1	←
15:	10.4	←
16:	10.0	→
17:	10.7x	↘
18:	10.3	↗
19:	10.2	↑
20:	10.6x	↑
<b>Serie</b>		<b>100.0</b>
<b>Total</b>		<b>199.0</b>



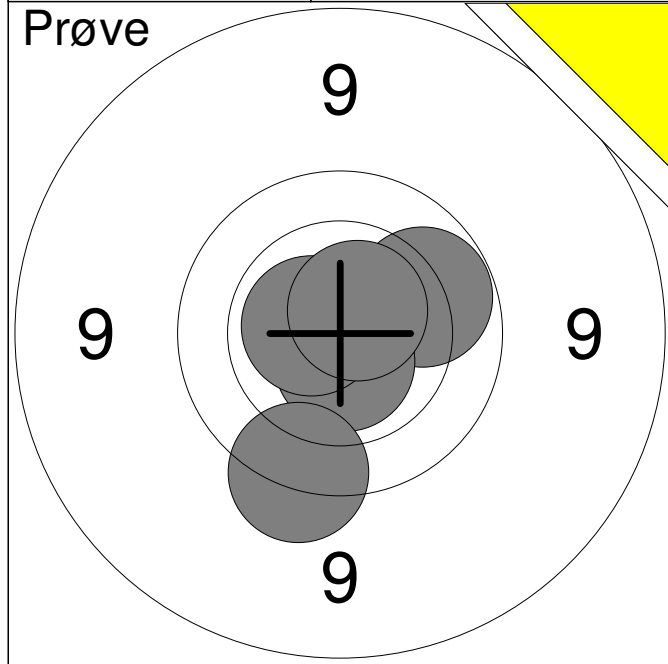
1:	10.6x	↗
2:	9.8	↗
3:	9.8	↗
4:	10.6x	↗
5:	10.4	↗
6:	10.6x	↘
<b>Serie</b>		<b>58.0</b>
<b>Total</b>		<b>0.0</b>



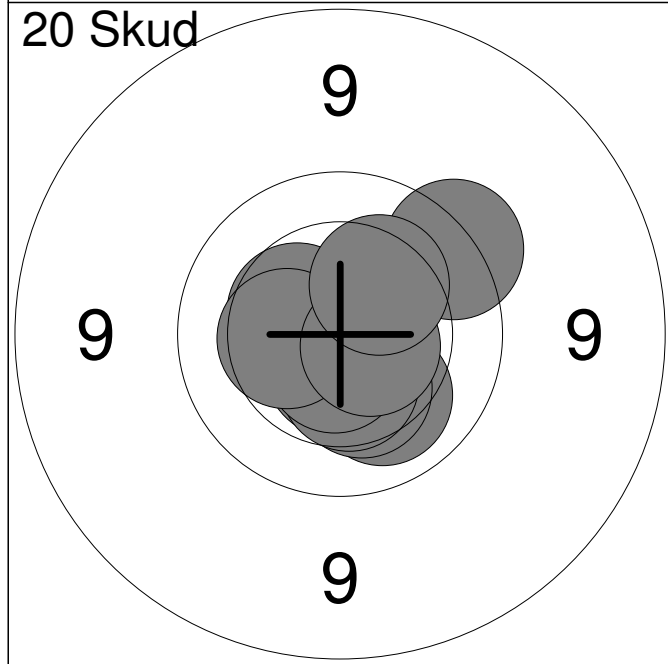
1:	10.3	←
2:	10.1	←
3:	10.4	↗
4:	10.5	←
5:	9.8	←
6:	10.7x	↘
7:	10.1	↗
8:	9.9	↘
9:	10.7x	←
10:	10.8x	↗
<b>Serie</b>		<b>98.0</b>
<b>Total</b>		<b>98.0</b>



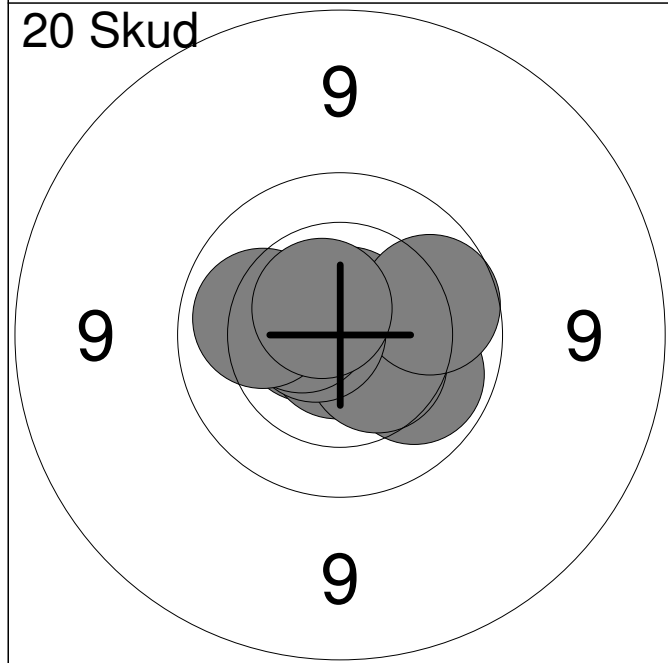
11:	9.8	↘
12:	10.4	←
13:	10.4	↗
14:	10.3	↗
15:	10.0	←
16:	10.0	↗
17:	10.3	↘
18:	10.8x	↘
19:	10.7x	↘
20:	9.9	→
<b>Serie</b>		<b>98.0</b>
<b>Total</b>		<b>196.0</b>



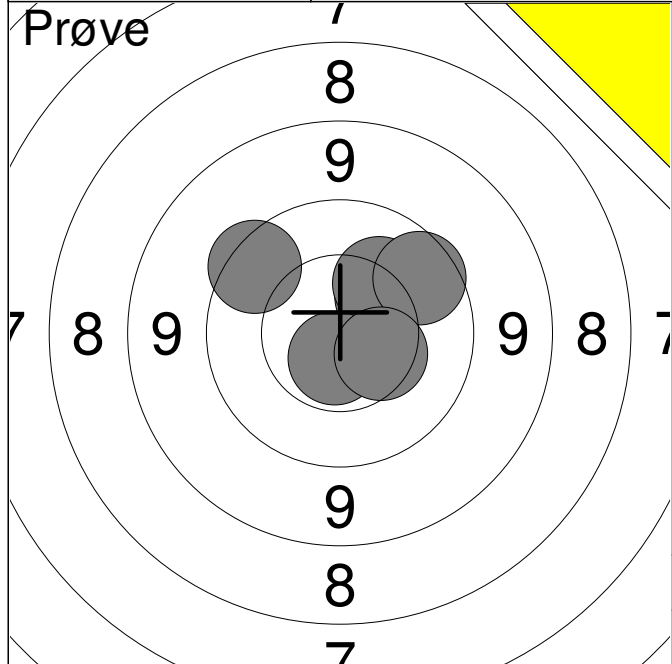
1:	10.0	↗
2:	10.6x	↓
3:	10.6x	↖
4:	9.6	↓
5:	10.6x	↗
<b>Serie</b>		<b>49.0</b>
<b>Total</b>		<b>0.0</b>



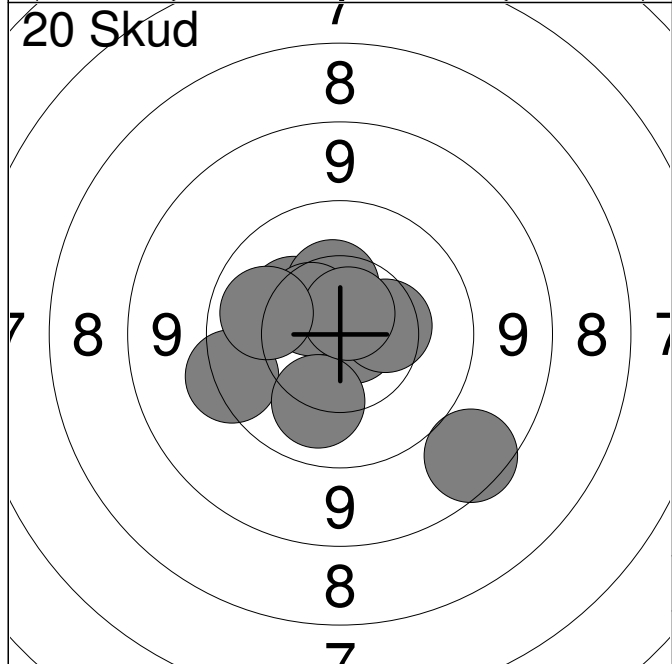
1:	10.1	↓
2:	10.3	↓
3:	10.6x	↓
4:	10.4	↖
5:	10.4	↓
6:	10.6x	↓
7:	9.6	↗
8:	10.4	↖
9:	10.6x	↗
10:	10.3	↗
<b>Serie</b>		<b>99.0</b>
<b>Total</b>		<b>99.0</b>



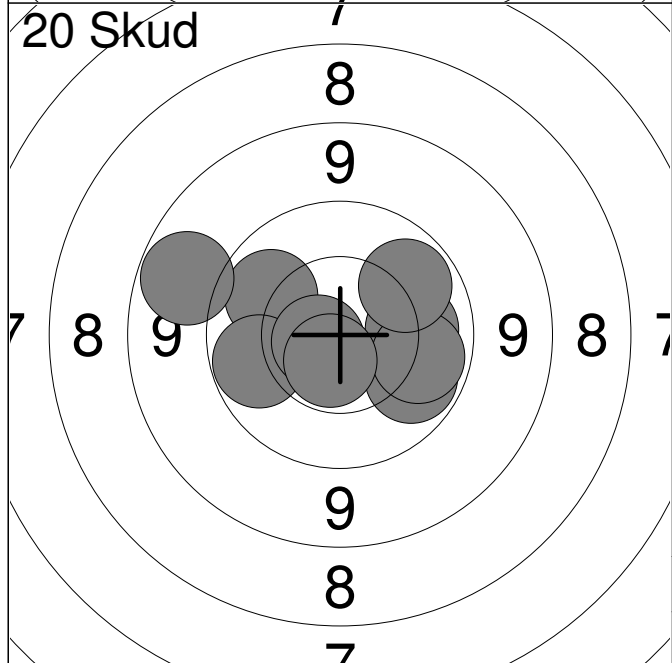
11:	10.0	↘
12:	10.6x	↖
13:	10.8x	↓
14:	10.7x	↗
15:	10.4	↓
16:	9.9	↗
17:	10.7x	↖
18:	10.5x	↖
19:	10.1	↖
20:	10.6x	↗
<b>Serie</b>		<b>99.0</b>
<b>Total</b>		<b>198.0</b>



1:	10.3	↗
2:	10.2	↗
3:	9.7	↗
4:	9.8	↗
5:	10.7x	↓
6:	10.4	↘
<b>Serie</b>		<b>58.0</b>
<b>Total</b>		<b>0.0</b>

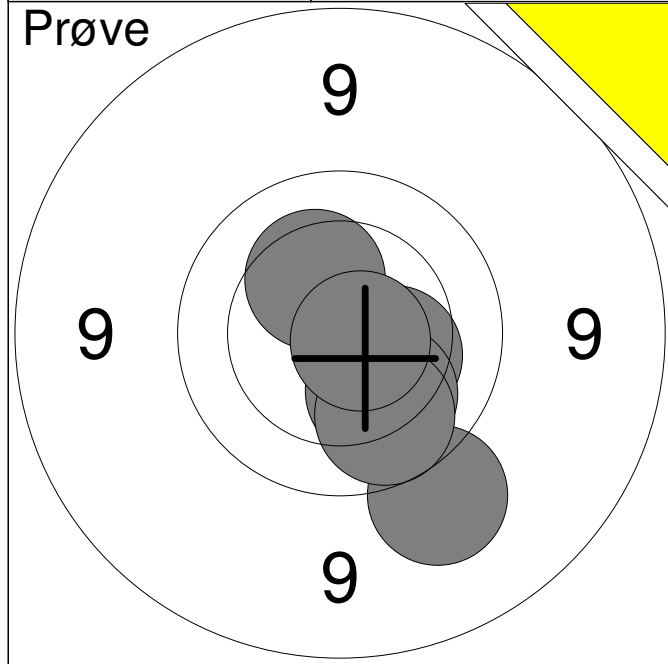


1:	8.8	↘
2:	10.3	↗
3:	10.4	↑
4:	10.8x	→
5:	10.5	↗
6:	10.4	→
7:	9.6	←
8:	10.1	↓
9:	10.7x	↑
10:	10.1	←
<b>Serie</b>		<b>97.0</b>
<b>Total</b>		<b>97.0</b>

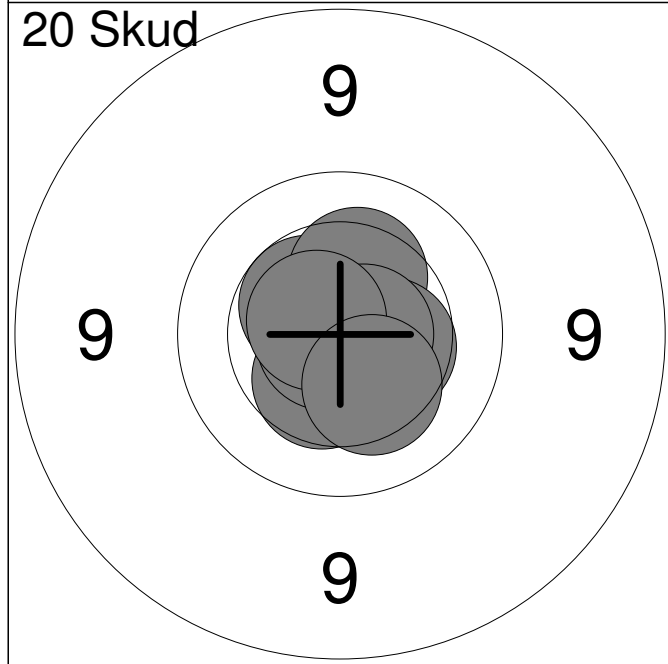


11:	10.4	←
12:	10.0	↘
13:	10.1	→
14:	10.0	→
15:	10.0	↗
16:	10.0	↗
17:	9.0	←
18:	10.0	←
19:	10.7x	←
20:	10.6x	↓
<b>Serie</b>		<b>99.0</b>
<b>Total</b>		<b>196.0</b>

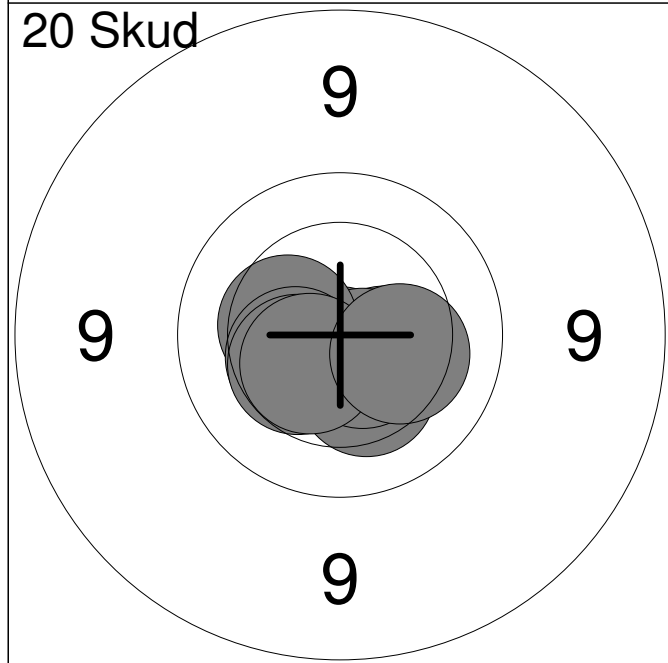




1:	9.4	↘
2:	10.2	↘
3:	10.3	↘
4:	10.1	↘
5:	9.9	↘
6:	10.3	↗
7:	10.7x	↘
<b>Serie</b>		<b>68.0</b>
<b>Total</b>		<b>0.0</b>



1:	10.4	↘
2:	10.8x	↗
3:	10.7x	↗
4:	10.5x	↗
5:	10.8x	↖
6:	10.3	↗
7:	10.4	→
8:	10.7x	→
9:	10.7x	↗
10:	10.3	↘
<b>Serie</b>		<b>100.0</b>
<b>Total</b>		<b>100.0</b>



11:	10.5	←
12:	10.7x	↘
13:	10.4	↘
14:	10.3	↘
15:	10.6x	↘
16:	10.4	←
17:	10.4	↖
18:	10.4	↖
19:	10.5x	↖
20:	10.3	→
<b>Serie</b>		<b>100.0</b>
<b>Total</b>		<b>200.0</b>

Hold <b>19</b>	Skive <b>8</b>	
-------------------	-------------------	--

Vesterkæret		
-------------	--	--

15m stævne oktober 2015 Aalborg Skyttekreds

**Prøve**

9

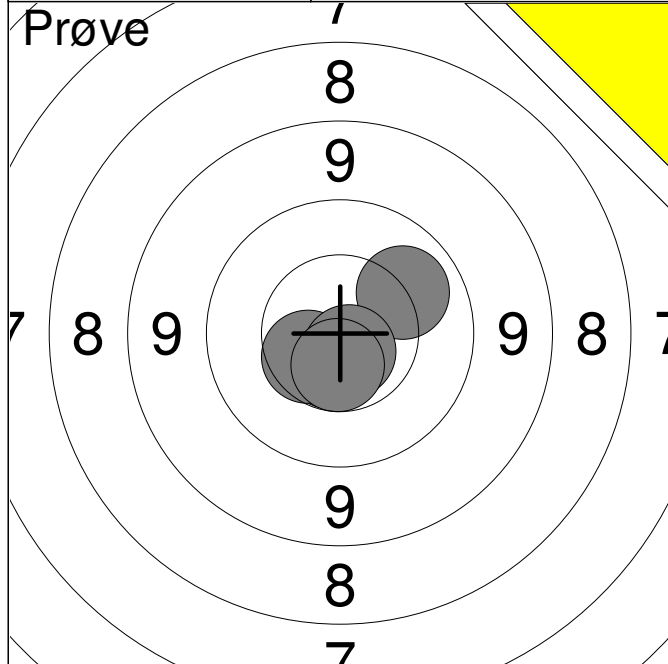
9

9

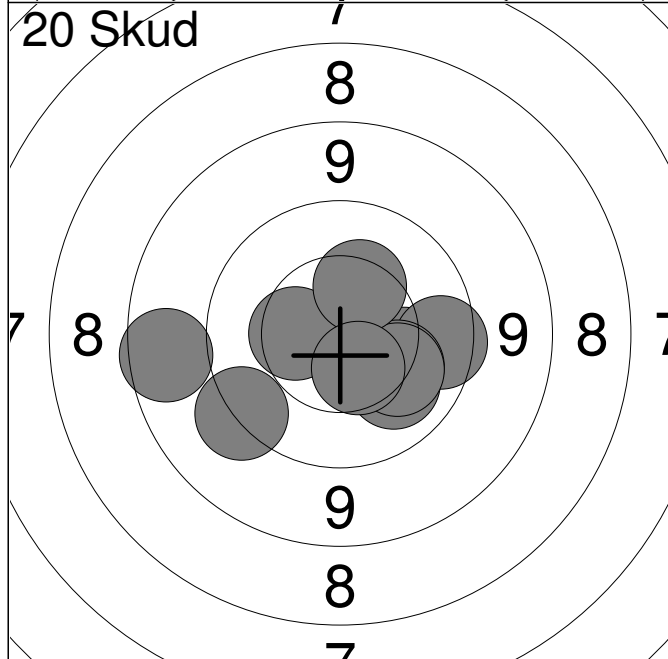
--

Serie	0
-------	---

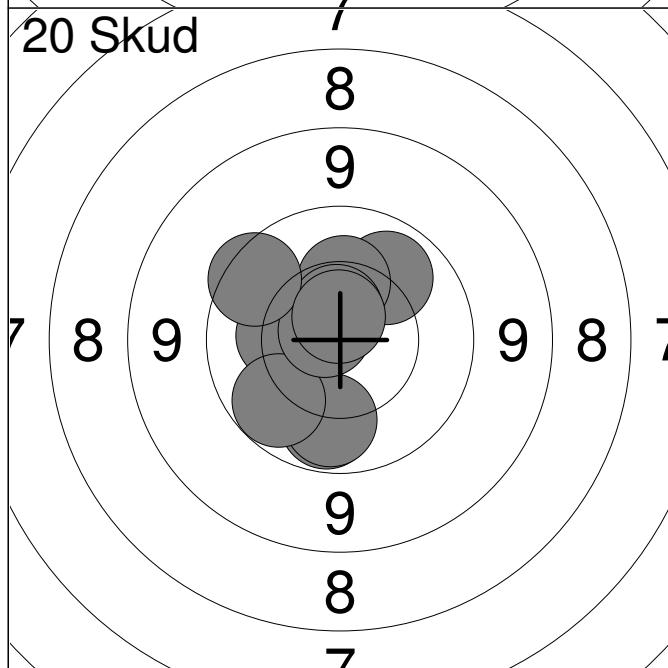
Total	0
-------	---



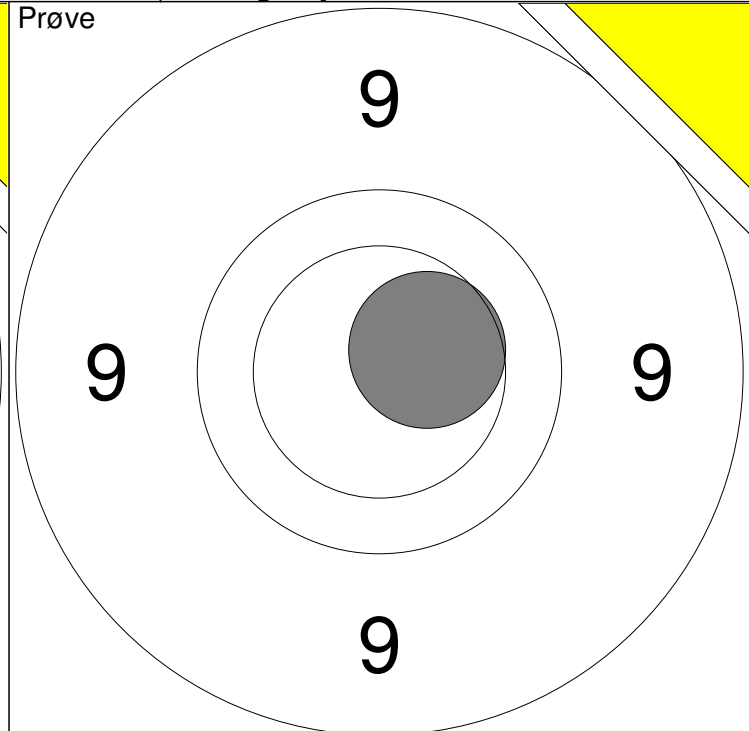
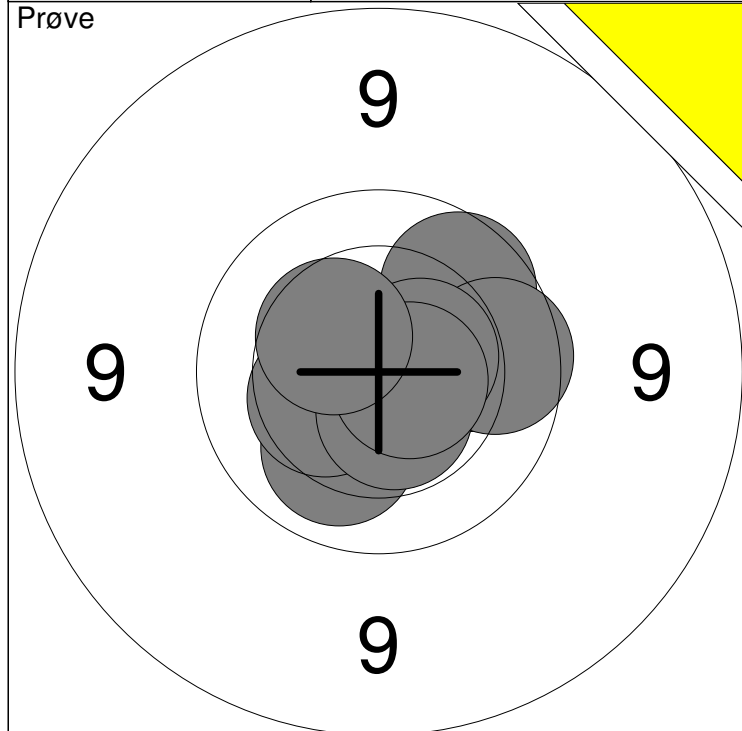
1:	10.6x	↓
2:	10.1	↗
3:	10.5	↙
4:	10.7x	↓
5:	10.6	↓
<b>Serie</b>		<b>50.0</b>
<b>Total</b>		<b>0.0</b>



1:	10.2	→
2:	10.4	←
3:	9.8	→
4:	10.2	↘
5:	10.1	↘
6:	10.2	↘
7:	10.4	↗
8:	10.5	↓
9:	8.8	←
10:	9.4	↙
<b>Serie</b>		<b>96.0</b>
<b>Total</b>		<b>96.0</b>

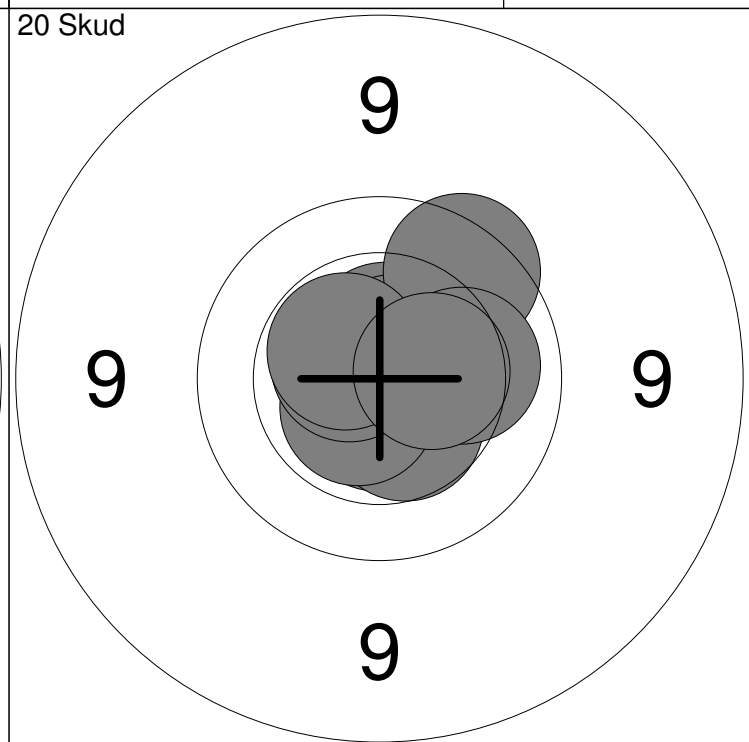
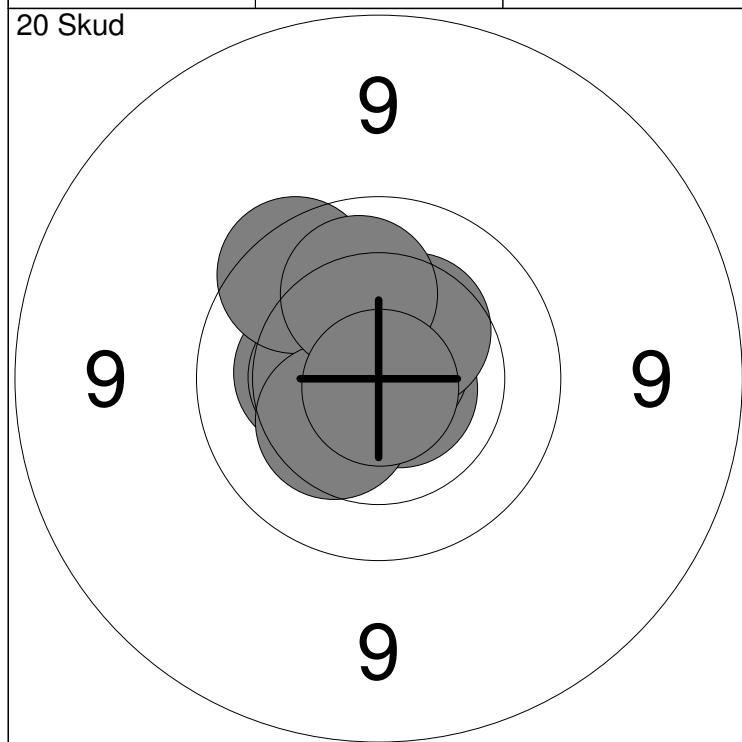


11:	10.0	↓
12:	10.0	↓
13:	10.1	↗
14:	10.3	←
15:	10.3	↑
16:	10.6x	↑
17:	10.0	↙
18:	10.7x	↗
19:	9.7	↗
20:	10.7x	↑
<b>Serie</b>		<b>99.0</b>
<b>Total</b>		<b>195.0</b>



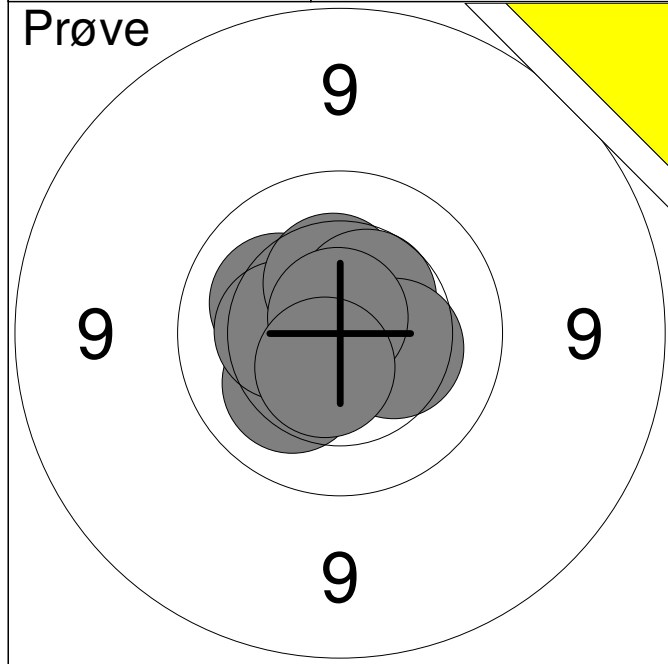
1: 10.0 →	6: 10.4 ←	Serie	98
2: 9.9 ↗	7: 10.5x ↓		
3: 9.9 →	8: 10.5x →	Total	0
4: 10.1 ↓	9: 10.6x →		
5: 10.7x ↓	10: 10.4 ↖		

11: 10.4 →		Serie	10
		Total	0

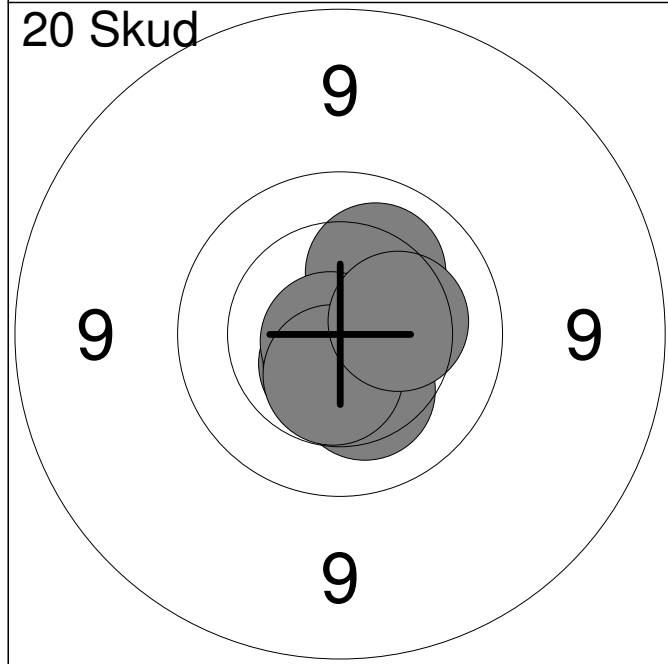


1: 10.6x ↗	6: 10.4 ↗	Serie	99
2: 10.7x ↓	7: 9.8 ↗		
3: 10.3 ←	8: 10.4 ↓	Total	99
4: 10.4 ←	9: 10.1 ↗		
5: 10.8x ↗	10: 10.9x ↓		

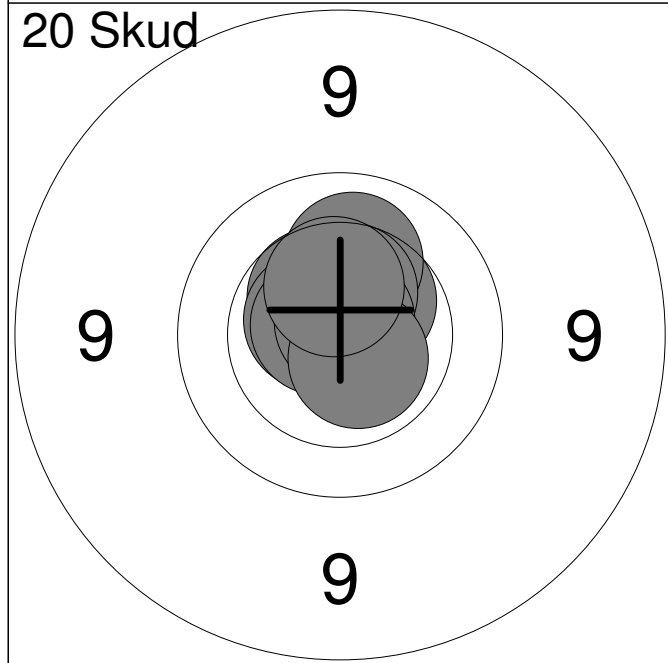
11: 10.6x ↓	16: 10.1 →	Serie	99
12: 10.6x ↑	17: 10.6x ↓		
13: 10.7x ↗	18: 10.6x ←	Total	198
14: 10.5 ↓	19: 10.5x ↖		
15: 9.8 ↗	20: 10.4 →		



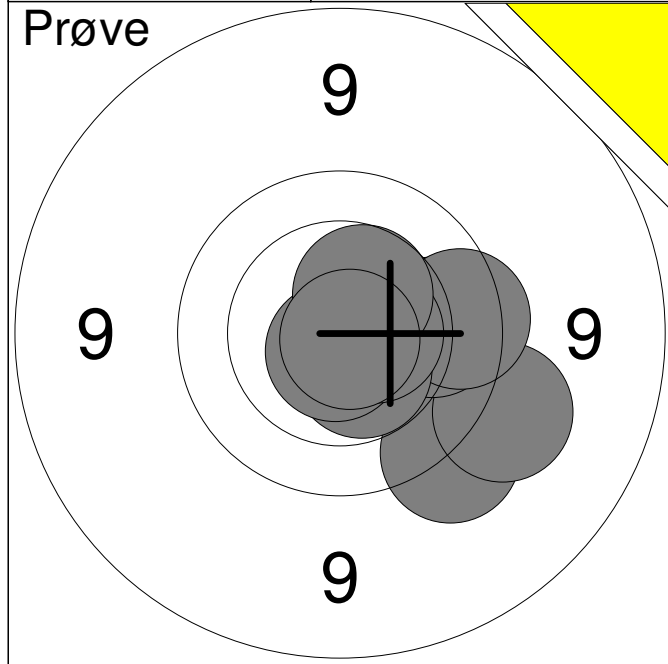
1:	10.2	↙
2:	10.2	↖
3:	10.3	←
4:	10.4	↑
5:	10.5	↗
6:	10.4	→
7:	10.8x	↑
8:	10.5x	↘
<b>Serie</b>		<b>80.0</b>
<b>Total</b>		<b>0.0</b>



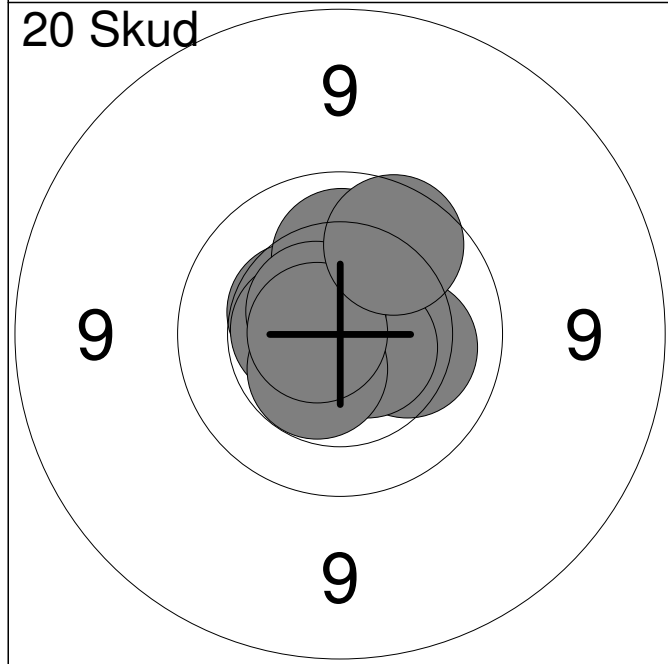
1:	10.7x	→
2:	10.8x	↘
3:	10.2	↗
4:	10.6x	→
5:	10.6x	↘
6:	10.6x	↘
7:	10.3	↘
8:	10.8x	↖
9:	10.5x	↘
10:	10.3	→
<b>Serie</b>		<b>100.0</b>
<b>Total</b>		<b>100.0</b>



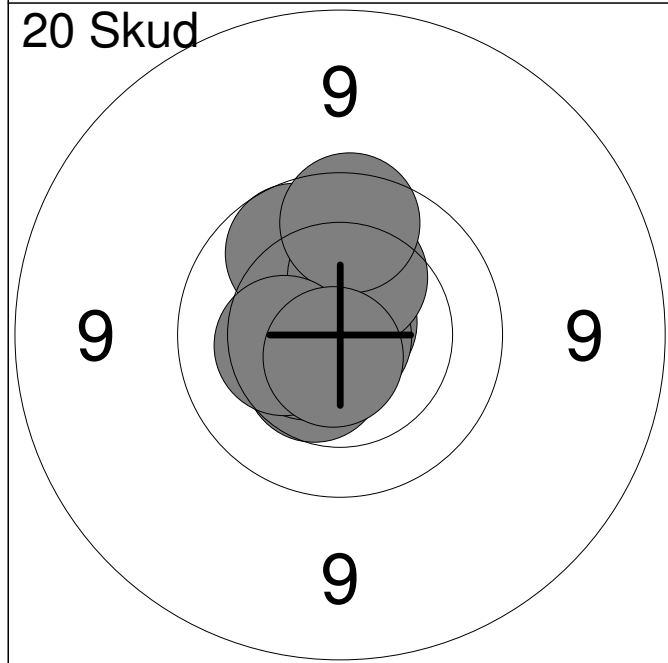
11:	10.5	↗
12:	10.5	↖
13:	10.2	↑
14:	10.5	↑
15:	10.6x	↖
16:	10.9x	→
17:	10.7x	↖
18:	10.8x	↑
19:	10.6x	↘
20:	10.4	↑
<b>Serie</b>		<b>100.0</b>
<b>Total</b>		<b>200.0</b>



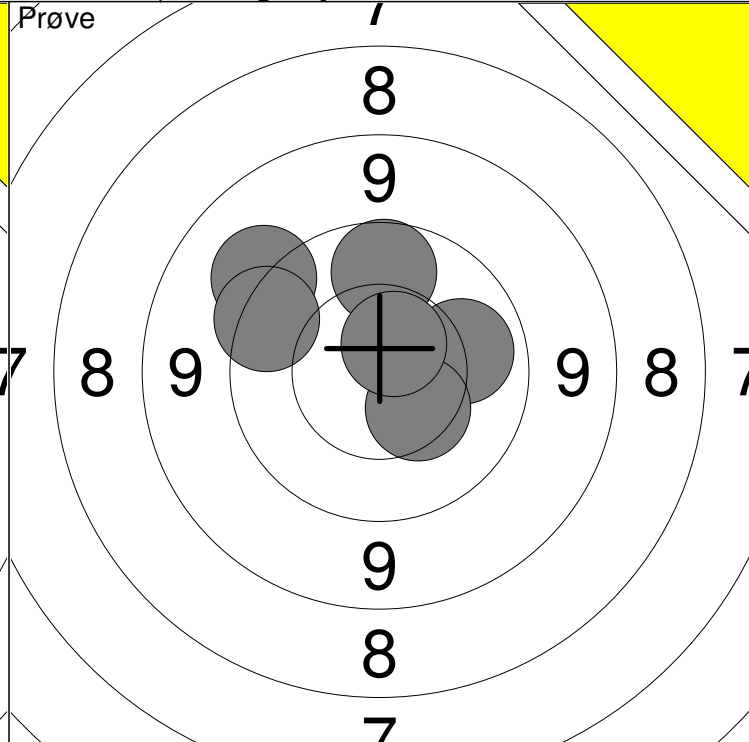
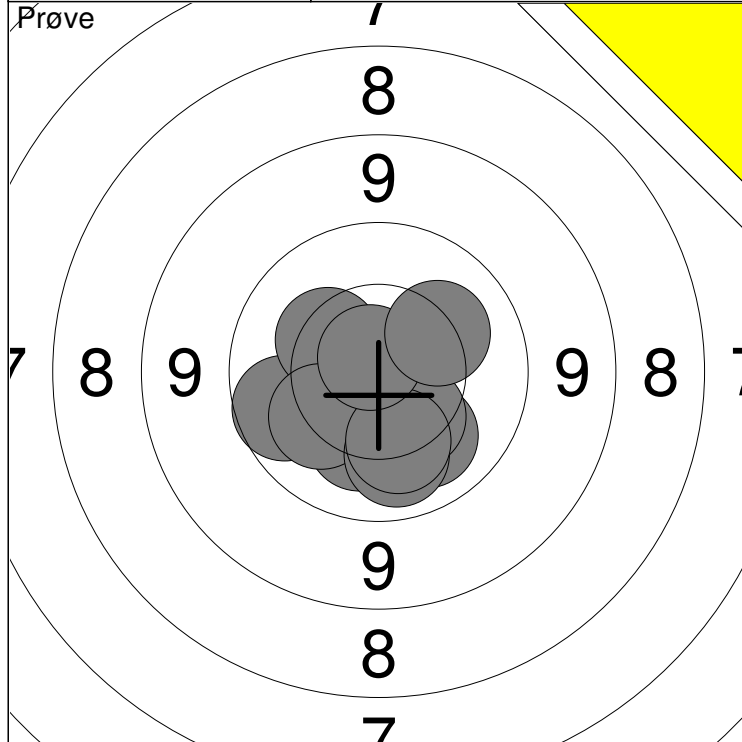
1:	9.5	↘
2:	9.4	↘
3:	10.0	→
4:	9.8	→
5:	10.5x	↘
6:	10.8x	↘
7:	10.6x	→
8:	10.5	↗
9:	10.8x	↘
<b>Serie</b>		<b>87.0</b>
<b>Total</b>		<b>0.0</b>



1:	10.4	↖
2:	10.2	→
3:	10.1	↑
4:	10.7x	←
5:	10.6x	↘
6:	10.5x	←
7:	10.6x	↗
8:	10.5x	↘
9:	10.7x	←
10:	9.9	↗
<b>Serie</b>		<b>99.0</b>
<b>Total</b>		<b>99.0</b>

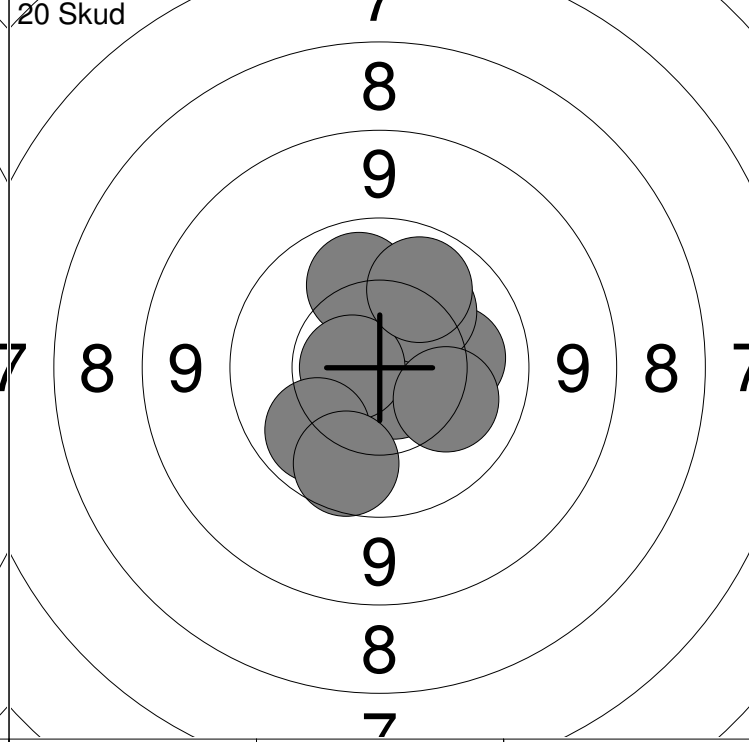
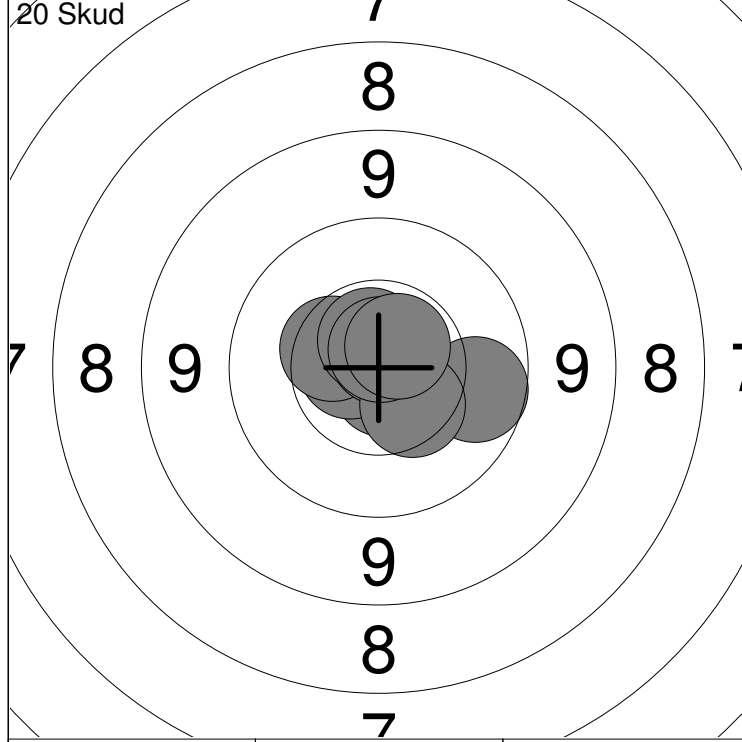


11:	10.8x	↗
12:	10.5	↘
13:	10.9x	↑
14:	10.9x	↘
15:	9.9	↗
16:	10.6x	←
17:	10.3	↑
18:	9.8	↑
19:	10.3	←
20:	10.7x	↘
<b>Serie</b>		<b>98.0</b>
<b>Total</b>		<b>197.0</b>



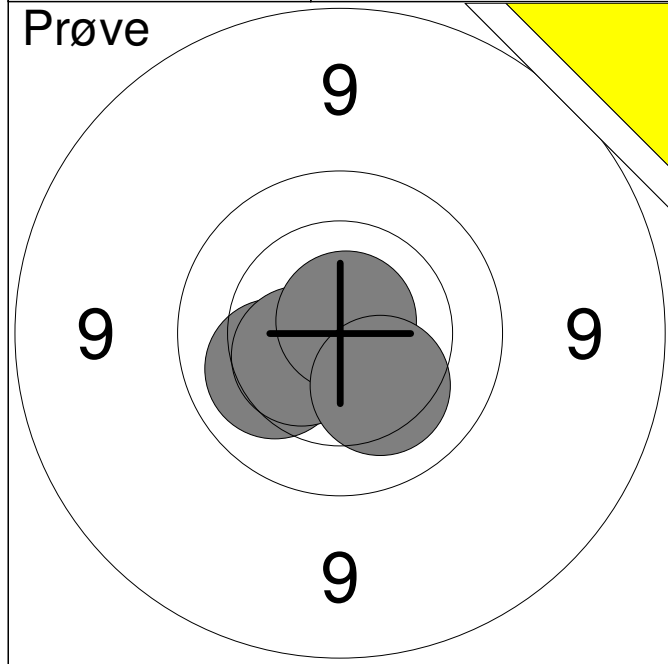
1: 9.9 ←	6: 10.1 ↓	Serie 99
2: 10.2 ↓	7: 10.4 ↓	
3: 10.3 ↗	8: 10.2 ↓	Total 0
4: 10.2 ↙	9: 10.8x ↗	
5: 10.1 ↓	10: 10.2 ↗	

11: 10.1 →	16: 10.6x ↗	Serie 57
12: 9.4 ↗	13: 9.6 ↗	
14: 9.9 ↑	15: 10.4 ↓	Total 0

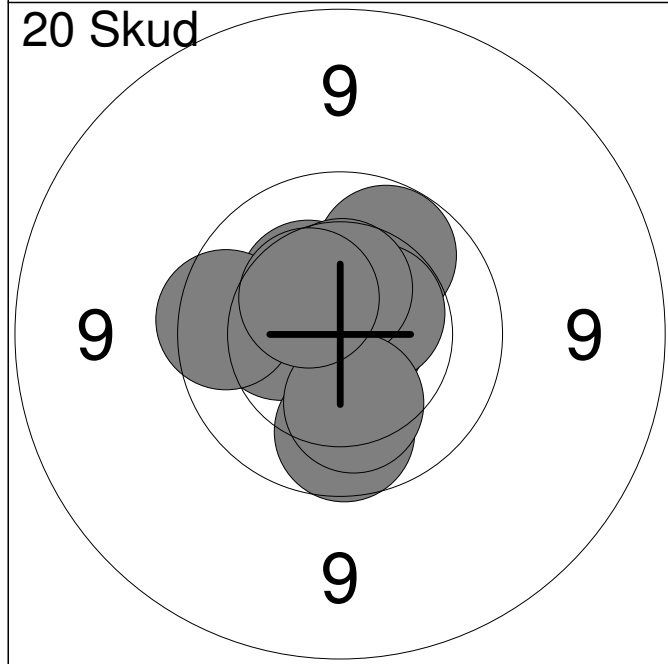


1: 9.9 →	6: 10.8x ↑	Serie 99
2: 10.9x ↓	7: 10.4 ↓	
3: 10.8x ↓	8: 10.7x ↑	Total 99
4: 10.7x ←	9: 10.8x ↑	
5: 10.4 ←	10: 10.7x ↗	

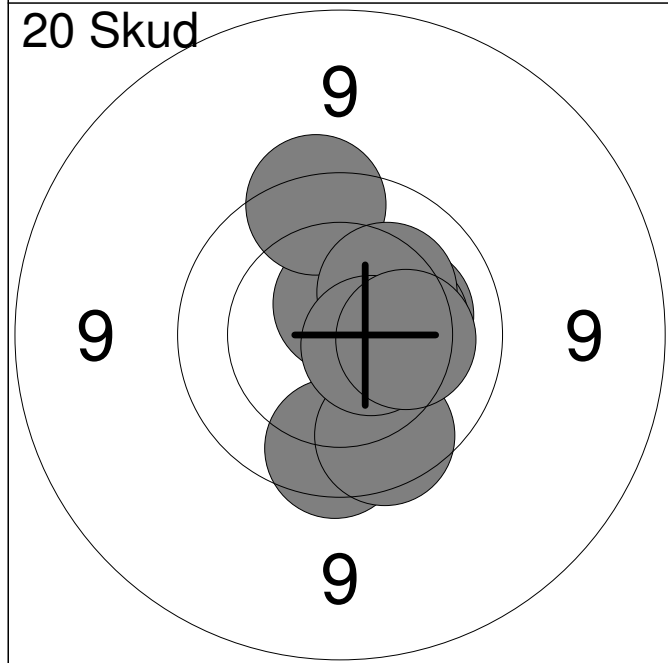
11: 10.7x ↓	16: 10.7x ←	Serie 99
12: 10.2 →	17: 10.0 ↗	
13: 10.6 ↑	18: 10.2 ↘	Total 198
14: 10.2 ↗	19: 10.0 ↙	
15: 10.1 ↑	20: 9.9 ↓	



1:	10.2	↙
2:	10.5	↙
3:	10.8x	↗
4:	10.2	↘
<b>Serie</b>		<b>40.0</b>
<b>Total</b>		<b>0.0</b>

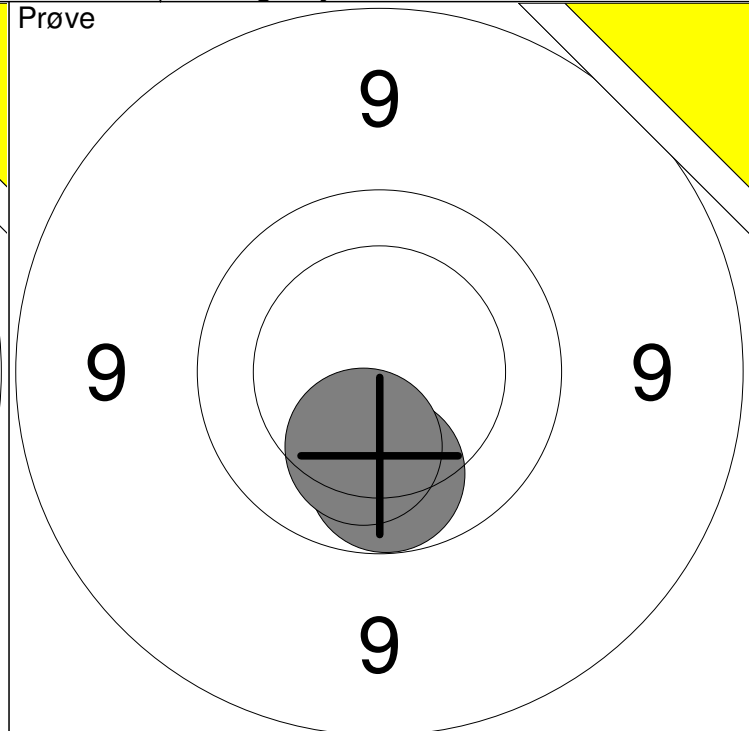
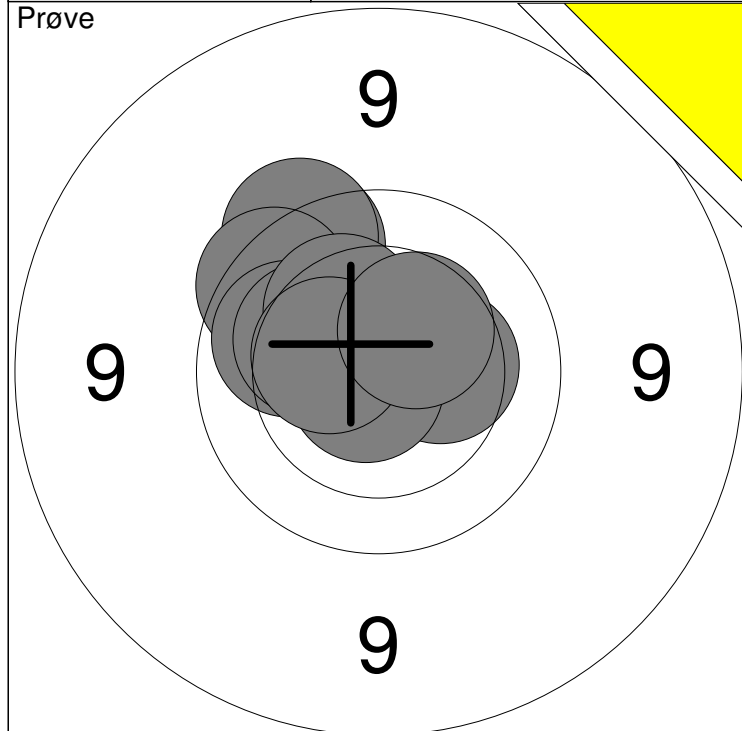


1:	10.8x	→
2:	10.3	←
3:	10.0	↗
4:	10.5x	↗
5:	10.4	↗
6:	10.5	↑
7:	9.8	←
8:	9.9	↓
9:	10.2	↓
10:	10.4	↗
<b>Serie</b>		<b>98.0</b>
<b>Total</b>		<b>98.0</b>



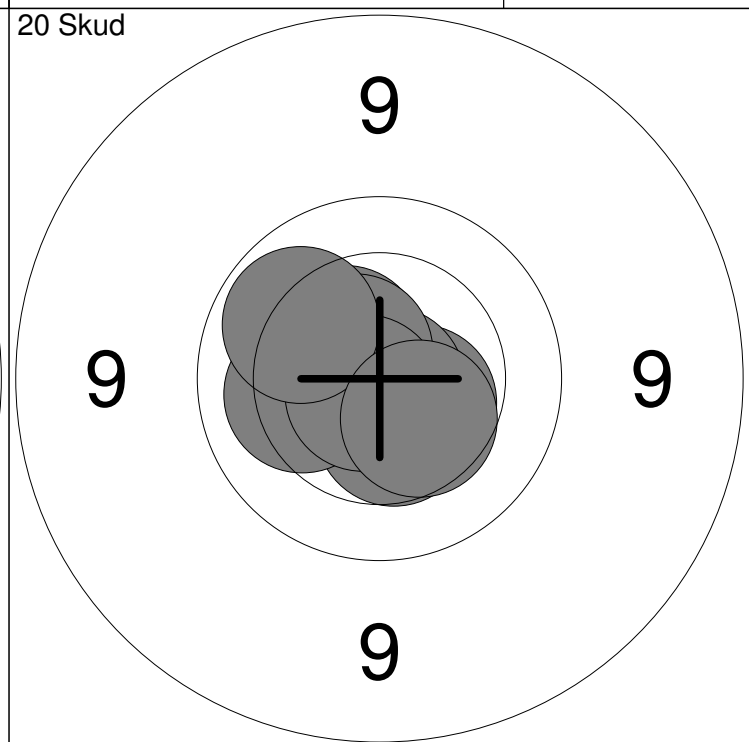
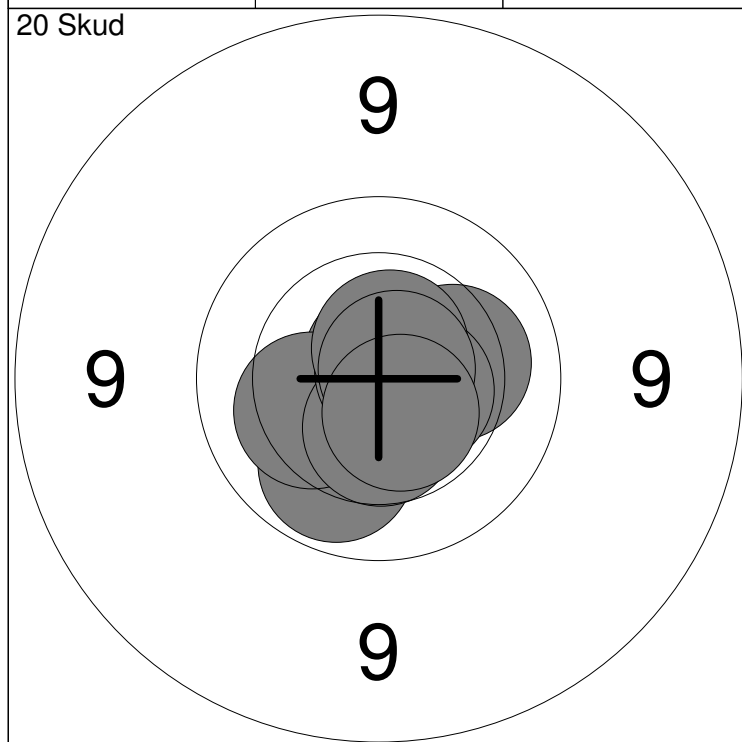
11:	10.6x	↑
12:	10.3	→
13:	10.2	→
14:	10.3	→
15:	9.8	↓
16:	9.7	↑
17:	10.3	↗
18:	9.8	↓
19:	10.6x	→
20:	10.2	→
<b>Serie</b>		<b>97.0</b>
<b>Total</b>		<b>195.0</b>





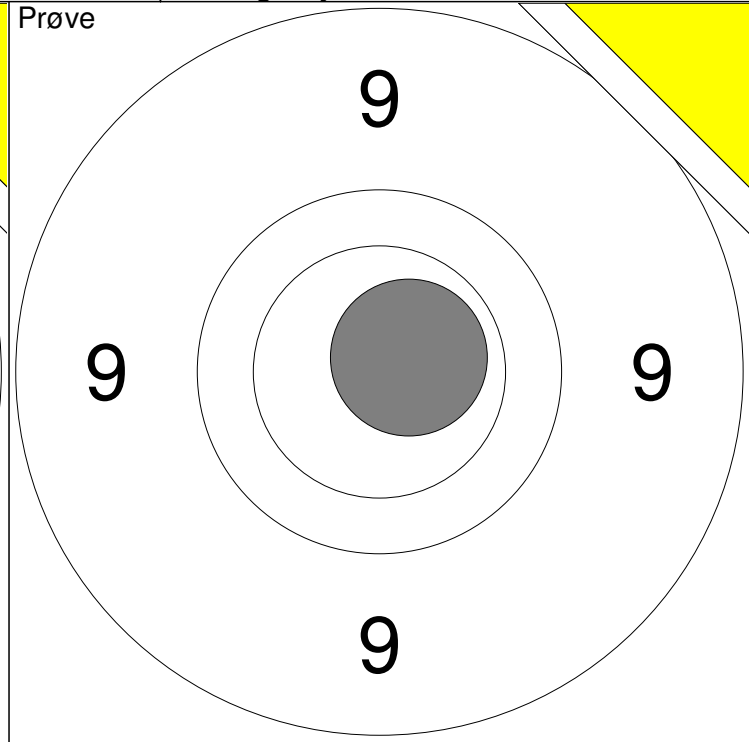
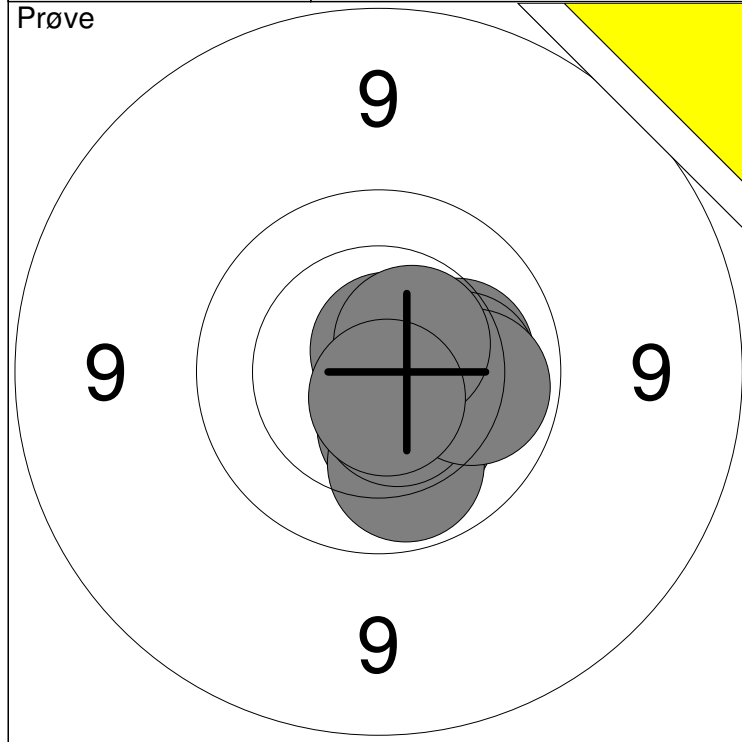
1: 9.7 ↗	6: 10.2 ↗	Serie	97
2: 9.7 ↗	7: 10.3 ↗		
3: 9.8 ↗	8: 10.8x ↘	Total	0
4: 10.0 ↖	9: 10.4 ↖		
5: 10.3 →	10: 10.4 ↗		

11: 10.0 ↓	Serie	20
12: 10.2 ↓		
Total		0



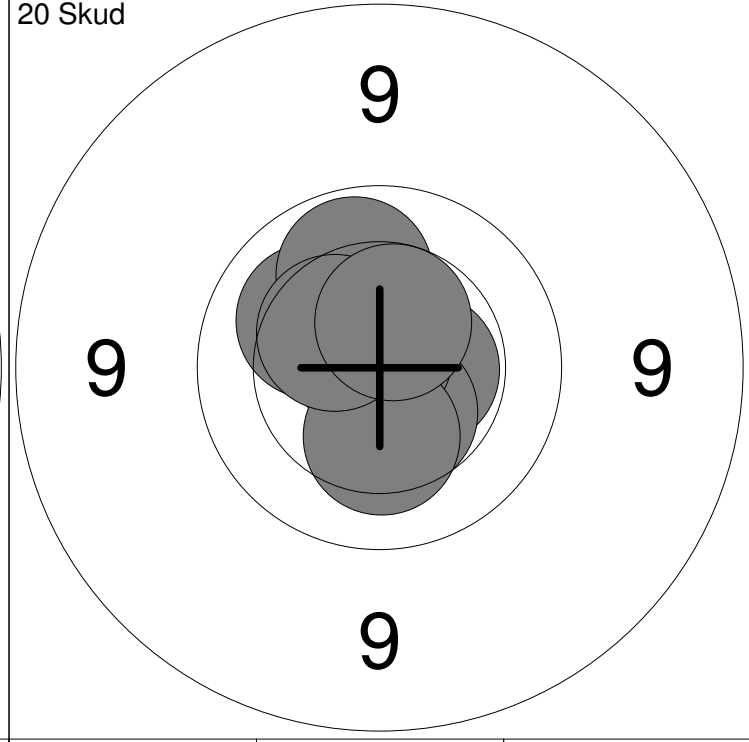
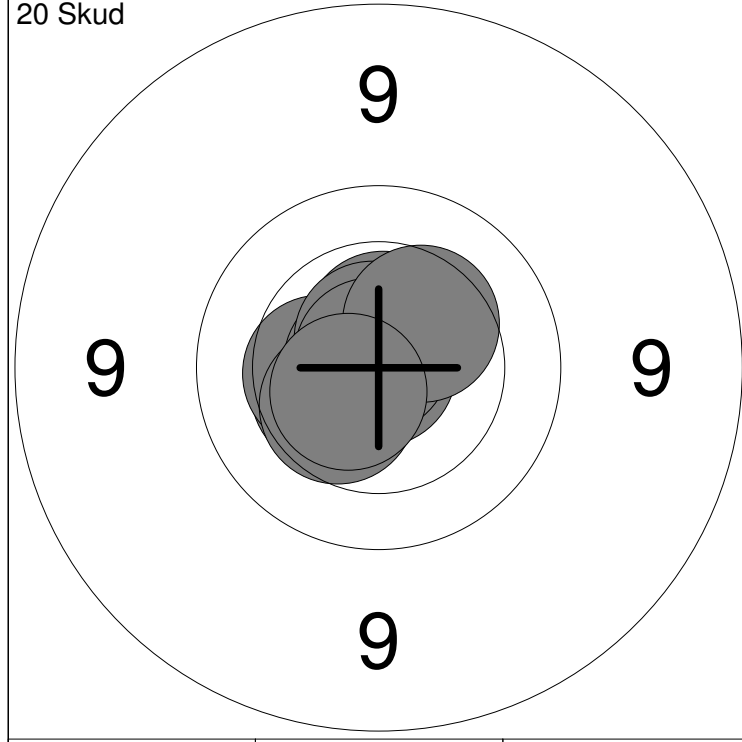
1: 10.8x ↑	6: 10.8x ↗	Serie	100
2: 10.0 ↓	7: 10.6x →		
3: 10.2 →	8: 10.6x ↗	Total	100
4: 10.2 ↖	9: 10.7x ↗		
5: 10.5 ↓	10: 10.6x ↘		

11: 10.5 ↓	16: 10.5 ↗	Serie	100
12: 10.2 ↖	17: 10.6x ↗		
13: 10.6x ↘	18: 10.7x ↘	Total	200
14: 10.5x ↘	19: 10.0 ↖		
15: 10.9x ↘	20: 10.4 ↓		



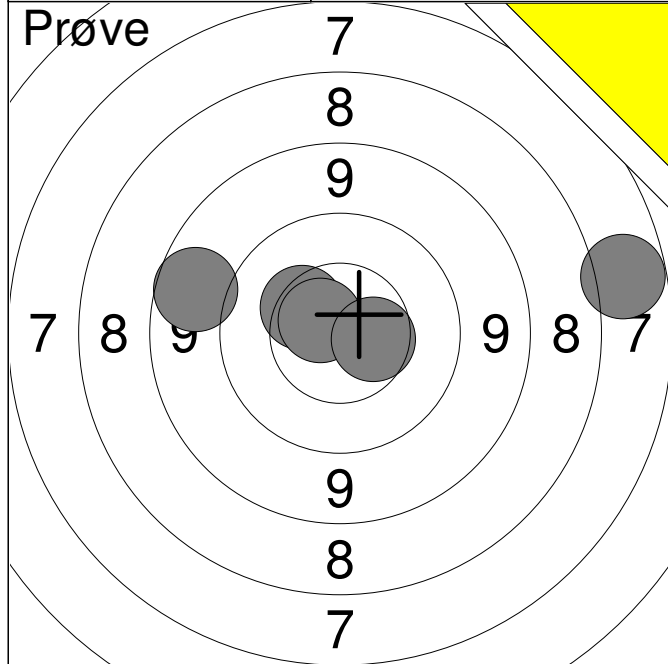
1: 10.3 ↘	6: 10.2 →	Serie	100
2: 10.4 ↘	7: 10.6x ↘		
3: 10.0 ↘	8: 10.0 →	Total	0
4: 10.2 →	9: 10.5x ↗		
5: 10.7x ↗	10: 10.7x ↘		

11: 10.6x ↗	Serie	10
	Total	0



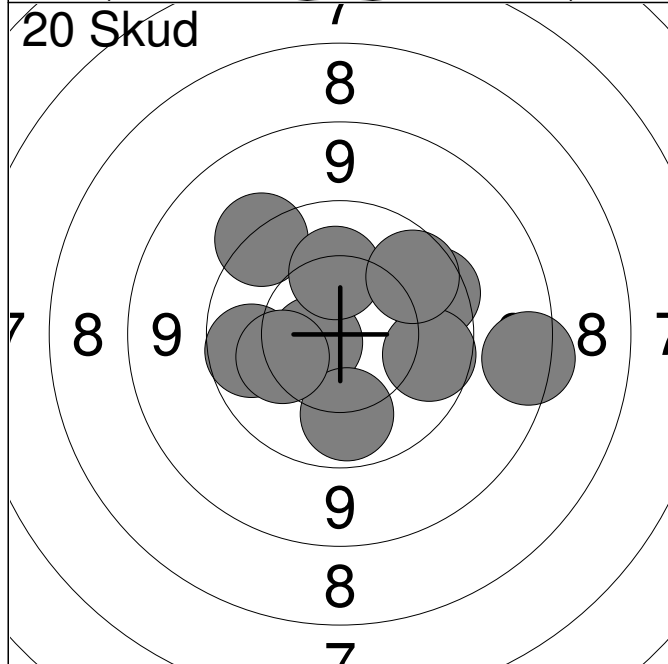
1: 10.4 ←	6: 10.7x ↗	Serie	100
2: 10.4 ←	7: 10.4 ↘		
3: 10.6x ↗	8: 10.8x ↗	Total	100
4: 10.8x ←	9: 10.4 ↗		
5: 10.9x ↘	10: 10.6x ↘		

11: 10.2 ↗	16: 10.8x ↗	Serie	100
12: 10.5x →	17: 10.3 ↘		
13: 10.7x ↗	18: 10.0 ↗	Total	200
14: 10.5 ↘	19: 10.4 ↘		
15: 10.4 ↗	20: 10.5x ↗		



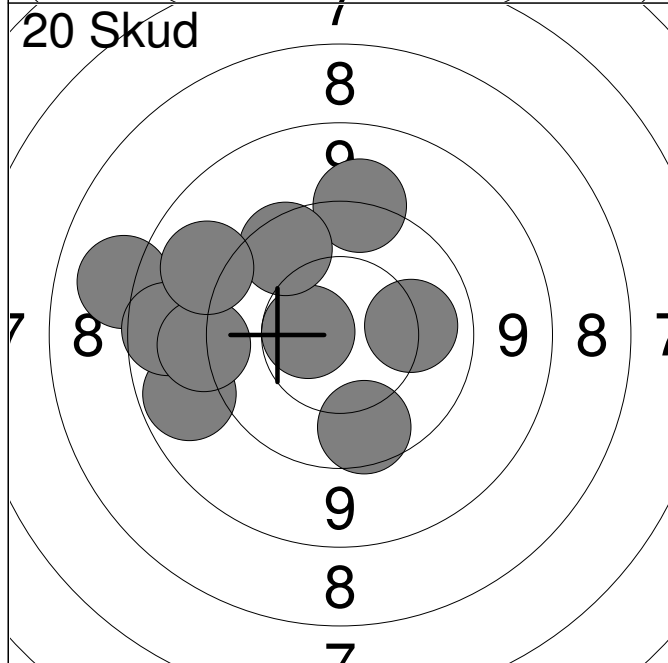
1:	7.0	→
2:	10.4	↗
3:	8.9	↖
4:	10.6x	↗
5:	10.5	→

Serie	45.0
Total	0.0



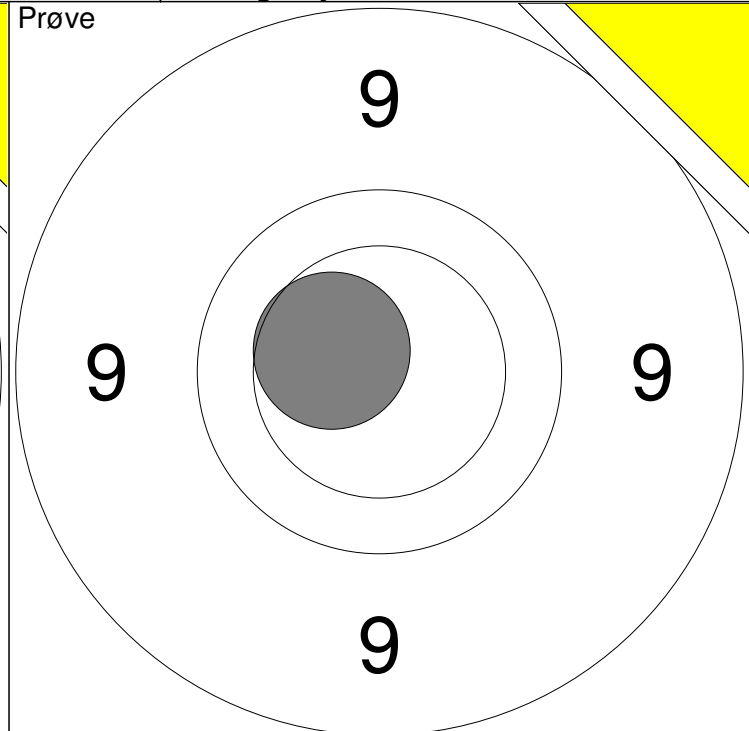
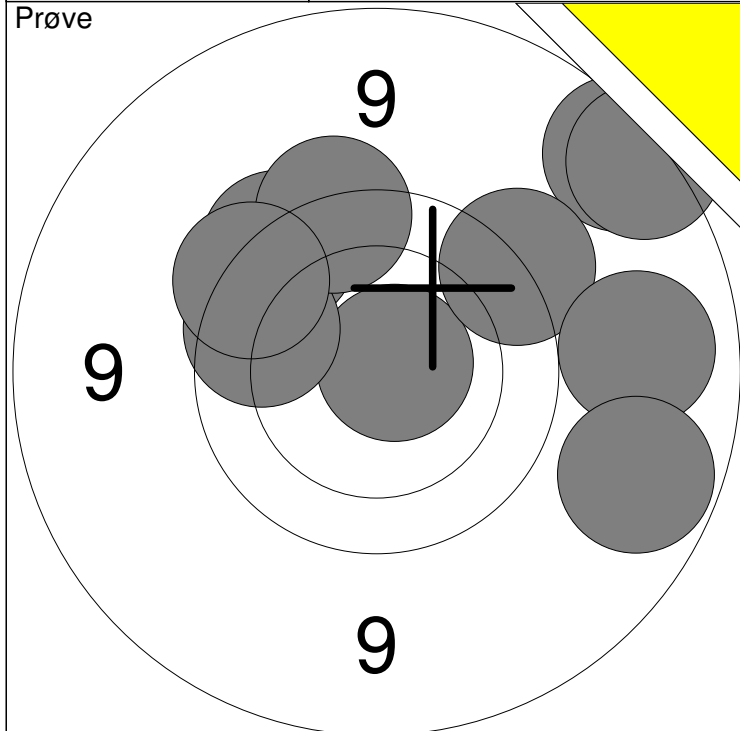
1:	9.7	↗
2:	9.9	←
3:	10.7x	←
4:	10.0	↓
5:	9.9	→
6:	9.5	↗
7:	10.2	←
8:	8.6	→
9:	10.2	↑
10:	9.9	↗

Serie	93.0
Total	93.0



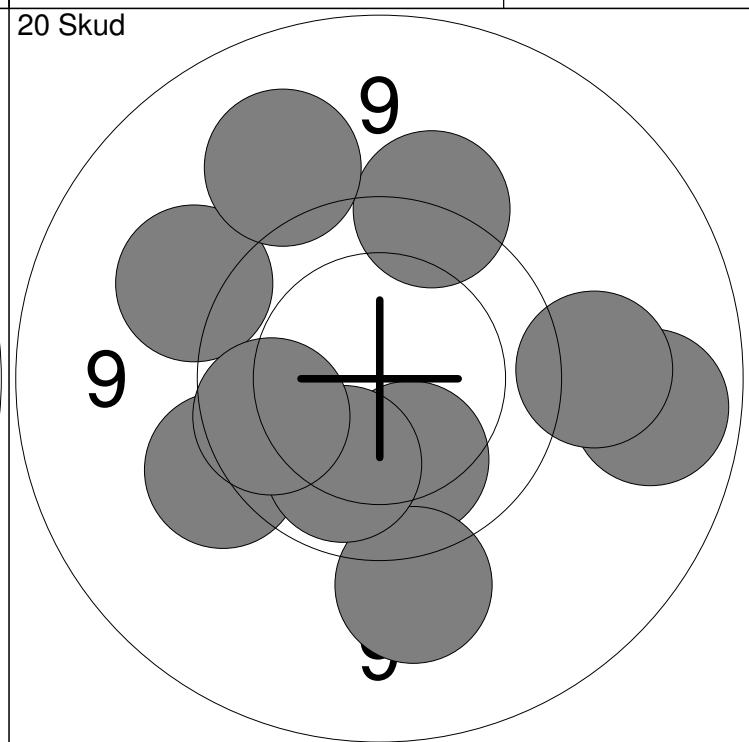
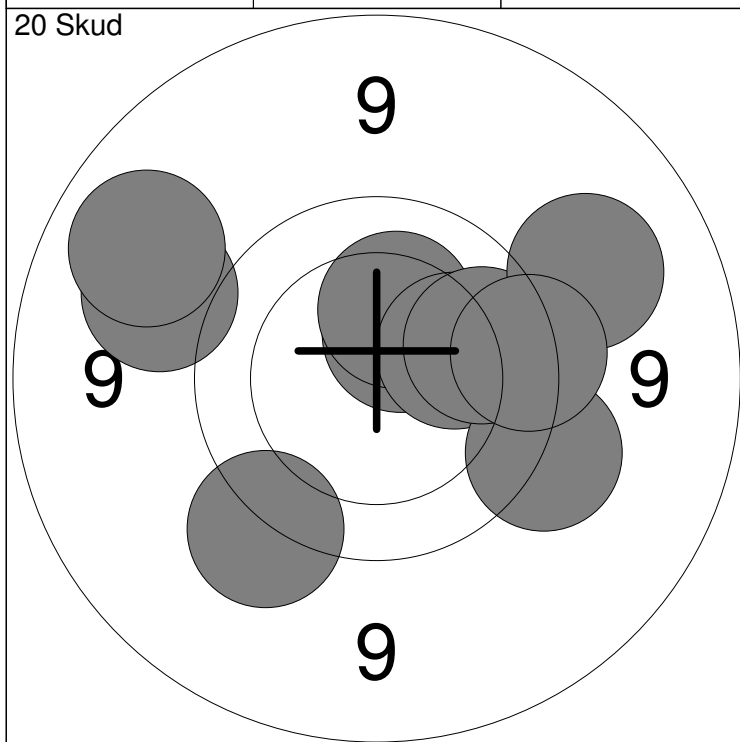
11:	9.0	←
12:	9.4	↑
13:	9.8	↓
14:	10.6	←
15:	8.2	←
16:	8.9	←
17:	9.3	←
18:	9.8	↗
19:	9.2	↖
20:	10.1	→

Serie	90.0
Total	183.0



1: 9.7 ↗	6: 9.1 →	Serie	89
2: 10.8x ↗	7: 9.6 ↗		
3: 8.8 ↗	8: 8.8 ↗	Total	0
4: 9.8 ↖	9: 9.0 ↘		
5: 9.6 ↗	10: 9.7 ↖		

11: 10.4 ↖	Serie	10
Total		0



1: 10.5 ↗	6: 9.5 ↘	Serie	93
2: 10.3 ↗	7: 9.2 ↖		
3: 10.2 →	8: 9.2 →	Total	93
4: 9.5 →	9: 9.7 →		
5: 9.9 →	10: 9.1 ↖		

11: 10.1 ↘	16: 9.5 ↖	Serie	92
12: 9.0 →	17: 9.3 →		
13: 9.4 ↖	18: 9.4 ↘	Total	185
14: 9.5 ↗	19: 10.1 ↘		
15: 9.2 ↗	20: 9.9 ↖		